

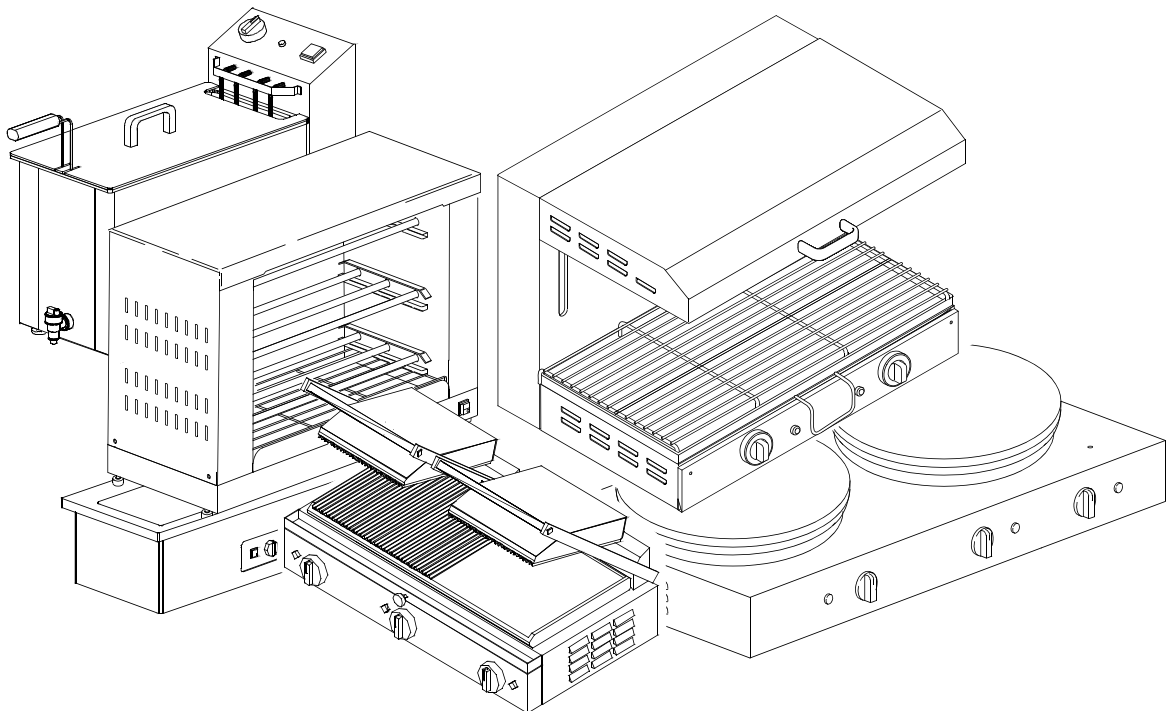
COOKING APPLIANCES

COOKING LINES

TYPE: CT

Accessories
WITHOUT ACCESSORY

Spare parts manual



S/N:

Valid from:..04/2004

Rev.: 4.0

1. Spare parts

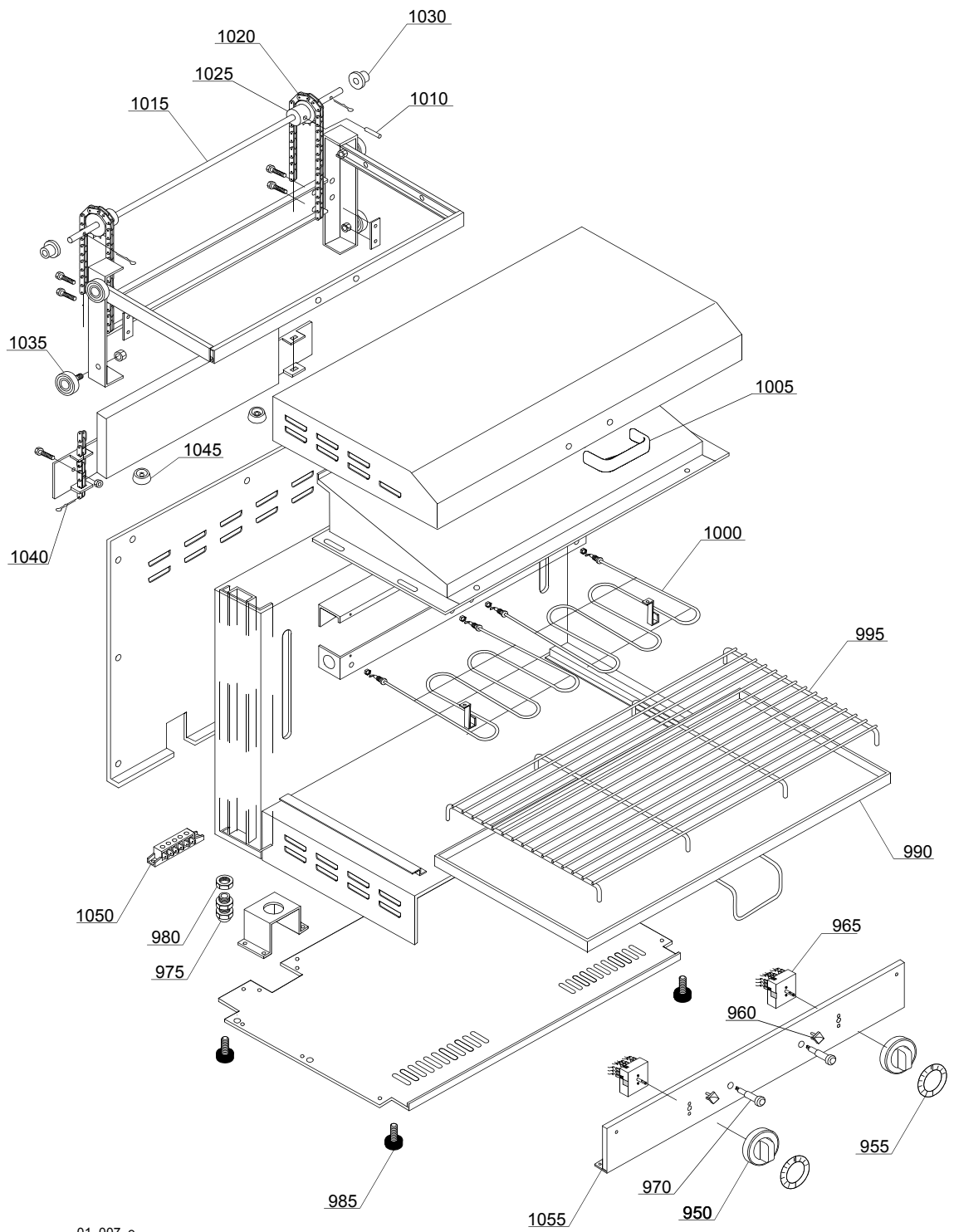
Toaster F6	7
Toaster F60	9
Toaster F60	11
Toaster F12	13
Toaster F120	15
Toaster F120	17
Crepe-X1	19
Crepe-X2	21
Single grill	23
Double grill.....	25
Salamander S1	27
Salamander S2.....	29
Bain Marie BM100-200-300	31
5M-6M/T-8T deep-fryer	33
5+5M-6+6M/T-8+8T deep-fryer	35

1.1 Voltage codes

Voltage code	Voltage
A	3/N/PE~400/230V 50Hz
B	~250V 16A 50Hz
C	3/N/PE~380/220V 50Hz
D	3/PE~200V 50-60Hz
F	2/PE 220-240V 50Hz
G	3/N/PE~415/240V 50Hz
H	3/PE~230V 50Hz
I	3/PE~220V 60Hz
J	3/PE~380 50Hz
K	3/PE~400V 50Hz
L	3/PE~415V 50Hz
M	3/PE~440V 60Hz
N	3/PE~460V 60Hz
O	3/PE~480V 60Hz
P	1/N/PE~220-240V 50Hz
R	2/PE~220-230V 60Hz
S	3/N/PE~400/230V 50Hz
T	3/PE~230V 60Hz

1.2 Product codes

Product code	Full name
Model codes	
Type codes	
50U	50U
50D	50D
50	50
52S	52S
52D	52D
52	52
53S	53S
53D	53D
53	53
54F	54F
54R	54R
54	54
55	55
59	59
CT	CT
BW	BW
Accessory codes	
wa	WITHOUT ACCESSORY



01_007_e

Spare parts

ID	P-code	Model	Type	Accessory	Voltage	Description
MODULE:Salamander S2						
950	9104		BW,CT,54,54R			Black knob
955	9105		BW,CT,54,54R			Silk-screen processed disk
960	9106		BW,CT,54,54R			Knob index
965	9107		BW,CT,54,54R			Energy regulator
970	9108		BW,CT,54,54R			White light
975	9110		BW,CT,54,54R			Cable holder
980	9112		BW,CT,54,54R			Hexagon lock nut
985	9114		BW,CT,54,54R			Small foot
990	9151		BW,CT,54,54R			Gathering tray
995	9152		BW,CT,54,54R			Grid
1000	9153		BW,CT,54,54R			2000W heating element
1005	9154		BW,CT,54,54R			Salamander handle
1010	9155		BW,CT,54,54R			3x40 peg
1015	9156		BW,CT,54,54R			Rod iron
1020	9157		BW,CT,54,54R			Chain 3/8 L=500
1025	9158		BW,CT,54,54R			Shaft 3/8-13
1030	9159		BW,CT,54,54R			Rod iron bush
1035	9160		BW,CT,54,54R			Bearing 10x35x11
1040	9161		BW,CT,54,54R			Split-pin 3,2x30
1045	9162		BW,CT,54,54R			25x10 bumper
1050	9163		BW,CT,54,54R			40A terminal board
1055	9164		BW,CT,54,54R			Control panel S-2