



# ***MUSTER 800 SPLIT***

## **LIST OF THE EXPLODED VIEWS**



*SHELL ASSY*

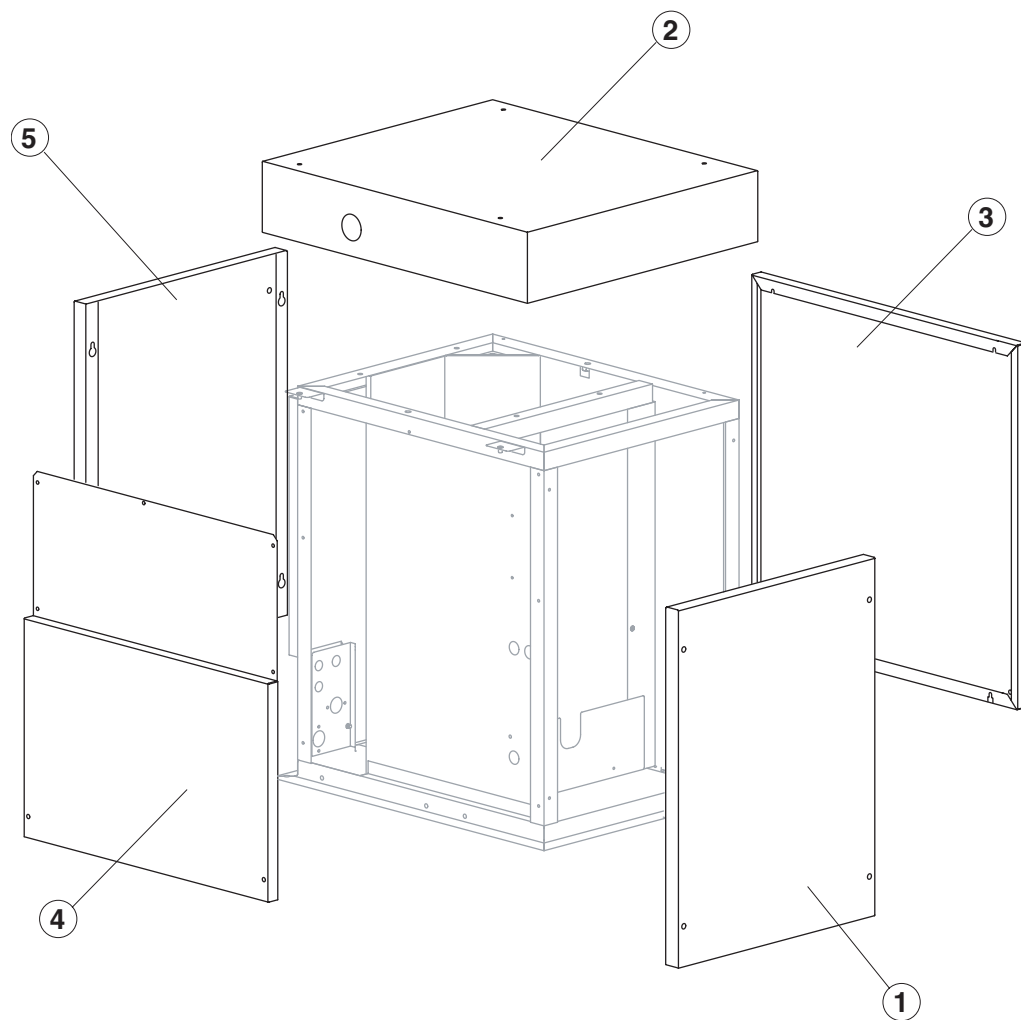
*EVAPORATOR 2nd version*

*EVAPORATOR 1st version*

*PUMP*

*ELECTRIC PARTS*

Rev. 8 - 02/04/2009



<i>Ref.</i>	<i>Spare Description</i>	<i>Code</i>
1	Front Panel	C22474B
2	Top Assembly	C22966
3	Right Side Panel	22445
4	Left Side Panel	22963
5	Rear Panel	22965

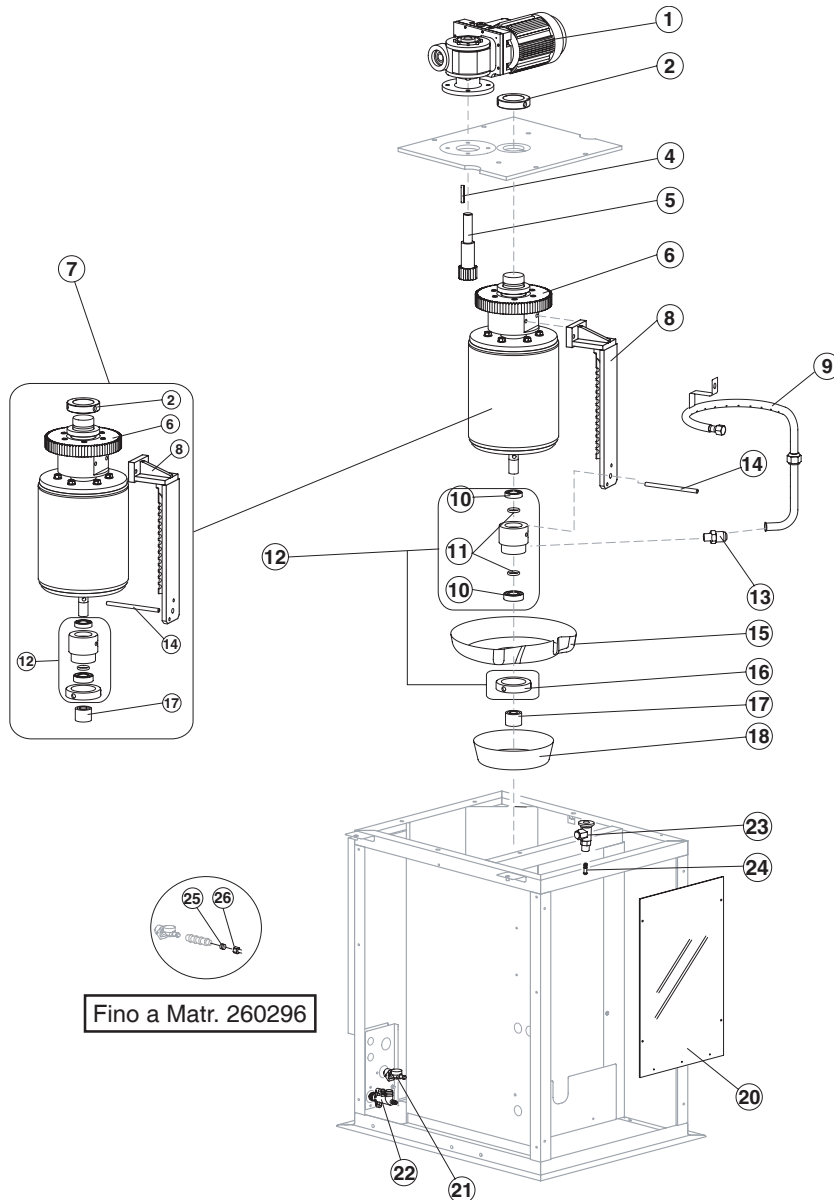


# MUSTER 800 SPLIT

1st version

# EVAPORATOR

Rev. 8 - 02/04/2009



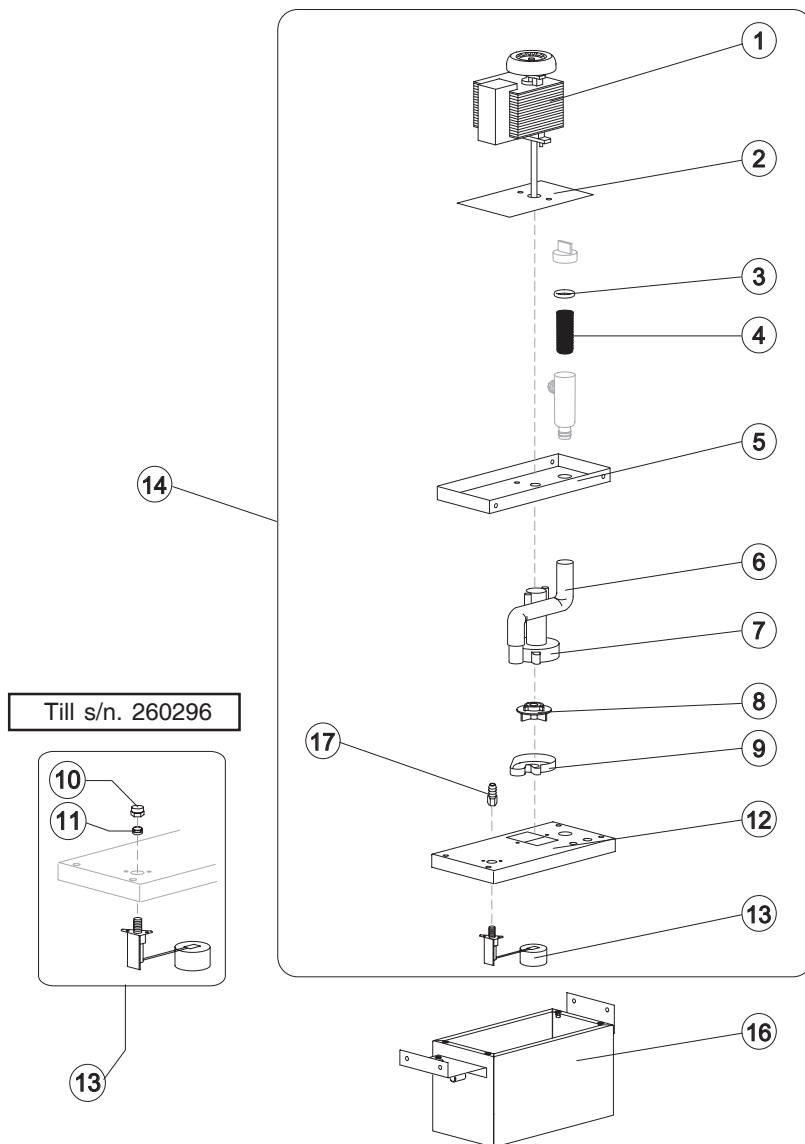
Ref.	Spare Description	Code	
1	Gearmotor Assy	C23412	
2	Cylinder Locking Ring Nut	20365	
3	Evaporator Support Plate	20372	
4	Key 6x6x40	20350	
5	Pinion with Shaft for Gearmotor	C20344	
6	Ring Gear	20363	
7	Evaporator	KITNEVM800	
8	Scraper	20358	
9	Sprayer Ring	C20357	
10	Stainless Steel Bearing	20045	
11	Silicone OR 4081 Ring	20338	
12	Complete Rotating Ring	C10193	
13	Joint	20367	
14	M10 Tie Rod (to Block Scraper)	20369	
15	Rotating Basin	10191	
16	Ring Nut for Rotating Ring	10194	
17	Spacer	20366	
18	Fixed Basin	C10192	
20	Evaporator Chamber Shield	10196	
21	1 Way- Water Inlet Nipple	10368	
22	Discharge Manifold	C10384	
23	Expansion Valve	20734	
24	Orifice	20733	
25	Bush	Till s/n. 260296	20405
26	Nut	Till s/n. 260296	20404



# MUSTER 800 SPLIT

# PUMP

Rev. 8 - 02/04/2009



Ref.	Spare Description	Code
1	Pump	See Table
2	Heat Dissipator	22430
3	Pump Filter Gasket	13080
4	Filtering Element	20254
5	Pump Motor Support	10161
6	Pump-Filter Connection Pipe	13084
7	Pump Body	10065
8	Pump Impeller	10138
9	Diffusor	10067
10	Nut	Till s/n. 260296 20404
11	Bush	Till s/n. 260296 20405
12	Water Pump Basin Cover	22420
13	Floating Valve	Current Version 10188
13	Floating Valve assy	Till s/n. 260296 C10188
14	Pump and Filter Assy	See Table
16	Water Pump Basin	C22443
17	Connection	20799

### Ref. 1 - Pump

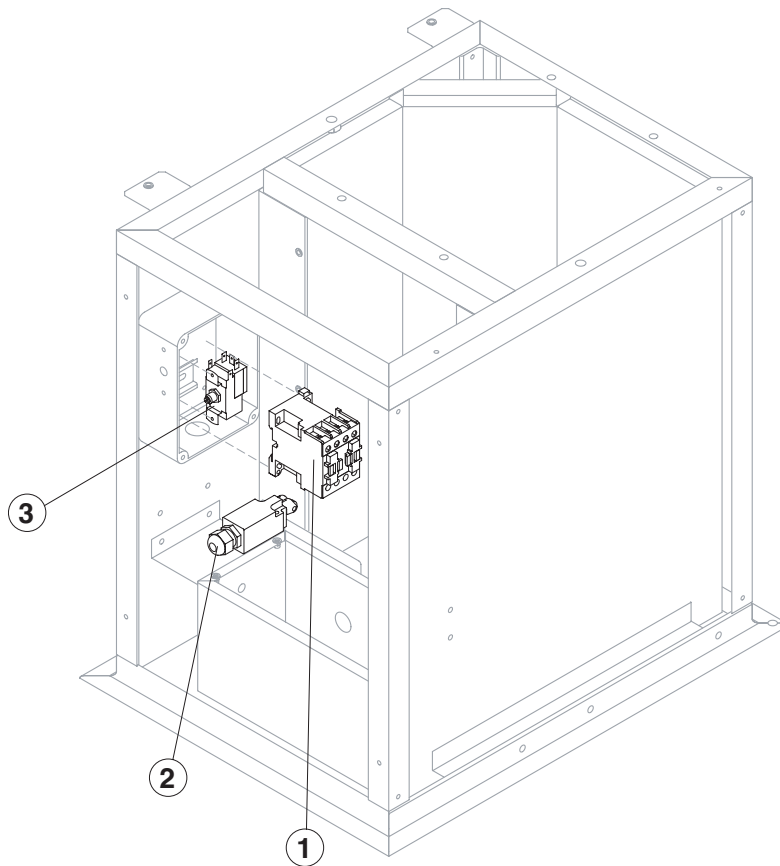
Tension	Code
T11	23073
T12	23187

### Ref. 14 - Pump and Filter Assy

Tension	Code	Till Oct. 31st, 2007
T11	C26738	C26711
T12	C26739	C26712



Ref. 14 - For ice-makers with s/n. before 260297 ask also the Nut (ref. 10) and the Bush (ref. 11).



Ref.	Spare Description	Code
1	Contactor	23594
2	Microswitch for Overflow Ice	23746
3	Bin Thermostat	R23005