

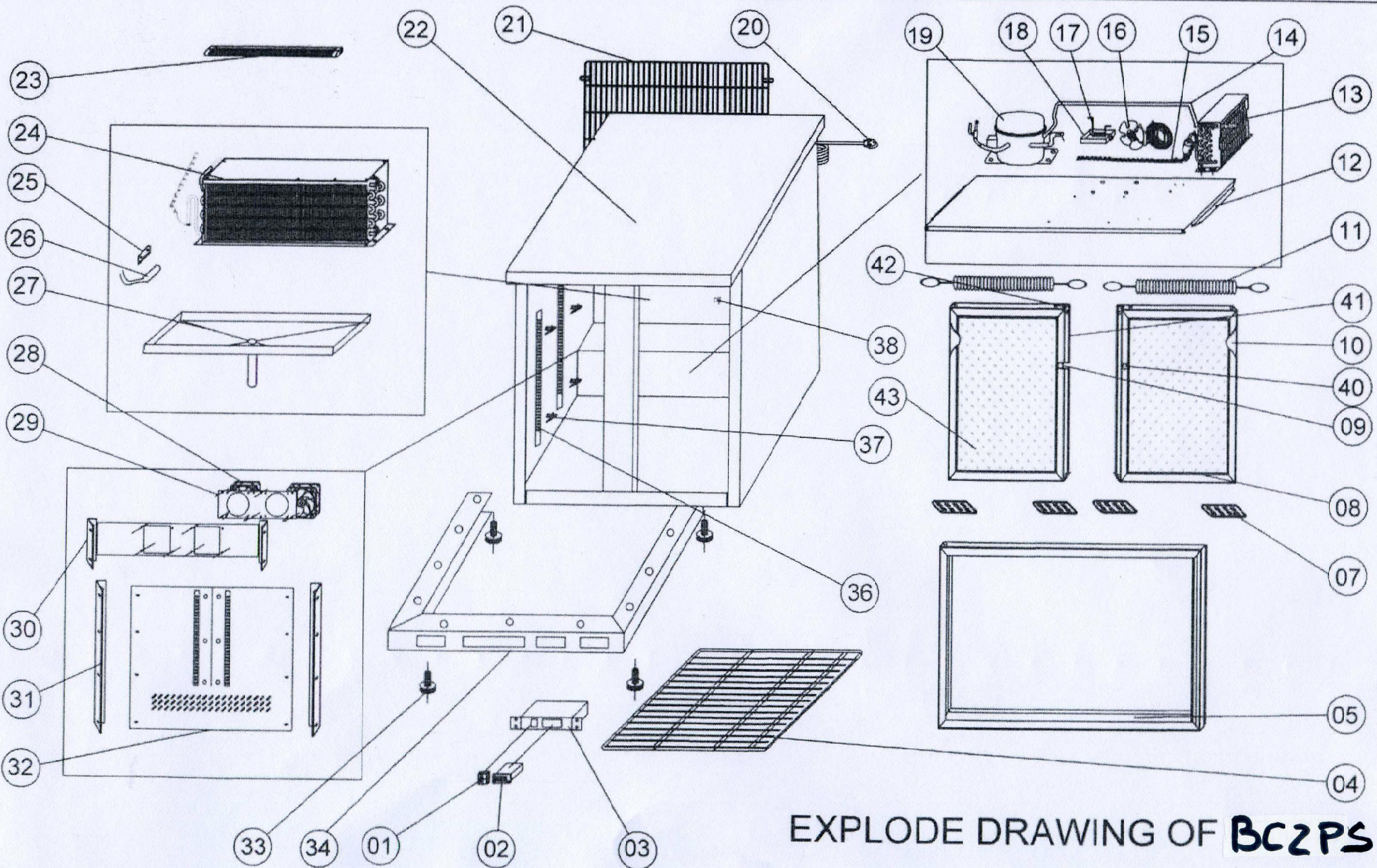


Kühlung Flaschen-Kühlschränke

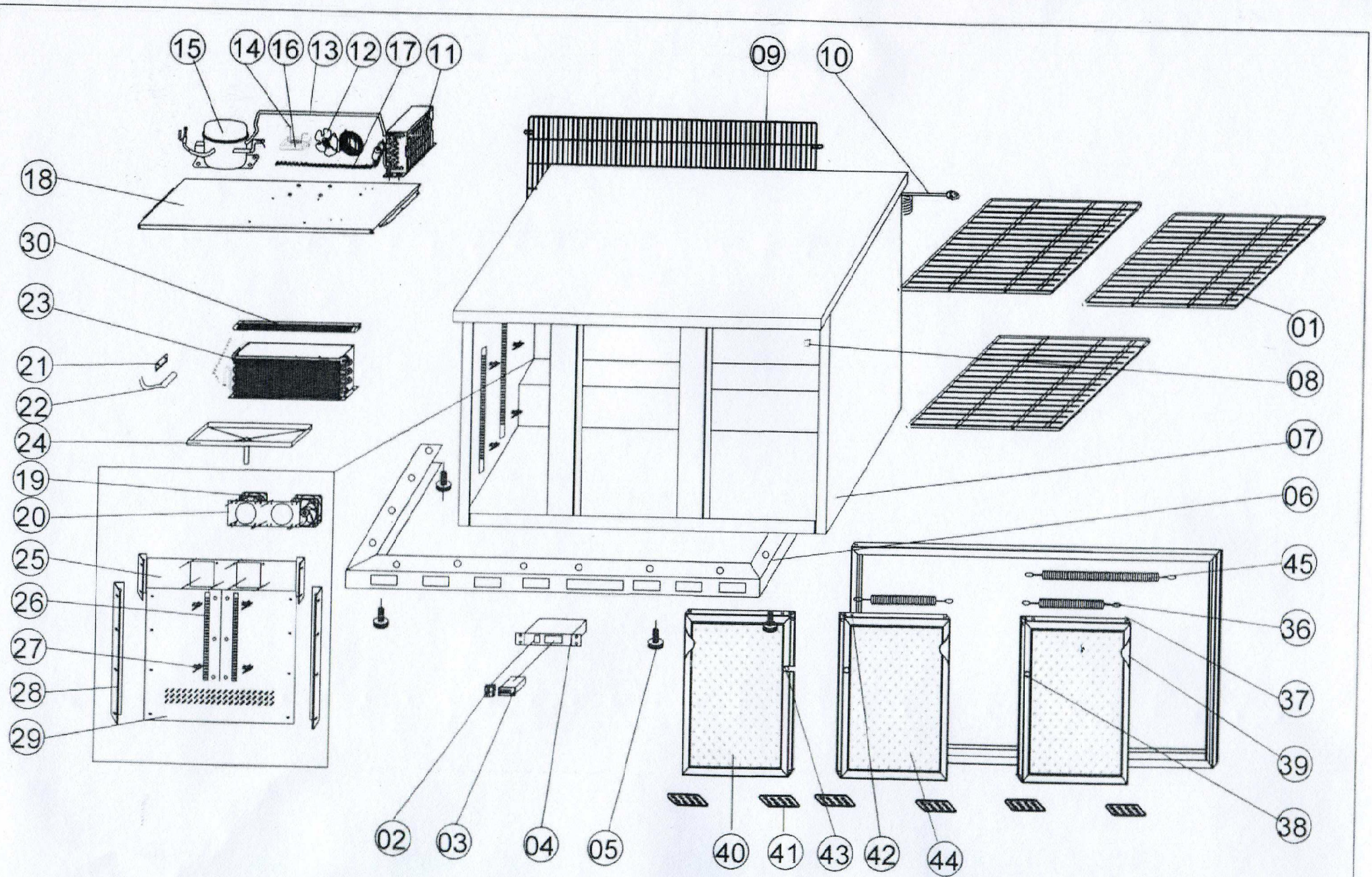
Artikel-Nr. 625002 (BC2PS), 625003 (BC3PS)

Explosionszeichnung / Ersatzteile

Bitte bei Ersatzteilbestellung immer Seriennummer mit angeben!



EXPLODE DRAWING OF **BC2PS**



EXPLODE DRAWING OF **BC3PS**

SPARE PARTS LIST OF BC2PS

NO.	CODE	NAME	MODEL	QUY.
01	S900.01	MAIN SWICH		1PC
02	BC2100.18	THERMOSTAT		1PC
03	SC150G.03	THERMOSTAT BOX		1PC
04	SC150G.01	SHELF		2PCS
05	SC250SD.03	DOOR FRAME		1PC
07	SC150SD.05	DOOR WHEEL		4PCS
08	SC250SD.02	BACK DOOR		1PC
09	SC150SD.08	LOCK HOOK		1PC
10	SC150SD.04	HANDLE		1PC
11	SC250SD.04	DOOR SPRING		1PC
12	SC150G.10	UNIT BOARD		1PC
13	SC150G.06	CONDENSER		1PC
14	SC150G.08	SUCTION PIPE		1PC
15	S900.43	CAPILLARY		1PC
16	SC150G.07	CONDENSER FAN		1PC
17	SC150G.09	EVAPORATE PIPE		1PC
18	GN2100TN.11	WATER BOX		1PC
19	VRX.18	COMPRESSOR		1PC
20	S900.47	PLUG		1PC
21	SC150G.05	UNIT COVER		1PC

22	SC250G.03	BODY		1PC
23	SC250G.10	LAMP		1PC
24	SC150G.13	EVAPORATOR		1PC
25	GN650TN.17	PROBE PADDING		1PC
26	S900.32	SENER		2PCS
27	SC150G.14	EVAPORATOR WATER PAN		1PC
28	S900.34	CIRCUIT FAN		2PCS
29	KC4.15	CIRCUIT FAN SUPPORT		1PC
30	SC150G.16	SHORT SUPPORT		2PCS
31	SC150G.18	LONG SUPPORT		2PCS
32	SC250G.18	EVAPORATOR COVER		1PC
33	S900.13	FEET		4PCS
34	SC250G.02	PEDESAL		1PC
35	SC150.22	HANDLE		1PC
36	SC150.15	SHELF SUPPORT		4PCS
37	G350.08	SHELF CLIP		8PCS
38	BC2100.12	LIGHT SWITCH		1PC
40	SC150SD.08	LOCK		1PC
41	SC150SD.07	GASKET		1PC
42	SC150SD.02	SPRING CLIP		1PC
43	SC250SD.01	FRONT DOOR		1PC

SPARE PARTS LIST OF BC3PS

NO.	CODE	NAME	MODEL	QUY.
01	SC315G.01	SHELF		6PCS
02	BD2100.18	THERMOSTAT		2PCS
03	S900.01	MAIN SWITCH		1PC
04	SC150G.03	THERMOSTAT BOX		1PC
05	S900.13	FEET		1PC
06	SC315G.02	PEDESAL		6PCS
07	SC315G.03	BODY		1PC
08	BC2100.12	LIGHT SWITCH		1PC
09	SC315G.04	UNIT COVER		1PC
10	SC315G.04	PLUG		1PC
11	SC150G.06	CONDENSER		1PC
12	SC150G.07	CONDENSER FAN		1PC
13	SC315G.05	SUCTION PIPE		1PC
14	SC150G.09	EVAPORATE PIPE		1PC
15	S900.41	COMPRESSOR		1PC
16	GN2100TN.11	WATER BOX		1PC
17	S900.43	CAPILLARY		1PC
18	SC250G.06	UNIT BOARD		1PC
19	S900.34	CIRCUIT FAN		2PCS
20	SC315G.06	CIRCUIT FAN BOARD		1PC
21	GN650TN.17	PROBE PADDING		1PC

22	S900.32	SENSOR		2PCS
23	SC150G.13	EVAPORATOR		1PC
24	SC150G.14	EVAPORATOR WATER PAN		1PC
25	SC150G.15	SHORT SUPPORT		2PCS
26	SC150G.16	SHELF SUPPORT		12PCS
27	G350.08	SHELF CLIP		24PCS
28	SC150G.18	LONG SUPPORT		2PCS
29	SC315G.07	EVAPORATOR COVER		1PC
30	SC250G.10	LAMP		1PC
31	SC315SD.1	DOOR FRAME		1PC
36	SC315SD.2	BACK DOOR SPRING		1PC
37	SC150SD.02	SPRING CLIP		3PCS
38	SC150SD.03	LOCK HOOK		1PC
39	SC150SD.04	HANDLE		3PCS
40	SC315SD.03	BACK DOOR		1PC
41	SC150SD.06	DOOR WHEEL		6PCS
42	SC150SD.07	GASKET		3PCS
43	SC150SD.08	LOCK		2PCS
44	SC315SD.04	FRONT DOOR		1PC
45	SC315SD.05	FRONT DOOR SPRING		1PC