

**LAVASTOVIGLIE INDUSTRIALI**  
**INDUSTRIAL DISHWASHER**  
**LAVE-VAISSELLE INDUSTRIELS**  
**INDUSTRIEGESCHIRRSPÜLES**  
**LAVAVAJILLAS INDUSTRIALES**

**LC100E**



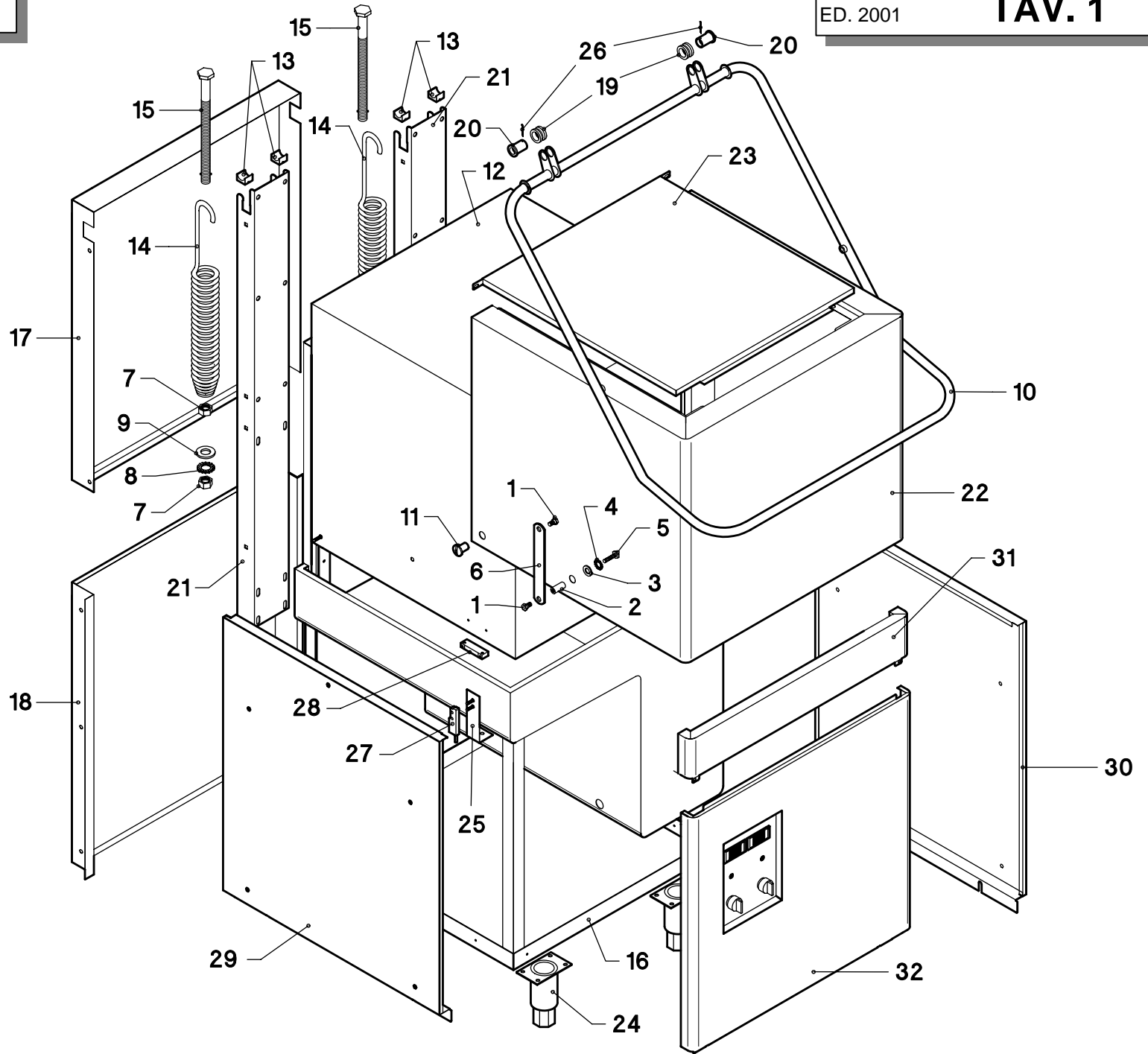
*MANUALE DI RICAMBI*

**SPARE PARTS**

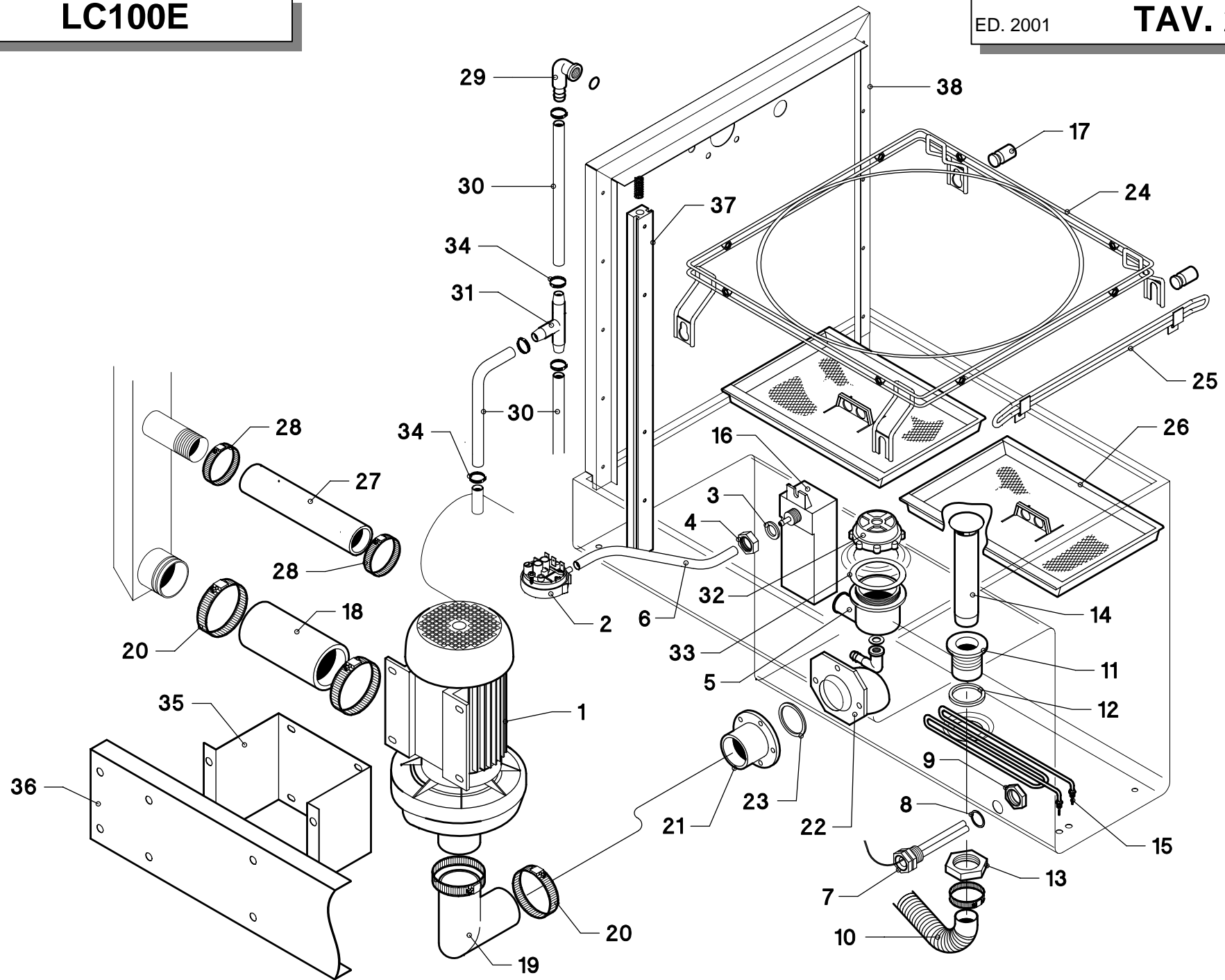
*CATALOGUES PIÈCES*

**ERSATZTEILEKATALOG**

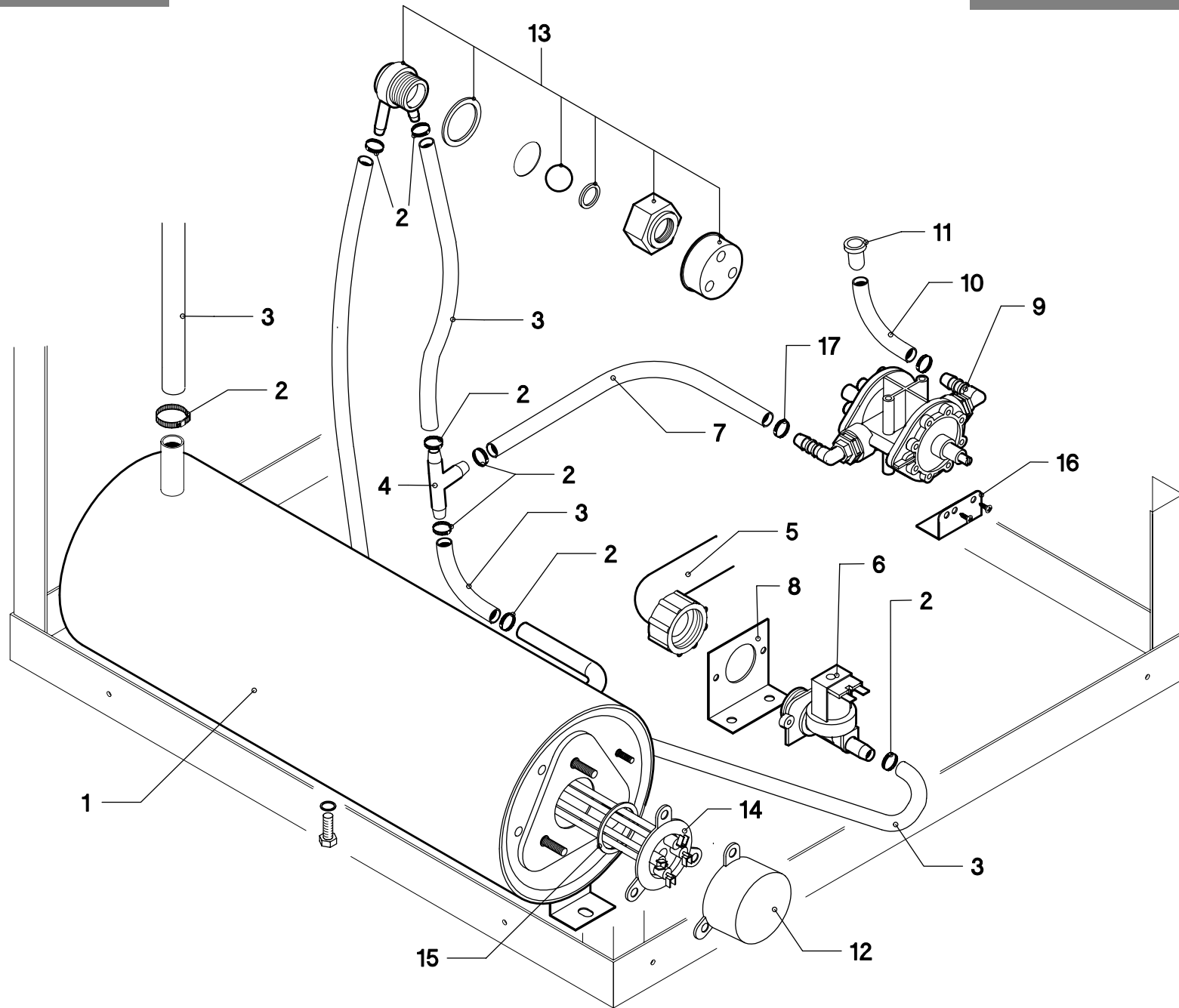
*CATÁLOGO DE REPUESTOS*



<i>Pos.</i>	<i>COD.</i>	<i>COD.</i>	<i>Q.tà</i>	<i>DESCRIZIONE</i>	<i>DENOMINATION</i>	<i>DESCRIPTION</i>	<i>BEZEICHNUNG</i>	<i>DESCRIPCIÓN</i>
1	36G9030	904771	4	PERNO SNODO	PIVOT A GENOU	JOINT PIN	GELENKBOLZEN	PERNO
2	36G9040	900514	2	BUSSOLA PER SNODO	DOUILLE	BEARING	BUCHSE	BRÚJULA
3		906050	2	RONDELLA PIANA	RONDELLE	WASHER	UNTERLEGSSCHEIBE	ARANDELA
4		905940	2	RONDELLA GROWER Ø8	RONDELLE	WASHER	UNTERLEGSSCHEIBE	ARANDELA GROWER
5		907820	2	VITE M8X12	VIS	SCREW	SCHRAUBE	TORNILLO
6		904930	2	PIASTRINA	PLAQUETTE	PLATE	PLATTEKEN	PLACA
7		902022	4	DADO M10	ECROU	NUT	MUTTER	TUERCA
8		905941	2	RONDELLA GROWER Ø10	RONDELLE	WASHER	UNTERLEGSSCHEIBE	ARANDELA GROWER
9		906055	2	RONDELLA PIANA Ø10	RONDELLE	WASHER	UNTERLEGSSCHEIBE	ARANDELA
10		903903	1	MANIGLIONE	POIGNEE	HANDLE	HANDRIFF	MANIJA
11		907785	2	VITE INOX M6 FEMMINA	VIS FEMELLE	FEMALE SCREW	WEIBLICHE SCHRAUBE	TORNILLO FEMENINO
12		901830	1	CAPOTE	CAPOTE	HOOD	GEHAUSE	CAPOTE
13		900311	4	BOCCOLA MANIGLIONE	BOUCLE	BUSH	BESCHLAG	BOCOLA
14	36G8870	904133	2	MOLLA SOLLEV. CAPOTE	RESSORT	SPRING	FEDER	RESORTE
15		907222	2	TIRANTE MOLLA	TIRANT	CONNECTING ROD	ZUGSTAB	VARILLA RESORTE
16		900302	1	BASAMENTO	SOCLE	BASE	UNTERSTRUKTUR	BASE
17		904662	1	PANNELLO POSTER. SUPERIORE	PANNEAU POSTER. SUPÉRIEUR	UPPER BACK PANEL	OBERER HINTERE VERKLEIDUNG	PANEL POSTERIOR SUPERIOR
18		904663	1	PANNELLO POSTER. INFERIORE	PANNEAU POSTER. INFÉRIEUR	LOWER BACK PANEL	UNTERE HINTERE VERKLEIDUNG	PANEL POSTERIOR INFERIOR
19	36H0450	906066	2	ROTELLA SUPPORTO MOLLA	GALET PIVOTANT	SMALL WHELL	RADCHEN	RUEDA DE SOPORTE RESORTE
20	36C3560	904796	2	PERNO ROTELLA	PIVOT D'ACCROCHAGE	HOOKING PIN	KUPPLUNGSBOLZEN	PERNO
21		908126	2	LONGHERONE DX-SX	LONGERON	BACK STAY	LANGSTRAGER	LARGUERO DX-SX
22		900986	1	COPERTURA CAPOTE	COUVERCLE CAPOTE	HOOD COVER	GEHASE DECKEL	COBERTURA CAPOT
23		901821	1	PANNELLO SUPERIORE	PANNEAU SUPERIEUR	UPPER SIDE PANEL	OBERE VERKLEIDUNG	PANEL SUPERIOR
24		TR0299	4	PIEDINO REGOLABILE	PETIT PIED RÉGABLE	RUBBER LEG	EINSTELLBARESOCKEL	PIÉ REGULABLE
25		906622	1	SQUADRETTA	PALIER	BEARING	TRÄGE	ANGULAR
26		907773	2	COPIGLIA 2x30	COUPILLE	SPLIT PIN	SPLINT	CLAVIJA
27		TR0666	1	REED MAGNETICO	REED	REED	REED	REED MAGNÉTICO
28		TR0220	1	MAGNETE	MAGNÉTO	MAGNET	MAGNET	IMÁN
29		904449	1	PANNELLO LATERALE SX	PANNEAU GAUCHE	LEFT PANEL	LINKE VERKLEIDUNG	PANEL IZQUIERDO LATERAL
30		904447	1	PANNELLO LATERALE DX	PANNEAU DROITE	RIGHT PANEL	RECHTE VERKLEIDUNG	PANEL DERECHO LATERAL
31		901822	1	PANNELLO FRONTALE	PANNEAU FRONTAL	FRONT PANEL	FRONT VERKLEIDUNG	PANEL FRONTAL
32		908644	1	PANNELLO COMANDI	TABLEAU COMMANDE	ELECTRIC PANEL	SCHALTAFEL	PANEL DE COMANDO



Pos.	COD.	COD.	Q.tà	DESCRIZIONE	DENOMINATION	DESCRIPTION	BEZEICHNUNG	DESCRIPCIÓN
1		902309	1	POMPA HP 1,5	POMPE	PUMP	PUMPE	BOMBA
2	32V1870	905275	1	PRESSOSTATO	PRESSOSTAT	PRESSURE SWITCH	DRUCHWAECHTE	PRESOSTATO
3		903260	1	GUARNIZIONE 3/8" GAS	JOINT	GASKET	DICHTUNG	GUARNICIÓN
4		902100	1	GHIERA 3/8" GAS	VIROLE	LOCK NUT	NUT MUTTER	ABRAZADERA
5		900049	1	MOZZO INFERIORE	MOYEU INFERIEUR	LOWER HUB	UNTERENABE	BUJE INFERIOR
6		907279	1	TUBO PRESSOSTATO	TUYAU PRESSOSTAT	PRESSURE SWITCH PIPE	SCHLAUCH	TUBO PRESÓSTATO
7		TR0298	1	PORTABULBO	SIEGE DE BULBE	SEATING BULB	KUGEL SITZ	PORTABULBO
8	37Q2840	903250	1	GUARNIZIONE 1/2" GAS	JOINT	GASKET	DICHTUNG	GUARNICIÓN
9	33Q3690	902061	1	GHIERA 1/2" GAS	VIROLE	LOCK NUT	NUT MUTTER	ABRAZADERA
10	36U0730	907450	1	TUBO DI SCARICO	TUYAU DE DÉCHARGÉ	OUTLET HOSE	ABLAUFSCHLAUCH	TUBO DESAGOTE
11	33Q2290	905450	1	RACCORDO SCARICO	RACCORD DÉCHARGÉ	PIPE FITTING FOR OUTLET	ABLAUFANSCHLUSS	EMPALME DESAGOTE
12	3151930	904380	1	O-RING	O-RING	O-RING	O-RING	O-RING
13	33Q2160	902080	1	GHIERA 1" ¼ GAS	VIROLE	LOCK-NUT	NUT MUTTER	ABRAZADERA
14	33D1550	TR1039	1	TROPPO PIENO	NIVEAU	OVER FLOW	VEBERLAUF	DAMISIADO LLENO
15	32G2590	905748	1	RESISTENZA 3000W	RESISTANCE	HEATING ELEMENT	HEIZKÖRPER	RESISTENCIA
16	33D1390	TR0268	1	TRAPPOLA ARIA	RESERVOIR AIR	AIR TRAP	LUFTFALLE	TRAMPA DEL AIRE
17		903444	4	PERNO BLOCCA CESTELLO	PIVOT	UPPER BACK PANEL	KUPPLUNG	PERNO
18	33M1330	TR0475	1	MANICOTTO MANDATA	MANCHON DE REFAULEM.	OUTLET ELBOW	AUSLAMUFFE	PALANCA DE MANDO
19	33M1320	903704	1	MANICOTTO ASPIRAZIONE	MANCHON D'ASPIRATION	INLET ELBOW	ANSAUGMUFFE	PALANCA DE ASPIRACIÓN
20		902490	4	FASCETTA Ø 58÷75	COLLIER	CLAMP	SHELLE	ABRAZADERA
21	33Q4210	901653	1	RACCORDO ASPIRAZIONE	RACCORD D'ASPIRATION	INTAKE PIPE FITTING	ANSAUGANSCHLUSSE	EMPALME DE ASPIRACIÓN
22	33Q4290	TR0977	1	RACCORDO ASPIRAZIONE	RACCORD D'ASPIRATION	INTAKE PIPE FITTING	ANSAUGANSCHLUSSE	EMPALME DE ASPIRACIÓN
23	3152390	904395	1	O-RING	O-RING	O-RING	O-RING	O-RING
24		901679	1	TELAIO PORTACESTELLI	CHASSIS PORTE PANIER	TRACK	FÜHRUNG	BASTIDOR
25		901672	2	GUIDA PER CESTELLI	COULISSE PANIER	BASKET GUIDE	KORBUFÜHRUNG	GUIA PARA CANASTOS
26		902633	2	FILTRO SUPERFICIE INOX	FILTRE INOX	FILTER INOX	FILTER INOX	FILTRO EN SUPERFICIE INOX
27		908712	1	TUBO GIUNZIONE	TUYAU	PIPE	SCHLAUCH	TUBO
28		902441	2	FASCETTA Ø 38÷50	COLLIER	CLAMP	SHELLE	ABRAZADERA
29		905453	1	RACCORDO A GOMITO	RACCORD	PIPE FITTING	ANSCHLUSS	EMPALME A CODO
30		907295	3	TUBO GOMMA 12 x 19,5	TUYAU EN CAOOUTCHOUC	RUBBER HOSE	GUMMISCHLAUCH	TUBO GOMA
31	36G9050	905382	1	RACCORDO A "T"	RACCORD	PIPE FITTING	ANSCHLUSS	ENLACE
32		900050	1	GHIERA 2" ¼ GAS	VIROLE	LOCK-NUT	NUT MUTTER	ABRAZADERA
33		TR2448	1	GUARNIZIONE	JOINT	GASKET	DICHTUNG	GUARNICIÓN
34		902440	5	FASCETTA Ø 13÷20	COLLIER	CLAMP	SHELLE	ABRAZADERA
35		906349	1	SUPPORTO POMPA	SUPPORT POMPE	PUMP SUPPORT	PUMPE TRÄGER	SOPORTE BOMBA
36		906357	1	TRAVERSA SUPP. POMPA COMPL.	SUPPORT POMPE	PUMP SUPPORT	PUMPE TRÄGER	SOPORTE BOMBA
37		901687	1	GUIDA SCORRIMENTO	GUIDE D'ECOULEMENT	SLIDING RAIL	FÜHRUNG	GUIA DESLIZAMIENTO
38		908099	1	SCHIENALE	STRUCURE POSTERIEUR	BACK FRAME WORK	GEFÜGE	RESPALDO

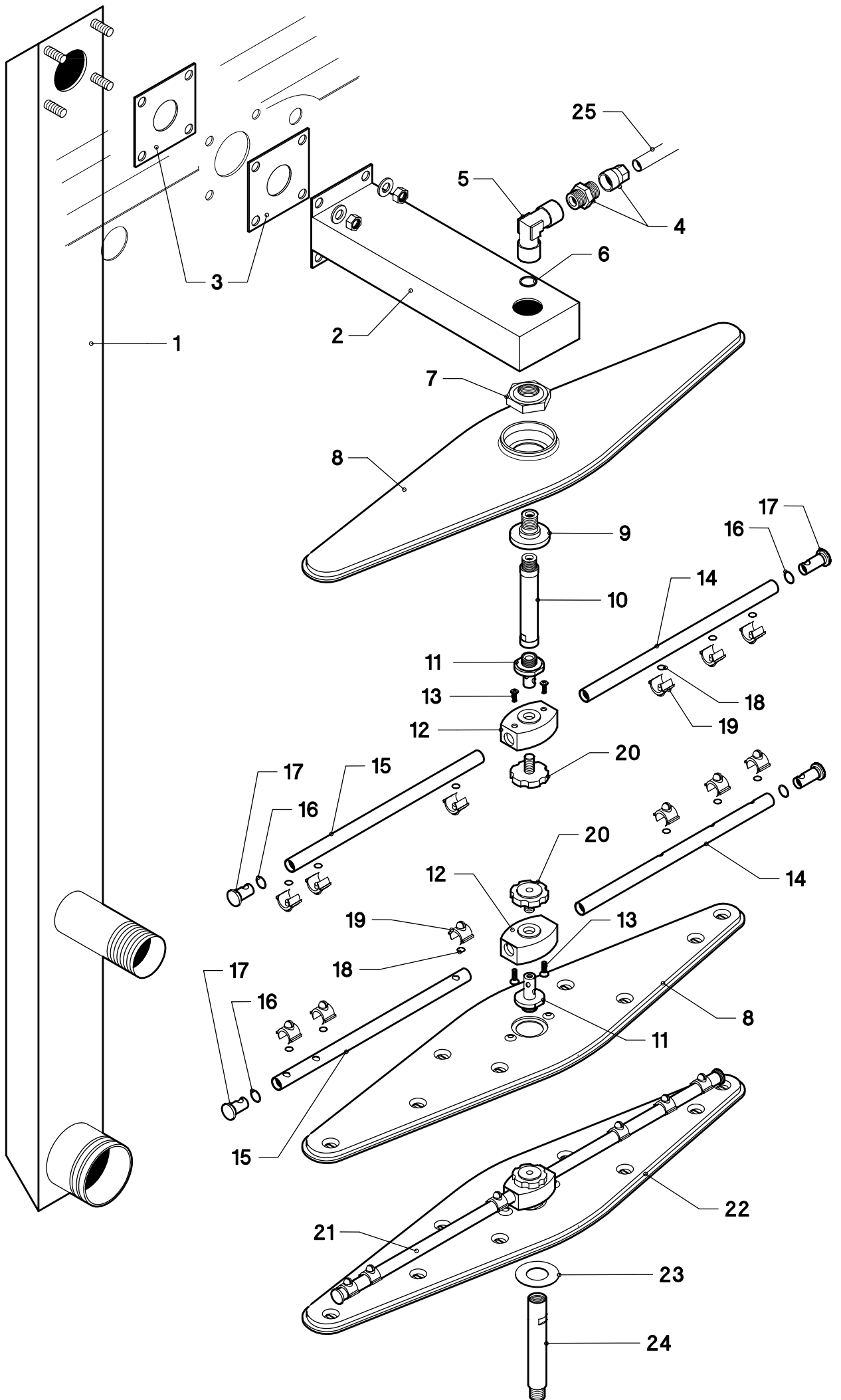


Pos.	COD.	COD.	Q.tà	DESCRIZIONE	DENOMINATION	DESCRIPTION	BEZEICHNUNG	DESCRIPCIÓN
1	34A1960	900931	1	BOILER	CHAUFFE EAU	BOILER	HEISSWASSERSPEICHER	BOILER
2		902440	7	FASCETTA Ø 13÷20	COLLIER	CLAMP	SHELLE	ABRAZADERA
3	33M1300	907295	4	TUBO GOMMA 12 x 19,5	TUYAU EN CAOUTCHOUC	RUBBER HOSE	GUMMISCHLAUCH	TUBO GOMA
4	33Q3070	905381	1	RACCORDO A "T" PER DOSATORE	RACCORD DOSEUR	PIPE FITTING FOR DOSING	ANSCHLUSSE	EMPALME DOSIFICADOR
5	36U0720	907345	1	TUBO CARICO ACQUA	TUYAN D'ENTRÉE DE L'EAU	INLET PIPE	WASSERZUFÜHRROHR	TUBO
6	33D2310	902390	1	ELETTRIVALVOLA	SOUPAPE ELECTRIQUE	ELECTRIC VALVE	ELEKTROVENTIL	VALVULA ELETRICA
7	33M1310	907359	1	TUBO GOMMA 8 x 15	TUYAU EN CAOUTCHOUC	RUBBER HOSE	GUMMISCHLAUCH	TUBO GOMA
8	35P1560	906365	1	SUPPORTO ELETTRIVALVOLA	PALIER SOUPAPE ELECTRIQUE	BEARING ELECTRIC VALVE	TRÄGE ELEKTROVENTIL	SOPORTO VALVULA ELETRICA
9	33D2300	902199	1	DOSATORE	DOSEUR	DOSING DEVICE	DOSIERSATZ	DOSIFICADOR
10	111AA09	907270	1	TUBO 4 x 7	TUYAU	PIPE	SCHLAUCH	TUBO
11	30Q1430	902568	1	FILTRO DOSATORE	FILTRE DOSEUR	FILTER FOR DOSING	FILTER	FILTRO DOSIFICADOR
12	35U1440	TR0594	1	PROTEZIONE RESISTENZA	CAPUCHON	HEATING ELEMENT PROT.	HEISSTABKAPPE	PROTECCIÓN RESISTENCIA
13	33D2330	TR2433	1	VALVOLA ANTIRIFLUSSO	VALVE	VALVE	VENTIL	VALVULA
14	32G2580	TR0340	1	RESISTENZA 6000W	RESISTANCE	HEATING ELEMENT	HEIZKÖRPER	RESISTENCIA
15	3152160	907981	1	O-RING	O-RING	O-RING	O-RING	O-RING
16		906366	1	SUPPORTO DOSATORE	SUPPORT DOSEUR	DOSING DEVICE SUPPORT	DOSIER TRÄGER	SOPORTE DOSIFICADOR
17		902439	1	FASCETTA Ø 11÷17	COLLIER	CLAMP	SHELLE	ABRAZADERA

TAV. 4

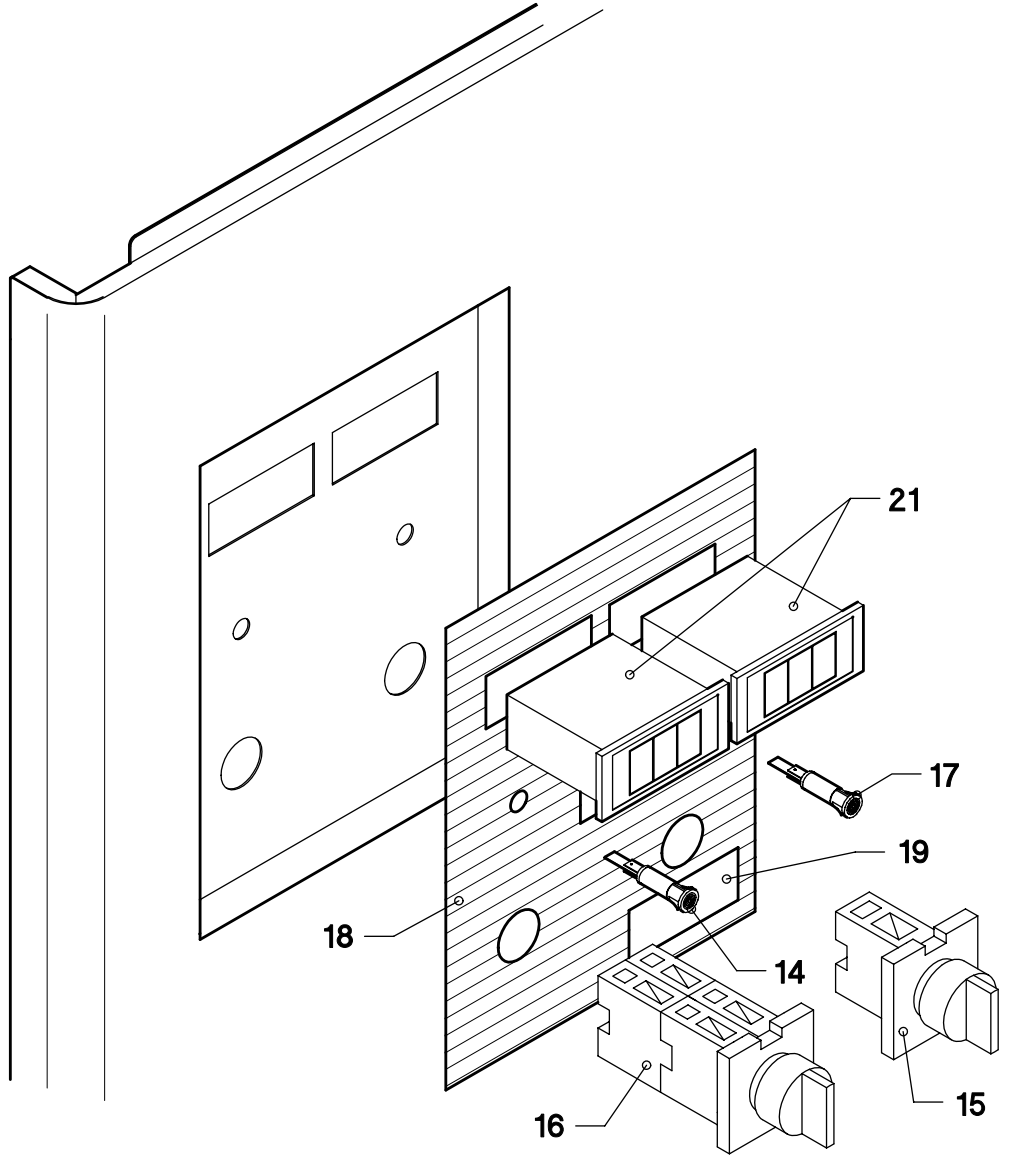
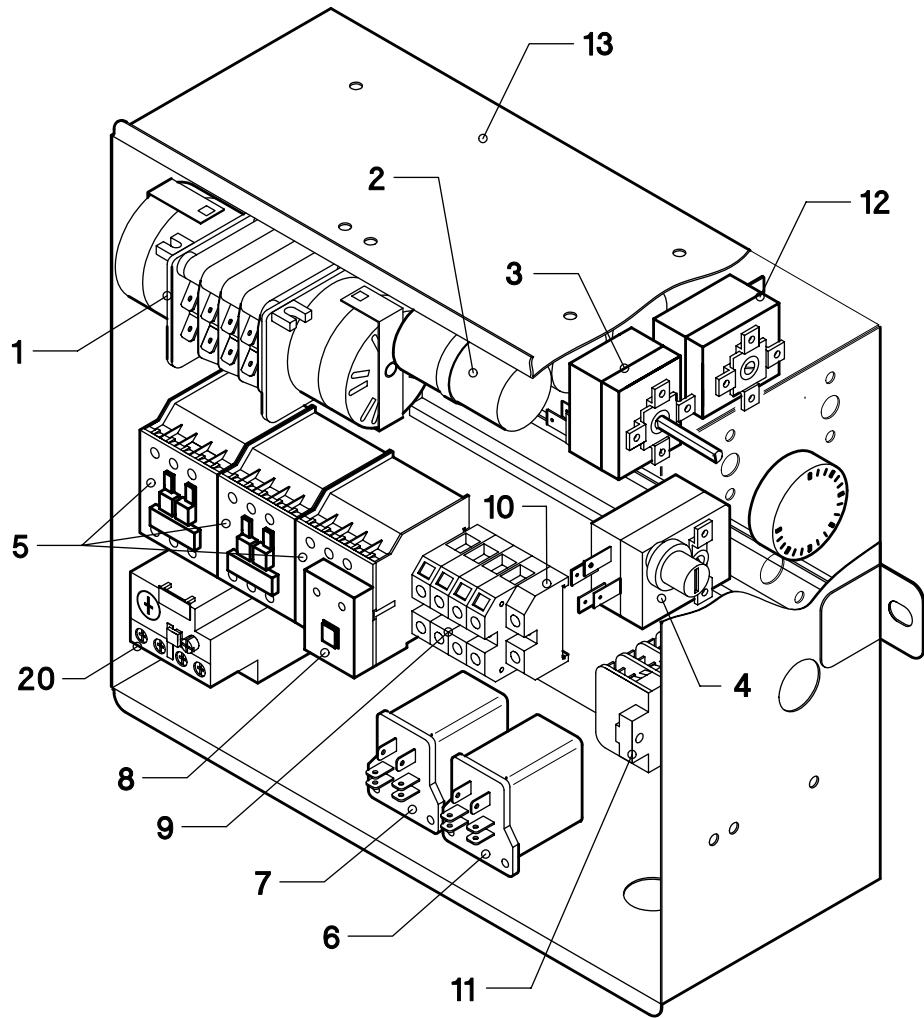
ED. 2001

LC100E - LC130 - LC100E PKL





<b>Pos.</b>	<b>COD.</b>	<b>COD.</b>	<b>Q.tà</b>	<b>DESCRIZIONE</b>	<b>DENOMINATION</b>	<b>DESCRIPTION</b>	<b>BEZEICHNUNG</b>	<b>DESCRIPCIÓN</b>
1		901719	1	COLONNA LAVAGGIO	COLONNE DE LAVAGE	WASHING PIPE	SPÜLUNG SAÜLE	COLUMNA LAVADO
2		901718	1	BRACCIO LAVAGGIO	BRAS DE LAVAGE	WASHING ARM	WASCHLAUFRAD	BRAZO LAVADO
3	3151900	903381	2	GUARNIZIONE	JOINT	GASKET	DICHTUNG	GUARNICIÓN
4	33Q4280	908121	1	RACCORDO CON OGIVA	RACCORD	PIPE FITTING	ANSCHLUSSE	EMPALME
5		908120	1	RACCORDO A GOMITO	RACCORD	PIPE FITTING	ANSCHLUSS	EMPALME A CODO
6	37Q4200	903351	1	GUARNIZIONE	JOINT	GASKET	DICHTUNG	GUARNICIÓN
7	36G8720	902890	1	GHIERA BLOCCAGGIO	FRETTE DE BLOCAGE	RING-NUT	KLEMMUTTER	ABRAZADERA BLOQUEO
8	36G9100	902960	2	GIRANTE LAVAGGIO	BRAS DE LAVAGE	WASH ARM	SPÜLLARM	RODETE LAVADO
9	36G9110	902891	1	MOZZO GIRANTE LAVAGGIO	MOYEU	HUB	NABE	BUJE RODETE LAVADO
10	36G9120	904750	1	PERNO LAVAGGIO SUPERIORE	TOURILLON DE LAVAGE SUPERIEUR	UPPER WASHING PIN	OBERER WASCHSTIFF	PERNO LAVADO SUPERIOR
11	36G9060	904760	2	PERNO RISCIAACQUO	TOURILLON DE RINÇAGE	RINSE PIN	SPÜLLSTIFT	PERNO ENJUAGUE
12	36G8550	904292	2	MOZZO GIRANTE RISCIAACQUO	MOYEU	HUB	NABE	BUJE RODETE ENJUAGUE
13	31C0070	907651	4	VITE TPS M 4x8	VIS	SCREW	SCHRAUBE	TORNILLO
14	35X4860	954806	2	BRACCIO RISCIAACQUO DX	BRAS DE RINÇAGE DROITE	RIGHT RINSE ARM	RECHTE SPÜLLAUFRAD	BRAZO ENJUAGUE DERECHO
15	35X4870	954807	2	BRACCIO RISCIAACQUO SX	BRAS DE RINÇAGE GAUCHE	LEFT RINSE ARM	LINKE SPÜLLAUFRAD	BRAZO ENJUAGUE IZQUIERDO
16	3152180	904321	4	O-RING	O-RING	O-RING	O-RING	O-RING
17	36U0680	906450	4	TAPPO PER BRACCIO RISCIAACQUO	BOUCHON BRAS DE RINÇAGE	PLUG FOR RINSE ARM	VERSCHLUSS SPÜLLAUF	TAPÓN PARA BRAZO ENJUAGUE
18	3152400	904388	12	O-RING	O-RING	O-RING	O-RING	O-RING
19	33T2940	902816	12	GETTO RISCIAACQUO	JET DE RINÇAGE	RINSING JET	SPÜLLDUSE	CHORRO ENJUAGUE
20	33Q3710	902880	2	GHIERA BLOCCAGGIO	FRETTE DE BLOCAGE	RING-NUT	KLEMMUTTER	ABRAZADERA BLOQUEO
21	30Z1491	903017	2	GIRANTE RISCIAACQUO COMP.	BRAS DE RINÇAGE COMPL.	COMPL. RINSE ARM	SPÜLLSTIFT KOMPL.	RODETE ENJUAGUE COMP.
22	33Q4040	902961	2	GIRANTE LAVAGGIO COMP.	BRAS DE LAVAGE COMPL.	COMPL. WASH ARM	SPÜLLARM KOMPL.	RODETE LAVADO COMPL.
23	3120380	906001	1	RONDELLA	RONDELLE	WASHER	UNTERLEGSSCHEIBE	ARANDELA
24	36G9140	904753	1	PERNO RISCIAACQUO INFERIORE	TOURILLON DE RINÇAGE INFER.	INFERIOR RINSE PIN	UNTERSPIÜLLSTIFT	PERNO ENJUAGUE INFERIOR
25		908888	1	TUBO Ø10x8 FORAFLON	TUYAU	PIPE	SCHLAUCH	TUBO



Pos.	COD.	COD.	Q.tà	DESCRIZIONE	DENOMINATION	DESCRIPTION	BEZEICHNUNG	DESCRIPCIÓN
1	32V1930	907185	1	TIMER	TIMER	TIMER	TIMER	TIMER
2		902105	3	FILTRI ANTIDISTURBO	FILTRE ANTIDERANGEMENT	NOISE FILTER	ENTSTORFILTER	FILTROS DE RUIDOSIDAD
3	32V1910	907110	1	TERMOSTATO 0°-90°	THERMOSTAT	THERMOSTAT	THERMOSTAT	TERMÓSTATO
4	32Z8830	907125	1	TERMOSTATO DI SICUREZZA	THERMOSTAT	THERMOSTAT	THERMOSTAT	TERMÓSTATO DE SEGURIDAD
5	32V1880	907043	3	TELERUTTORE 9A	TELERUPTEUR	CONTACTOR	SCHUTZ	TELERRUPTOR
6	32V2940	905476	1	RELÉ	RELAIS	RELAY	RELAIS	RELÉ
7	32V2950	905475	1	RELÉ	RELAIS	RELAY	RELAIS	RELÉ
8		TR1095	1	CONTATTO AUSILIARE	CONTACT AUXILIAIRE	AUXILIARY CONTACT	LEERKONTAKT	CONTACTO AUXILIAR
9		TR0319	4	MORSETTO 10A	BORNE	TERMINAL	KLEMMLEISTE	GRAMPA
10		904169	1	MORSETTO TERRA	BORNE	TERMINAL	KLEMMLEISTE	GRAMPA TIERRA
11		905568	1	MORSETTO	BORNE	TERMINAL	KLEMMLEISTE	GRAMPA
12	32V1920	907120	1	TERMOSTATO 55°	THERMOSTAT	THERMOSTAT	THERMOSTAT	TERMÓSTATO
13		TR0401	1	CASSETTA ELETTRICA	BOITE ELECTRIQUE	CABINET	SCHALKASTEN	CAJA ELÉCTRICA
14	32W2140	903632	1	SPIA LINEA	LAMPE DE LIGNE	LINE LAMP	KONTROLLAMPE	LUZ LÍNEA
15	32Z8670	TR0310	1	INTERRUTTORE ON/OFF	INTERRUPTEUR	SWITCH	DRUCKKNOPF	INTERRUPTOR
16	32W2150	906210	1	INTERRUTTORE CICLO	INTERRUPTEUR CYCLE	CYCLE SWITCH	SCHALTER ZYCLUS	INTERRUPTOR CICLO
17	32W2130	903629	1	LAMPADA SPIA	LAMPE	LAMP	KONTROLLAMPE	LÁMPARA
18		906511	1	TARGA	PLAQUETTE	PLATE	SCHILD	PLACA
19		906521	1	TARGA MARCHIO	PLAQUETTE	PLATE	SCHILD	PLACA MARCA
20	32Z8730	TR0393	1	TERMICA 2,5-4A	TERMIQUE	OVERLOAD RELAY	THERMOAUSLOSER	TERMICA
21	32V1900	907090	2	TERMOMETRO	THERMOMETRE	THERMOMETER	THERMOMETER	TERMÓMETRO