



IF 55

LIST OF THE EXPLODED VIEWS



SHELL ASSY

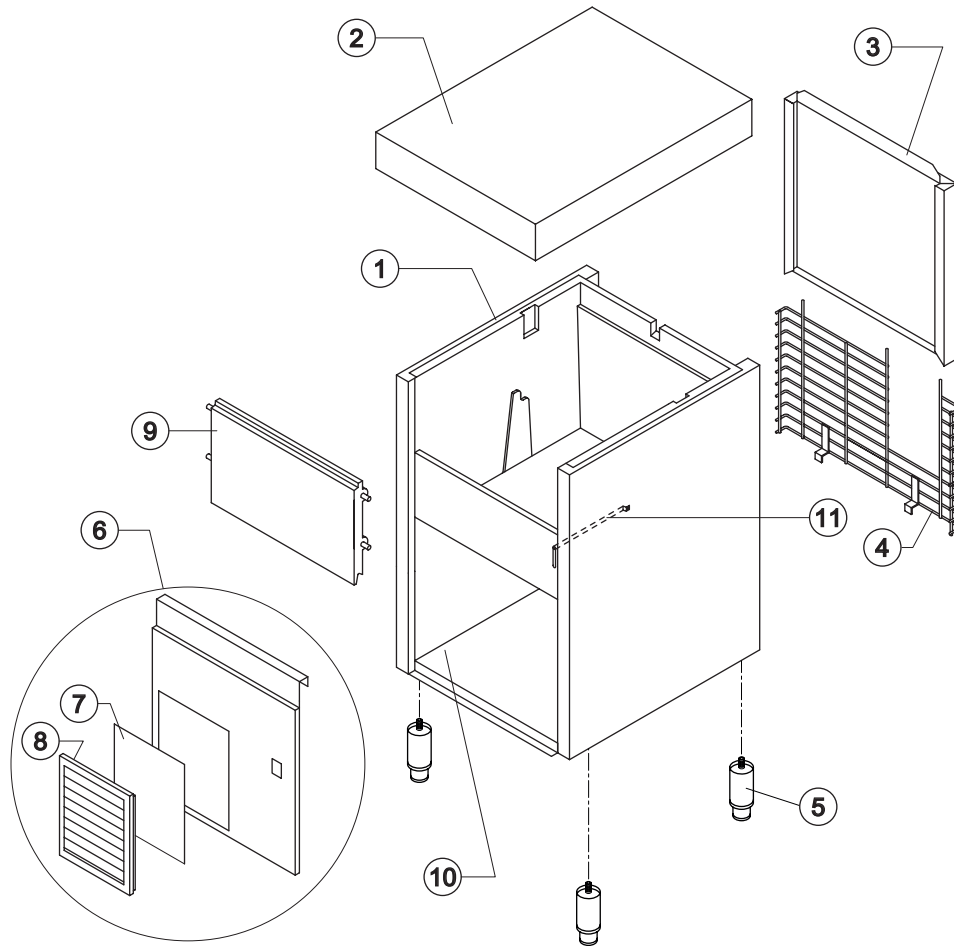
COOLING SYSTEM

HYDRAULIC CIRCUIT

EVAPORATOR SUPPORT

ELECTRIC PARTS

Rev. 6 - 01/08/2005



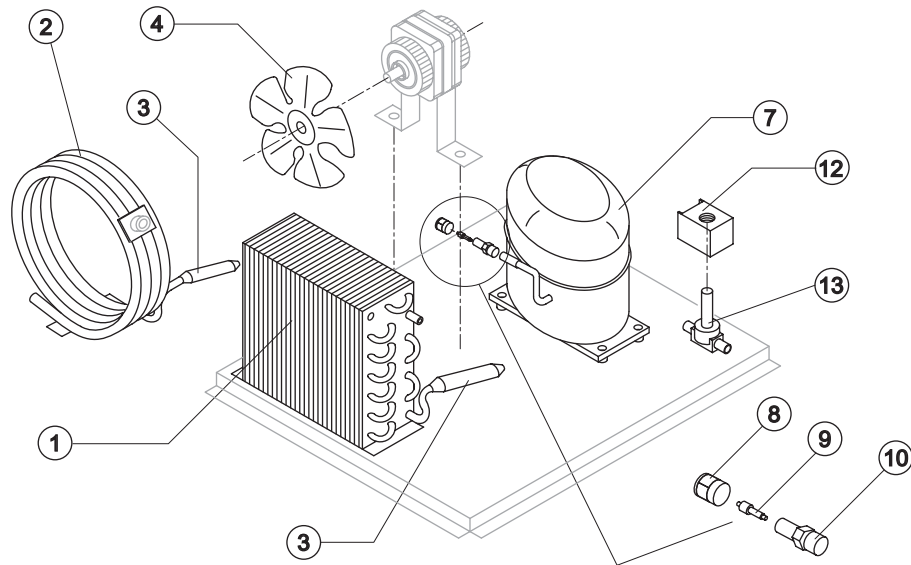
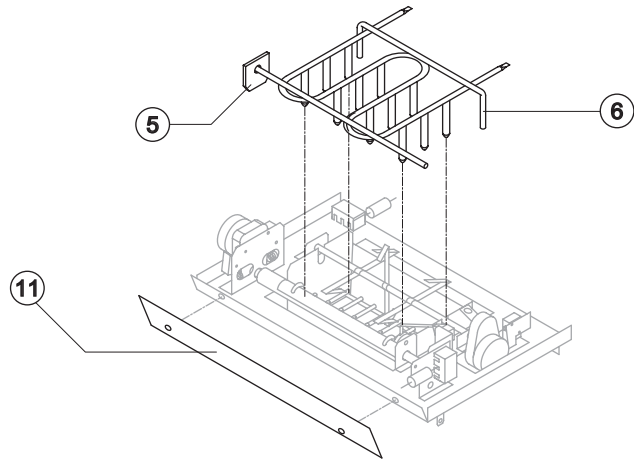
Ref.	Spare Description	Code
1	Foamed Cabinet Assy	C11039/E
2	Top Assembly	C22262
3	Rear Panel Assembly	C26419
4	Rear Grid	D12006
5	Adjustable Stainless Steel Foot	Current Version 20613
5	ABS Foot	Till s/n. 141256 10040
6	Front Grid Panel	Current Version C22508
6	Front Panel	Till s/n. 31236 22069
7	Filtering Panel	18106
8	Frame + Grid & Filter	C10205
9	Door Assy	C10297
10	Base Plate	Current Version 21279
10	Base Plate	Till s/n. 141256 21013
11	Bulbe-holder Pipe	20522

Rev. 6 - 01/08/2005



IF 55

COOLING SYSTEM



Common Parts

Ref.	Spare Description	Code
3	Molecular Drier	14009
5	Upright	22253
6	Evaporator	D14206
7	Compressor	See Table
8	Vacuum-Charge Valve Plug	14006
9	Vacuum-Charge Valve Device	14005
10	Vacuum-Charge Valve Body	14007
11	Protection Plate	10433
12	Hot Gas Valve Coil	23091
13	Hot Gas Valve Body	20410

Parts for Air-Cooled Version Only

Ref.	Spare Description	Code
1	Air Condenser	20019
4	Sucking Fan	See Table

Parts for Water-Cooled Version Only

Ref.	Spare Description	Code
2	Water Condenser	14014
4	Sucking Fan	Till s/n. 232332

Ref. 4 - Sucking Fan

Tension	Code
T11	20096
T12	20095

Ref. 7 - Compressor

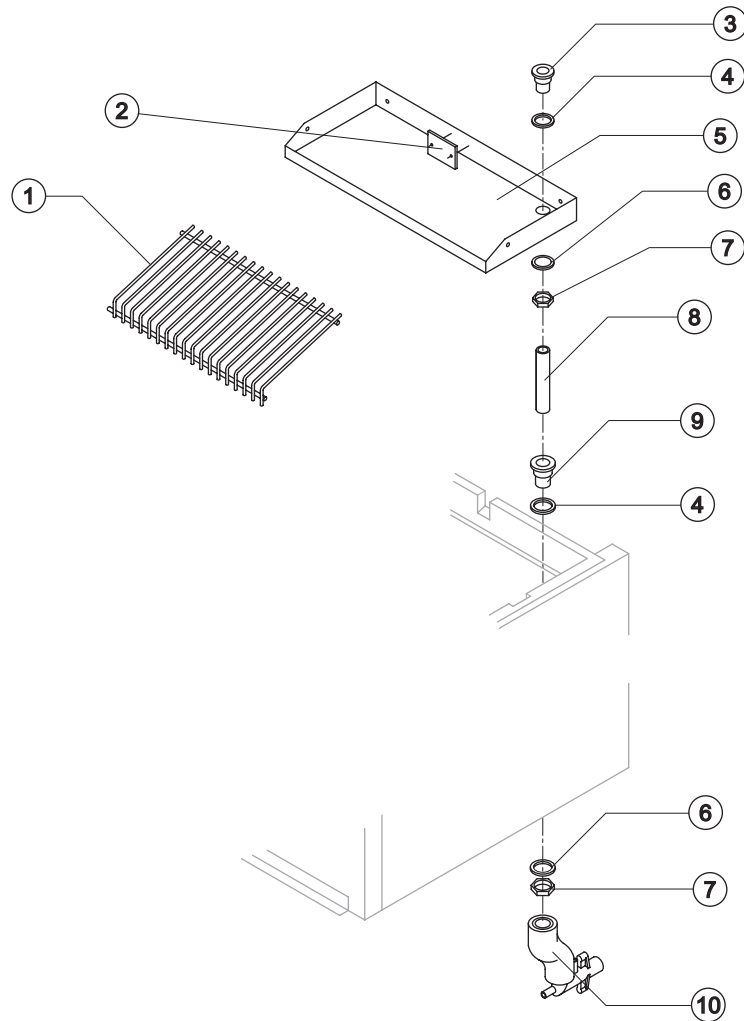
Tension	Code
T11	23441
T12	23585

Rev. 6 - 01/08/2005



IF 55

HYDRAULIC CIRCUIT



Common Parts

Ref.	Spare Description	Code
1	Ice Cubes Slide	D12042
2	Slide Keep Plate	10009
3	Overflow Pipe Nipple	10241
4	Silicone Gasket	13006
5	Water Basin	22353
6	Semirigid Polyethylene Gasket	13007
7	Bin Discharge Nut	10096
8	Overflow Pipe	Current Version 13108
8	Overflow Pipe	Till s/n. 62623 13057
9	Water Outlet Nipple	10472

Parts for Air-Cooled Version Only

Ref.	Spare Description	Code
10	Discharges Manifold	C10006

Parts for Water-Cooled Version Only

Ref.	Spare Description	Code
10	Discharges Manifold	C26452

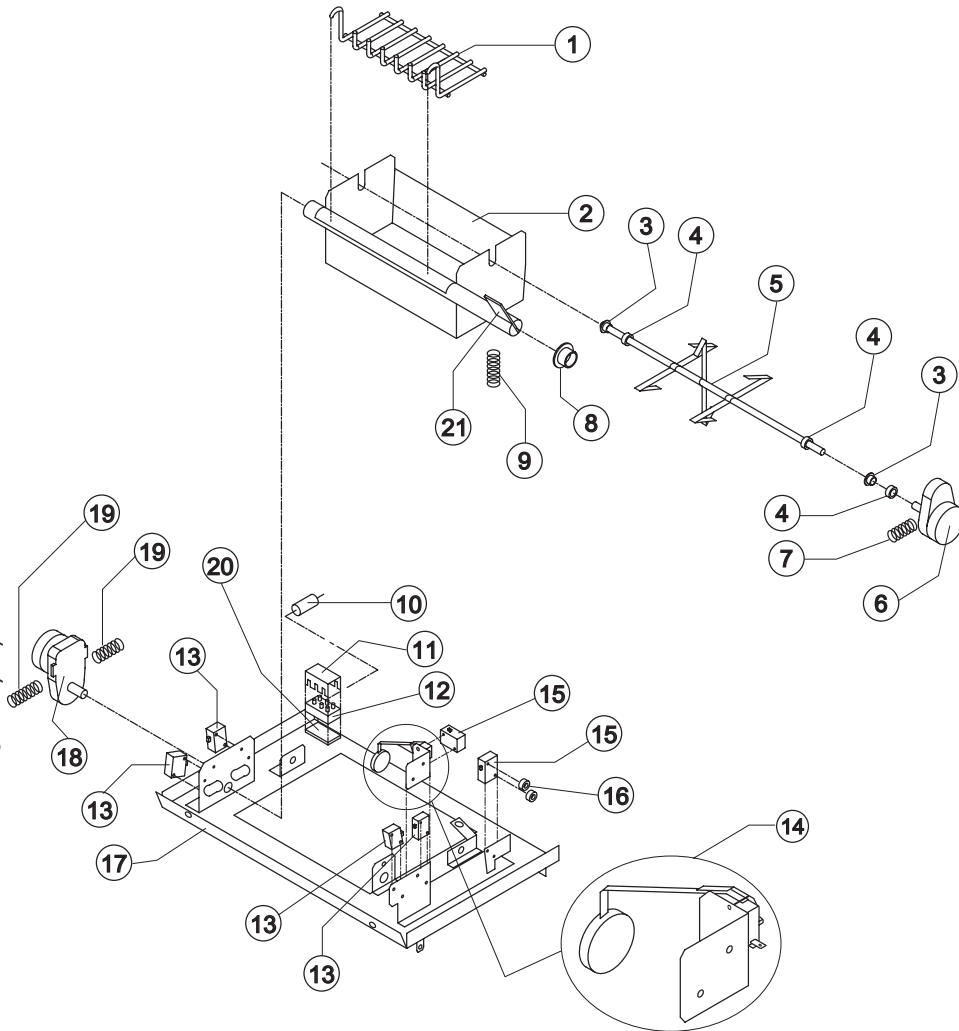
Rev. 6 - 01/08/2005



IF 55

EVAPORATOR SUPPORT

Rev. 6 - 01/08/2005



Ref.	Spare Description	Code	
1	Internal Basin Slide	D12048	
2	Water Basin with Pin	C22356	
3	Self-Lubricating Bush 06/06	20230	
4	Shaft Stop Ring	20227	
5	Shaft with Paddles	20221	
6	Gearmotor (Paddles)	23194	
7	Spring (Support Gearmotor)	20228	
8	Self-Lubricating Bush 12/07	20231	
9	Spring(Basin Lightening)	20282	
10	Capacitor 0,12 µF - 1000 V	220/240V 50 Hz	23318
10	Capacitor 0,15 µF - 1000 V	220/230V 60 Hz	23329
11	Terminal Block Cover	23250	
12	Terminal Block	23249	
13	Microswitch (normally closed)	23196	
14	Working Kit for the Floating Micro	C26562	
15	Microswitch (normally open)	23372	
16	Switch Shimming Ring	10250	
17	Evaporator Support Plate	22351	
18	Gearmotor (Turnover Basin)	See Table	-
19	Spring (Support Gearmotor)	20232	
20	Terminal Block Spacer	10143	
21	Micro-Finger Connecting Link	22359	



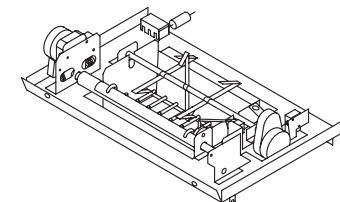
The Complete Evaporator Support Plate has to be request, making reference to the Table.

Ref. 18 - Gearmotor (Turnover basin)

Tension	Code
T11	23195
T12	23581

Evaporator Support Plate

Tension	Code
T11	C22351
T12	C22696





IF 55

ELECTRIC PARTS

Common Parts

Ref.	Spare Description	Code
3	Anti Radio Interference Filter T11	C23458
5	Condenser Pressure Switch	23175
6	Bin Thermostat	R23005
8	Relay	23190
9	Green Light Switch (On-Off)	23327

Parts for Air-Cooled Version Only

Ref.	Spare Description	Code
1	Fan Motor	23029
7	Anti Radio Interference Filter T11	C23459
12	1 Way- Water Inlet Valve	23220

Parts for Water-Cooled Version Only

Ref.	Spare Description	Code
1	Fan Motor	Till s/n. 232332 23029
7	Anti Radio Interference Filter T11	Current Version C23457
7	Anti Radio Interference Filter T11	Till s/n. 232332 C23459
10	Safety Thermostat	C23114
11	2 Ways- Water Inlet Valve	23501

Rev. 6 - 01/08/2005

