



SPARE PARTS CATALOGUE
CATALOGO PARTI DI RICAMBIO

CUOCIPASTA ELETTRICO CON SOLLEVAMENTO CESTELLO AUT. 150 LT
AUTOMATIC ELECTRIC TILTING BASKET PASTA COOKER 150 LT

PNC	Model	Ref	Brand	Type	Notes
392128	Z9PCEH1RF0	D	ZAN	EL	1 BASKET
391128	E9PCEH1RF0	E	ELX	EL	1 BASKET
393128	A9PCGH1RF0	F	OEM	EL	1 BASKET

Pag	Index	Indice	Note
2	Structural components	Componenti strutturali	
4	Water components	Componenti impianto idraulico	
5	Electric components	Quadro elettrico	
6	Linear Actuator	Attuatore lineare	
7/8	Spare parts list	Lista ricambi	

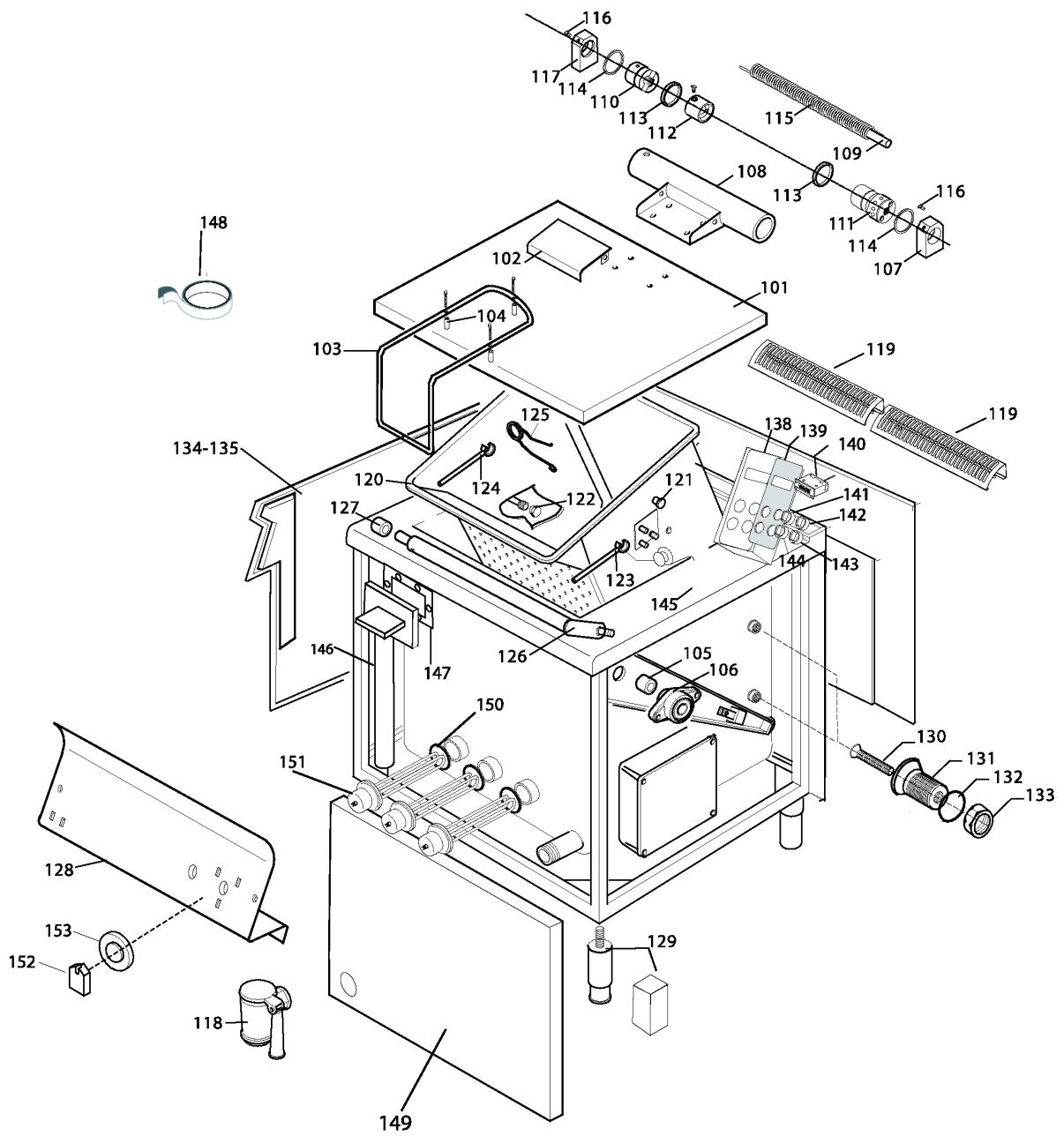
Brand/Marchio: All
Factory code: 9PDX

* =Component on demand / componente a richiesta

** = Bold text = changes / Grassetto = cambiamenti

PAG 1 Ed.1 / 08 2013

Doc. 59785RR00



* =Component on demand / componente a richiesta

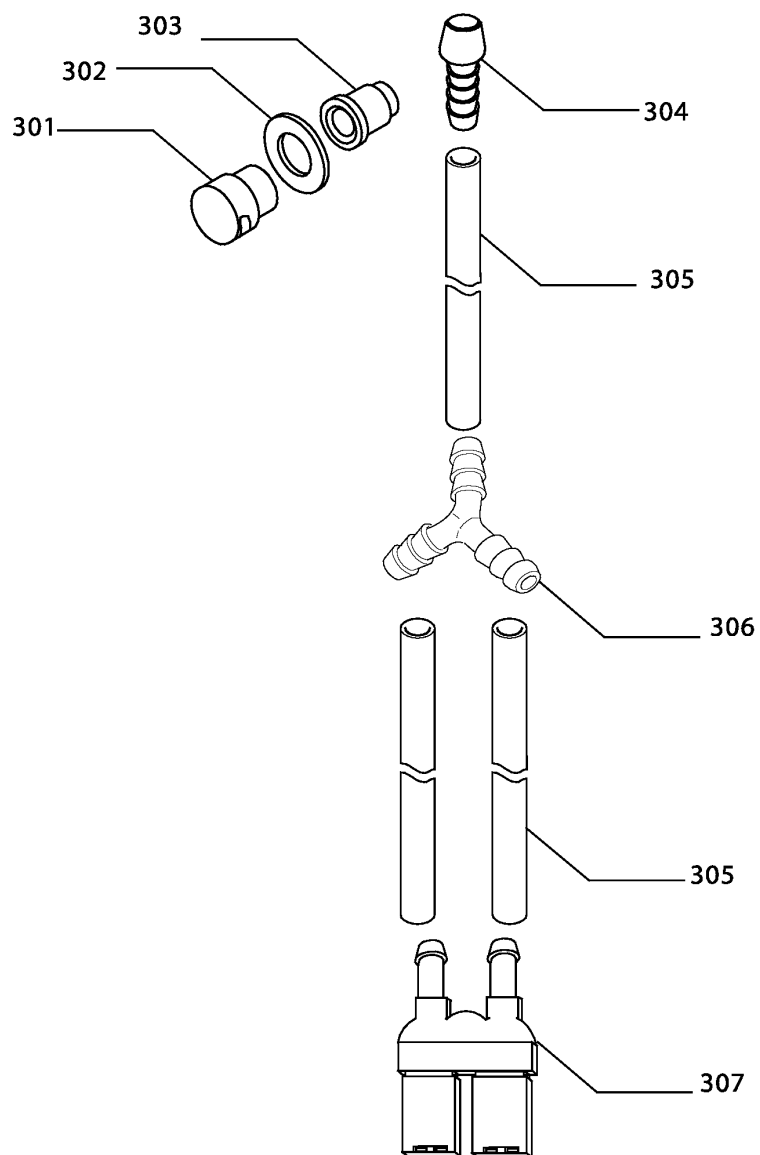
** = Bold text = changes / Grassetto = cambiamenti

PAG 2 Ed.1 / 08 2013

Doc. 59785RR00

Model	All									
Table	59785RR00		Page	2	Structural components					
Pos.	Spare Part	Alias Code	Repl. by	S	Info	Kit	Techn. Bulletin	Description	Notes	
0101	0C0826	0050056301			D			COVER; ASSY		
0102	006834	0050025100			D			GUARD		
0103	0C0691							HANDLE	COMPONENT ON DEMAND - ZAN - OEM	
0103	0C2072							HANDLE; ASSY	COMPONENT ON DEMAND - ELX	
0104	004468	0035028700		S				SPACER		
0105	003647	0008510000		S				OIL SEAL		
0106	002365	0008107800		S				SUPPORT	UCFL 206	
0107	003636	0519375700						SUPPORT		
0108	006835	0050000600						SUPPORT		
0109	003639	0019355400						AXIS		
0110	005883	0019355100		S				BLOCK		
0111	006021	0019355000		S				BLOCK		
0112	005882	0019355200						STOPPING		
0113	003641	0019373600		S				RING		
0114	003642	0019373100		S				RING		
0115	002981	0019525300		S				SPRING		
0116	003640	0019148200		S				SCREW		
0117	003637	0519375800						SUPPORT		
0118	008027	0022120200						DRAIN TAP; 2"F		
0119	0C7333	050389LP00		S				CHIMNEY GRID; L=400MM		
0120	002036	0019361001			D			BASKET		
0121	002038	0019307201		S				NUT		
0122	002038	0035014400		S				NUT		
0123	0C1872	0050059900		S				ARM; RH		
0124	0C1871	0050060000		S				ARM; LH.		
0125	005830	0037005600						SPRING		
0126	0C1715	0051009201						SHAFT		
0127	002040	0019508300		S				BUSH		
0128	000000								COMPONENT ON DEMAND - OEM	
0128	000000	0050090201							COMPONENT ON DEMAND - ELX	
0128	000000	0050090301							COMPONENT ON DEMAND - ZAN	
0129	0C0204	0050054900						FOOT; Ø=50,5MM; PIN M10; AISI 304		
0130	033477	0019150201		S				SCREW; FOR PROBE		
0131	033478	0035005500		S	A	Kit		BUSHING; KIT		
0132	005527	0020508100		S				O-RING		
0133	006628	0018148200		S				NUT		

Model	All		Page 2		Structural components				
Table	59785RR00		Page 2		Structural components				
Pos.	Spare Part	Alias Code	Repl. by	S	Info	Kit	Techn. Bulletin	Description	Notes
0134	000000	085089JD00							ELX - COMPONENT ON DEMAND - ELX
0134	000000	085089JG00							COMPONENT ON DEMAND - ZAN
0135	000000	085089JC00							ELX - COMPONENT ON DEMAND - ELX
0135	000000	085089JF00							COMPONENT ON DEMAND - ZAN
0138	0C2403	0001391401						SWITCHBOARD	
0139	0C2404	0020538500						MEMBRANE	ZAN
0139	0C2405	0020545200						MEMBRANE	ELX
0140	0C1281	0005203100		S	A			TIME SWITCH; EWTS950LX; 12V	
0141	004416	0005154300						SELECTOR	SN1A+BN+C10
0142	054422	0005150400			A		30015	SELECTOR	
0143	003828	0005155100						SELECTOR	
0144	005079	0005186300	059051					SWITCH	
0145	059843	0005503300						PUSH BUTTON; ASS.	
0146	0C2453	0050075900						OWERFLOW PIPE	
0147	0C2406	0020546400			D			GASKET; OWERFLOW PIPE	
0148	0C1289	0904100200						TAPE; 1ROLL=55METERS	
0149	0C2407	0030148402						FRONT PANEL; ASSY	
0150	054723	0005101000						HEATING ELEMENT; 5KW 220V	
0151	054724	0018158200						GASKET	
0152	0C7232	0020540000		S				KNOB; DIA.6	D - 548878201
0152	0C8646	0020534200		S		Kit		ADAPTER; WITH KNOB; DIA.10; KIT	E - 511850G01
0153	0C7424	0020549600						RING NUT	E - 548879R00
0153	0C7572	0020549100						RING NUT	D - 548877H00



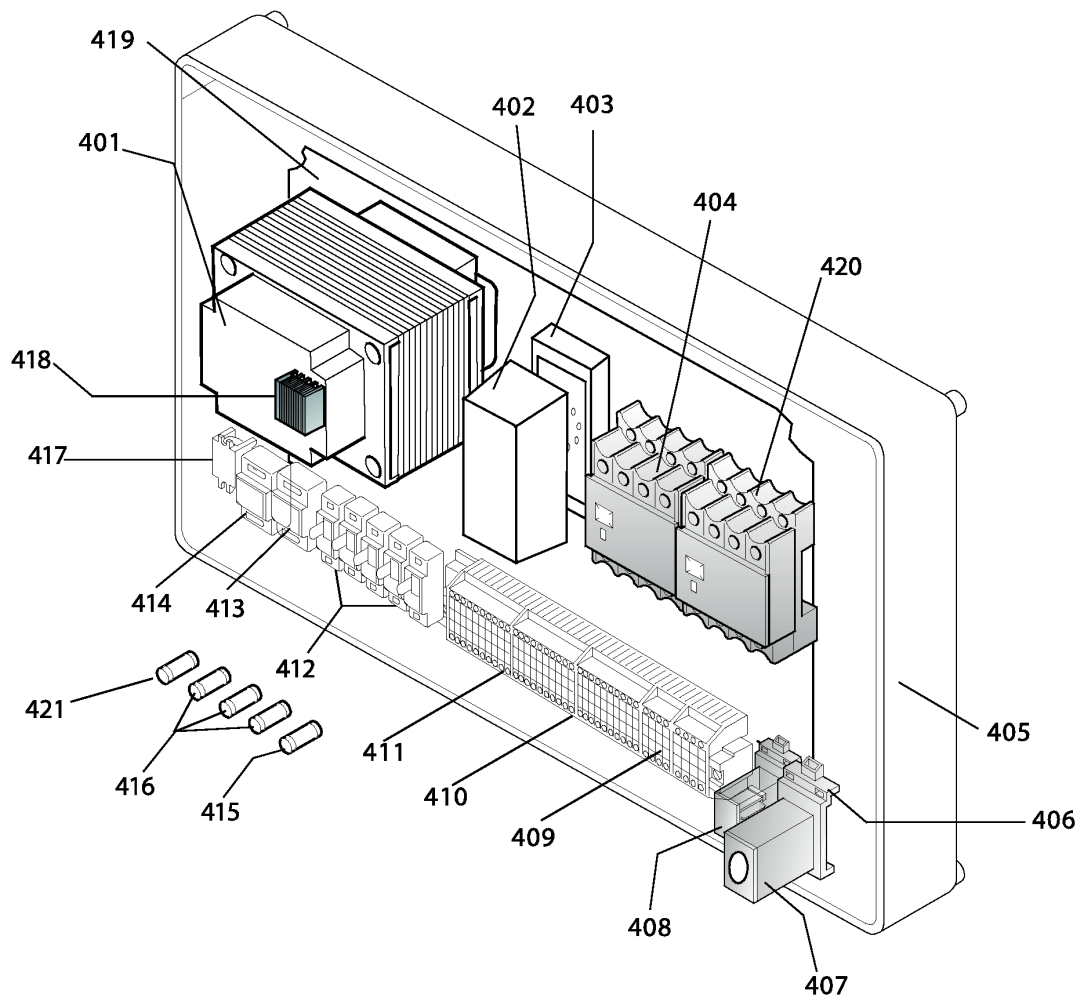
* =Component on demand / componente a richiesta

** = Bold text = changes / Grassetto = cambiamenti

PAG 3 Ed.1 / 08 2013

Doc. 59785RR00

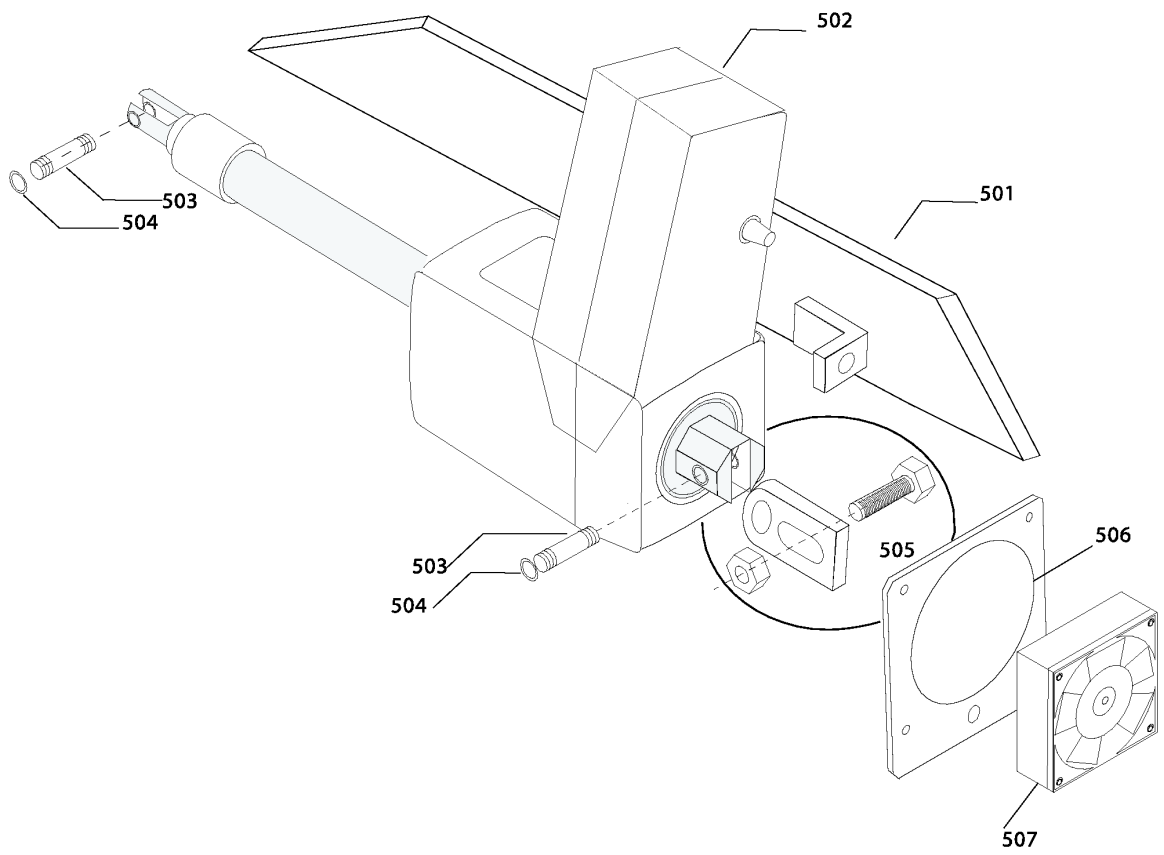
Model		All							
Table		59785RR00		Page		3		Water components	
Pos.	Spare Part	Alias Code	Repl. by	S	Info	Kit	Techn. Bulletin	Description	Notes
0301	059060	0022121200						DISTRIBUTOR	
0302	0C1960	0006506000			D			WASHER; COPPER3/4" RR27	RR27
0303	0C1961	0018003600			D			REDUCER; FF 3/4X1/2	
0304	0C1962	0018004500			D			PIPE FITTING; 1/2"; BRASS	
0305	002707	0020525200					PDD2005-18	ARMORED RUBBER HOSE; BY METER	
0306	047431	0020524700						CONNECTION 3 WAY	
0307	0C1435	0022155200		S	A			WATER SOLENOID VALVE	ED 90/88



* =Component on demand / componente a richiesta
 ** = Bold text = changes / Grassetto = cambiamenti
 PAG 4 Ed.1 / 08 2013

Doc. 59785RR00

Model	All									
Table	59785RR00			Page	4	Electric components				
Pos.	Spare Part	Alias Code	Repl. by	S	Info	Kit	Techn. Bulletin	Description	Notes	
0401	006513	0005197600						TRANSFORMER	EL2011	
0402	004894	0005154500	053913		D			LEVEL CONTROL	GICAR RL30	
0403	005555	0005111800						SOCLE	FINDER9023	
0404	003910	0005130200						CONTACTOR		
0405	0C2413	0005204200			D			EL. COMPONENTS BOX CRN15G OLD VERSION	GW44209	
0406	059845	0005503400						SOCLE	PYF08A-E	
0407	0C1240	0005204100						TIME SWITCH	FINDER85 320024	
0408	054926	0005501400						RELAY	MY2 24V AC	
0409	0C1974	0005204800						TERMINAL; AUS. WAGO 280-601	WAGO	
0410	0C2414	0005205200						TERMINAL	WAGO	
0411	0C2415	0005205100						TERMINAL	WAGO	
0412	0C1969	0005204500							WAGO	
0413	0C1973	0005205000							WAGO	
0414	0C1968	0005204900							WAGO	
0415	0C1967	0005204600							WEBER Fb2 WEBER	
0416	0C1966	0005204700							Fb1,Fb3,Fb4,Fb5	
0417	000000									
0418	005066	0005182800						RECTIFIER		
0419	0C2416	0005204300						PLAQUE	GW 44617	
0420	052990	0005500400			D			CONTACTOR		
0421	004065	0005104400						FUSE		



* =Component on demand / componente a richiesta
 ** = Bold text = changes / Grassetto = cambiamenti
 PAG 5 Ed.1 / 08 2013

Doc. 59785RR00

Model		All								
Table		59785RR00			Page		5		Linear Actuator	
Pos.	Spare Part	Alias Code	Repl. by	S	Info	Kit	Techn. Bulletin	Description	Notes	
0501	0C2417	0050070400						SUPPORT		
0502	006701	0013003800		S	A			LINEAR ACTUATOR; 24V	LA 34 32 00	
0503	006702	0035023500		S				PIN		
0504	0C2418	0001548400		S				RING		
0505	0C1965	0050069700						PLATE		
0506	0C2419	0031157801						BRACKET		
0507	0C2420	0005212600		S				FAN 8556 VWR-669 WITH CABLE 500MM		