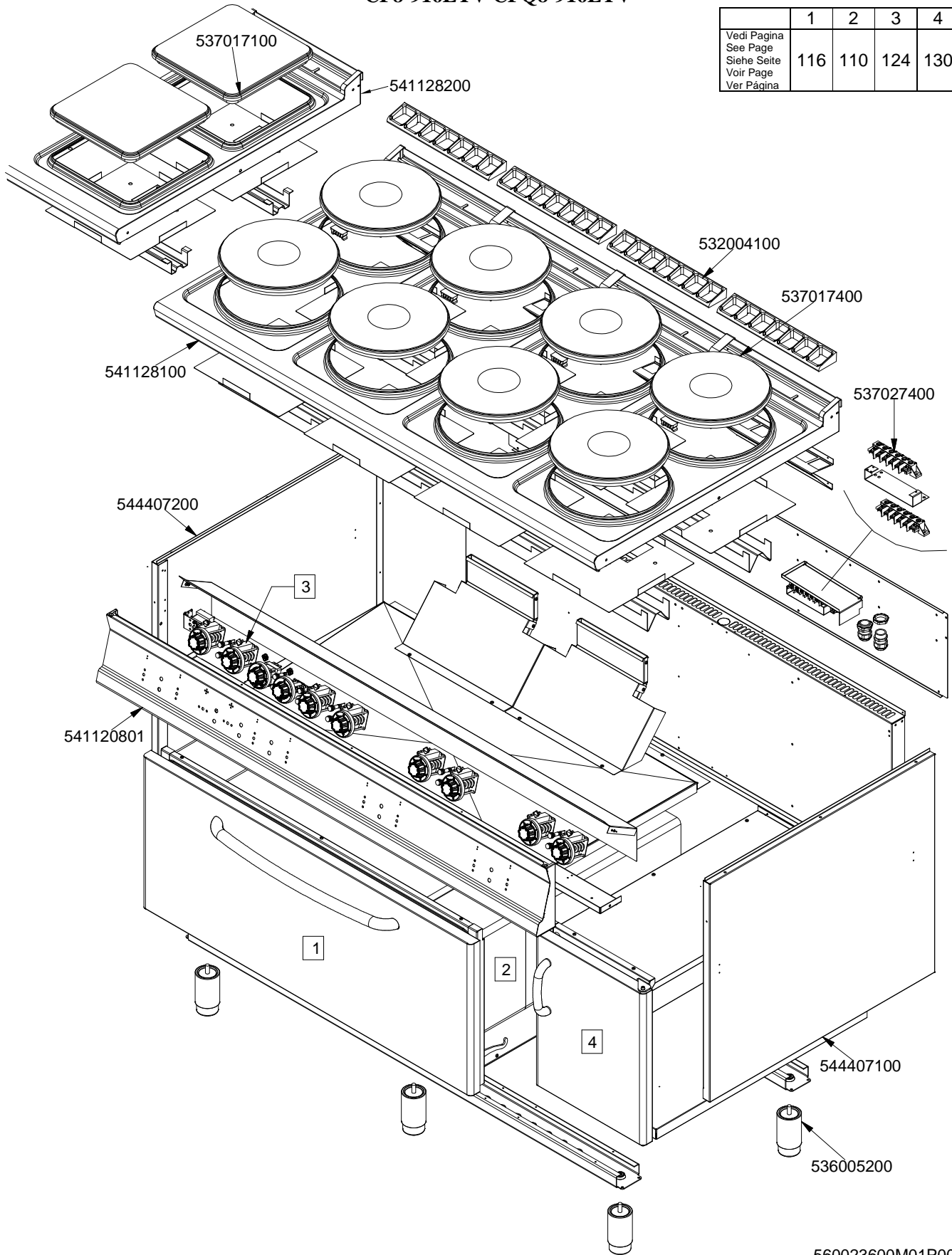


IPERLOTUS 90

CUCINE / RANGES / HERDE / CUISINIÈRES
CF...8-916...

CF8-916ETV CFQ8-916ETV

	1	2	3	4
Vedi Pagina See Page Siehe Seite Voir Page Ver Pàgina	116	110	124	130



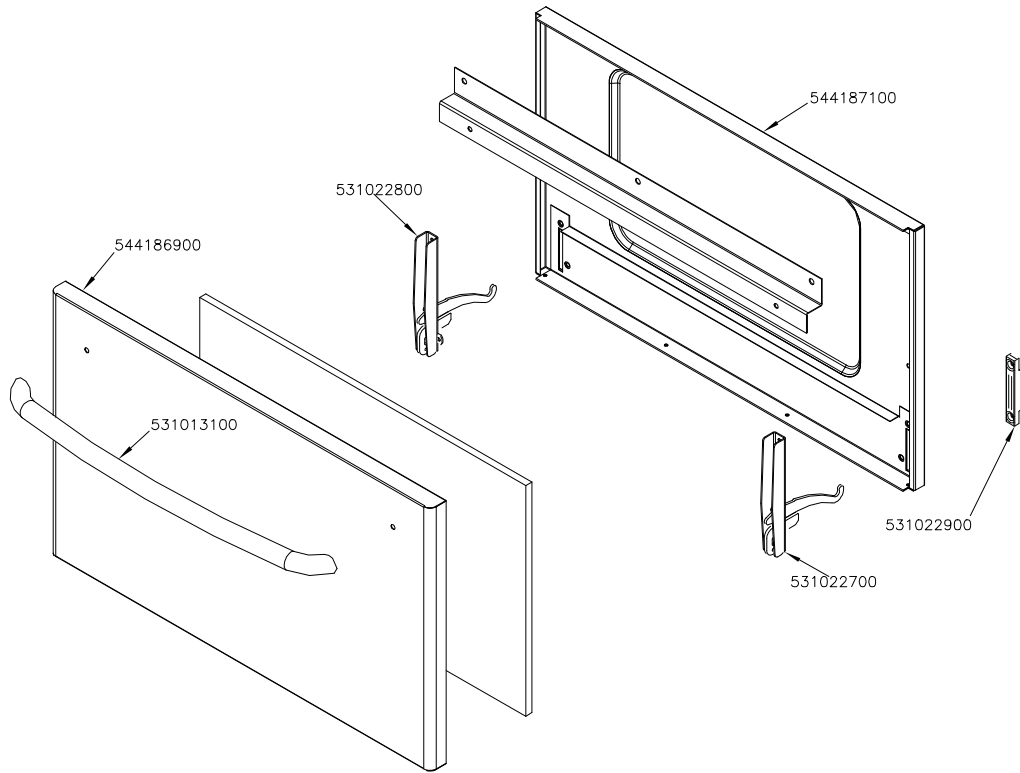
560023600M01P00

IPERLOTUS 90

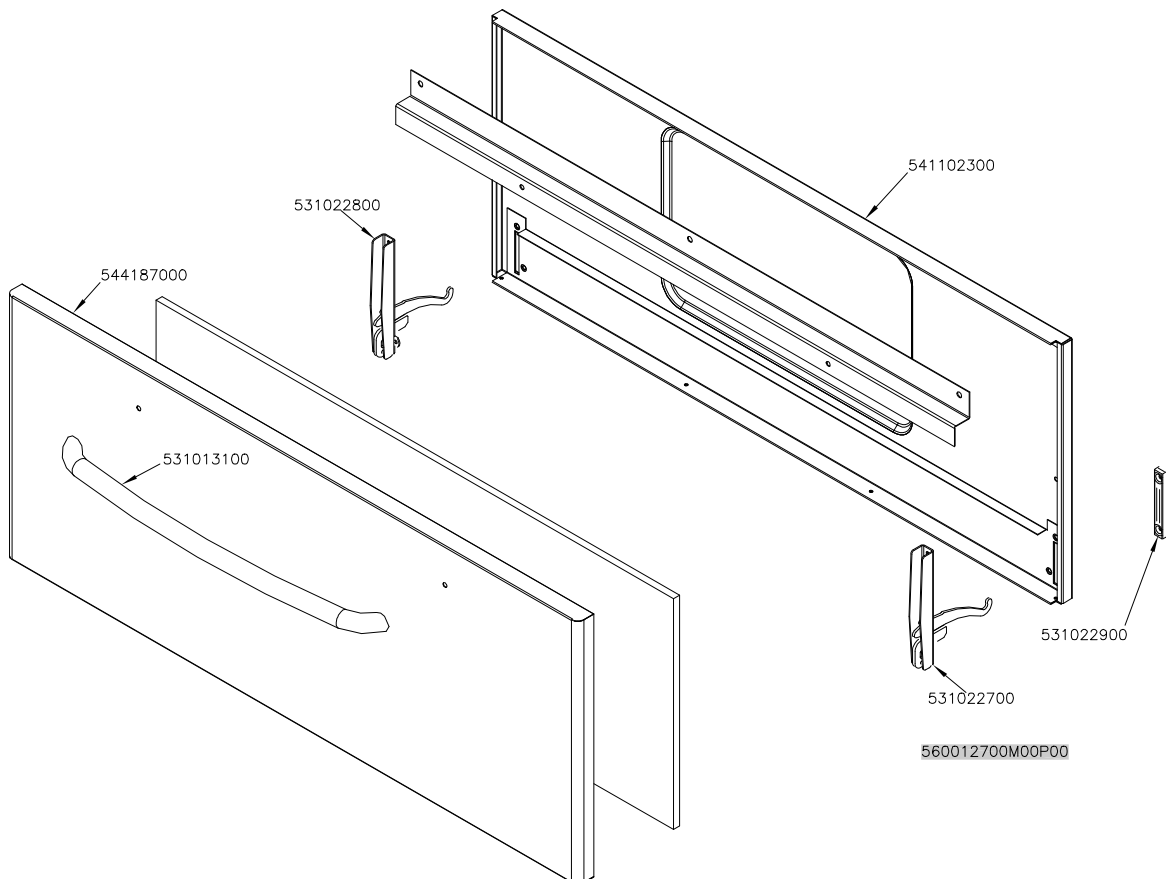
CUCINE / RANGES / HERDE / CUISINIÈRES
FORNO / OVEN / BACKOFEN / FOUR

PORTE / DOORS / TÜREN / PORTES

GN 2/1



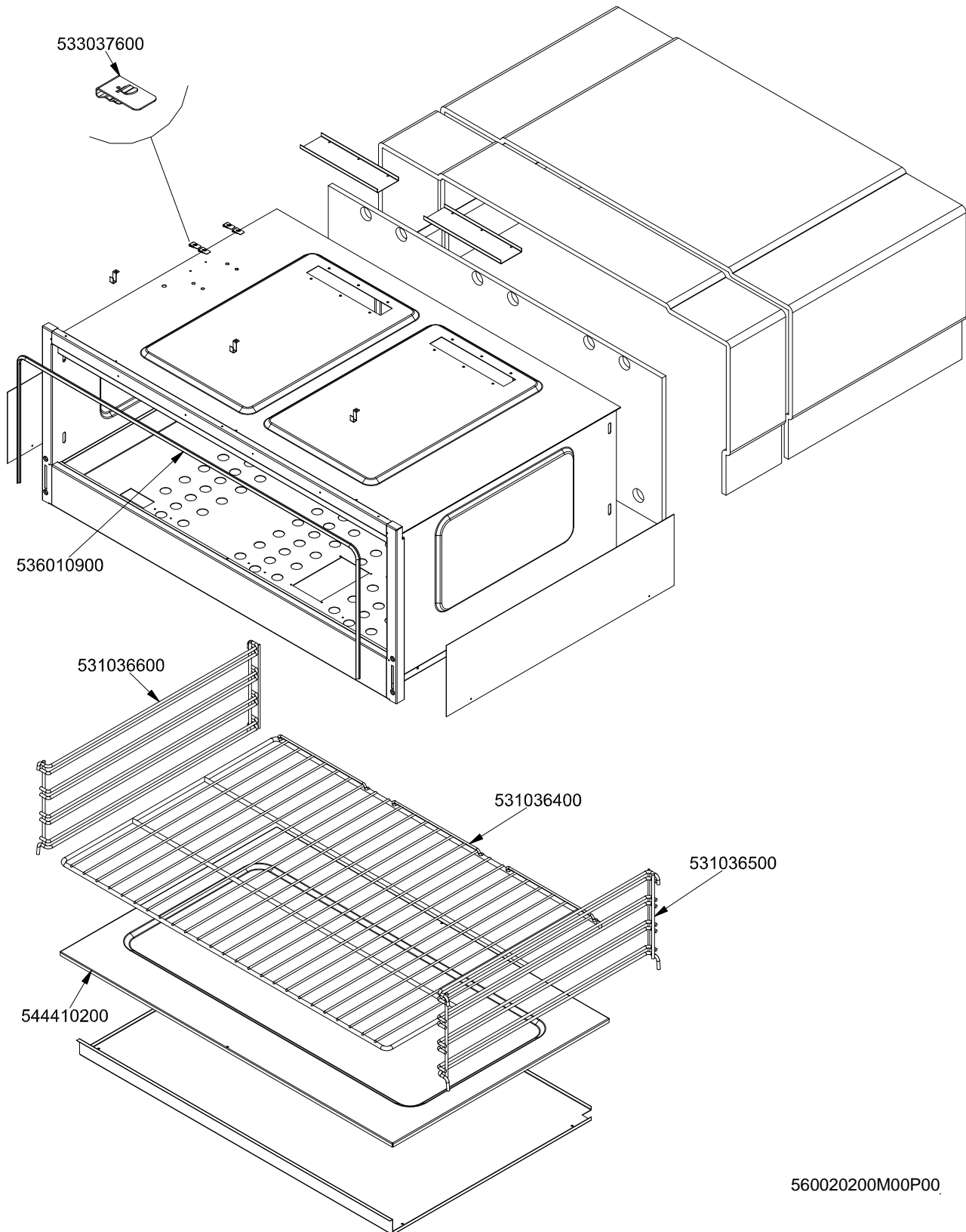
GN 3/1



IPERLOTUS 90

CUCINE / RANGES / HERDE / CUISINIÈRES
FORNO / OVEN / BACKOFEN / FOUR

ELETRICO / ELECTRICAL / ELEKTRO / ELECTRIQUE / GN 3/1

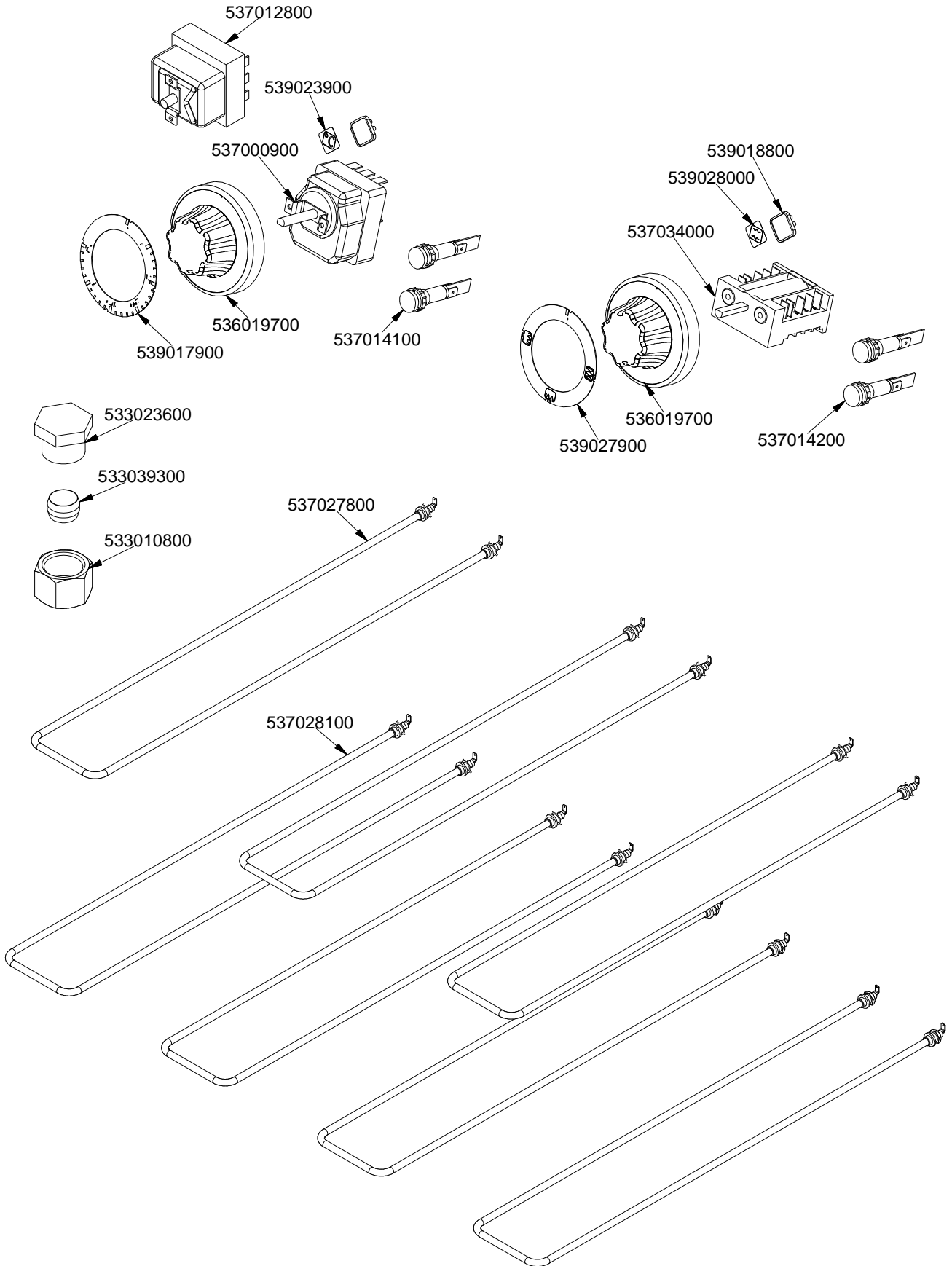


560020200M00P00

IPERLOTUS 90

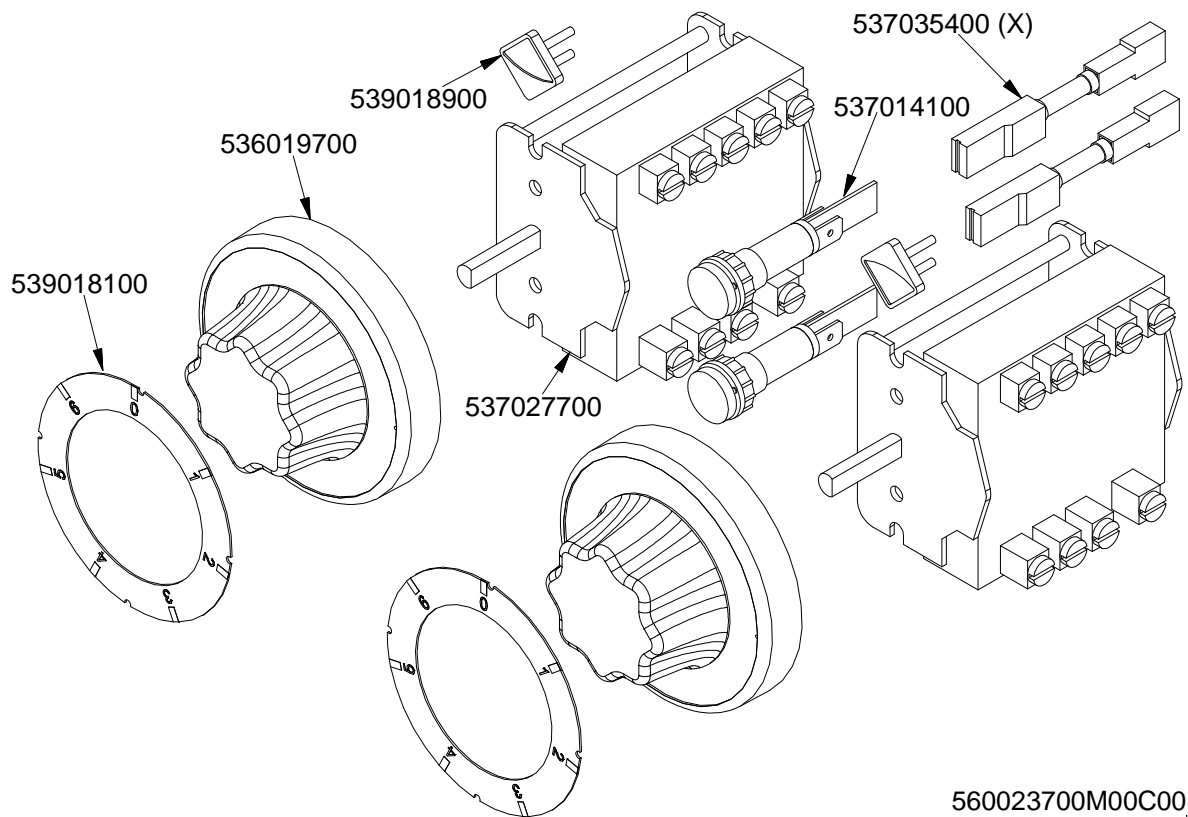
CUCINE / RANGES / HERDE / CUISINIÈRES
FORNO / OVEN / BACKOFEN / FOUR

ELETTRICO / ELECTRICAL / ELEKTRO / ELECTRIQUE / GN 3/1



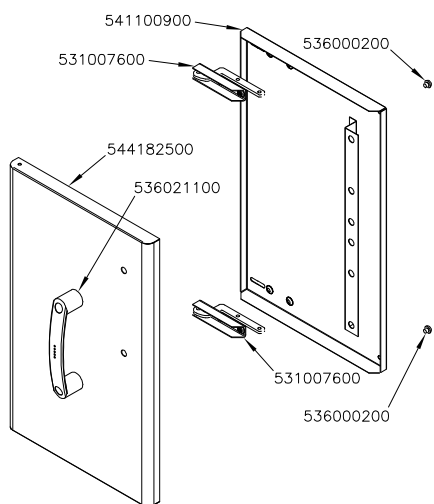
560020301M00P00

PC-E PC-EX

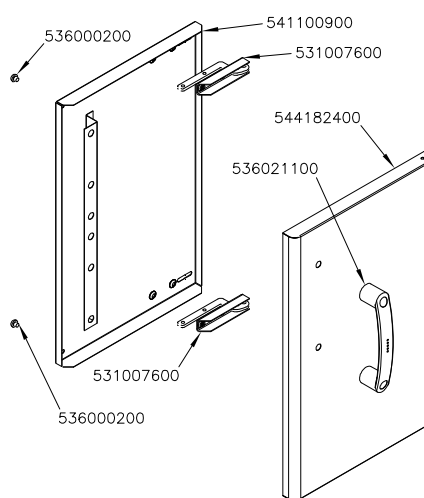


560023700M00C00

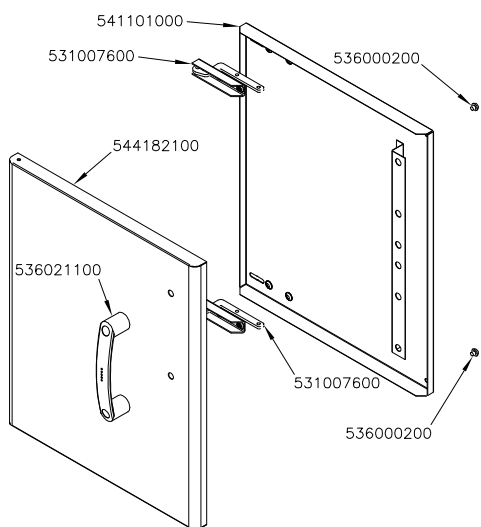
PORTE / DOORS / FLÜGELÜREN / PORTES N°≤0601



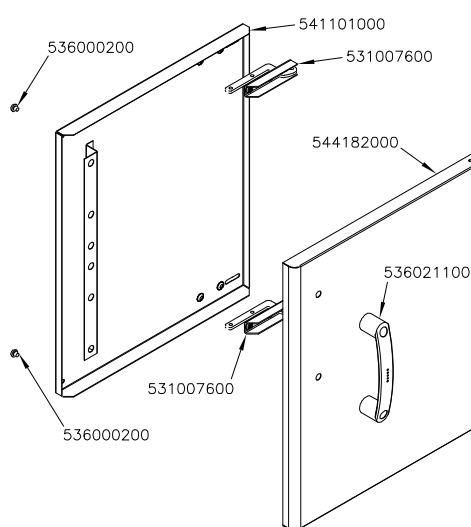
P-73/93 SX



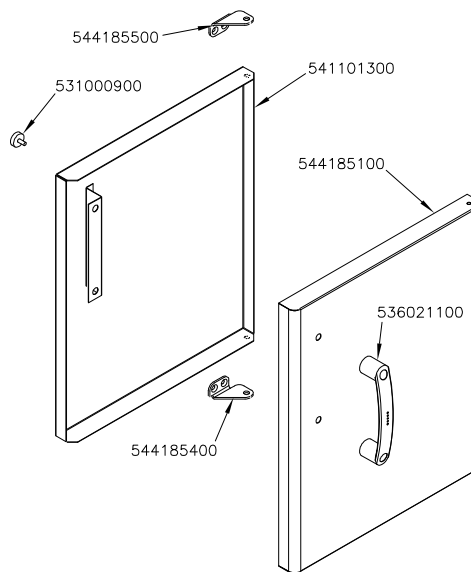
P-73/93 DX



P-74/94 SX



P-74/94 DX



P-74/94 DX CF

560012800M00P00

Page	Pos	Code	Description
001		544407100	RIGHT SIDE PANEL RANGE 90 LINE
001		536005200	INOX LEG 2" 120-180 M10
001		541120801	CONTROL PANEL S70/90 CF8-916EV
001		544407200	RIGHT SIDE PANEL RANGE 70 LINE
001		541128100	UPPER PLATE PC-916ET
001		532004100	FLUE GRID L=370 70LINE (RAF)
001		537027400	TERMINAL BLOCK THREEPHASE 40A
001		537017400	ELECTRICAL PLATE D.300 W3500 V230
001		537017100	PLATE 300X300 W4000 V230
001		541128200	UPPER PLATE PCQ-916ET
002		544187100	OVEN INNER DOOR GN 2/1 S.70
002		531022800	LEFT OVEN DOOR HINGE S.70
002		544156900	
002		531013100	OVEN DOOR HANDLE OF 70/90-LINE
002		531022900	HINGE DOOR WHEEL HOLDER S.70
002		531022700	RIGHT OVEN DOOR HINGE 70LINE
002		541102300	GAS OVEN INNER DOOR GN 3/1 S.70
002		531072800	
002		544187000	OVEN DOOR GN 3/1 S.70
003		533037600	LOCK SPRING FOR BULB
003		536010900	GAS OVEN GASKET GN 3/1 (1620)
003		531036600	LHD RACK HOLDER FOR OVEN S.90
003		531036400	OVEN GRID GN 3/1 FOR 90 LINE
003		531036500	RHD RACK HOLDER FOR OVEN S.90
003		544410200	90 ELECTRICAL OVEN BOTTOM GN3/1
004		537012800	SAFETY THERMOSTAT 420°C THREEPHASE
004		533023600	TAP PLUG §10 M16*1, 5CH19
004		533039300	BICONE §10
004		533010800	TUBE NUT D.10 M16*1,5
004		537027800	OVENUPPER HEATING EL. W800 V230 90L
004		537028100	OVEN LOWER HEATING EL.W700 V230 90L
004		539027900	ADHESIV.GRADUATED DISC FOR SELECTOR
004		536019700	BLACK KNOB §70 PIN §6*5
004		537014100	WHITE WARNING LIGHT 250V
004		539017900	ADHESIVE GRADUATED DISC FOR KNOB
004		537014200	GREEN WARNING LIGHT 250V
004		537034000	
004		539028000	SELECTOR SIGN PLATE FOR OVEN
004		537000900	THERMOSTAT 50-320°C THREEPHASE
004		539018800	INDEX FOR OVEN KNOB
004		539023900	SIGN PLATE FOR OVEN TEMPERATURE
005		539018100	ADHESIVE GRADUATED DISC FOR KNOB
005		536019700	BLACK KNOB §70 PIN §6*5
005		539018900	INDEX FOR KNOB
005		537027700	COMMUTATOR 7 POSITIONS S.43 32A
005		537014100	WHITE WARNING LIGHT 250V
005		537035400	HEATING ELEMENT 00003W 330KO
006		541100900	INNER DOOR 73
006		531007600	DOOR HINGE
006		536000200	D.12 H.4 BUMPER
006		544182500	RIGHT DOOR 73

Page	Pos	Code	Description
006		536021100	BLACK HANDLE 70LINE + 2RED POINTS
006		531007800	
006		544182400	RIGHT DOOR 73
006		541101000	INNER DOOR 74
006		544182100	LEFT DOOR 74
006		544182000	RIGHT DOOR 74
006		544185500	UPPER DOOR HINGE FOR COMPARTME CF70
006		531000900	MAGNET §22 KG.3 WITH DISK
006		541101300	RIGHT INNER DOOR 74 CF
006		544185100	RIGHT DOOR 74
006		544185400	LOWER DOOR HINGE FOR COMPARTME CF70