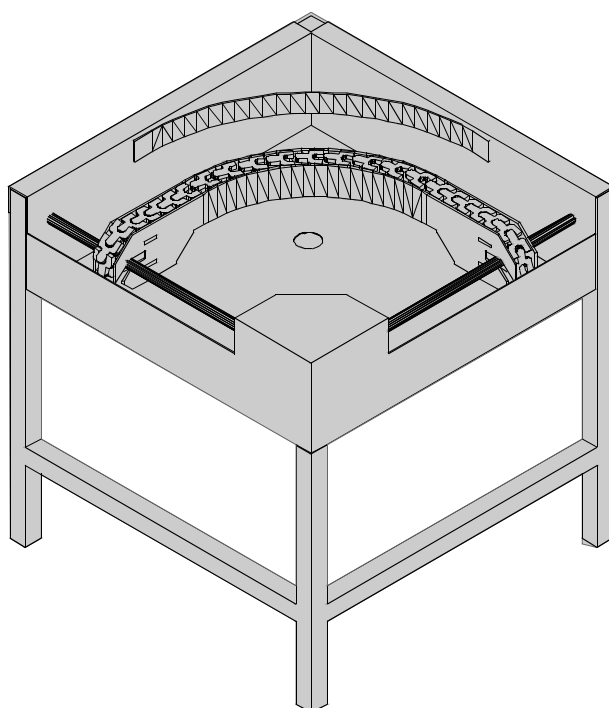


RACK CONVEYOR MACHINE

TYPE: 972

Spare parts manual



S/N:

Valid from:..11/2002

Rev.: 2.0

1. Spare parts

Motorized curve 90° - LC 97/27

Motorized curve 90° - LC 97/2: electric parts 9

**Motorized curve 90° - LC 97/2: electric parts single speed -
remote control11**

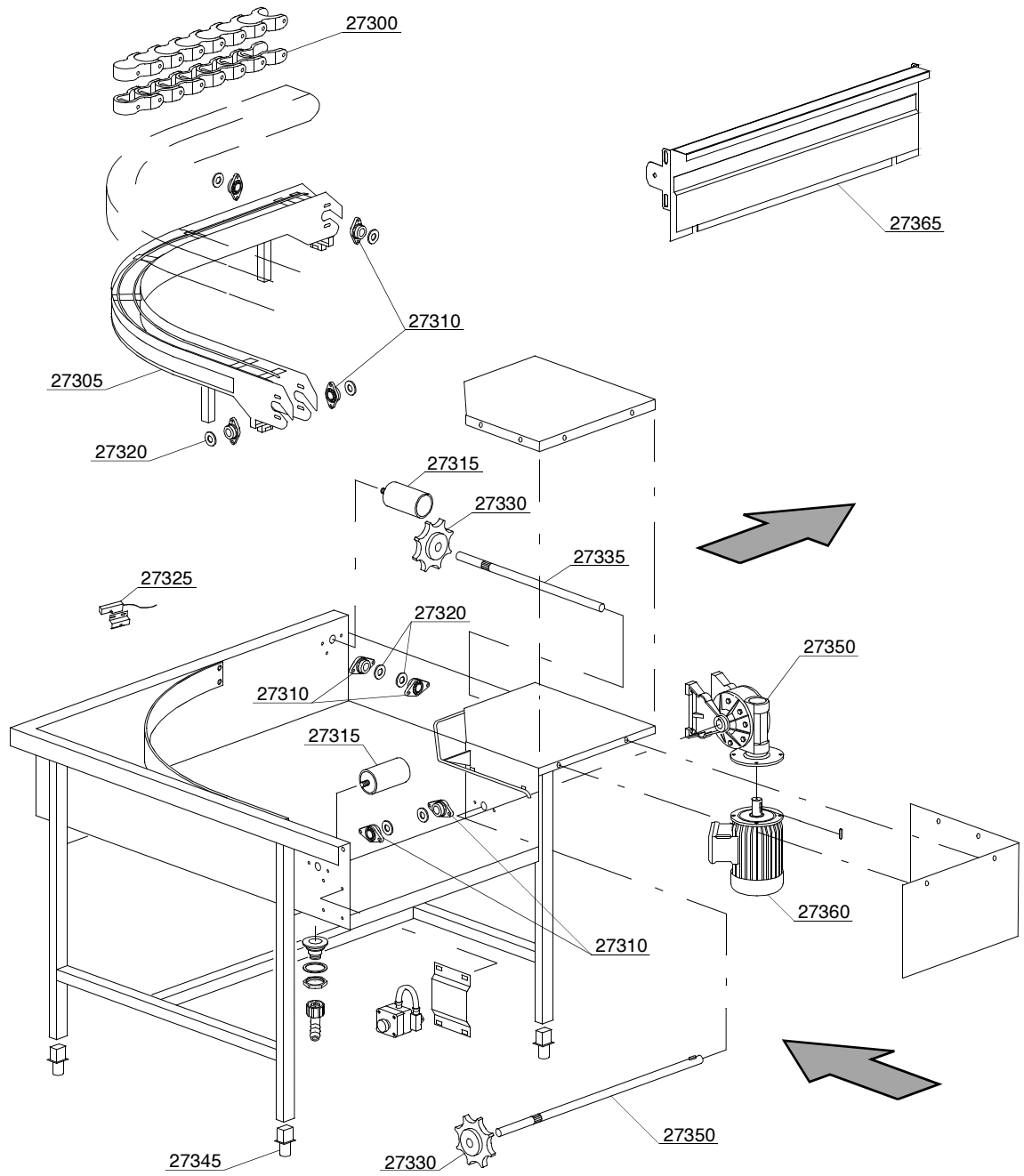
**Motorized curve 90° - LC 97/2: electric parts double speed -
remote control13**

1.1 Voltage codes

Voltage code	Voltage
A	3/N/PE~400/230V 50Hz
B	~250V 16A 50Hz
C	3/N/PE~380/220V 50Hz
D	3/PE~200V 50-60Hz
F	2/PE 220-240V 50Hz
G	3/N/PE~415/240V 50Hz
H	3/PE~230V 50Hz
I	3/PE~220V 60Hz
J	3/PE~380 50Hz
K	3/PE~400V 50Hz
L	3/PE~415V 50Hz
M	3/PE~440V 60Hz
N	3/PE~460V 60Hz
O	3/PE~480V 60Hz
P	1/N/PE~220-240V 50Hz
R	2/PE~220-230V 60Hz
S	3/N/PE~400/230V 50Hz
T	3/PE~230V 60Hz

1.2 Product codes

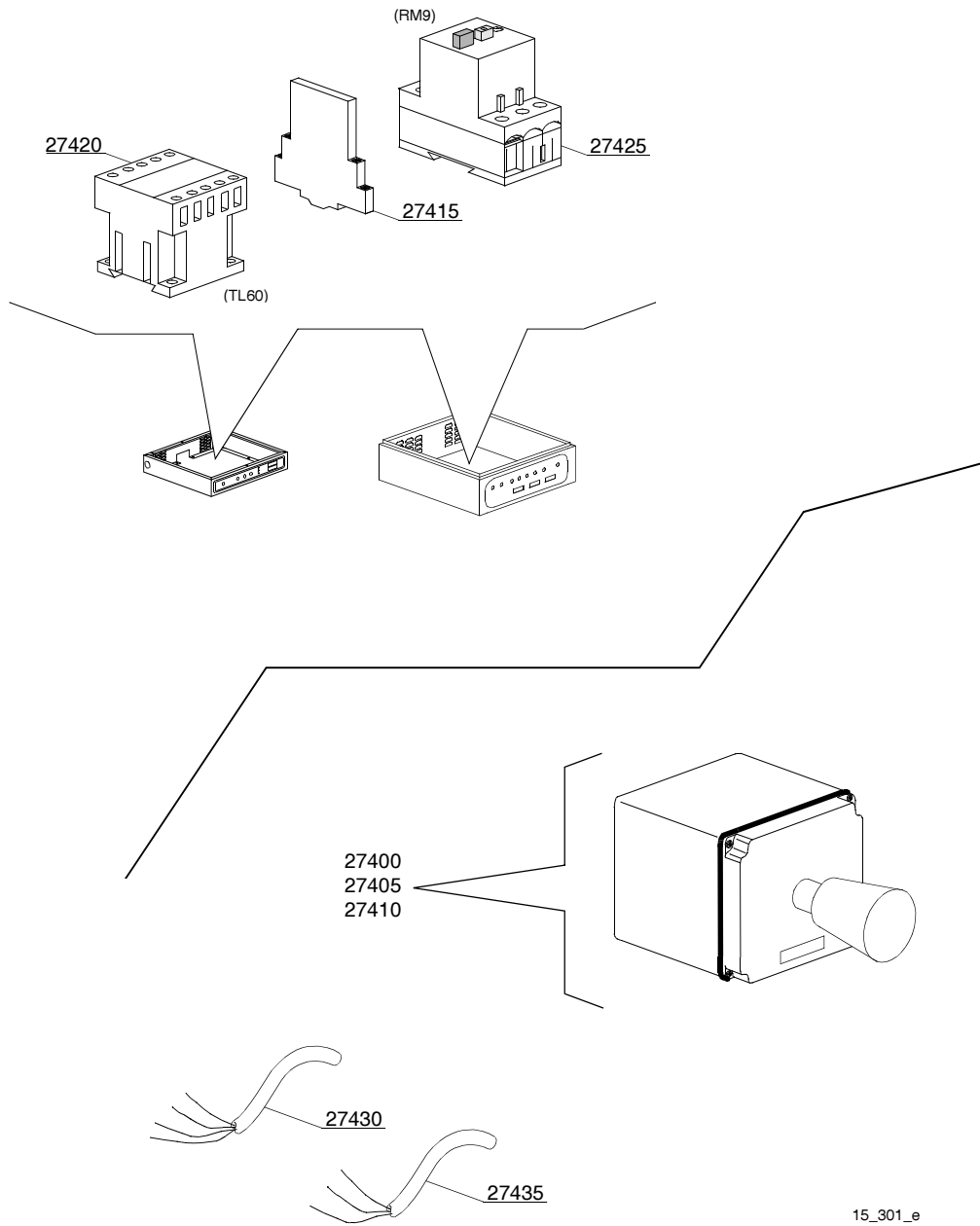
Product code	Full name
Model codes	
Type codes	
972	972
Accessory codes	



15_001_e

Spare parts

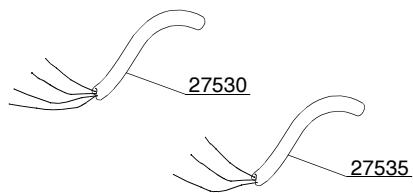
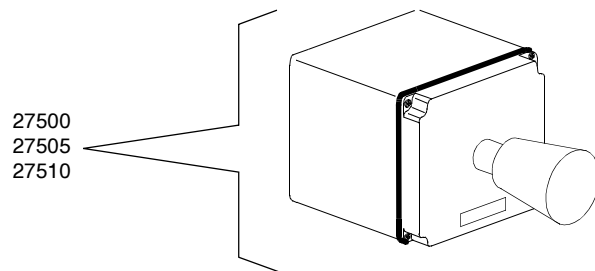
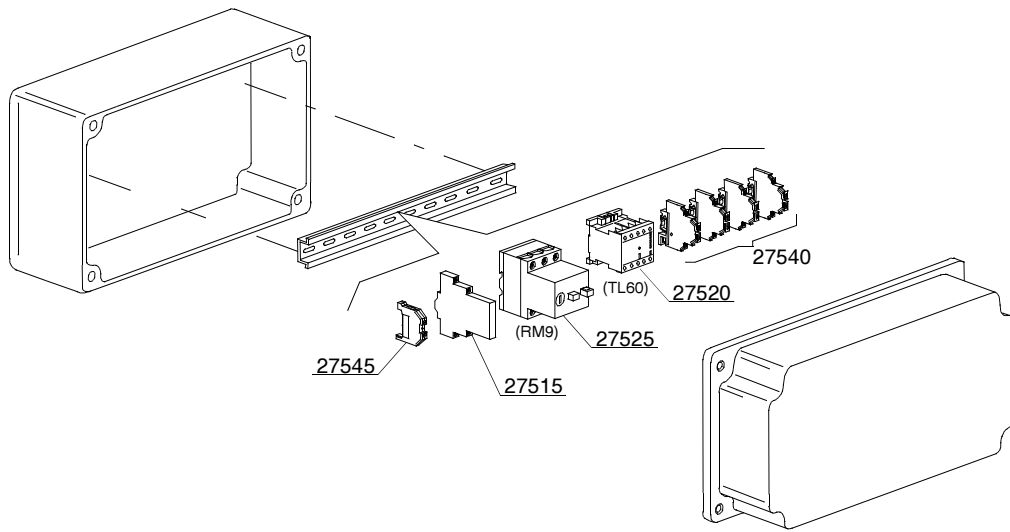
ID	P-code	Model	Type	Accessory	Voltage	Description
MODULE:Motorized curve 90° - LC 97/2						
27300	3000259		34,34HS,22,160,23,24,250,25,26,380,380L,27,28,540,540L,972,974			Chain for roller
27305	3003057		34,34HS,22,160,23,24,250,25,26,380,380L,27,28,540,540L,972,974			Kit guide for chain
27310	3000260		34,34HS,22,160,23,24,250,25,26,380,380L,27,28,540,540L,972,974			Flange for chain
27315	3000262		34,34HS,22,160,23,24,250,25,26,380,380L,27,28,540,540L,972,974			Ø50x80 embossment roller
27320	3003048		34,34HS,22,160,23,24,250,25,26,380,380L,27,28,540,540L,972,974			Spacer for bearings
27325	3003112		34,34HS,22,160,23,24,250,25,26,380,380L,27,28,540,540L,972,974			Door microswitch
27330	3000261		34,34HS,22,160,23,24,250,25,26,380,380L,27,28,540,540L,972,974			8 teeth pinion
27335	3003050		34,34HS,22,160,23,24,250,25,26,380,380L,27,28,540,540L,972,974			Neutral shaft for chain
27345	3000252		34,34HS,22,160,23,24,250,25,26,380,380L,27,28,540,540L,972,974			Adjustable food
27350	3003047		34,34HS,22,160,23,24,250,25,26,380,380L,27,28,540,540L,972,974			Shaft for chain rotation
27350	3000254		34,34HS,22,160,23,250,24,25,972,974			Gear right 1:100
27350	3000250		26,380,380L,27,28,540,540L,972,974			Gear left 1:70
27360	3000102		34,34HS,22,160,972,974		A	Conveyor motor
27360	3000107		23,250,972,974		A	Conveyor motor
27360	3000108		23,250,972,974			Conveyor motor
27360	3000110		24,25,26,380,380L,27,28,540,540L,972,974		A	Conveyor motor
27360	3000109		24,25,26,380,380L,27,28,540,540L,972,974			Conveyor motor
27360	3000251		34,34HS,22,160,23,24,250,25,26,380,380L,27,28,540,540L,972,974		A	Conveyor motor
27365	3009657		34,34HS,972,974			Adapter



15_301_e

Spare parts

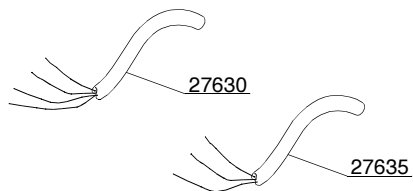
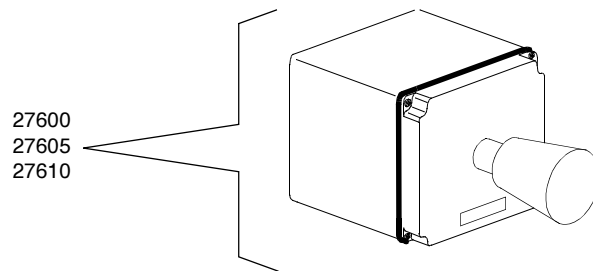
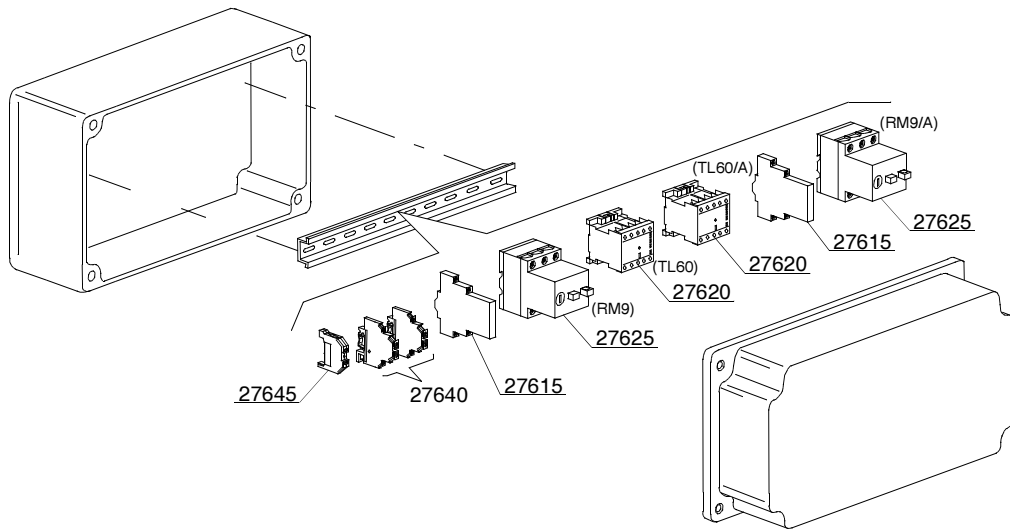
ID	P-code	Model	Type	Accessory	Voltage	Description
MODULE:Motorized curve 90° - LC 97/2: electric parts						
27400	3000264		34,34HS,22,160,23,24,250,25,26,3 80,380L,27,28,540,540L,972,974			Emergency box
27405	3000263		34,34HS,22,160,23,24,250,25,26,3 80,380L,27,28,540,540L,972,974			Emergency switch
27410	3002059		34,34HS,22,160,23,24,250,25,26,3 80,380L,27,28,540,540L,972,974			1R contact
27415	3006080		34,34HS,22,160,23,24,250,25,26,3 80,380L,27,28,540,540L,972,974			Auxiliary contact LMS25
27420	2000370		34,34HS,22,160,23,24,250,25,26,3 80,380L,27,28,540,540L,972,974			Contactora MC9
27425	2000390		34,34HS,22,160,23,24,250,25,26,3 80,380L,27,28,540,540L,972,974			Motorprotector 1 - 1.6A
27430	3006134		34,34HS,22,160,23,24,250,25,26,3 80,380L,27,28,540,540L,972,974			Flame-retardant cable 4x1,5mm
27435	3006136		34,34HS,22,160,23,24,250,25,26,3 80,380L,27,28,540,540L,972,974			Flame-retardant cable 3x1 mm



15_302_e

Spare parts

ID	P-code	Model	Type	Accessory	Voltage	Description
MODULE:Motorized curve 90° - LC 97/2: electric parts single speed - remote control						
27500	3000264		34,34HS,22,160,972,974			Emergency box
27505	3000263		34,34HS,22,160,972,974			Emergency switch
27510	3002059		34,34HS,22,160,972,974			1R contact
27515	3006080		34,34HS,22,160,972,974			Auxiliary contact LMS25
27520	2000370		34,34HS,22,160,972,974			Contactore MC9
27525	2000390		34,34HS,22,160,972,974			Motorprotector 1 - 1.6A
27530	3006134		34,34HS,22,160,972,974			Flame-retardant cable 4x1,5mm
27535	3006136		34,34HS,22,160,972,974			Flame-retardant cable 3x1mm
27540	3006092		34,34HS,22,160,972,974			Clamp 4mm
27545	10300401		34,34HS,22,160,972,974			Earth clamp 4mm



15_303_e

Spare parts

ID	P-code	Model	Type	Accessory	Voltage	Description
MODULE:Motorized curve 90° - LC 97/2: electric parts double speed - remote control						
27600	3000264		23,24,250,25,26,380,380L,27,28,5 40,540L,972,974			Emergency box
27605	3000263		23,24,250,25,26,380,380L,27,28,5 40,540L,972,974			Emergency switch
27610	3002059		23,24,250,25,26,380,380L,27,28,5 40,540L,972,974			1R contact
27615	3006080		23,24,250,25,26,380,380L,27,28,5 40,540L,972,974			Auxiliary contact LMS25
27620	2000370		23,24,250,25,26,380,380L,27,28,5 40,540L,972,974			Contacteur MC9
27625	2000390		23,24,250,25,26,380,380L,27,28,5 40,540L,972,974			Motorprotector 1 - 1.6A
27630	3006134		23,24,250,25,26,380,380L,27,28,5 40,540L,972,974			Flame-retardant cable 4x1,5mm
27635	3006136		23,24,250,25,26,380,380L,27,28,5 40,540L,972,974			Flame-retardant cable 3x1 mm
27640	3006092		23,24,250,25,26,380,380L,27,28,5 40,540L,972,974			Clamp 4mm
27645	10300401		23,24,250,25,26,380,380L,27,28,5 40,540L,972,974			Earth clamp 4mm