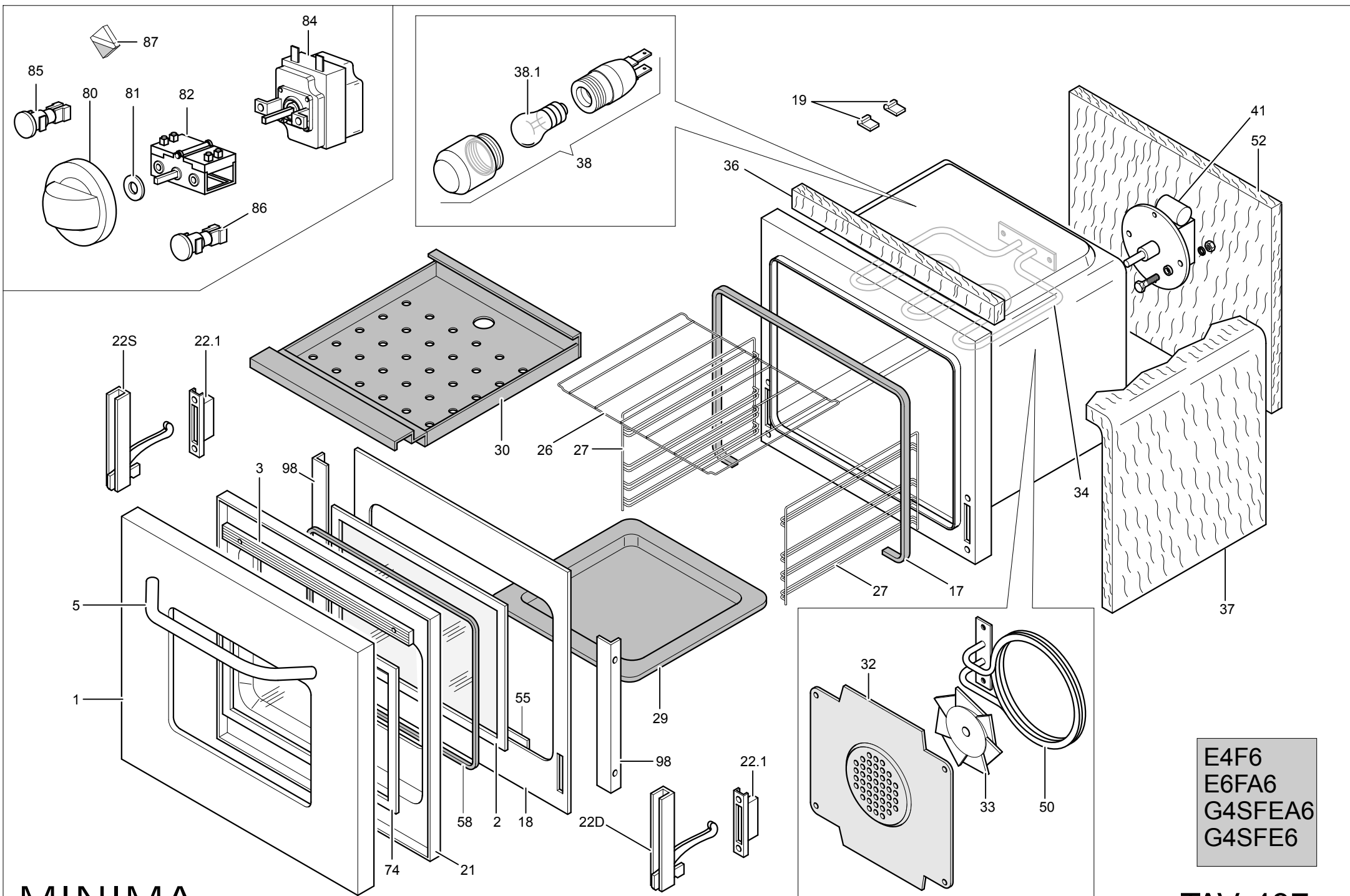


G4SFE6

MINIMA

TAV. 436

| TABLE         | POS. | CODE       | ITALIAN                              | ENGLISH                    | FRANÇAIS                               | DEUTSCH                         |
|---------------|------|------------|--------------------------------------|----------------------------|--|---------------------------------|
| MINIMATAV.436 | 1    | PACU600340 | CRUSCOTTO G4SFE6                     | REFERENCE FIRES            | TABLEAU CONTR. G4SF6                   | ARMATURENBRETT                  |
| MINIMATAV.436 | 2    | PACU600049 | PLACCA G4S6                          | WORK PLANE                 | PLAN DE CUISSON                        | PLATTE                          |
| MINIMATAV.436 | 3    | PACU600054 | POSTERIORE INOX G4S6                 | STAINLESS STEEL BACK PANEL | PANNEAU POSTÉRIEURE INOX               | INOX-RÜKWAND                    |
| MINIMATAV.436 | 4    | PACU600002 | FIANCO SX G4S6                       | LEFT SIDE                  | CÔTÉ GAUCHE                            | RECHTE SEITE                    |
| MINIMATAV.436 | 5    | GACU600007 | AS.CAMINETTO SUP.G4S6/1              | CHIMNEY                    | CHEMINÉE                               | SCHORNSTEIN                     |
| MINIMATAV.436 | 6    | RTCU600019 | GRIGLIA PL.G4S6 NERA/LUC/RAAF        | GRATE G4S6                 | GRILLE G4S6                            | ROST                            |
| MINIMATAV.436 | 7    | PACU600003 | FIANCO DX G4S6                       | RIGHT SIDE                 | CÔTÉ DROITE                            | RECHTE SEITE                    |
| MINIMATAV.436 | 9    | RTCU600112 | TU.AL.BRUC.ANT.SX G4S6               | TUBO AL.ANTERIORE SX       | TUYAU D'ALIMENTATION ANTÉRIEUR GAUCHE  | TUBO AL.ANTERIORE SX            |
| MINIMATAV.436 | 10   | RTCU600017 | BRUC.3KW+I.D.1,15 G4S6 803/22        | BURNER 3KW                 | BRÛLEUR 3KW                            | BRENNER 3KW                     |
| MINIMATAV.436 | 11   | RTCU600043 | SPARTIFIAMMA 3KW G4S6 806/3          | BURNER CAP 3KW             | CHAPEAU DU BRÛLEUR 3KW                 | FLAMMERBRENNER 3KW              |
| MINIMATAV.436 | 12   | RTCU600044 | COPERCHIO BRUC.3KW 809/31            | COVER 3KW                  | COUVERCLE 3KW                          | BECKENABDECKUNG 3KW             |
| MINIMATAV.436 | 13   | RTCU600113 | TU.AL.BRUC.POST.SX G4S6              | TUBO AL.POSTERIORE SX      | TUYAU D'ALIMENTATION POSTÉRIEUR GAUCHE | TUBO AL.POSTERIORE SX           |
| MINIMATAV.436 | 14   | RTCU600018 | BRUC.3,6KW+I.D1,35 G4S6 740/58       | BURNER 3,6KW               | BRÛLEUR 3,6KW                          | BRENNER 3,6KW                   |
| MINIMATAV.436 | 15   | RTCU600042 | SPARTIFIAMMA 3,6KW G4S6 741/03       | BURNER CAP 3,6KW           | CHAPEAU DU BRÛLEUR 3,6KW               | FLAMMERBRENNER 3,6KW            |
| MINIMATAV.436 | 16   | RTCU600040 | COPERCHIO EST.BRUC.3,6KW 744/3       | COVER 3,6KW                | COUVERCLE 3,6KW                        | BECKENABDECKUNG 3,6KW           |
| MINIMATAV.436 | 17   | RTCU600041 | COPERCHIO CENT.B.3,6KW 943/31        | COPERCHI CENTR. 3,6KW      | COPERCHI CENTR. 3,6KW                  | COPERCHI CENTR. 3,6KW           |
| MINIMATAV.436 | 18   | RTCU600021 | T/COPPIA BRUC.3KW 810                | THERMOCOUPLE 3KW           | THERMOCOUPLE 3KW                       | THERMOELEMENT 3KW               |
| MINIMATAV.436 | 19   | RTCU600045 | CAND.ACC.BRUC.3KW 812                | SPARK PLUG3KW              | ELECTRODE ALLUMAGE ACC.3KW             | ZÜDKERZE3KW                     |
| MINIMATAV.436 | 20   | RTCU600089 | INIET.SAB/D.0.84 0222                | INJECTOR SAB D.084         | INJECTEUR SAB D.084                    | EINSPRITZERSAB D.084            |
| MINIMATAV.436 | 21   | RTCU600046 | CAND.ACC.BRUC.3,6KW 746              | SPARK PLUG 3,6KW           | ELECTRODE ALLUMAGE ACC. 3,6KW          | ZÜDKERZE 3,6KW                  |
| MINIMATAV.436 | 22   | RTCU600039 | T/COPPIA BRUC.3,6KW 747              | THERMOCOUPLE 3,6KW         | THERMOCOUPLE 3,6KW                     | THERMOELEMENT 3,6KW             |
| MINIMATAV.436 | 23   | RTCU600101 | INIET.SAB/D.0.93 0222                | INJECTOR SAB D.093         | INJECTEUR SAB D.093                    | EINSPRITZERSAB D.093            |
| MINIMATAV.436 | 24   | RTCU600064 | MANOP.RUB.V.G4S6 TURCH.              | KNOB                       | BOUTON                                 | DREHGRIF                        |
| MINIMATAV.436 | 25   | RTCU600054 | STAFFA FIS.RUB.V.G4S6 3755/6         | STIRRUP TAP                | ROBINET ÉTRIER                         | *                               |
| MINIMATAV.436 | 26   | RTCU600016 | RUB.V.CUC.G4S6+GUAR.5631/1CE10       | TAP                        | ROBINET                                | HAHN                            |
| MINIMATAV.436 | 28   | RTCU700293 | MARCHIO RIF.FUOCHI P.L.G4S7          | REFERENCE FIRES            | RÉFÉRENCE DE LES FEUX                  | HINWEIS-FEUER                   |
| MINIMATAV.436 | 29   | RTCU600193 | AS. RAMPA ZINC.                      | RIGHT SIDE                 | GR.RAMPE G4SFE6 ZING.                  | EINHEIT RAMPE ZINC.             |
| MINIMATAV.436 | 31   | RTCU700292 | *MARCHIO+CLIPS MBM TURCH.            | MBM MARK                   | MARQUE MBM                             | LOGO MBM                        |
| MINIMATAV.436 | 32   | RTCU600111 | TU.AL.BRUC.ANT.DX G4S6               | TUBO AL.ANTERIORE DX       | TUYAU D'ALIMENTATION ANTÉRIEUR DROIT   | TUBO AL.ANTERIORE DX            |
| MINIMATAV.436 | 33   | RTCU600110 | TU.AL.BRUC.POST.DX G4S6              | TUBO AL.POSTERIORE DX      | TUYAU D'ALIMENTATION POSTÉRIEUR DROIT  | TUBO AL.POSTERIORE DX           |
| MINIMATAV.436 | 34   | RTCU600190 | ACC.E.G4SF6 4USCITE BF5004650        |                            | ALL.E. 4SORTIES BF5004650              | EL. ZÜDUNG. 4AUSGÄNGE BF5004650 |
| MINIMATAV.436 | 35   | RTCU700294 | MARCHIO RIF.FUOCHI FORNO G4SF7       | TERMINAL BLOCK 6 POLES     | MARQUE                                 | MARK                            |
| MINIMATAV.436 | 36   | RTCU600476 | CAVO ADAT.ACCENSIONE G4S6            |                            | CABLE ADAP.ALLUMAGE G4S6               | ADAPTER KABEL ZÜDUNG            |
| MINIMATAV.436 | 37   | RTCU900415 | CAVO AL.250/SEZ.1,5X3CAVI            | FEEDING CABLE              | CÂBLE DE ALIMENTATION                  | VERSORGUNGSKABEL                |
| MINIMATAV.436 | 38   | RTCU600052 | DADO FIS.T/COPPIA G4S6 0814          | TUBO AL.POSTERIORE DX      | ECROU FIX.T/COUPLE G4S6 0814           | MUTTER THERMOELEMEN 0814        |
| MINIMATAV.436 | 42   | RTCU600047 | MOLLETTA FIS.CAND.ACC.G4S6 813       | GRATE G4S6                 | PINCE FIX.BOUG.ALL.G4S6 813            | KLEMMZANGE ZÜDKERZE             |
| MINIMATAV.436 | 43   | PACU600341 | FIANCO G4SF6                         | TUBO AL.ANTERIORE DX       | COTE G4SF6                             | SEITE                           |
| MINIMATAV.436 | 44   | RTBF900045 | MORSETTIERA 12M-PA220TV SIMB/1-6+1-6 | TERMINAL BLOCK 6 POLES     | GROUPE DE CONNECTION 6 POLES           | KLEMMBRETT 6 POLIG              |
| MINIMATAV.436 | 45   | RTBF700021 | PASSACAVO PG16+DADO 53015140         | CHOCK Ø6                   | CHAUMARD Ø6                            | KABELDURCHGANG Ø6               |
| MINIMATAV.436 | 46   | RTCU600189 | PULSANTE ACC.G4SF6 NERO              | TUBO AL.ANTERIORE DX       | POUSSOIR ALL.G4SF6 NOIR                | ZÜDKNOPF SCHWARZ                |



E4F6  
 E6FA6  
 G4SFEA6  
 G4SFE6

| TABLE   | POS.  | CODE       | ITALIAN                             | ENGLISH                 | FRANÇAIS                           | DEUTSCH                          |
|---------|-------|------------|-------------------------------------|-------------------------|------------------------------------|----------------------------------|
| TAV.437 | 1     | RIC0003754 | BOMBATO PORTA F/60 INOX             | DOOR                    | BOMBE PORTE F/60 INOX              | GEWÖLBTE TÜR F/60 EDELSTAHL      |
| TAV.437 | 2     | RIC0002587 | *CRISTALLO I.G4SF6 9666320200       | CRYSTAL INTERNAL        | CRYSTAL INTERIEUR F/60 ANTHRACITE  | KRISTALL INTERN F/60 DUNKELGRAU  |
| TAV.437 | 3     | RIC0002674 | LISTA RINFORZO MANIGLIA E           | REINFORCE HANDLE        | LATTE RENFORCEMENT POIGNEE E       | VERSTÄRKUNGSLEISTE GRIFF UND     |
| TAV.437 | 5     | RIC0002479 | MANIGLIA PONTE INOX                 | STAINLESS HANDLE BRIDGE | POIGNEE PONT INOX                  | EDELSTAHL BÜGELGRIFF             |
| TAV.437 | 17    | RIC0002340 | GUARNIZIONE FACCIATA F/60           | PACKING FACADE          | JOINT FAÇADE F/60                  | DICHTUNG VORDERSEITE F/60        |
| TAV.437 | 18    | RIC0002675 | *FACCIATA 60 G NERO 3070001104      | FACADE                  | FAÇADE 60G.NOIRE                   | VORDERSEITE SCHWARZ 60 G.        |
| TAV.437 | 21    | RIC0002676 | CONTROPORTA RUS NERO                | C/DOOR BLACK            | FAUSSE PORTE RUS NOIRE             | GEGENTÜR RUS SCHWARZ             |
| TAV.437 | 22.01 | RIC0002448 | *P/RULLINO G4F6 9226105200          | SUPPORT HINGE           | PORTE-ROULEAU CHARNIERE PORTE      | ROLLENFÜHRUNG TÜRSCHARNIER       |
| TAV.437 | 22D   | RIC0002133 | CERNIERA PORTA DX F/E810            | HINGE RIGHT DOOR        | CHARNIERE PORTE D.TE F/E810        | SCHARNIER RECHTE TÜR F/E810      |
| TAV.437 | 22S   | RIC0002134 | CERNIERA PORTA SX F/E810            | HINGE LEFT DOOR         | CHARNIERE PORTE G.CHE F/E810       | SCHARNIER LINKE TÜR F/E810       |
| TAV.437 | 26    | RIC0003121 | GRIGLIA INTERNA SAGOMATA F/60       | INTERNAL GRATE          | GRILLE INTERIEURE FAÇONNEE F/60    | PROFILGITTER INNEN F/60          |
| TAV.437 | 27    | RIC0003122 | GUIDA LATERALE F/60                 | LATERAL GUIDE           | GUIDE LATERALE F/60                | SEITLICHE FÜHRUNG F/60           |
| TAV.437 | 29    | RIC0002745 | PADELLA E NERO                      | FRYING PAN BLACK        | POELE E NOIRE                      | PFANNE SCHWARZ                   |
| TAV.437 | 30    | 3180001800 | SCATOLA SUPPORTO BRUCIATORE GL      | BURNER SUPPORT BOX      | BOITE SUPPORT BRULEUR GL           | KASTENHALTERUNG BRENNER GL       |
| TAV.437 | 32    | 3150000119 | PANNELLO COPRIVENTOLA E AUTOPULENTE | PANNEL PLUGFAN          | PANNEAU DE L'ABRI DU VENTILATEUR   | TAFEL DER FÄCHER-DECKE           |
| TAV.437 | 34    | RIC0001836 | RESISTENZA GRILL F/60 NIP           | RESISTANCE GRILL        | RESISTANCE GRILL F/60 NIP          | GRILLWIDERSTAND F/60 NIP         |
| TAV.437 | 36    | 9807211000 | PANNELLO ISOLANTE CIELO F/60        | ISOLANT PANNEL          | PANNEAU ISOLANT CIEL F/60          | ISOLIERPANEEL OBEN F/60          |
| TAV.437 | 37    | 9807207000 | MATERASSINO ISOLANTE F/60           | INSULATING MATTRESS     | PETIT MATELAS ISOLANT F/60 GAZ     | ISOLIERMATTE                     |
| TAV.437 | 38    | RIC0002592 | P/LAMPADA COMPLETO                  | COMPLETE LAMP ASSEMBLY  | DOUILLE BLINDEE                    | LAMPENHALTERUNG MIT SCHUTZ       |
| TAV.437 | 38.1  | RIC0002549 | LAMPADA FORNO                       | LAMP OVEN               | LAMPE P/DOUILLE BLINDEE            | LAMPE/LAMPENHALTERUNG MIT SCHUTZ |
| TAV.437 | 41    | RIC0002339 | MOTOVENTILATORE 220/240V.           | MOTOFAN                 | VENTILATEUR 220/240V               | VENTILATOR 220/240V              |
| TAV.437 | 50    | RIC0001835 | RESISTENZA 2,5KW                    | RESISTANCE              | RESISTANCE 3SP 1500/3000W 220/240V | WIEDERSTAND                      |
| TAV.437 | 52    | 9807222000 | PANNELLO ISOLANTE SCHIENA F/60      | ISOLANT PANNEL          | PANNEAU ISOLANT DOS F/60           | ISOLIERPANEEL                    |
| TAV.437 | 55    | RIC0002677 | *SQ.VETRO C/PORTE 3200001740        | GREEN WARNING LAMP      | EQUERRE FIXE VERRE FAUSSE PORTE    | FESTER WINKEL GLAS GEGENTÜR      |
| TAV.437 | 58    | RIC0002676 | CONTROPORTA RUS NERO                | C/DOOR BLACK            | FAUSSE PORTE RUS NOIRE             | GEGENTÜR RUS SCHWARZ             |
| TAV.437 | 74    | RIC0002679 | *CRISTALLO INT.9666310200           | INTERNAL CRYSTAL        | CRYSTAL INTERIEUR FI/60 FIXE       | KRISTALL INNEN FI/60 FEST        |
| TAV.437 | 80    | RTCU600195 | MANOP.TERM.F.E4F6                   | THERMOSTAT KNOB         | BOUTON DU THERMOSTAT F E4F6        | THERMOSTATKUGELGRIFF             |
| TAV.437 | 82    | RTCU600185 | COMM.F.G4SFE6 4623966811            | YELLOW WARNING LAMP     | COMMUTEUR F G4SFED                 | KOMMUTATOR                       |
| TAV.437 | 84    | RTCU600186 | T.E.E4F6 5519052846                 | THERMOSTAT E E4F6       | THERMOSATE                         |                                  |
| TAV.437 | 85    | RTCU900072 | LAMP.SP.GIALLA/250V/TBF013.SF6      | YELLOW WARNING LAMP     | LAMPE TÉMOIN JAUNE                 | GELBE KONTROLLEUCHTE             |
| TAV.437 | 86    | RTCU900290 | LAMP.SP.VERDE/250V/TBF013.SF6       | GREEN WARNING LAMP      | LAMPE TEMOIN VERTE                 | GRÜNE KONTROLLEUCHTE             |
| TAV.437 | 87    | RTCU700294 | MARCHIO RIF.FUOCHI FORNO G4SF7      | MARQUE                  | MARK                               | MARK                             |
| TAV.437 | 98    | RIC0003761 | SQUADRA FISSA FORNO A FACCIATA      | BRAKED TO FIX OVEN      | EQUERRE FIXE FOUR A FAÇADE         | FESTER BÜGEL EINBAU-OFEN         |