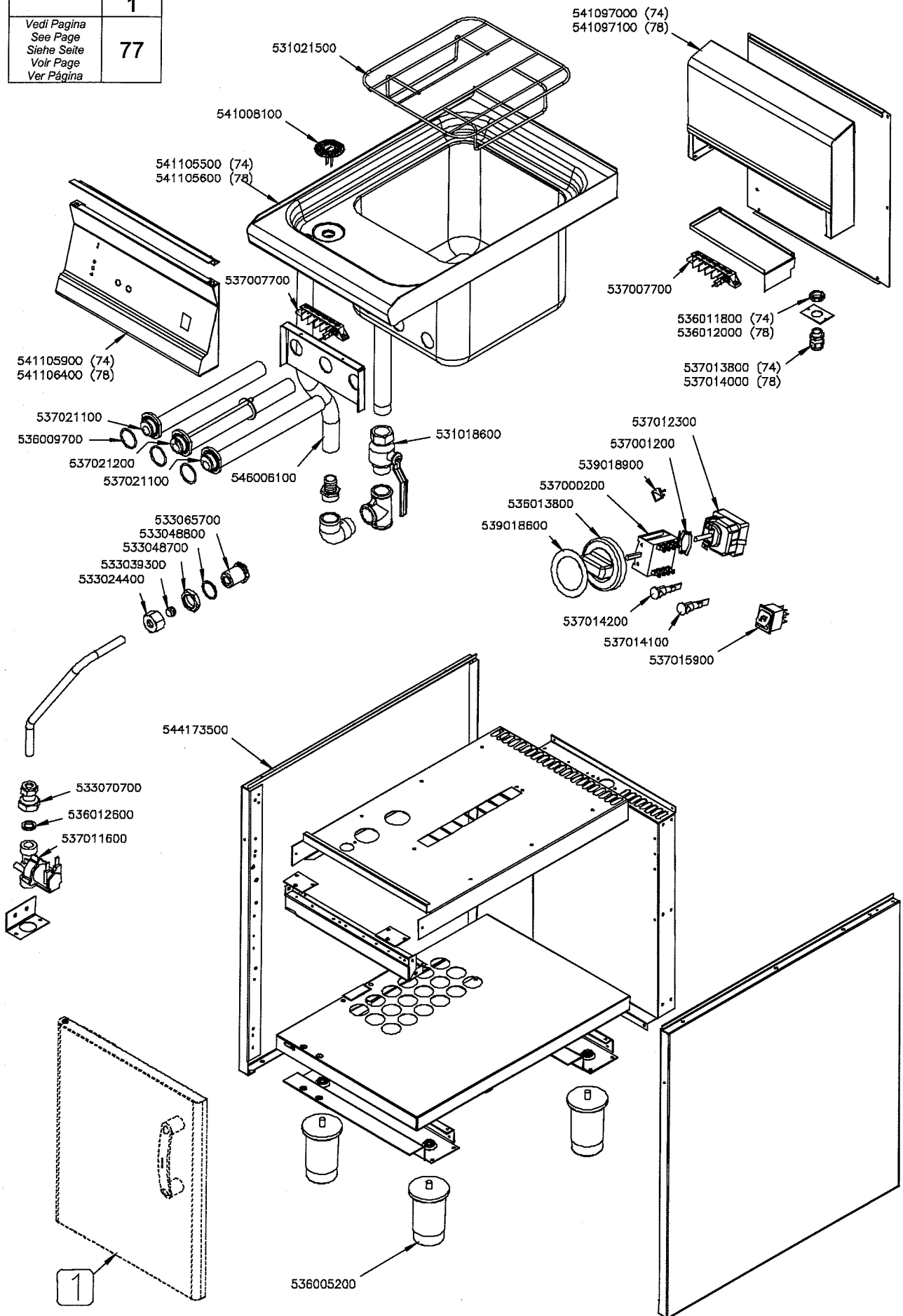
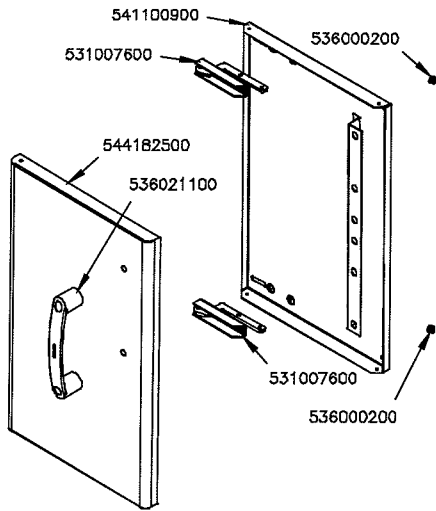


**CP-74ET CP-78ET**

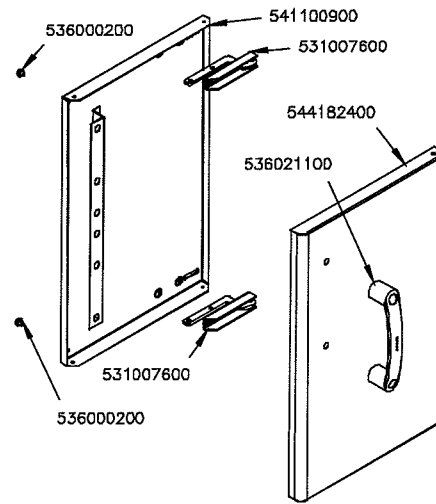
	<b>1</b>
Vedi Pagina See Page Siehe Seite Voir Page Ver Página	<b>77</b>



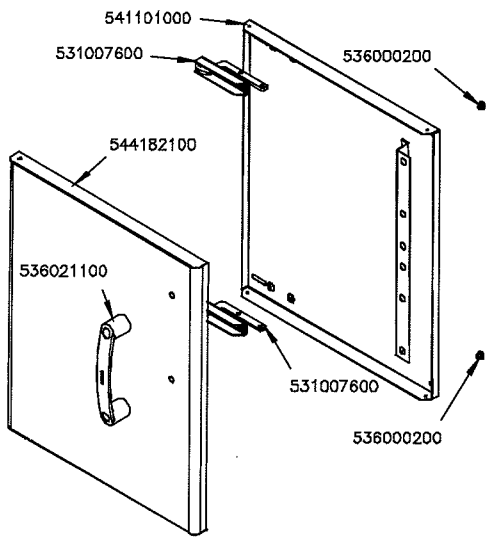
**PORTE MOBILE / DOORS OF THE STAND / FLÜGELÜREN DES UNTERSCHRANK / PORTES DU PLACARD**



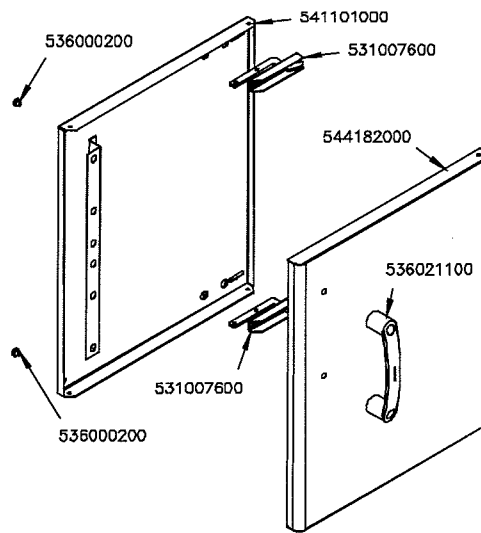
P-73 SX



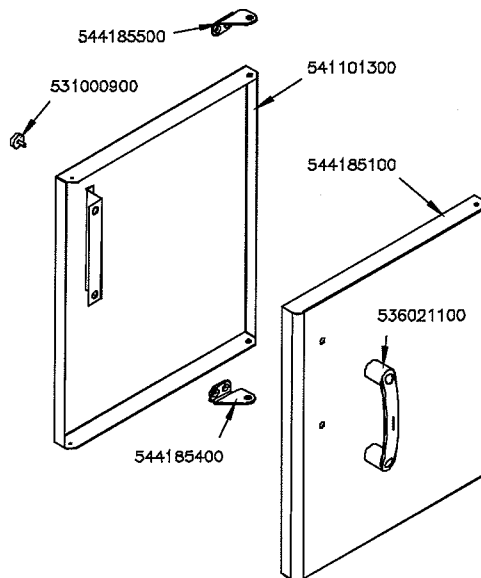
P-73 DX



P-74 SX



P-74 DX



P-74 DX CF

Page	Pos	Code	Description
001		541097000	NEUTRAL SPACER 74
001		531021500	BASKET SUPPORT GRID CP S.70
001		541008100	DRAIN FILTER TANK CP 700LINE
001		541105500	UPPER PLATE CP-74E
001		537007700	TERMINAL BLOCK THREEPHASE 40A
001		536011800	HEXAGONAL LOCK NUT PG-13,5
001		537013800	CABLE SECURING CLAMP PG-13,5
001		541105900	CONTROL PANEL BS-74E
001		537021100	HEATING ELEMENT 2000W
001		536009700	GASKET O-RING SILIC.70 RED
001		537021200	HEATING ELEMENT 2000W
001		546006100	RUBBER TUBE §25INT.*§33EXT.*L=560
001		531018600	BALL VALVE 1"G M-F CPM-62G
001		533065700	FITTING FOR WATER INPUT 1/2G
001		533048800	GASKET §30*§21*2 FIBRE
001		533048700	NUT 1/2G ZN
001		533039300	BICONE §10
001		533024400	HEXAGONAL NUT 1/2G TUBE D.10
001		537012300	THERMOSTAT 30/110°C THREEPHASE
001		537001200	FIXING BRACKET FOR THERMOSTAT/COMM.
001		539018900	INDEX FOR KNOB
001		537000200	COMMUTATOR 1 POS. 3PHASE S.49 16A
001		535013800	
001		539018600	ADHESIVE GRADUATED DISC FOR KNOB
001		537014200	GREEN WARNING LIGHT 250V
001		537014100	WHITE WARNING LIGHT 250V
001		537015900	BIPOLAR SWITCH
001		533070700	FITTING 1/2G TUBE D10 + O-RING
001		536012600	GASKET §12,5*§18,5*2 1/2G
001		537011600	1IN+1OUT VALVE 180°C 230V 1/2G
001		536005200	INOX LEG 2" 120-180 M10
001		544173500	LEFT SIDE PANEL S.70
002		531007600	DOOR HINGE
002		536021100	BLACK HANDLE 70LINE + 2RED POINTS
002		536000200	D.12 H.4 BUMPER
002		541101000	INNER DOOR 74
002		544182100	LEFT DOOR 74
002		544182000	RIGHT DOOR 74
002		544185500	UPPER DOOR HINGE FOR COMPARTME CF70
002		531000900	MAGNET §22 KG.3 WITH DISK
002		541101300	RIGHT INNER DOOR 74 CF
002		544185100	RIGHT DOOR 74
002		544185400	LOWER DOOR HINGE FOR COMPARTME CF70