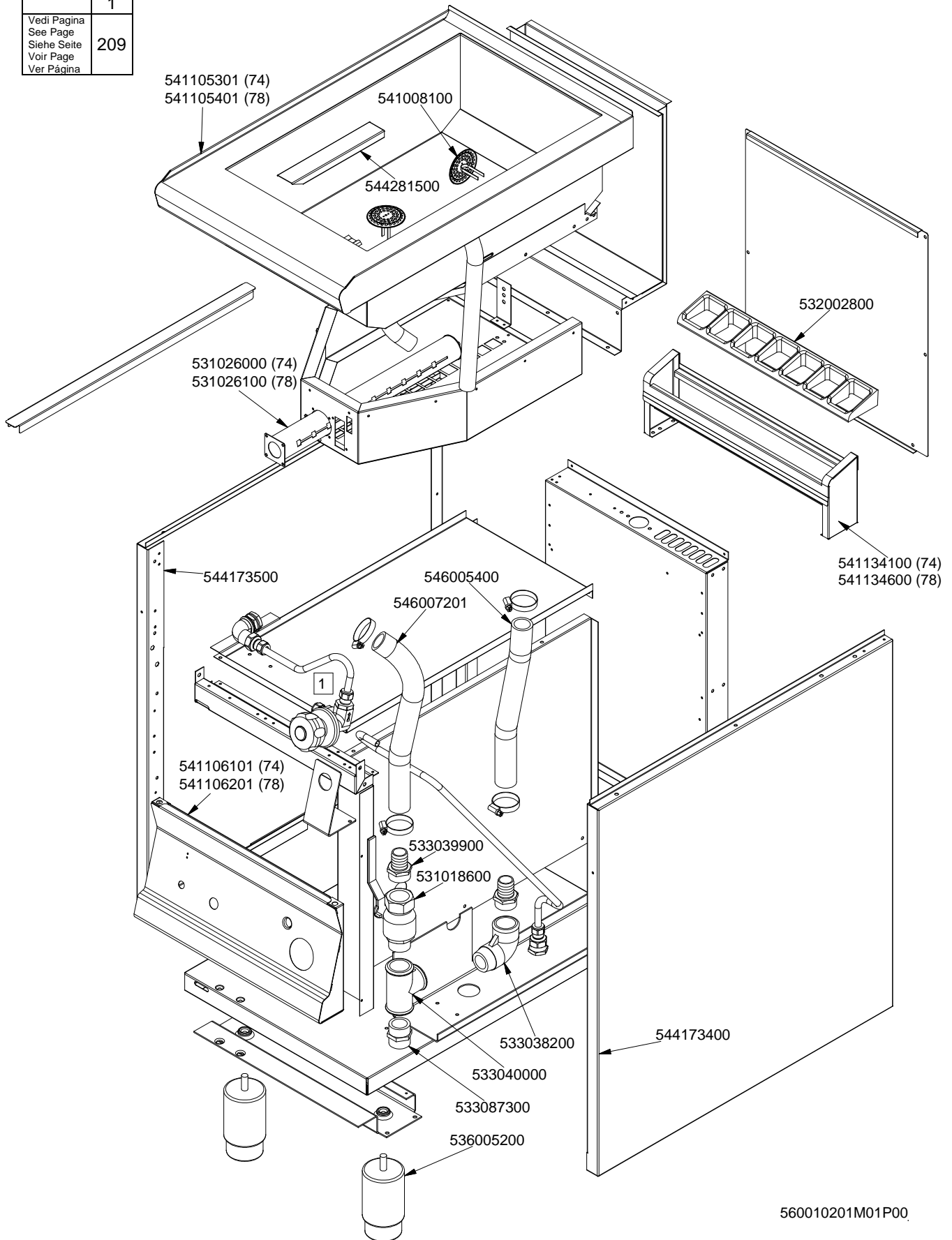


# SUPERLOTUS 70≥0602

GAS / GAS / GAS / GAZ

BM-74G BM-78G N°≤0705

	1
Vedi Pagina See Page Siehe Seite Voir Page Ver Página	209

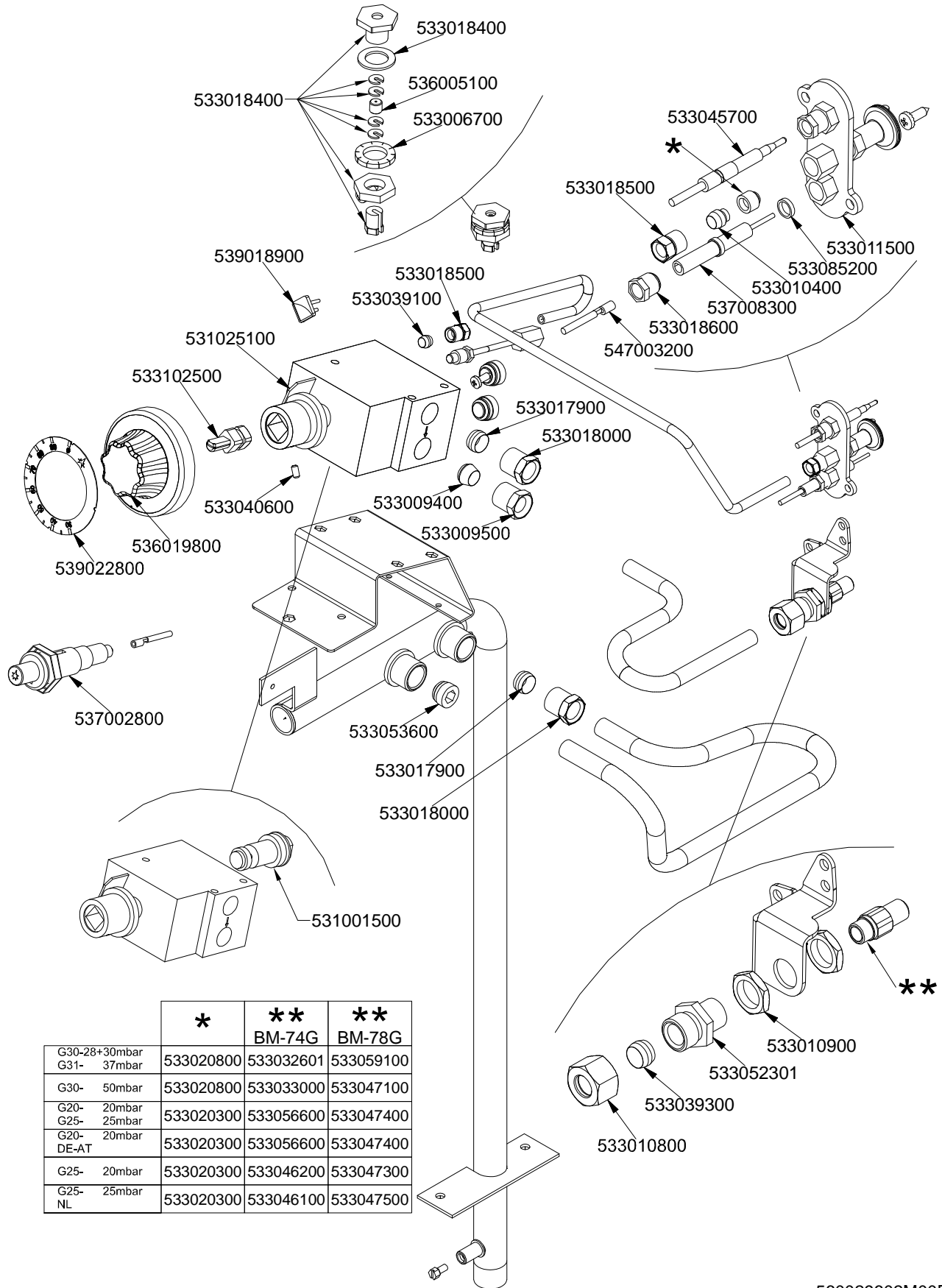


560010201M01P00

# SUPERLOTUS 70≥0602

GAS / GAS / GAS / GAZ

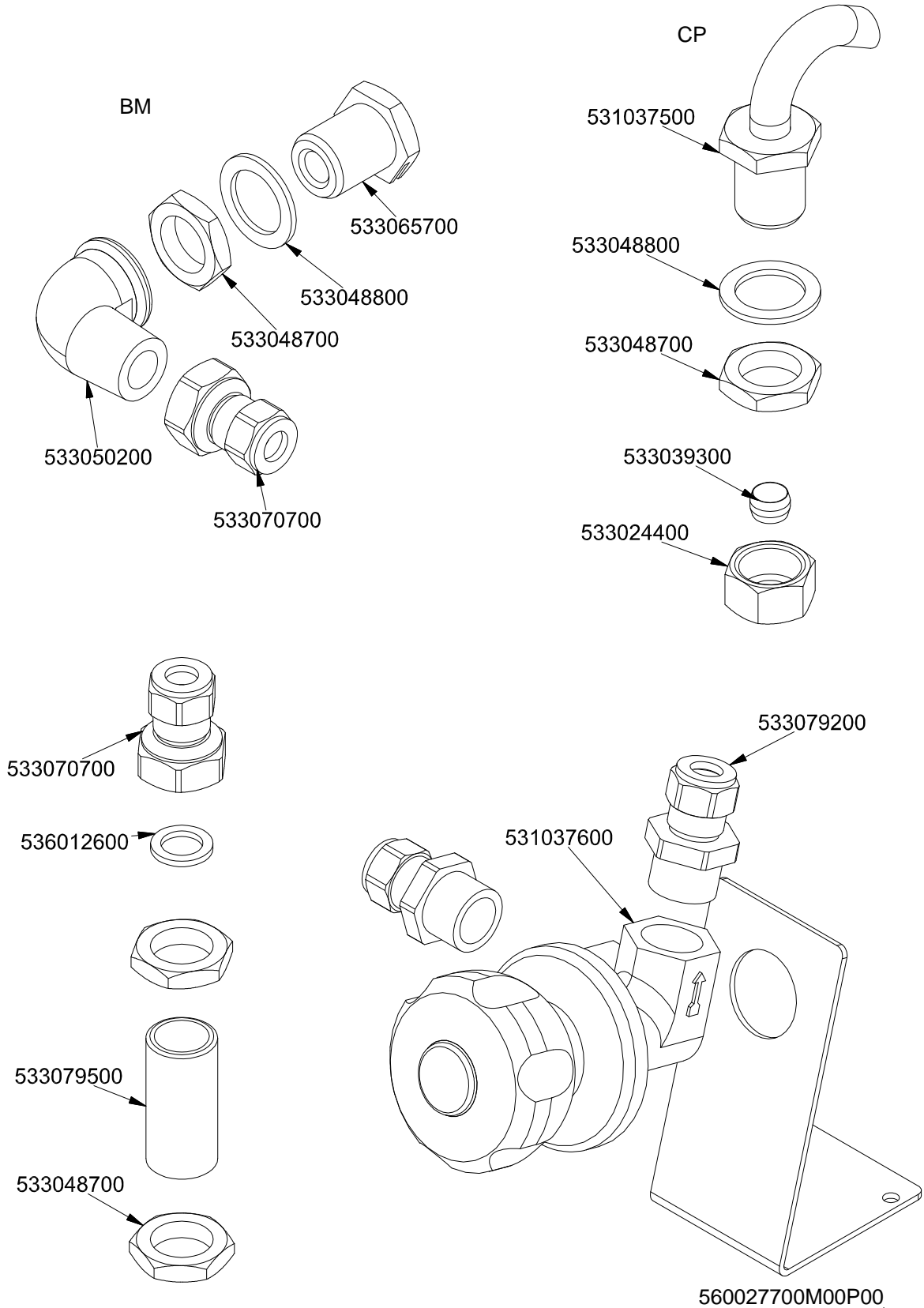
## BM-74G BM-78G N°≤0705



	*	**	**
		BM-74G	BM-78G
G30-28+30mbar	533020800	533032601	533059100
G31- 37mbar			
G30- 50mbar	533020800	533033000	533047100
G20- 20mbar	533020300	533056600	533047400
G25- 25mbar			
G20- 20mbar	533020300	533056600	533047400
DE-AT			
G25- 20mbar	533020300	533046200	533047300
G25- 25mbar	533020300	533046100	533047500
NL			

560029602M00P00

**BM CP**



Page	Pos	Code	Description
001		541105301	UPPER PLATE BM-74G
001		541008100	DRAIN FILTER TANK CP 700LINE
001		544281500	PROBE PROTECTION BM/BS-65
001		532002800	GRID FOR PIPE L=370 S.70
001		531026000	BURNER FT-4/6/8G BM-4G
001		541134100	LOW SPACER 74 1 GRID
001		544173500	LEFT SIDE PANEL S.70
001		546005400	RUBBER TUBE §25INT.*§33EXT.*L=540
001		546007201	RUBBER TUBE §25INT.*§33EXT.*L=360
001		541106101	CONTROL PANEL BM-74/94G
001		533039900	PIPE HOLDER 1" G M D.24
001		531018600	BALL VALVE 1"G M-F CPM-62G
001		533038200	1" G M-F ELBOW FITTING
001		533040000	1"G F-F-F "T" FITTING
001		533087300	HEXAGONAL BICONE 1G
001		536005200	INOX LEG 2" 120-180 M10
001		544173400	RIGHT SIDE PANEL S.70
002		533018400	THREADED FITTING
002		536005100	GRAPHITE §07,4 GASKET
002		533006700	NOTCHED WASHER D.14
002		533045700	THERMOCOUPLE M9*1 500
002		533018500	FITTING FOR BICONE D.6 M10*1
002		533011500	PILOT BURNER 2 FLAMES 220
002		533085200	
002		533010400	BICONE D.6
002		537008300	ROUND PLUG §2,4- LONG ELECTRODE
002		533018600	PLUG FITTING
002		547003200	HIGH-VOLTAGE CABLE TUBE.§2 L=500
002		533017900	BICONE D.12
002		533018000	ELBOW FOR BICONE D.12 3/8 RS L20
002		533039100	BICONE §6
002		539018900	INDEX FOR KNOB
002		531025100	EUROSIT VALVE BM 30-100°C
002		533102500	
002		539022800	ADHESIVE GRADUATED DISC FOR KNOB
002		536019800	BLACK KNOB §70 PIN §8*6,5
002		533040600	HEADLESS SCREW M4*8
002		533009400	BICONE 10S
002		533009500	NIPPLE FOR BICONE 10S
002		533053600	EUROSIT VALVE PLUG
002		531001500	MAGNET FOR EUROSIT VALVE
002		533010900	NUT M14*1 H.4
002		533052301	JOINT FOR NOZZLE HOLDER
002		533039300	BICONE §10
002		533010800	TUBE NUT D.10 M16*1,5
002		533020800	NOZZLE 0160-FLUSS. (25)
002		533032601	NOZZLE §85 CH12X30,0
002		533033000	NOZZLE §075 CH12X30,0
002		533020300	NOZZLE 0160 (NATURAL GAS) 1-2 (41)
002		533056600	NOZZLE §135 CH12*30 M-BM4
002		533046200	NOZZLE §150 CH12X30 L-BR TP

Page	Pos	Code	Description
002		533046100	NOZZLE §140 CH12X30 MH-BR
003		533065700	FITTING FOR WATER INPUT 1/2G
003		533048800	GASKET §30*§21*2 FIBRE
003		533048700	NUT 1/2G ZN
003		533050200	90° 1/2 M/F ELBOW FITTING
003		533070700	FITTING 1/2G TUBE D10 + O-RING
003		531037500	
003		533039300	BICONE §10
003		533024400	HEXAGONAL NUT 1/2G TUBE D.10
003		533079200	FITTING 1/2G F.TUBE D10 + O-RING
003		536012600	GASKET §12,5*§18,5*2 1/2G
003		531037600	TAP FOR WATER LOADING 1/2"GF CP 90
003		533079500	