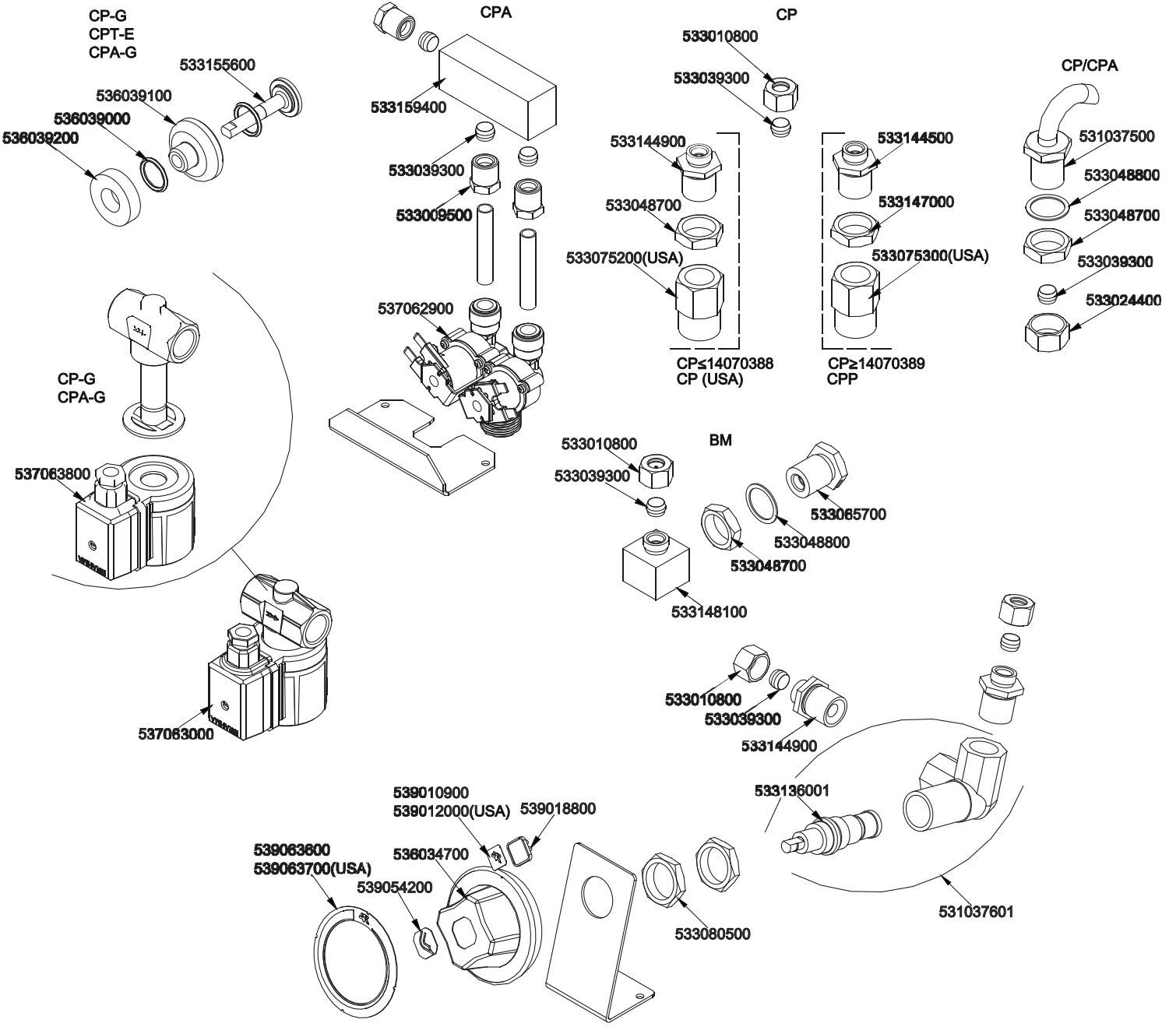
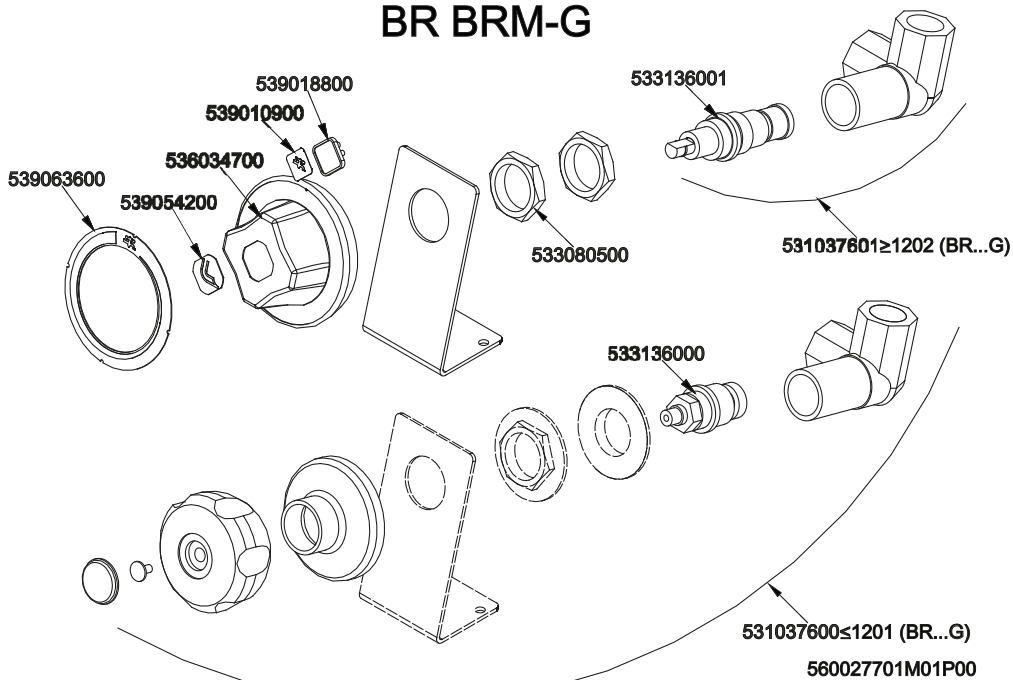
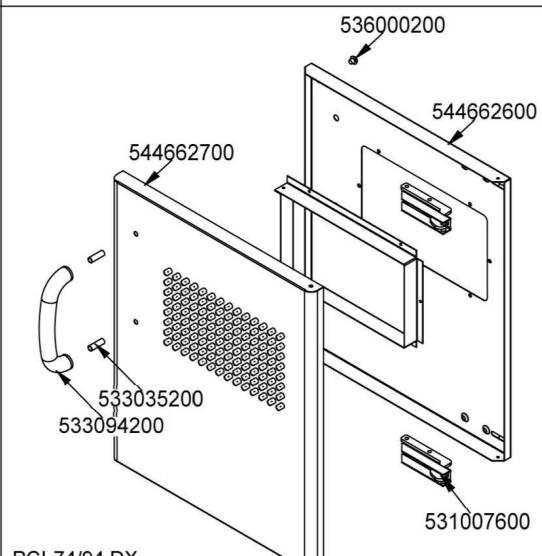
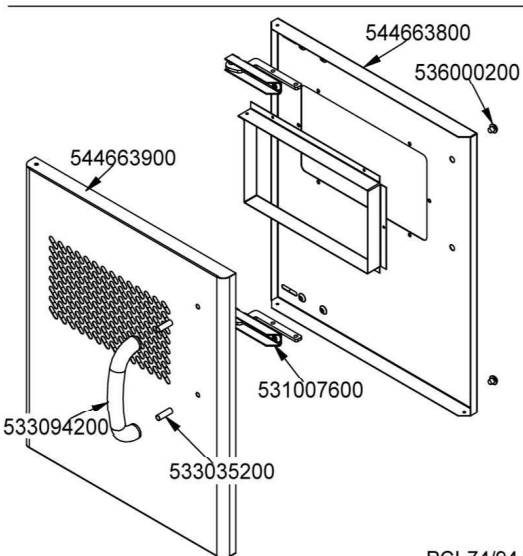
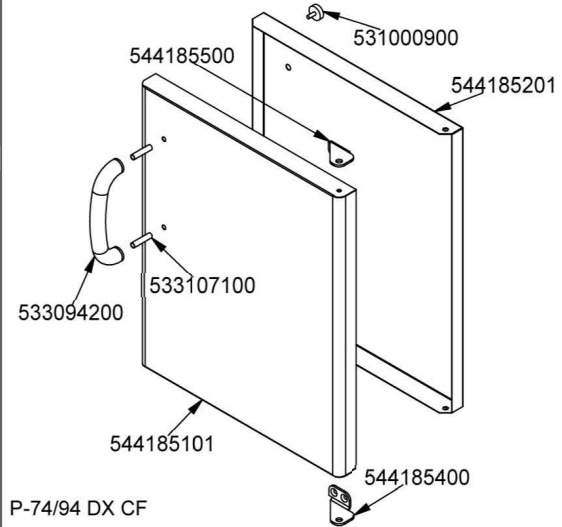
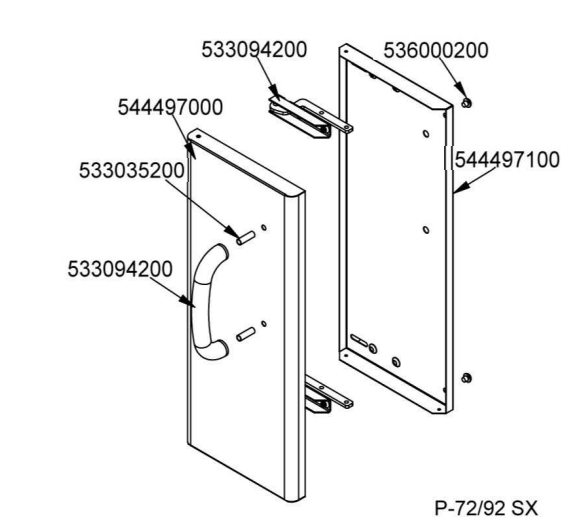
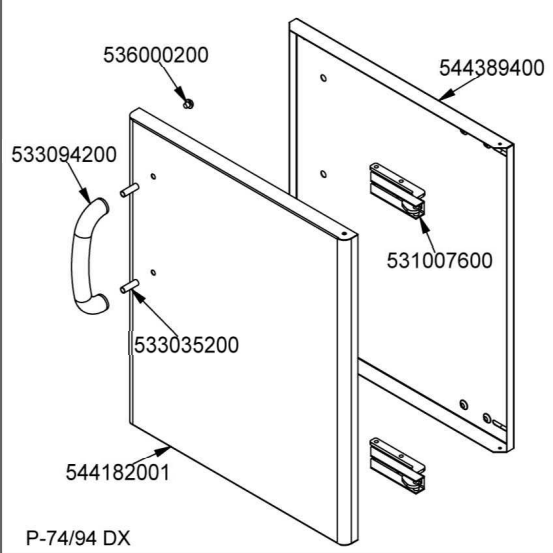
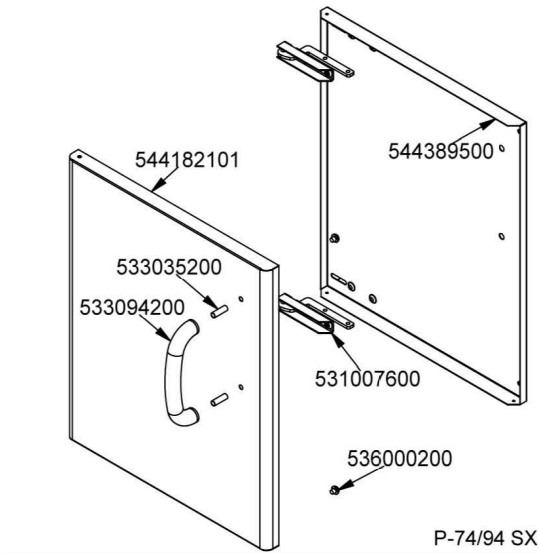
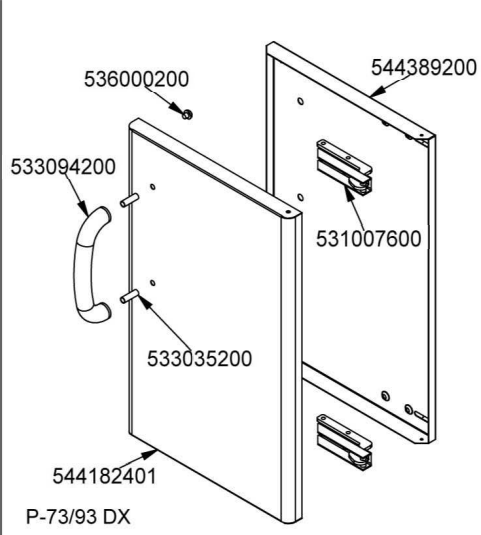
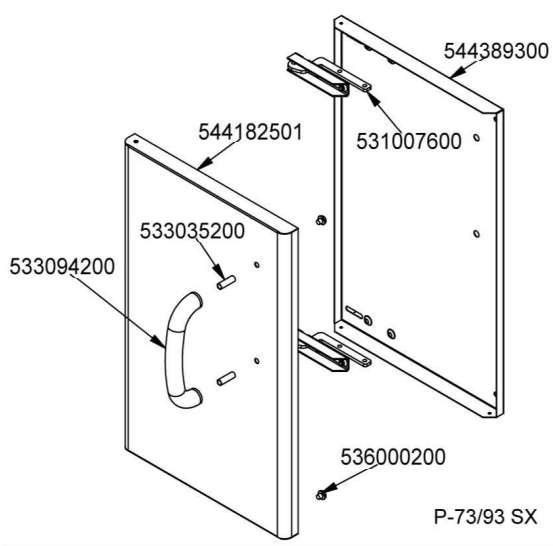


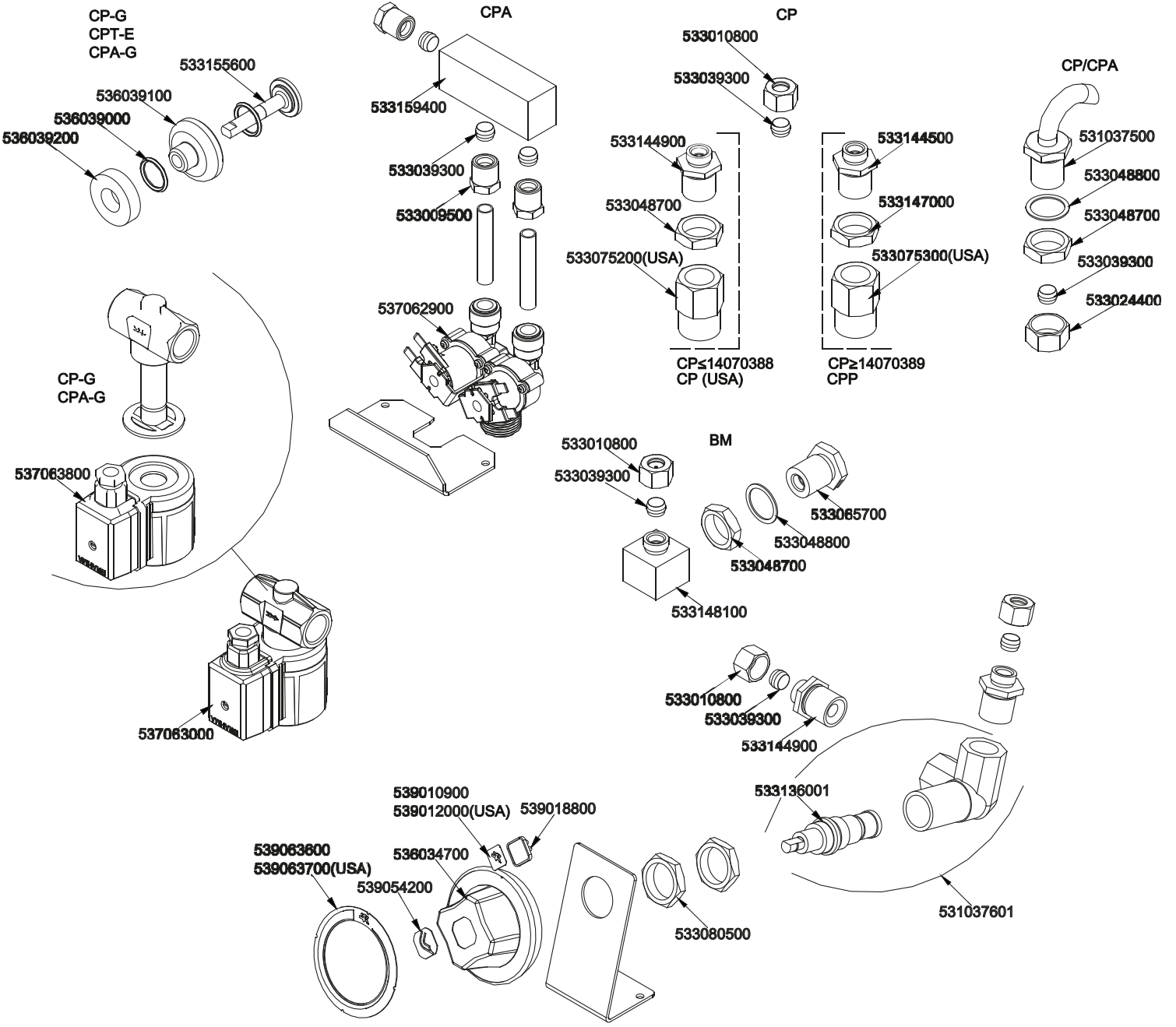
	*	**
G30-28+30mbar G31- 37mbar	533020200	533044000
G30- 50mbar	533020200	533030900
G20- 20mbar G25- 25mbar	533020400	533014300
G20- 20mbar DE-AT	533020400	533014300
G25- 20mbar	533020400	533056500
G25- 25mbar NL	533020400	533056000



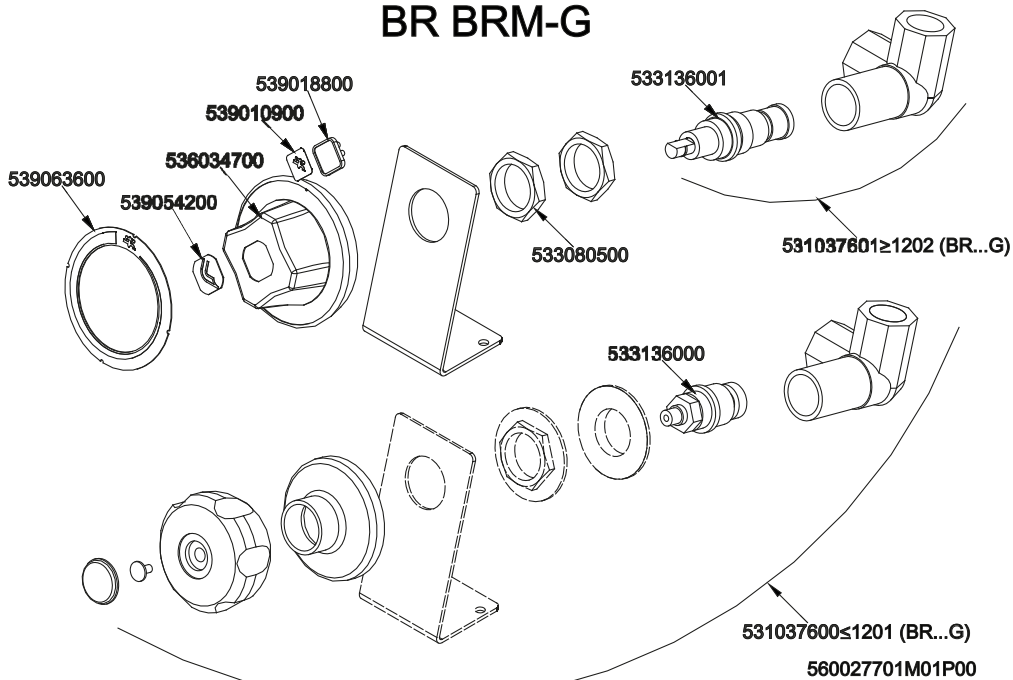
BR BRM-G







BR BRM-G



Page	Pos	Code	Description
001		532004100	FLUE GRID L=370 90LINE (RAF
001		531037700	BASKET SUPPORT GRID CP 90
001		544412900	BASKET HOLDER FOR DRAINAGE OF CP90
001		531042800	SEMISPHERE FILTER
001		541115600	UPPER PLATE CP-94G
001		546006100	RUBBER TUBE §25INT.*§33EXT.*L=540
001		531018600	BALL VALVE 1"G M-F CPM-62G
001		533040000	1"G F-F-F "T" FITTING
001		533039900	PIPE HOLDER 1" G M D.24
001		533038200	1" G M-F ELBOW FITTING
001		544407400	LEFT SIDE PANEL 70 LINE
001		541106502	CONTROL PANEL CP-74/94G
001		531017800	BURNER CPM-62G POLID.103.1515.0
001		544407300	RIGHT SIDE PANEL 90 LINE
001		536005200	INOX LEG 2" 120-180 M10
002		533047900	BY PASS COCK §100 21S
002		533009400	BICONE 10S
002		533009500	NIPPLE FOR BICONE 10S
002		533053600	EUROSIT VALVE PLUG
002		539018900	INDEX FOR KNOB W/RED SIGN
002		533039100	BICONE §6
002		533018500	FITTING FOR BICONE D.6 M10*1
002		533010800	TUBE NUT D.10 M16*1,5
002		533039300	BICONE §10
002		531032100	GAS COCK 21S P.V.BY-PASS Ø100
002		537031901	RED WARNING LIGHT PCI 12V E FASTON
002		536034500	KNOB §77 4P. §08*6,5
002		539062800	RED STICKING DISK 72
002		539054200	STAMP Ø20,5 CR."L" LOTUS R.
002		537059500	
002		537059600	
002		537060300	IGNITION CONTROL BOX 2F. V30
002		533011500	PILOT BURNER 2 FLAMES 220
002		533045700	THERMOCOUPLE M9*1 500
002		533085200	SPACER FOR PILOT PLUG
002		533010400	BICONE D.6
002		537008300	ROUND PLUG §2,4- LONG ELECTRODE
002		533018600	PLUG FITTING
002		547002600	HIGH-VOLTAGE CABLE L=500
002		533010900	NUT M14*1 H.4
002		537015601	P.D.INTERR.IST.NERO FULMINE
002		537001701	P.D.INTERR.LUM.VERDE 0 1
002		533144900	MALE FITTING WATER INLET M16X1,5
002		531072600	RACC.PORTAINIETT.90°CANN.Ø101/2G
002		533020200	PILOT JETS 0160 FOR LPG §30
002		533020400	NOZZLE 0160 (NATURAL GAS) 51
002		533044000	NOZZLE §195 CH12*14 M-CW4
002		533030900	NOZZLE §165 CH12X14 H-CW
002		533014300	NOZZLE §285 CH12*14
002		533056500	NOZZLE §325 CH12*14
003		533010800	TUBE NUT D.10 M16*1,5

Page	Pos	Code	Description
003		533155600	PERNO PER SENSORE ACQUA
003		536039100	GUIDA PER SENSORE ACQUA
003		536039000	GUARNIZ.O-RING 12,42X1,78 SILIC.
003		536039200	DISTANZIALE PER SENSORE ACQUA
003		533039300	BICONE §10
003		533159400	RACC.UN.2 U.ELETTROV.ACQUA CP
003		533144500	FITTING FOR WATER INPUT 3/4G
003		531037500	RACCORD CA.H2O 1/2G CAN.D10
003		533144900	MALE FITTING WATER INLET M16X1,5
003		533048700	NUT 1/2G ZN
003		533048800	GASKET §30*§21*2 FIBRE
003		533147000	BICONE FITTING 3/4G ZN
003		533009500	NIPPLE FOR BICONE 10S
003		533024400	HEXAGONAL NUT 1/2G TUBE D.10
003		537062900	ELETTROV.A.3/4GM-2Ø10JG 230V RPV
003		537063800	COIL ELECTROV.G.1/2GF 230V
003		533065700	FITTING FOR WATER INPUT 1/2G
003		533148100	RACC.A GOM.90° 1/2G F.M16X1,5M. (S
003		537063000	ELETTROV.G.1/2GF-1/2GF 230V
003		539010900	ADHESIVE LABEL FOR DRAIN COCK
003		533136001	SCREW TAP WATER LOAD FOR CP S70/90
003		539012000	ADHESIVE LABEL FOR DRAIN COCK USA
003		539018800	BLANK INDEX FOR KNOB
003		539063600	ADHESIVE DISK 72 FOR DRAIN COCK
003		539063700	ADHESIVE DISK 72 FOR DRAIN COCK USA
003		536034700	KNOB §77 4P. §08*6,5 F§30
003		539054200	STAMP Ø20,5 CR."L" LOTUS R.
003		531037601	TAP FOR WATER 90°DX CP
003		533136000	SCREW TAP WATER LOAD FOR CP S70/90
003		531037600	TAP FOR WATER LOADING 1/2"GF CP 90
004		544389300	CONTROP.73 SX APP. LT
004		531007600	DOOR HINGE
004		544182501	LEFT DOOR 73
004		533094200	S/S HANDLE FOR 70/90 SERIES
004		533035200	HANDLE SPACER
004		536000200	D.12 H.4 BUMPER
004		544389200	CONTROP.73 DX APP. LT
004		544182401	RIGHT DOOR 73
004		544182101	LEFT DOOR 74
004		544389500	INNER-DOOR OF LHD 74
004		544389400	CONTROP.74 DX APP. LT
004		544182001	RIGHT DOOR 74
004		544497000	PORTA 72 SX
004		544497100	CONTROP.72 SX APP. LT
004		544185101	RIGHT DOOR 74 CF
004		533107100	HANDLE SPACER OF CF-70
004		544185500	UPPER DOOR HINGE FOR COMPARTME CF70
004		531000900	MAGNET §22 KG.3 WITH DISK
004		544185201	INNER DOOR * 74DX
004		544185400	LOWER DOOR HINGE FOR COMPARTME CF70
004		544663900	LHD 74 DOOR FOR PCI

Page	Pos	Code	Description
004		544663800	74 LHD OVEN INNER DOOR FOUR PCI
004		544662700	DOOR 74 DX PCI
004		544662600	CONTROP.74 DX APP. LT PCI
005		533010800	TUBE NUT D.10 M16*1,5
005		533155600	PERNO PER SENSORE ACQUA
005		536039100	GUIDA PER SENSORE ACQUA
005		536039000	GUARNIZ.O-RING 12,42X1,78 SILIC.
005		536039200	DISTANZIALE PER SENSORE ACQUA
005		533039300	BICONE §10
005		533159400	RACC.UN.2 U.ELETTROV.ACQUA CP
005		533144500	FITTING FOR WATER INPUT 3/4G
005		531037500	RACCORD CA.H2O 1/2G CAN.D10
005		533144900	MALE FITTING WATER INLET M16X1,5
005		533048700	NUT 1/2G ZN
005		533048800	GASKET §30*§21*2 FIBRE
005		533147000	BICONE FITTING 3/4G ZN
005		533009500	NIPPLE FOR BICONE 10S
005		533024400	HEXAGONAL NUT 1/2G TUBE D.10
005		537062900	ELETTROV.A.3/4GM-2Ø10JG 230V RPV
005		537063800	COIL ELECTROV.G.1/2GF 230V
005		533065700	FITTING FOR WATER INPUT 1/2G
005		533148100	RACC.A GOM.90° 1/2G F.M16X1,5M. (S
005		537063000	ELETTROV.G.1/2GF-1/2GF 230V
005		539010900	ADHESIVE LABEL FOR DRAIN COCK
005		533136001	SCREW TAP WATER LOAD FOR CP S70/90
005		539012000	ADHESIVE LABEL FOR DRAIN COCK USA
005		539018800	BLANK INDEX FOR KNOB
005		539063600	ADHESIVE DISK 72 FOR DRAIN COCK
005		539063700	ADHESIVE DISK 72 FOR DRAIN COCK USA
005		536034700	KNOB §77 4P. §08*6,5 F§30
005		539054200	STAMP Ø20,5 CR."L" LOTUS R.
005		531037601	TAP FOR WATER 90°DX CP
005		533136000	SCREW TAP WATER LOAD FOR CP S70/90
005		531037600	TAP FOR WATER LOADING 1/2"GF CP 90