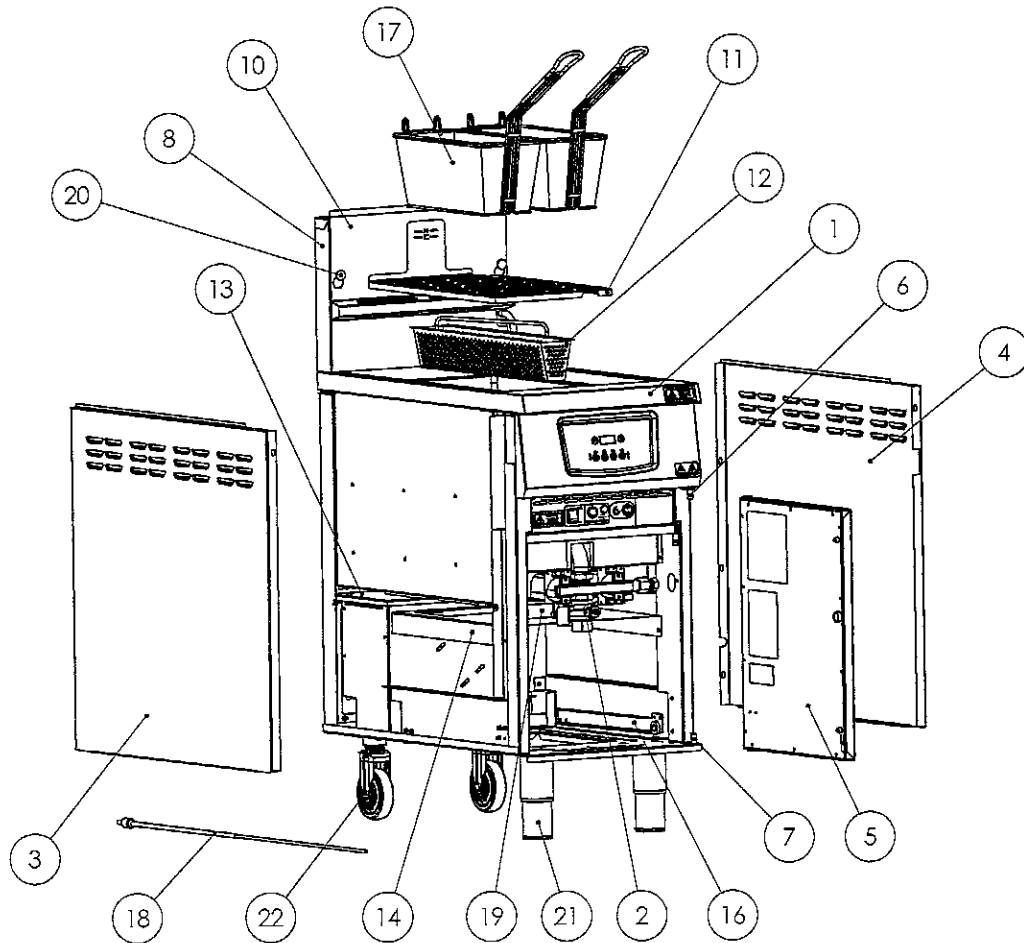


MODEL SHOWN G402F



ITEM	DESCRIPTION	SPARES No
1	HOB AND PAN ASSEMBLY C/W COMBUSTION CHAMBER	536300005
2	DRAIN VALVE C/W COMPRESSION FITTING	536300006
3	LH OUTER SIDE	536300007
4	RH OUTER SIDE	536300008
5	DOOR ASSEMBLY	536300009
6	TOP DOOR HINGE	536430108
7	BOTTOM DOOR HINGE	536430109
8	FLUE ASSEMBLY	536300010
9	FLUE ASSEMBLY (NON FILTRATION)	536300011
10	BASKET HANGING RAIL	536300012
11	FISH PLATE	536300013
12	CRUMB CATCHER	536300014
13	PUMP COVER	536300015
14	BUCKET COVER	536300016
15	LH BUCKET RUNNER (NOT SHOWN)	731350009
16	RH BUCKET RUNNER	731350010
17	CHIP BASKET	536430126
18	DRAIN CLEANING TOOL	536300017
19	DRAIN HANDLE BRACKET KIT	536300018
20	HANGING RAIL SCREW SET	536430082
21	ADJUSTABLE FEET	731350013
22	CASTORS	731350014

CLEARED FOR PRODUCTION

ISSUE	MOD No	ALTERATION	DRAWN BY	DATE
A	1235/5	ISSUED FOR PRODUCTION	S.MOONEY	2/2/11

NO REPRODUCTION OR PUBLICATION OF THIS DRAWING MAY BE MADE AND NO ARTICLE MAY BE MANUFACTURED OR ASSEMBLED IN ACCORDANCE WITH THIS DRAWING WITHOUT PRIOR WRITTEN CONSENT. THIS PROHIBITION IS A TERM OF ANY CONTRACT RELATING TO THIS DRAWING. RIGHTS RESERVED UNDER THE COPYRIGHT ACT: 1936 AS AMENDED BY THE DESIGN COPYRIGHT ACT 1988

IF IN DOUBT ASK
DO NOT SCALE
FIRST ANGLE PROJECTION

UNLESS OTHERWISE SPECIFIED:
DIMENSIONS ARE IN MILLIMETERS
TOLERANCES:
LINEAR: ±0.3mm
ANGULAR: ±0.5 DEG

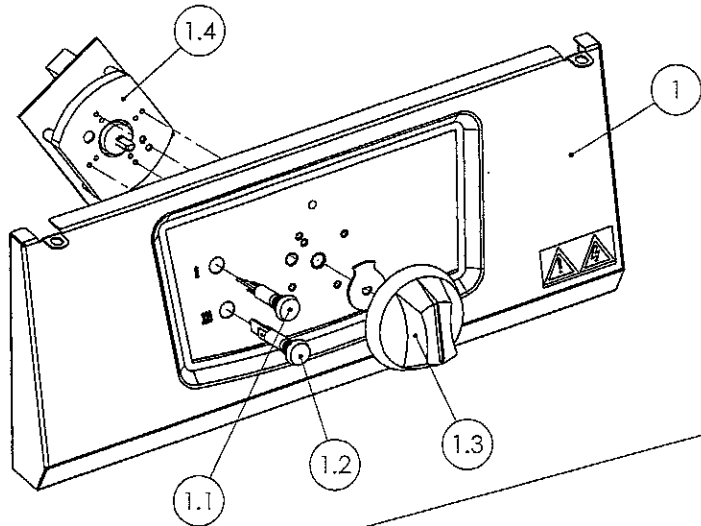
DEBUR AND
BREAK SHARP EDGES

WEIGHT: 34546.86g



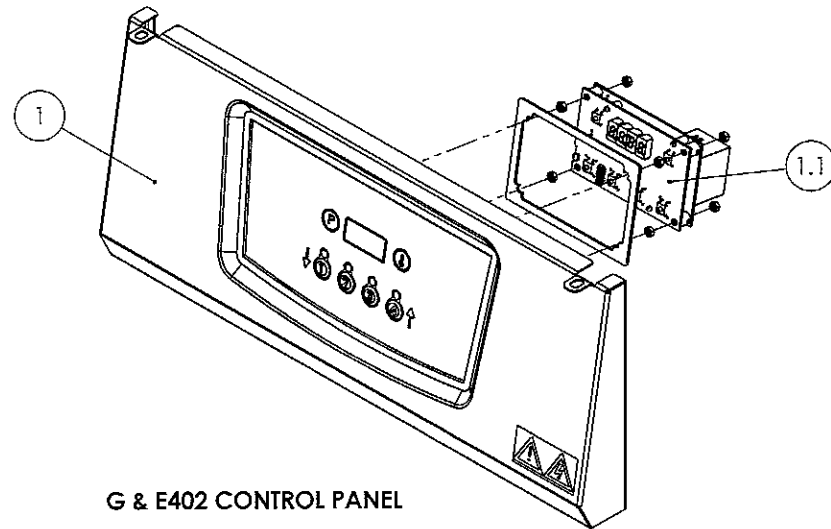
DRAWN: S.MOONEY	PRODUCT	G401 G402 G401F & G402F FRYER	
DATE: 2/2/11	TITLE	SPARES - MAIN BODY	
SCALE: 1:1	DRAWING NUMBER	AD48148	ISSUE A
MATL:	PART No:		
THICKNESS:	FINISH:		
BIN No:			

G & E401 CONTROL PANEL



ITEM	DESCRIPTION	SPARES No.
1	CONTROL PANEL ASSEMBLY	731350000
1.1	RED NEON	735010370
1.2	AMBER NEON	735010380
1.3	CONTROL KNOB C/W STOP	731350001
1.4	CONTROLLER	731350002

ITEM	DESCRIPTION	SPARES No.
1	CONTROL PANEL ASSEMBLY	731360000
1.1	CONTROLLER C/W SPACER	731360001



G & E402 CONTROL PANEL

CLEARED FOR PRODUCTION

ISSUE	MOD No	ALTERATION	DRAWN BY	DATE
A	1234/10	PRODUCTION ISSUE	G.SMITH	22/11/10

IF IN DOUBT ASK
DO NOT SCALE
FIRST ANGLE PROJECTION

UNLESS OTHERWISE SPECIFIED:
DIMENSIONS ARE IN MILLIMETERS
TOLERANCES:
LINEAR: ±0.5mm
ANGULAR: ±0.5 DEG

DEBUR AND
BREAK SHARP EDGES

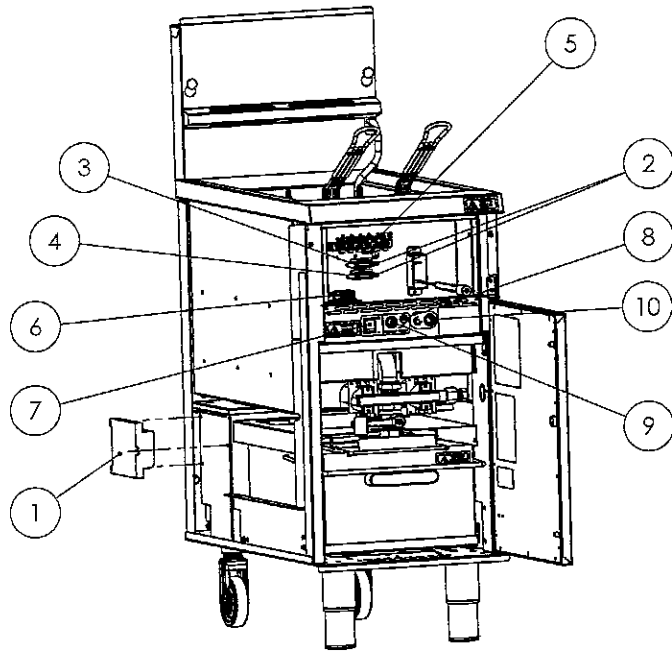
WEIGHT: 1191315.79g



DRAWN: G.SMITH	PRODUCT
DATE: 22/11/10	TITLE
SCALE:	
MATL:	
THICKNESS:	FINISH:
BIN No:	PART No:

G & E401/402 SINGLE PAN FRYERS	
SPARES - CONTROL PANELS	
DRAWING NUMBER	ISSUE
AD48017	A

MODEL SHOWN G402F



ITEM	DESCRIPTION	UNIT	SPARES No
1	IGNITION BOX		536300024
2	FUSE HOLDER		734310510
3	2 AMP ANTI SURGE FUSE		731050002
4	5 AMP ANTI SURGE FUSE	FILTER MODELS ONLY	536430009
5	MAINS TERMINAL BLOCK		731000006
6	STEP DOWN TRANSFORMER	402 ONLY	731360002
7	ROCKER SWITCH		732950006
8	AMBER NEON		735010380
9	MOMENTARY SWITCH		535770068
10	PUMP SWITCH	FILTER MODELS ONLY	536430029
11	CONTROL PANEL WIRING LOOM (NOT SHOWN)	401 ONLY	731350028
12	CONTROL PANEL WIRING LOOM (NOT SHOWN)	402 ONLY	731360003
13	MAINS CABLE (NOT SHOWN)		536300019
14	BASE LOOM WIRING HARNESS (NOT SHOWN)	FILTER MODELS ONLY	536300020
15	BASE LOOM WIRING HARNESS(NON FILTRATION)(NOT SHOWN)	NON FILTER MODELS	536300021
16	BURNER EARTH (NOT SHOWN)		536300022
17	PILOT HT LEAD KIT (NOT SHOWN)		536300023

CLEARED FOR PRODUCTION

ISSUE	MOD No	ALTERATION	DRAWN BY	DATE
A	1235/5	ISSUED FOR PRODUCTION	S.MOONEY	4/2/11

IF IN DOUBT ASK
DO NOT SCALE
FIRST ANGLE PROJECTION

UNLESS OTHERWISE SPECIFIED:
DIMENSIONS ARE IN MILLIMETERS
TOLERANCES:
LINEAR: ±0.5mm
ANGULAR: ±0.5 DEG

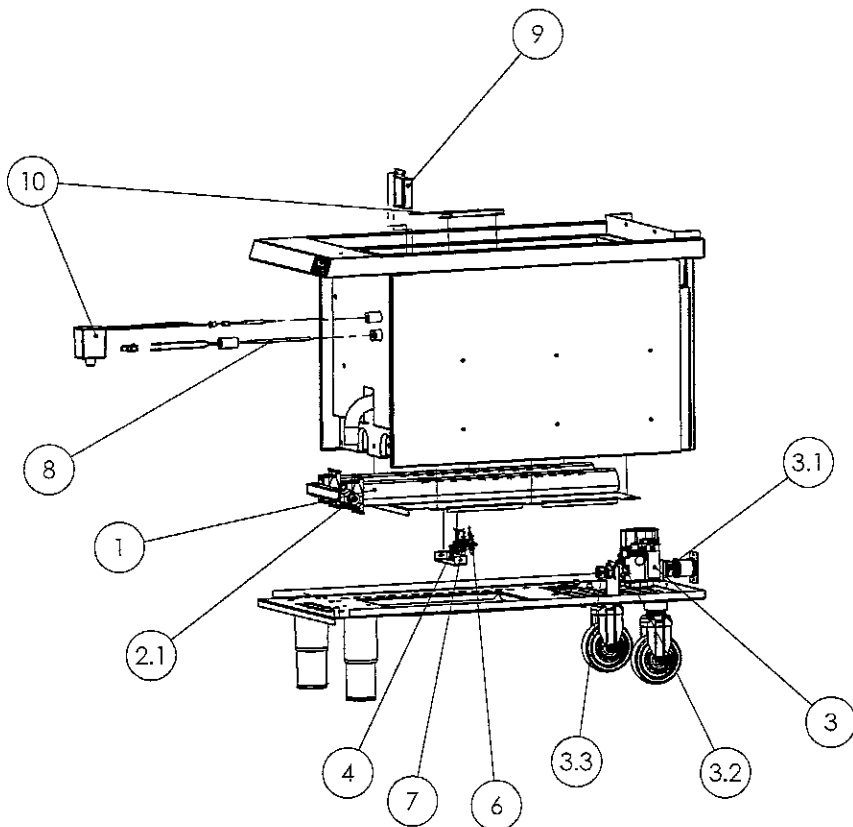
DEBUR AND
BREAK SHARP EDGES

WEIGHT: 84546.86g



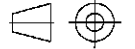
DRAWN: S.MOONEY	PRODUCT G401 G402 G401F & G402F FRYER	
DATE: 4/2/11	TITLE SPARES - ELECTRICS	
MATL:	DRAWING NUMBER	ISSUE
THICKNESS:	AD48150	A
BIN No:	PART No:	

© NO REPRODUCTION OR PUBLICATION OF THIS DRAWING MAY BE MADE AND NO ARTICLE MAY BE MANUFACTURED OR ASSEMBLED IN ACCORDANCE WITH THIS DRAWING WITHOUT PRIOR WRITTEN CONSENT. THIS PROHIBITION IS A TERM OF ANY CONTRACT RELATING TO THIS DRAWING. RIGHTS RESERVED UNDER THE COPYRIGHT ACT 1935 AS AMENDED BY THE DESIGN COPYRIGHT ACT 1998



ITEM	DESCRIPTION	SPARES No	QTY
1	BURNER ASSEMBLY	536300025	
1.1	INJECTOR (NAT GAS) (NOT SHOWN)	536300026	2
1.2	INJECTOR (PROPANE) (NOT SHOWN)	536300027	2
2	FLEXI PIPE C/W FITTINGS (NOT SHOWN)	536300028	
2.1	COUPLING 1/2" BSPT FEMALE	536300029	
3	CONTROLS SUB ASSEMBLY	536300030	
3.1	3/4" TO 1/2" REDUCER	536300031	
3.2	COUPLING M10 X 4mm	536300032	
3.3	COUPLING 1/2" BSPT TO 12mm	531610050	
4	PILOT ASSEMBLY (NAT GAS)	531600050	
4.1	PILOT INJECTOR (NAT GAS) (NOT SHOWN)	531600070	
5	PILOT ASSEMBLY (PROPANE)	531600055	
5.1	PILOT INJECTOR (PROPANE) (NOT SHOWN)	531600075	
6	DETECTOR ELECTRODE	536300033	
7	IGNITION ELECTRODE	537350035	
8	OPERATING STAT PROBE ASSEMBLY	536300034	
9	OPERATING STAT PROBE COVER	536300035	
10	SAFETY STAT ASSEMBLY	536300036	

CLEARED FOR PRODUCTION

ISSUE	MOD No	ALTERATION	DRAWN BY	DATE	IF IN DOUBT ASK DO NOT SCALE FIRST ANGLE PROJECTION  UNLESS OTHERWISE SPECIFIED: DIMENSIONS ARE IN MILLIMETERS TOLERANCES: LINEAR: ±0.5mm ANGULAR: ±0.5 DEG DEBUR AND BREAK SHARP EDGES WEIGHT: 8454.86g	DRAWN: S.MOONEY DATE: 8/2/11 SCALE: MATL: THICKNESS: BIN No:	PRODUCT G401 G402 G401F & G402F FRYER TITLE SPARES - BURNER AND CONTROLS	DRAWING NUMBER AD48149	ISSUE A
A	1235/5	ISSUED FOR PRODUCTION	S.MOONEY	8/2/11		MATL: THICKNESS: BIN No:	PART No:	DRAWING NUMBER AD48149	ISSUE A

