

G4SFEV77

G4SFEV77

CATALOGO PARTI DI RICAMBIO
CATALOGUE PIECES DETACHEES
ERSATZTEILKATALOG
SPARE PARTS CATALOGUE





**Catalogo parti di ricambio valido
dalla matricola 0000001 (31.10.2006) ad oggi (09.01.2017)**

**Catalogue pieces detachees
valable à partir du numero de Série n. 0000001 (31.10.2006) jusqu'à aujourd'hui
(09.01.2017)**

**Ersatzteilkatalog
gültig ab Serien-Nr. 0000001 (31.10.2006) bis heute (09.01.2017)**

**Spare parts catalogue
valid from serial no. 0000001 (31.10.2006) up today (09.01.2017)**

**Catálogo de peças de reposição
válido do número de série 0000001 (31.10.2006) até hoje (09.01.2017)**

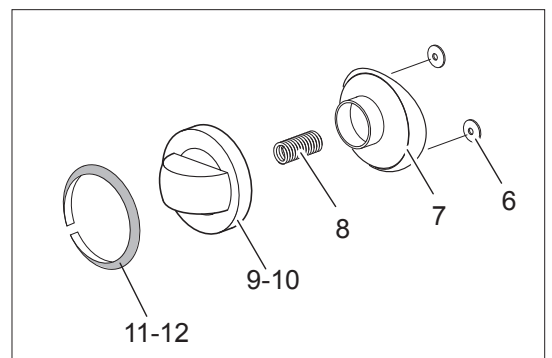
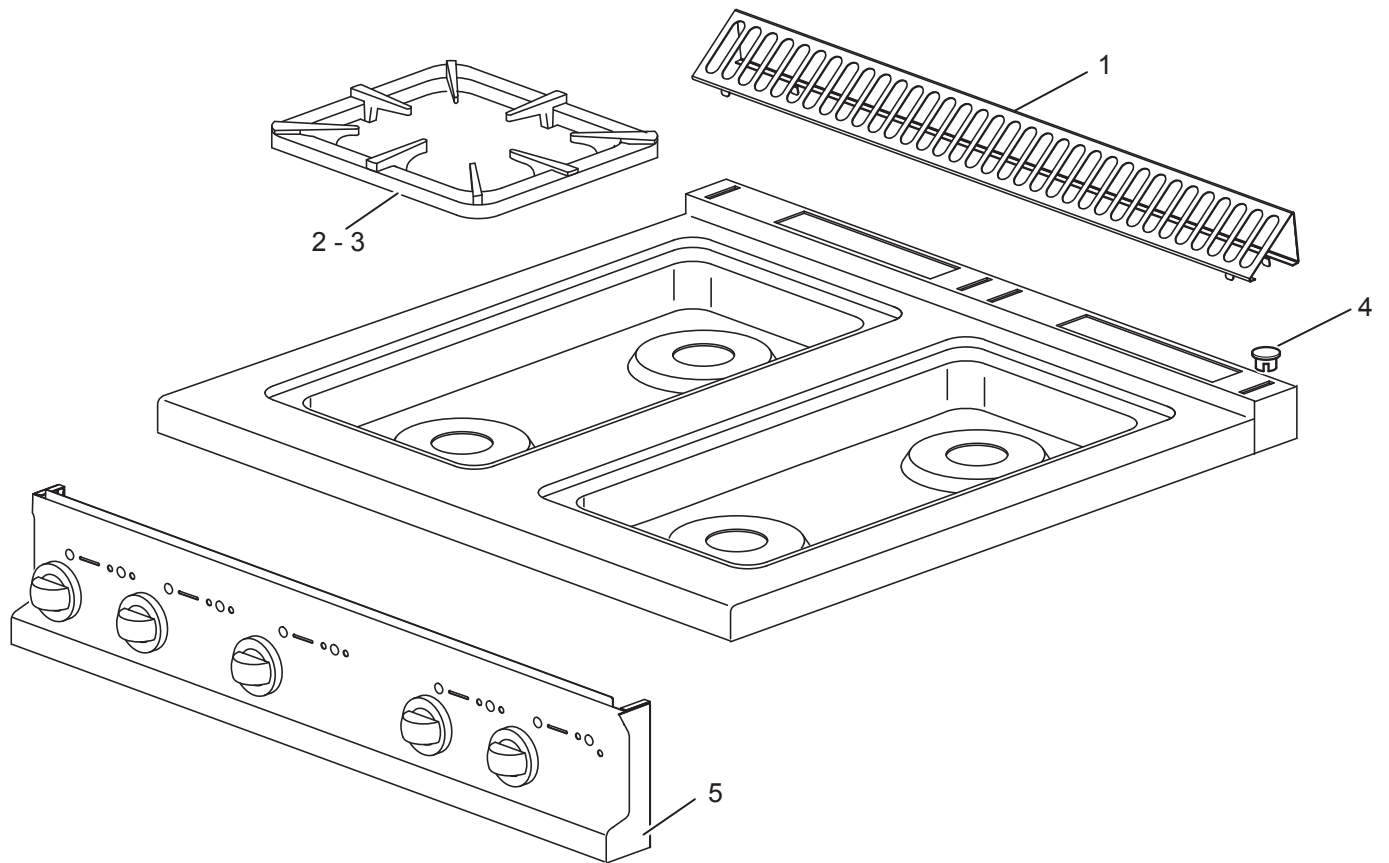
Le informazioni sono considerate non vincolanti. Le immagini rappresentate sono puramente indicative. Il produttore si riserva il diritto di apportare modifiche in qualsiasi momento senza preavviso.

Les informations données ne sont pas contraignantes. Les images montrées sont à titre indicatif. Le producteur se réserve le droit d'apporter des modifications sans préavis.

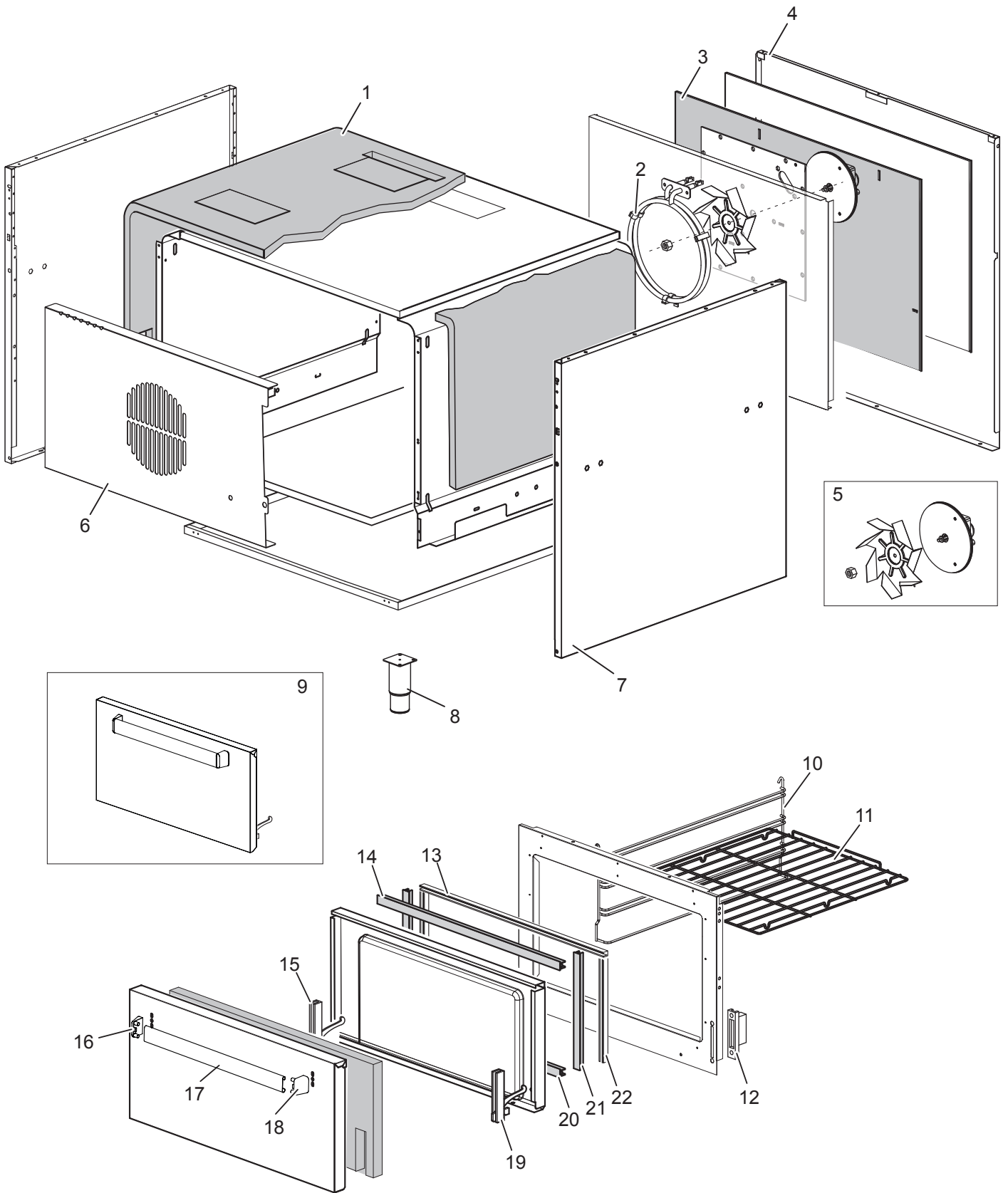
Die im vorliegenden Dokument aufgeführten Informationen und Bilder sind unverbindlich. Der Hersteller behält sich das Recht vor, jederzeit ohne vorherige Ankündigung Änderungen vorzunehmen

Info and drawing could be slightly different from reality and they cannot be considered as compelling. Manufacturer can modify info anytime without forewarning.

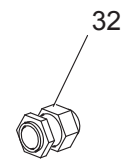
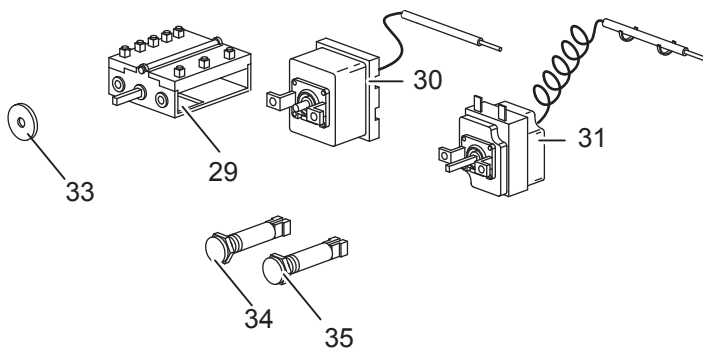
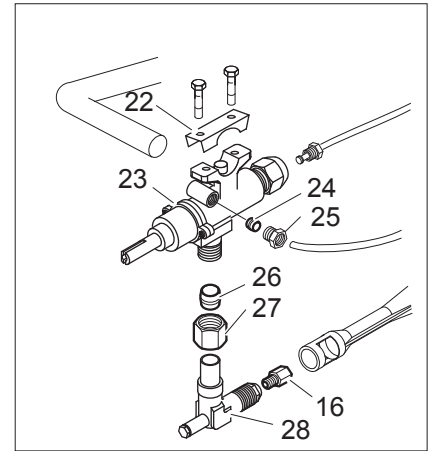
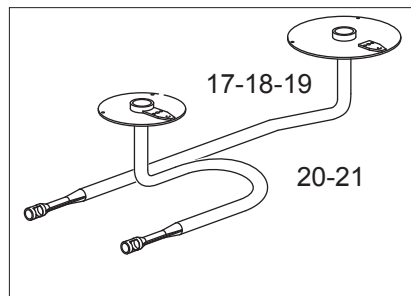
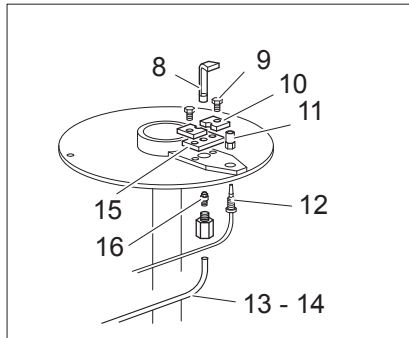
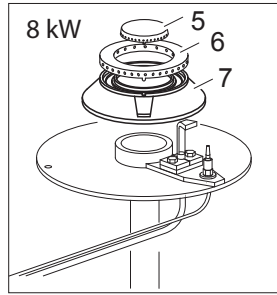
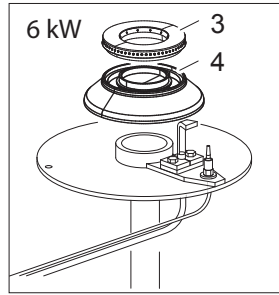
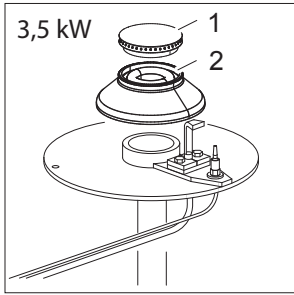
As Informações e desenhos podem estar um pouco diferente da realidade e são puramente indicativas. O fabricante pode modificar estas informações a qualquer momento sem aviso prévio.



Nr.	Code	Title	Recommended
1.	184977	<i>GRILLE POUR CHEMINÉE</i>	
2.	RTCU700274	<i>GRILLE PL.G4S7 NOIRE/LUC/RAAF</i>	N
3.	180769	<i>STAINLESS STEEL GRID FOR 2 BURNERS</i>	N
4.	163603	<i>BOUCHON FIX.PLAQUE DOMINA</i>	N
5.	180338	<i>CONTROL PANEL</i>	N
6.	176318	<i>ELASTIC METAL CLIP -WASHER DIAM 4 MM</i>	S
7.	171439	<i>GAS VALVE KNOB HOUSING G4S11</i>	S
9.	171437	<i>GAS VALVE KNOB BODY G4S77 SILVER</i>	S
10.	171436	<i>COMMUTATOR KNOB</i>	S
11.	174332	<i>GAS VALVE KNOB LABEL G2S11</i>	S
12.	171447	<i>RING THERMOSTAT</i>	S



Nr.	Code	Title	Recommended
1.	RTCU700457	INSULATING PANEL	N
2.	RTCU700650	RESIST.EF0V7 2,6KW2301GIK3L698002	S
3.	RTCU700456	INSULATING PANEL	N
4.	167252	BACK SIDE	N
5.	RTFOC00623	MOTEUR+VENT.FEC023 VN120 H25 B	S
6.	175581	AIR DEFLECTEUR	N
7.	173523	LATERAL SIDE	N
8.	RTCU700277	PIED+BOUCHON S.G4SF7/145	N
9.	RIC0004732	PORTE DU FOUR COMPLET	N
10.	RTCU700581	OVEN'S LATERAL GUIDES	N
11.	RTFOC00175	GRILLE F.FCV.GN1/1 INOX	N
12.	RTCU900004	PORTE-ROULEAU CHARN.F.4GIPR000159	S
13.	184110	SUPPORT DE JOINT	
14.	164738	JOINT SUP.F.G4SF7	S
15.	RTCU900027	CHARNIERE P.F.GAUCHE G4SF7 45010952	S
17.	160738	HANDLE 01460020 EX 35125	N
19.	RTCU900026	CHARNIERE P.F.DROITE G4SF7 45010951	S
20.	RTCU700599	JOINT PORTE FOUR INF.EF0V7	S
21.	163888	JOINT LAT.F.G4SF9	S
22.	184105	SUPPORT DE JOINT	



Nr.	Code	Title	Recommended
1.	RTCU700375	CHAPEAU DE BRULEUR 3,5KW G4SF7	S
2.	RTCU700380	BRUL.3,5KW G4SF7 EMAILL.	S
3.	RTCU700376	CHAPEAU DE BRULEUR 6KW G4SF7	S
4.	RTCU700382	BRUL.6KW G4SF7 EMAILL.	S
8.	RTCU700372	PILOTE P.L.+IN.035 G4SF7 GK803MBM	S
9.	RTMIN00063	SCREW	N
10.	172882	Pilot fixing plate G4SF7	N
11.	RTCU700391	ECROU FIX.THERMOCOUPLE G4SF7 G6049023	N
12.	RTCU700374	THERMOCOUPLE 60 P.L.G4SF7 G1712214	S
13.	173386	FRONT BURNER PILOT PIPE	N
14.	173387	BACK BURNER PILOT PIPE	N
15.	172883	PILOT GASKET G4SF7/1	S
16.	INIETTORE	SEE HANDBOOK NOZZLES	N
17.	173327	BACK BURNER DISTRIBUTION PIPE 6KW	N
18.	173328	BACK BURNER DISTRIBUTION PIPE 3,5KW	N
20.	173326	FRONT BURNER DISTRIBUTION PIPE 3,5KW	N
21.	173325	FRONT BURNER DISTRIBUTION PIPE 6KW	N
22.	167184	SAFETY VALVE BRIDLE	S
23.	167997	GAS TAP G4S77	S
24.	RTCU900018	BICONE D.6 PEL0905	S
25.	RTCU900019	ECROU D.6 PEL0903/1	S
26.	RTCU900012	BICONE D.10	S
27.	RTCU700297	ECROU D.10 FIX/SORTIE ROB.V.21S	S
28.	173320	INJECTOR SUPPORT	N
29.	RTCU700454	COMMUTATEUR EF0V7 4623966950	S
31.	RTCU700085	THERMOST.EL.EBR7 5519062802	S
32.	RTBF800138	CABLE PG21 53015050+D53019050C	N
33.	RTCU800185	JOINT BARRE COMMUTATEUR	S
34.	166465	LAMPE-TEMOIN VERT SL-CO27500	S
35.	166466	LAMPE-TEMOIN ORANGE SL-CO27500	S