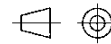


IF IN DOUBT ASK

DO NOT SCALE  
First Angle Projection



ITEM	DESCRIPTION	SPARES No
1	SPLASHBACK	537400000
2	CONTROL PANEL	537400010
3	END PANEL (LH)	537400020
4	END PANEL (RH)	537400030
5	DRIP TRAY (LH)	537400040
6	DRIP TRAY (RH)	537400050
7	ADJUSTABLE FOOT	537400060
8	SPICE RACK	537400070
9	WOK RING (STAINLESS STEEL)	537400080
10	WOK RING (ALUMINIUM)	537400085
11	TRIVET	537400090
12	RING TRIVET	537400100
13	UTENSIL TRAY	537400110
14	DRAIN BASKET	537400120
15	DRAIN COVER	537400130
16	SPRAYBAR	537400140
17	WATER FAUCET	537400150
18	WATER VALVE C/W HANDLE	537400160
19	GAS VALVE	537400170
20	GAS VALVE HANDLE	537400180
21	PILOT ASSEMBLY (NATURAL GAS)	537400190
22	PILOT ASSEMBLY (PROPANE GAS)	537400195
23	THERMOCOUPLE	537400200
24	SIX JET BURNER (NATURAL GAS)	537400220
25	SIX JET BURNER (PROPANE GAS)	537400225
26	NINE JET BURNER (NATURAL GAS)	537400230
27	NINE JET BURNER (PROPANE GAS)	537400235
28	SIX & NINE BURNER JET (NATURAL GAS)	537400260
29	SIX & NINE BURNER JET (PROPANE GAS)	537400265
30	DRAIN PLUG C/W CHAIN	537400270
31	BEZEL ASSEMBLY (GAS)	537400280
32	BEZEL ASSEMBLY (FAUCET)	537400282
33	BEZEL ASSEMBLY (SPRAYBAR)	537400285

**CLEARED FOR PRODUCTION**

19 JUN 2002

All Dimensions in millimetres, Tolerance ± 0.5mm (or as stated)

A	824	PRODUCTION ISSUE		G. SMITH	19:6:02	
G	Issue	Mod No.	Alteration	Zone	Drawn by	Date



Drawn	G. SMITH	Product	G1629 WOK COOKER	
Date	19:6:02	Title	SPARES DIAGRAM	
Scale		Drawing Number	AC40361	Issue
Mail				A
No. off		Finish		
Bin No.		Kraus No. T110973		

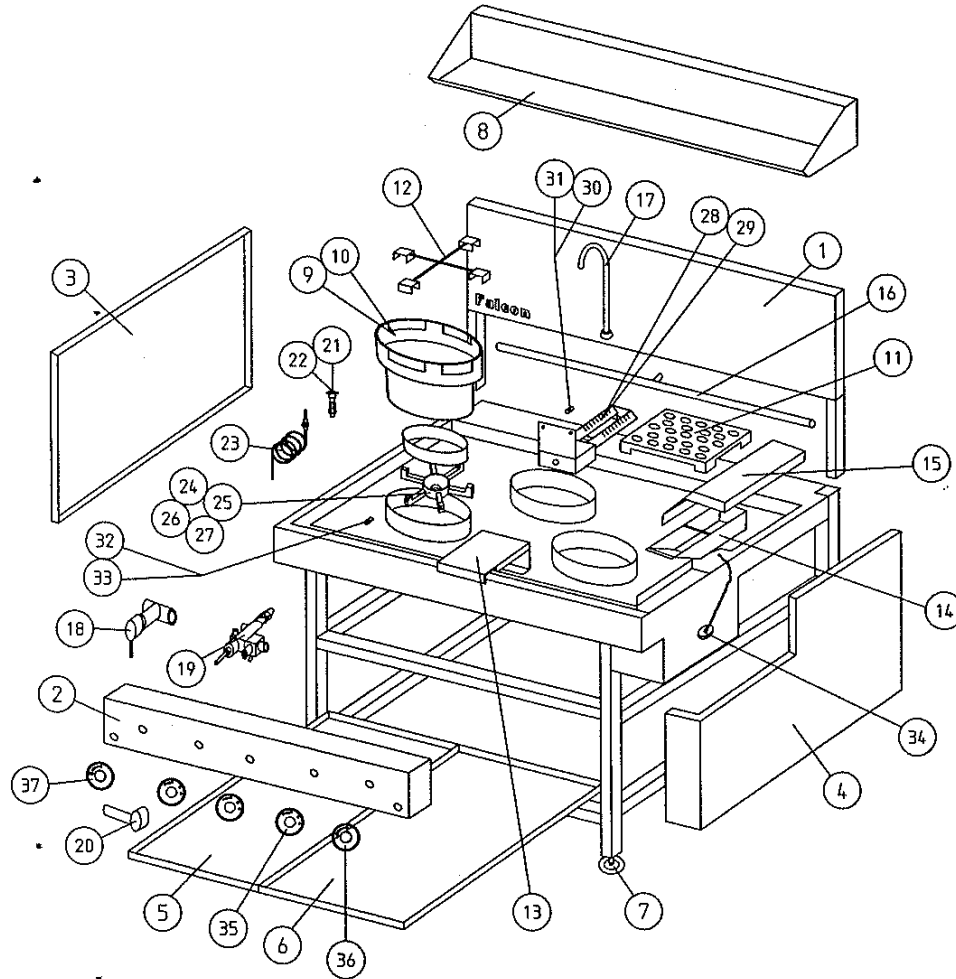
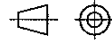
Falcon Foodservice Equipment. PO Box 37 Foundry Loan Larbert Scotland

No reproduction or publication of this drawing may be made and no article may be manufactured or assembled in accordance with this drawing without prior written consent. This prohibition is a term of any contract relating to this drawing. Rights reserved under the Copyright Act 1956 as amended by the Design Copyright Act 1988.

This part is common to the following units

IF IN DOUBT ASK

DO NOT SCALE  
First Angle Projection



ITEM	DESCRIPTION	SPARES No
1	SPLASHBACK	5374.00000
2	CONTROL PANEL	5374.00012
3	END PANEL (LH)	5374.00020
4	END PANEL (RH)	5374.00030
5	DRIP TRAY (LH)	5374.00040
6	DRIP TRAY (RH)	5374.00050
7	ADJUSTABLE FOOT	5374.00060
8	SPICE RACK	5374.00070
9	WOK RING (STAINLESS STEEL)	5374.00080
10	WOK RING (ALUMINIUM)	5374.00085
11	TRIVET	5374.00090
12	RING TRIVET	5374.00100
13	UTENSIL TRAY	5374.00110
14	DRAIN BASKET	5374.00120
15	DRAIN COVER	5374.00130
16	SPRAYBAR	5374.00140
17	WATER FAUCET	5374.00150
18	WATER VALVE C/W HANDLE	5374.00160
19	GAS VALVE	5374.00170
20	GAS VALVE HANDLE	5374.00180
21	PILOT ASSEMBLY (NATURAL GAS)	5374.00190
22	PILOT ASSEMBLY (PROPANE GAS)	5374.00195
23	THERMOCOUPLE	5374.00200
24	SIX JET BURNER (NATURAL GAS)	5374.00220
25	SIX JET BURNER (PROPANE GAS)	5374.00225
26	NINE JET BURNER (NATURAL GAS)	5374.00230
27	NINE JET BURNER (PROPANE GAS)	5374.00235
28	TWO BAR BURNER (NATURAL GAS)	5374.00240
29	TWO BAR BURNER (PROPANE GAS)	5374.00245
30	TWO BAR BURNER JET (NATURAL GAS)	5374.00250
31	TWO BAR BURNER JET (PROPANE GAS)	5374.00255
32	SIX & NINE BURNER JET (NATURAL GAS)	5374.00260
33	SIX & NINE BURNER JET (PROPANE GAS)	5374.00265
34	DRAIN PLUG C/W CHAIN	5374.00270
35	BEZEL ASSEMBLY (GAS)	5374.00280
36	BEZEL ASSEMBLY (FAUCET)	5374.00282
37	BEZEL ASSEMBLY (SPRAYBAR)	5374.00285

CLEARED FOR PRODUCTION

19 JUN 2002

All Dimensions in millimetres, Tolerance ± 0.5mm (or as stated)

A	824	PRODUCTION ISSUE		G.SMITH	18/6/02
G	Issue	Mod No.	Alteration	Zone	Drawn by



This part is common to the following units

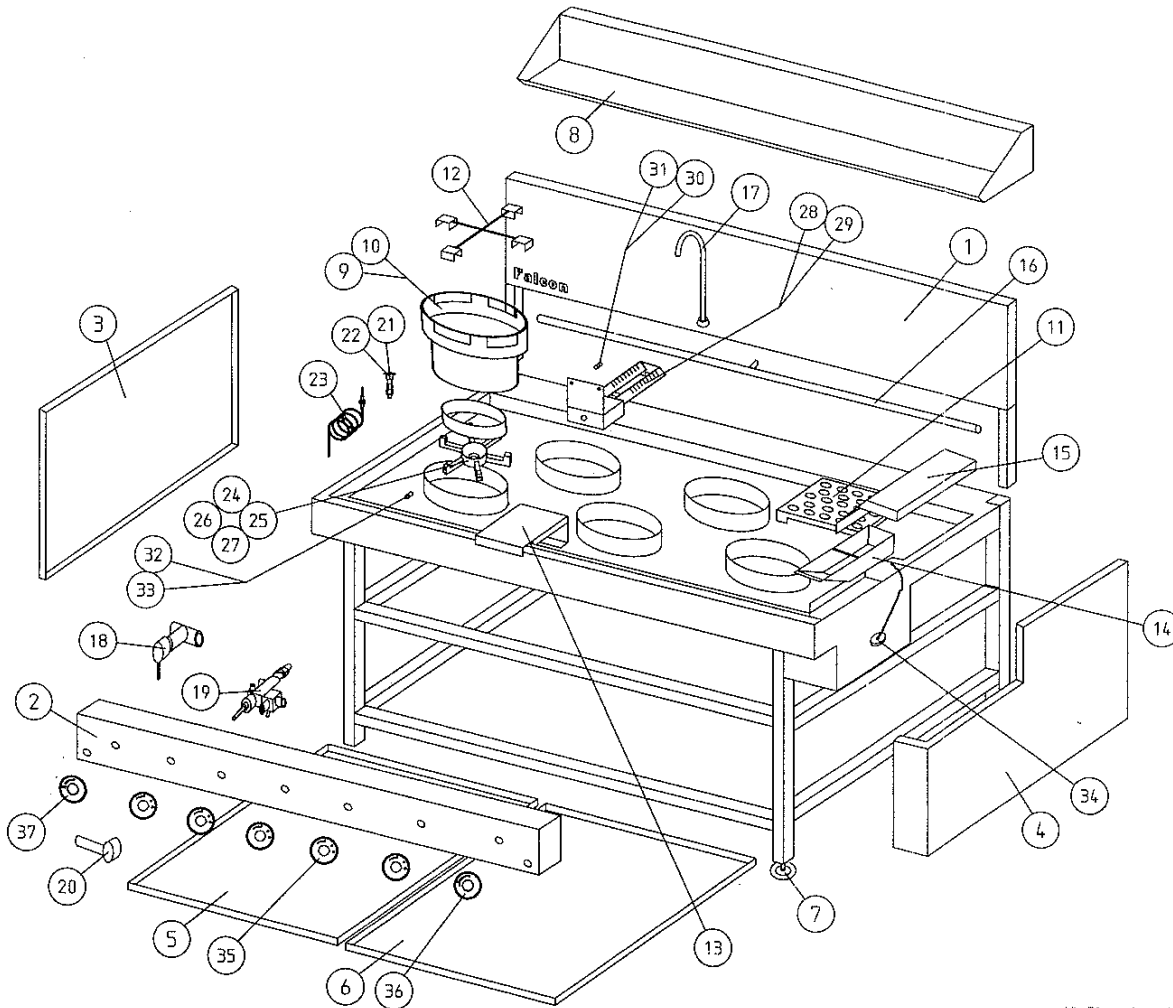
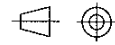
Drawn	G. SMITH	Product	G1639 WOK COOKER	
Date	18/6/02	Title	SPARES DIAGRAM	
Scale				
Mail.		Drawing Number	AC40362	Issue
No. off		Finish		A
Bin No.		Kraus No.	T110975	

No reproduction or publication of this drawing may be made and no article may be manufactured or assembled in accordance with this drawing without prior written consent. This prohibition is a term of any contract relating to this drawing. Rights reserved under the Copyright Act 1956 as amended by the Design Copyright Act 1988.

Falcon Foodservice Equipment. PO Box 37 Foundry Loan Larbert Scotland

IF IN DOUBT ASK

DO NOT SCALE  
First Angle Projection



ITEM	DESCRIPTION	SPARES No
1	SPLASHBACK	5374.00005
2	CONTROL PANEL	5374.00015
3	END PANEL (LH)	5374.00020
4	END PANEL (RH)	5374.00030
5	DRIP TRAY (LH)	5374.00045
6	DRIP TRAY (RH)	5374.00055
7	ADJUSTABLE FOOT	5374.00060
8	SPICE RACK	5374.00075
9	WOK RING (STAINLESS STEEL)	5374.00080
10	WOK RING (ALUMINIUM)	5374.00085
11	TRIVET	5374.00090
12	RING TRIVET	5374.00100
13	UTENSIL TRAY	5374.00110
14	DRAIN BASKET	5374.00120
15	DRAIN COVER	5374.00130
16	SPRAYBAR	5374.00145
17	WATER FAUCET	5374.00150
18	WATER VALVE C/W HANDLE	5374.00160
19	GAS VALVE	5374.00170
20	GAS VALVE HANDLE	5374.00180
21	PILOT ASSEMBLY (NATURAL GAS)	5374.00190
22	PILOT ASSEMBLY (PROPANE GAS)	5374.00195
23	THERMOCOUPLE	5374.00200
24	SIX JET BURNER (NATURAL GAS)	5374.00220
25	SIX JET BURNER (PROPANE GAS)	5374.00225
26	NINE JET BURNER (NATURAL GAS)	5374.00230
27	NINE JET BURNER (PROPANE GAS)	5374.00235
28	TWO BAR BURNER (NATURAL GAS)	5374.00240
29	TWO BAR BURNER (PROPANE GAS)	5374.00245
30	TWO BAR BURNER JET (NATURAL GAS)	5374.00250
31	TWO BAR BURNER JET (PROPANE GAS)	5374.00255
32	SIX & NINE BURNER JET (NATURAL GAS)	5374.00260
33	SIX & NINE BURNER JET (PROPANE GAS)	5374.00265
34	DRAIN PLUG C/W CHAIN	5374.00270
35	BEZEL ASSEMBLY (GAS)	5374.00280
36	BEZEL ASSEMBLY (FAUCET)	5374.00282
37	BEZEL ASSEMBLY (SPRAYBAR)	5374.00285

CLEANED FOR PRODUCTION

18 JUN 2002

All Dimensions in millimetres, Tolerance ± 0.5mm (or as stated)

A	B24	PRODUCTION ISSUE	G.SMITH	18/6/02
Issue	Mod No.	Alteration	Zone	Drawn by



Drawn	G.SMITH	Product	G1659 WOK COOKER	
Date	18/6/02	Title	SPARES DIAGRAM	
Scale		Drawing Number	AC40363	Issue
Matl.		Finish		A
No. off		Kraus No.	T110976	
Bin No.				

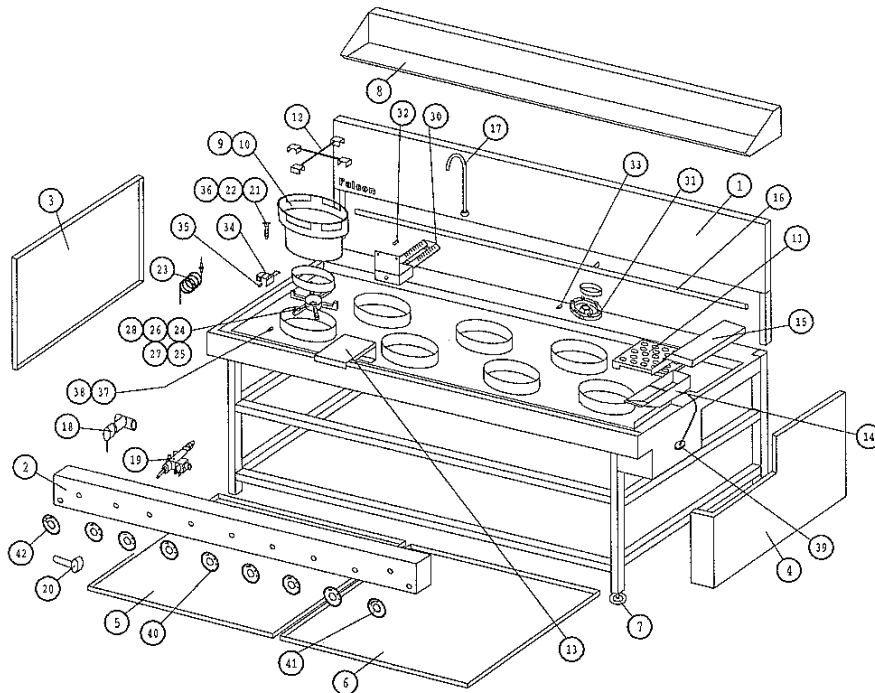
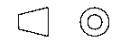
No reproduction or publication of this drawing may be made and no article may be manufactured or assembled in accordance with this drawing without prior written consent. This prohibition is a term of any contract relating to this drawing. Rights reserved under the Copyright Act 1956 as amended by the Design Copyright Act 1988.

This part is common to the following units

**Falcon Foodservice Equipment. PO Box 37 Foundry Loan Larbert Scotland**

IF IN DOUBT ASK!!

DO NOT SCALE !!  
First Angle Projection



ITEM	DESCRIPTION	SPARES No
1	SPLASHBACK	537430010
2	CONTROL PANEL	537430020
3	END PANEL (LH)	537400020
4	END PANEL (RH)	537400030
5	DRIP TRAY (LH)	537430030
6	DRIP TRAY (RH)	537430040
7	ADJUSTABLE FOOT	537400060
8	SPICE RACK	537430050
9	WOK RING (STAINLESS STEEL)	537400080
10	WOK RING (ALUMINIUM)	537400085
11	TRIVET	537400090
12	RING TRIVET	537400100
13	UTENSIL TRAY	537400110
14	DRAIN BASKET	537400120
15	DRAIN COVER	537400130
16	SPRAYBAR	537430060
17	WATER FAUCET	537400150
18	WATER VALVE C/W HANDLE	537400160
19	GAS VALVE	537400170
20	GAS VALVE HANDLE	537400180
21	FRONT PILOT ASSEMBLY (NATURAL GAS)	537400190
22	FRONT PILOT ASSEMBLY (PROPANE GAS)	537400195
23	THERMOCOUPLE	537400200
23A	THERMOCOUPLE REAR BURNER (PROPANE GAS)	
24	SIX JET BURNER (NATURAL GAS)	537400220
25	SIX JET BURNER (PROPANE GAS)	537400225
26	NINE JET BURNER (NATURAL GAS)	537400230
27	NINE JET BURNER (PROPANE GAS)	537400235
28	TWELVE JET BURNER (NATURAL GAS)	537400266
29		
30	REAR BURNER (NATURAL GAS)	537400240
31	REAR BURNER (PROPANE GAS)	537400245
32	REAR BURNER JET (NATURAL GAS)	537400250
33	REAR BURNER JET (PROPANE GAS)	537400255
34	REAR PILOT BURNER (PROPANE GAS)	
35	REAR PILOT ORIFICE (PROPANE GAS)	
36	REAR PILOT ASSEMBLY (NATURAL GAS)	537400190
37	6 , 9 & 12 BURNER JET (NATURAL GAS)	537400260
38	6 BURNER JET (PROPANE GAS)	XXX
38A	9 BURNER JET (PROPANE GAS)	537400265
39	DRAIN PLUG C/W CHAIN	537400270
40	BEZEL ASSEMBLY (GAS)	537400280
41	BEZEL ASSEMBLY (FAUCET)	537400282
42	BEZEL ASSEMBLY (SPRAYBAR)	537400285

All Dimensions in millimetres, Tolerance \ 0.5mm (or as stated)

Drawn	I. HAMILTON	Product	G1679 WOK COOKER	
Date	10-10-02	Title	SPARES DIAGRAM	
Scale		Drawing Number	AC40811	Issue
Bin No.	R9126	Finish		A
		Kraus No.		

ISSUED FOR PRODUCTION  
 Issue Mod No. Alteration  
 I. HAMILTON  
 Drawn by Date  
 10-10-02

**UNCONTROLLED**

This part is common to the following units

No reproduction or publication of this drawing may be made and no article may be manufactured or assembled in accordance with this drawing without prior written consent. This prohibition is a term of any contract relating to this drawing. Rights reserved under the Copyright Act 1988 as amended by the Design Copyright Act 1988.

Falcon Foodservice Equipment. PO Box 37 Foundry Loan Larbert Scotland