

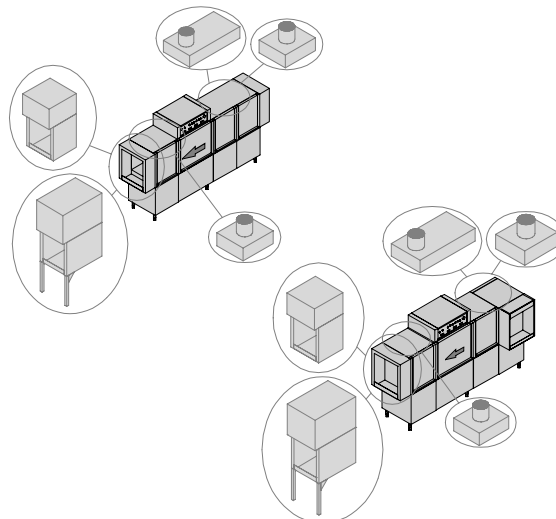
RACK CONVEYOR MACHINE

TYPE: 27

Accessories

HEAT RECOVERY - TR98
STEAM CONDENSER - LC 91
CONVEYOR SPEED ADJUSTING- LC 101
90° MOTORIZED CHAIN CONVEYOR - LC 97/2
180° MOTORIZED CHAIN CONVEYOR - LC 97/3
DRYER WITH 90° MOTORIZED CHAIN CONVEYOR - LC 97/4
DRYER WITH 180° MOTORIZED CHAIN CONVEYOR - LC 97/5
DRYER - LC 90
DRYER - LC 90/2
DRYER - LC 90/4
ADDITIONAL BOILER FOR COLD WATER SUPPLY
DVGW VALVE SYSTEM
DETERGENT ECONOMIZER SYSTEM
SPLASH ZONE WITH CILINDER - LC 94
TANKS INSULATION
DOUBLE SKIN
BOOSTER PUMP
DISPENSERS SYSTEM SDN-3
ANGLE LOADING TABLE - LC 98

Spare parts manual



S/N:

Valid from:..11/2002

Rev.: 2.0

1. Spare parts

Control Panel.....	9
Control Panel.....	11
Electric parts.....	13
Machine structure in modules.....	17
Machine structure in modules.....	19
Prewashing module 600	21
Angle prewashing module 600	23
Washing module 900	25
Rising module 600	27
Economizer components	29
Curtains group components	31
Inverter	33
Time relay	35
Heat recovery TR 98 - part 1	37
Heat recovery TR 98 - part 2	39
Heat recovery TR 98 - part 3	41

Dryer LC 90 - LC 90/2 (6 - 12kW) - part 1	43
Dryer LC 90/4 (18kW) - part 1	45
Dryer L C90 (6kW) - part 2	47
Dryer LC 90/2 (12kW) - part 2	49
Dryer LC 90/4 (18kW) - part 2	51
Dryer LC 90 - LC 90/2 - LC90/4 (6 - 12 - 18kW) - electric components	53
Motorized curve 90° - LC 97/2	55
Dryer motorized curve 90° - LC 97/4	57
Motorized curve 90° - LC 97/2: electric parts	59
Motorized curve 90° - LC 97/2: electric parts double speed - remote control	61
Motorized curve 180° - LC 97/3	63
Dryer motorized curve 180° - LC 97/5	65
Motorized curve 180° - LC 97/3: electric parts	67
Motorized curve 180° - LC 97/3: electric parts double speed - remote control	69
Steam condenser - part 1	71
Steam condenser - part 2	73
Steam condenser - part 3	75
Additional boiler components	77

Additional boiler: electrical components	79
DVGW valve	81
Motorgear components module 900 ..	83
Prewashing components 3+1	85
Prewashing components 3+2	87
Washing components 5+3	89
Prerinsing components	91
Internal components prewashing module 600	93
Internal components washing module 900	95
Internal components rinsing module 600	97
Rinsing components	99
Boiler components	101
Solenoid valves components	103
Solenoid valves components	103
Solenoid valves components	105
Solenoid valves components	107
Detergent economizer system	109
Conveyor parts	111
Conveyor parts	113
Splash zone with cilinder - LC 94	115

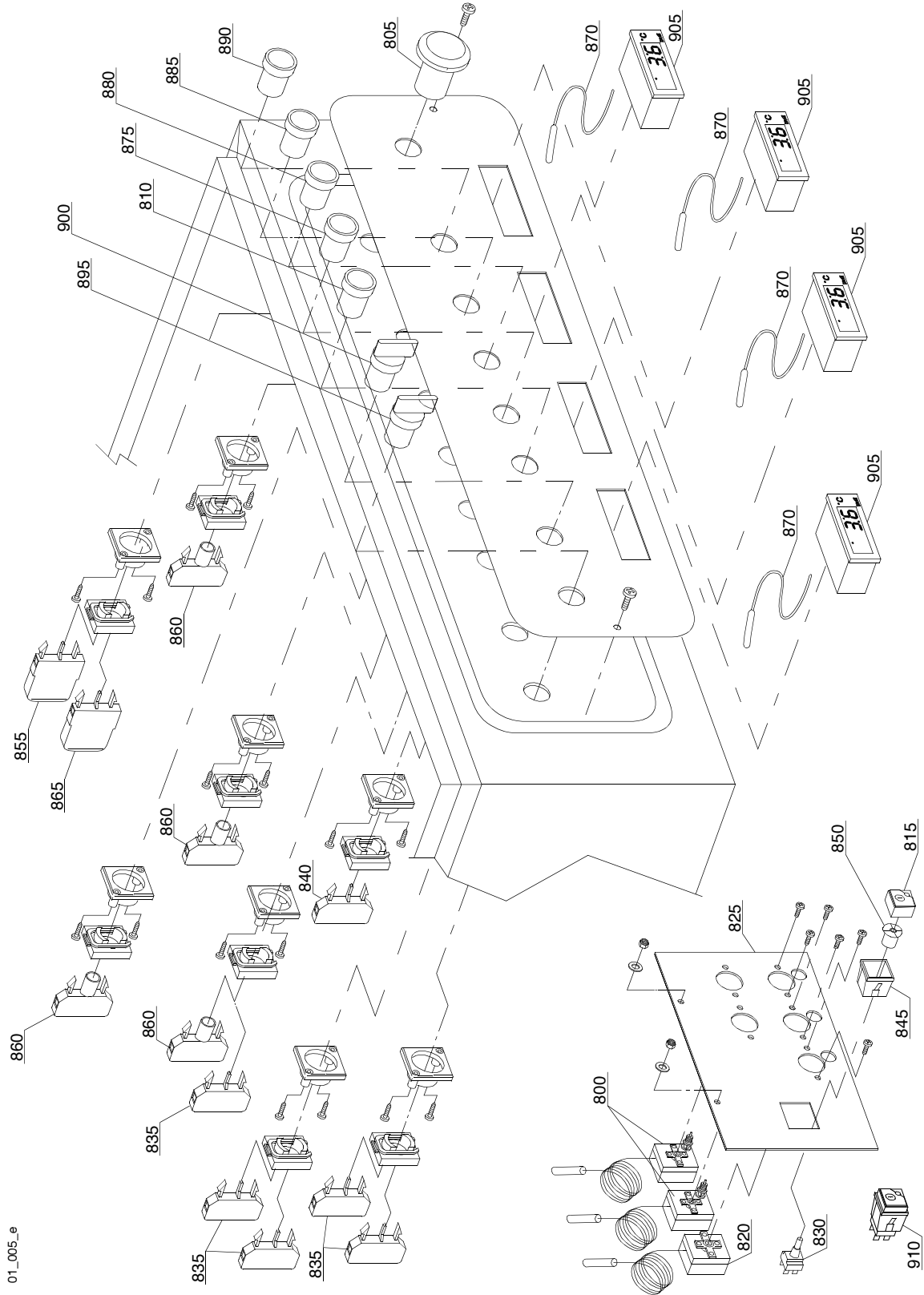
Tanks insulation	117
Tanks insulation	119
Double skin.....	121
Double skin	123
Booster pump	125
Dispensers SDN-3	127
Angle loading table 90° - LC 98	129
Baskets	131
Accessory	133

1.1 Voltage codes

Voltage code	Voltage
A	3/N/PE~400/230V 50Hz
B	~250V 16A 50Hz
C	3/N/PE~380/220V 50Hz
D	3/PE~200V 50-60Hz
F	2/PE 220-240V 50Hz
G	3/N/PE~415/240V 50Hz
H	3/PE~230V 50Hz
I	3/PE~220V 60Hz
J	3/PE~380 50Hz
K	3/PE~400V 50Hz
L	3/PE~415V 50Hz
M	3/PE~440V 60Hz
N	3/PE~460V 60Hz
O	3/PE~480V 60Hz
P	1/N/PE~220-240V 50Hz
R	2/PE~220-230V 60Hz
S	3/N/PE~400/230V 50Hz
T	3/PE~230V 60Hz

1.2 Product codes

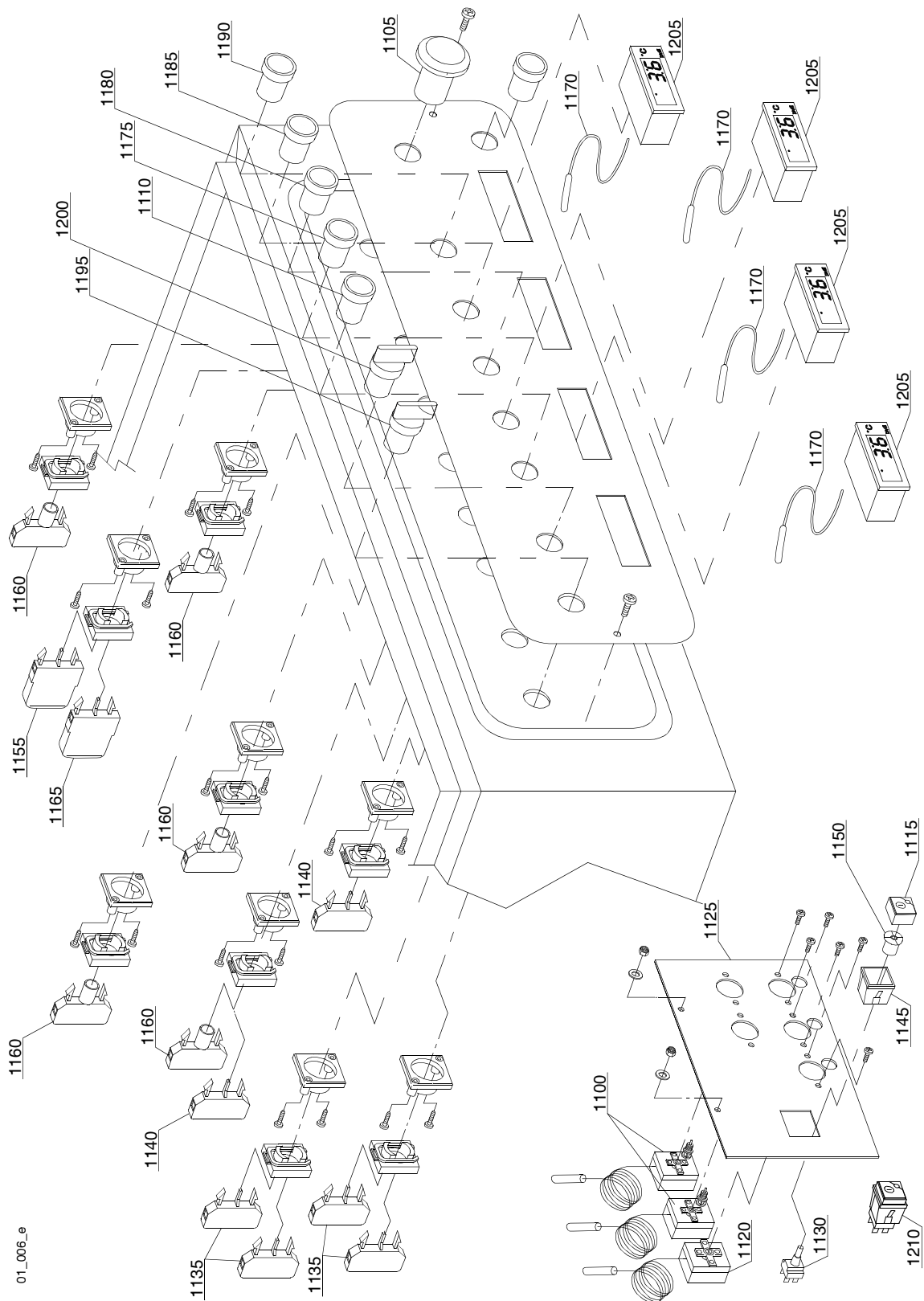
Product code	Full name
Model codes	
Type codes	
27	27
Accessory codes	
hr	HEAT RECOVERY - TR98
sc9	STEAM CONDENSER - LC 91
csa	CONVEYOR SPEED ADJUSTING- LC 101
972	90° MOTORIZED CHAIN CONVEYOR - LC 97/2
973	180° MOTORIZED CHAIN CONVEYOR - LC 97/3
974	DRYER WITH 90° MOTORIZED CHAIN CONVEYOR - LC 97/4
975	DRYER WITH 180° MOTORIZED CHAIN CONVEYOR - LC 97/5
d9	DRYER - LC 90
d92	DRYER - LC 90/2
d94	DRYER - LC 90/4
cw	ADDITIONAL BOILER FOR COLD WATER SUPPLY
dvgw	DVGW VALVE SYSTEM
des	DETERGENT ECONOMIZER SYSTEM
szc9	SPLASH ZONE WITH CILINDER - LC 94
sz9	SPLASH ZONE - LC 93
ti	TANKS INSULATION
ds	DOUBLE SKIN
bp	BOOSTER PUMP
sdn3	DISPENSERS SYSTEM SDN-3
98	ANGLE LOADING TABLE - LC 98



01_005_e

Spare parts

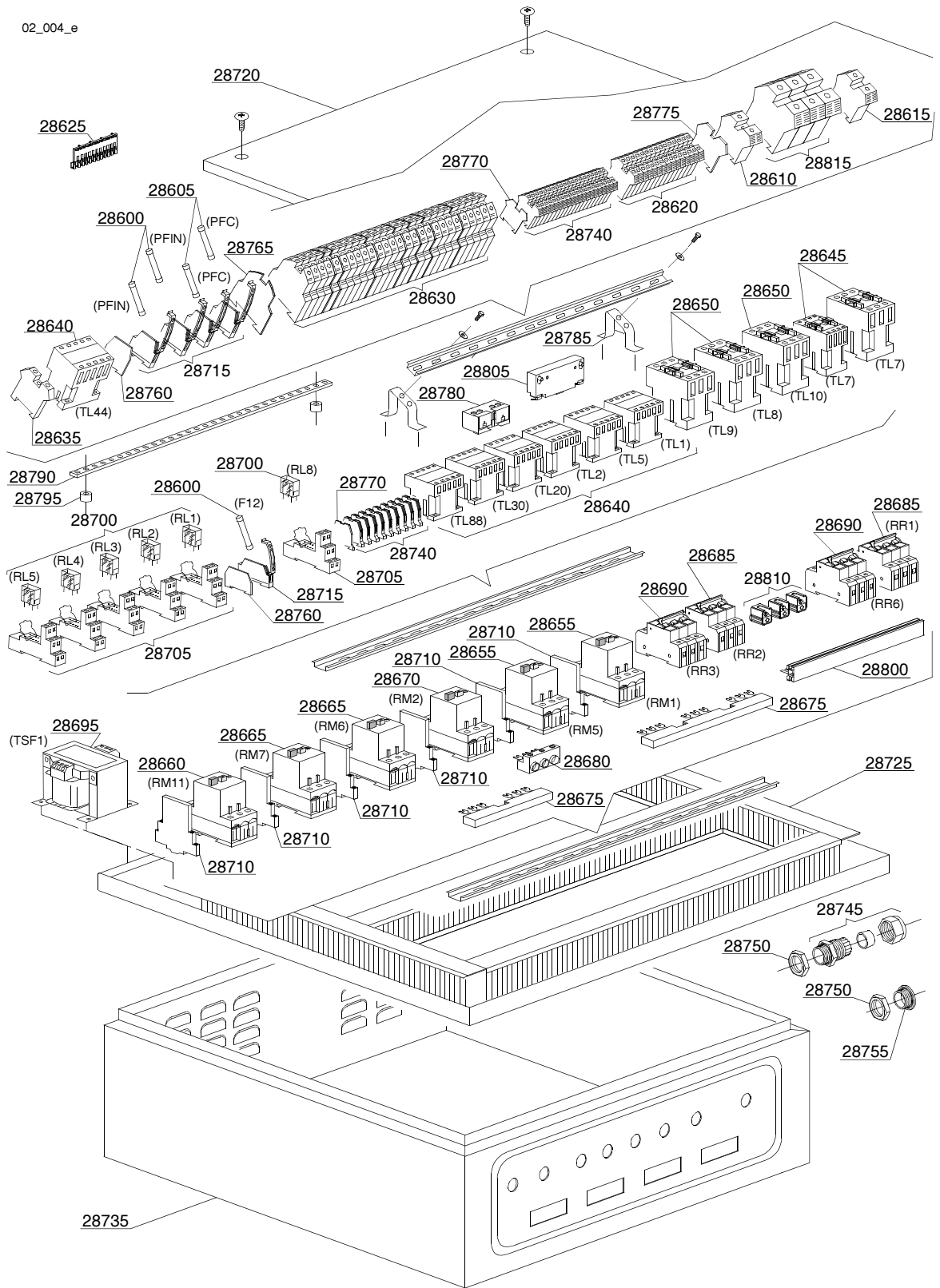
ID	P-code	Model	Type	Accessory	Voltage	Description
MODULE:Control Panel						
800	2000430		27			Safety thermostat
805	3002050		27			Emergency button
810	3002055		27			Button red
815	15874		27			Green main switch
820	10707/1		27			Thermostat 0 - 90° (TB2)
825	3009114		27			Assembly plate
830	15812		27			Starter electric component
835	3002054		27			Green contact piece (NO)
840	3002056		27			Red contact piece (NC)
845	15815		27			Support square single
850	15824		27			Green-orange cam
855	3002051		27			2NO contact (green)
860	2000234		27			Lamp holder
865	3002052		27			2NC contact (red)
870	3006121		27			Digital thermostat probe
875	2000284		27			Switch start green
880	2000230		27			Yellow pillow lamp
885	2000231		27			Red pillow lamp
890	2000232		27			Green pillow lamp
895	2000310		27			Selector
900	2000311		27			Selector
905	3006120		27			Digital thermostat
910	15849		27			Switch assembly



01_006_e

Spare parts

ID	P-code	Model	Type	Accessory	Voltage	Description
MODULE:Control Panel						
1100	2000430		27			Safety thermostat
1105	3002050		27			Emergency button
1110	3002055		27			Button red
1115	15874		27			Green main switch
1120	10707/1		27			Thermostat 0 - 90° (TB2)
1125	3009114		27			Assembly plate
1130	15812		27			Starter electric component
1135	3002054		27			Green contact piece (NO)
1140	3002056		27			Red contact piece (NC)
1145	15815		27			Support square single
1150	15824		27			Green-orange cam
1155	3002051		27			2NO contact (green)
1160	2000234		27			Lamp holder
1165	3002052		27			2NC contact (red)
1170	3006121		27			Digital thermostat probe
1175	2000284		27			Switch start green
1180	2000230		27			Yellow pillow lamp
1185	2000231		27			Red pillow lamp
1190	2000232		27			Green pillow lamp
1195	2000310		27			Selector
1200	2000311		27			Selector
1205	3006120		27			Digital thermostat
1210	15849		27			Switch assembly

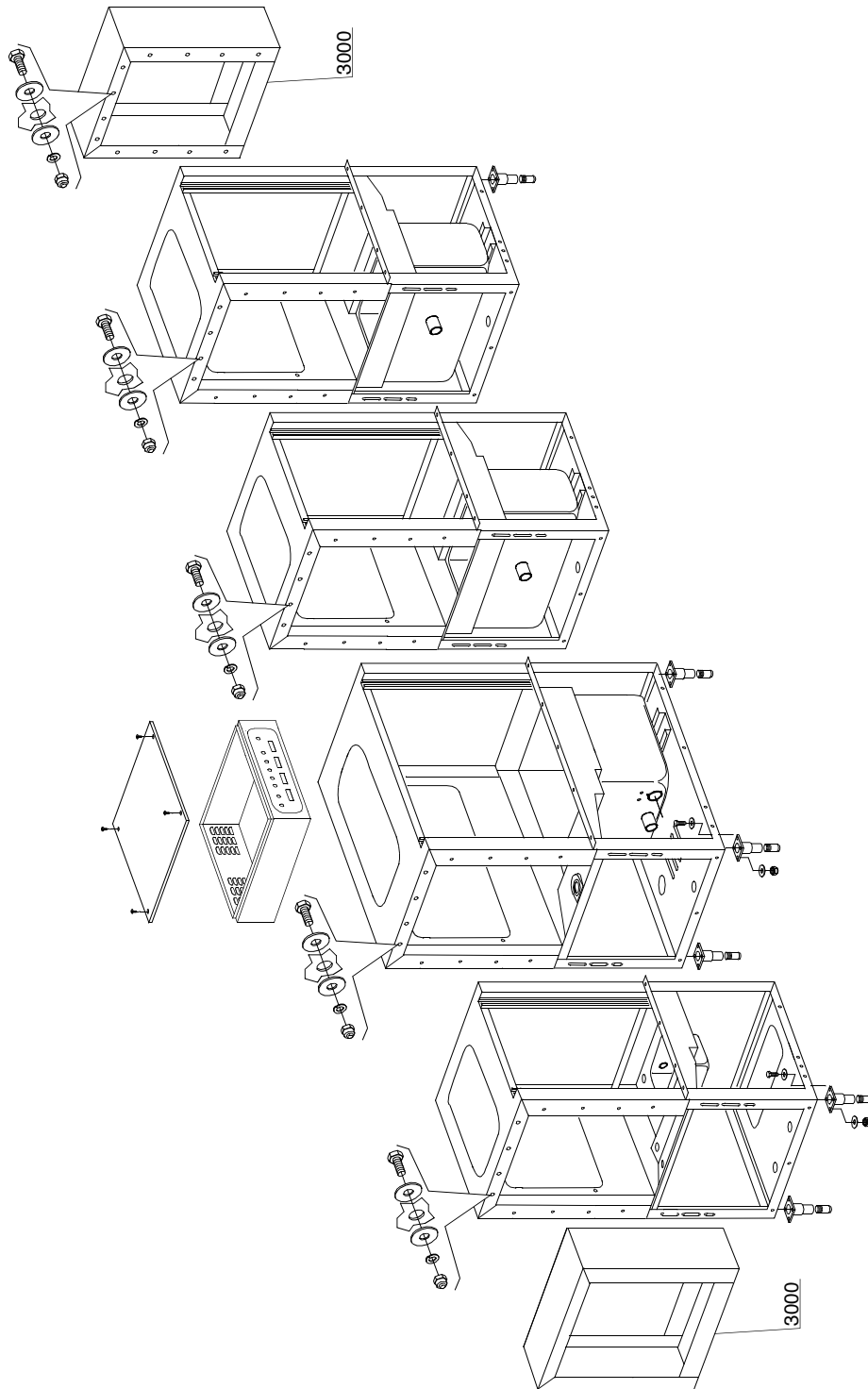


Spare parts

ID	P-code	Model	Type	Accessory	Voltage	Description
MODULE:Electric parts						
28600	15160		27		A	Fuse 5x20 10A
28605	15163		27		A	Fuse 5x20 1A
28610	3006090		27		A	Clamp 35 mm
28615	3006091		27		A	Earth clamp 35 mm
28620	10300403		27		A	Clamp 6 mm
28625	3006066		27		A	Contacteur
28630	3006072		27		A	Double clamp 4mm
28635	3006093		27		A	DIN guide backstop
28640	2000370		27		A	Contacteur MC9
28645	2000380		27		A	Contacteur BF12 (heating element < 9 kW)
28645	2000385		27		A	Contacteur BF20 (heating element > 9 kW)
28650	2000385		27		A	Contacteur BF20
28655	2000390		27		A	Motorprotector 1 - 1.6A
28660	2000393		27		A	Motorprotector 1,6-2,5A
28665	2000394		27		A	Motorprotector 2,5-4A
28670	2000400		27		A	Motorprotector 4-6,3A
28675	3006085		27		A	2 position electrical contactor LMS25
28675	3006086		27		A	3 position electrical contactor LMS25
28675	3006100		27		A	4 position electrical contactor LMS25
28675	3006101		27		A	5 position electrical contactor LMS25
28680	3006087		27		A	Clamp
28685	2000403		27		A	Automatic fuse C20 (heating element < 9 kW)
28685	2000404		27		A	Automatic fuse C25 (heating element > 9 kW)
28690	2000403		27		A	Automatic fuse C20 (heating element < 9 kW)
28690	2000404		27		A	Automatic fuse C25 (heating element > 9 kW)
28695	3006061		27		A	Transformer 200VA
28700	3006078		27		A	Relay
28705	3006079		27		A	Base for relay
28710	3006080		27		A	Auxiliary contact LMS25
28715	3006147		27		A	Fuse holder
28720	3009197		27		A	Control panel cover
28720	3009652		27		A	Control panel cover
28725	3009146		27		A	Electric parts pannel
28730	3009145		27		A	Comand parts pannel
28735	3019030		27		A	Control panel case
28735	3009654		27		A	Control panel case
28740	3006092		27		A	Clamp 4mm
28745	80419		27		A	Cable-fastener PG29
28750	80420		27		A	Lock nut
28755	80421		27		A	Plug PG29
28760	3006144		27		A	Fuse holder covering plate
28765	3006071		27		A	Double clamp covering plate 4mm
28770	3006083		27		A	Clamp covering plate 4mm
28775	3006084		27		A	Clamp covering plate 35mm

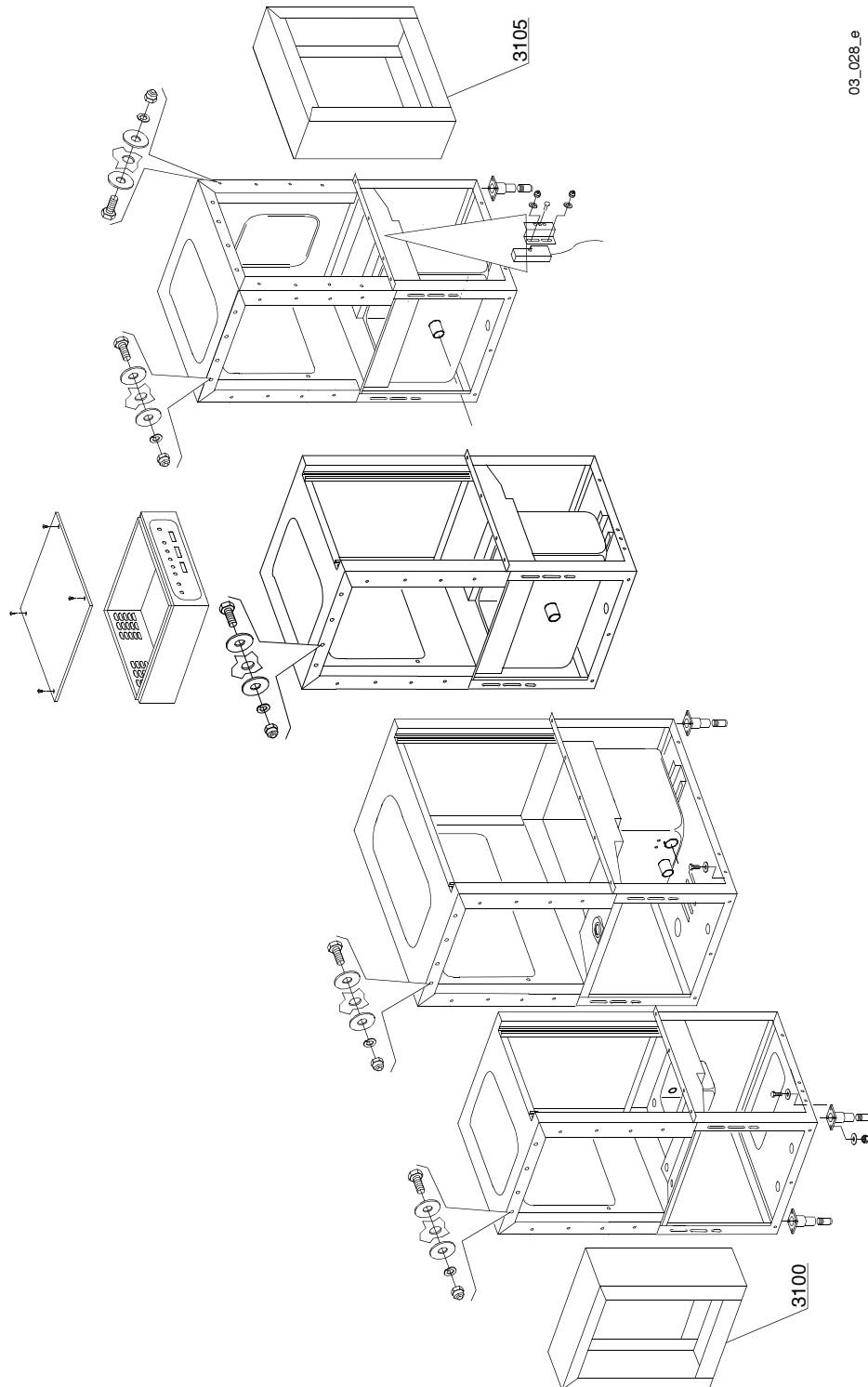
Spare parts

ID	P-code	Model	Type	Accessory	Voltage	Description
28780	3006068		27		A	MC9 auxiliary contact 1NO-1NC
28780	3002057		27		A	MC9 auxiliary contact 2NO
28780	3002052		27		A	MC9 auxiliary contact 2NC
28785	3006067		27		A	DIN guide support
28790	3006161		27		A	Electrical bonding bar
28795	3006162		27		A	Insulators
28800	3006163		27		A	Connection bar
28805	3006153		27		A	Mechanical lock safety
28810	3006160		27		A	Feed clamp 35mm
28815	3006090		27		A	Clamp 35mm (Imax<90A)
28815	3006108		27		A	Clamp 70mm (Imax>90A)



Spare parts

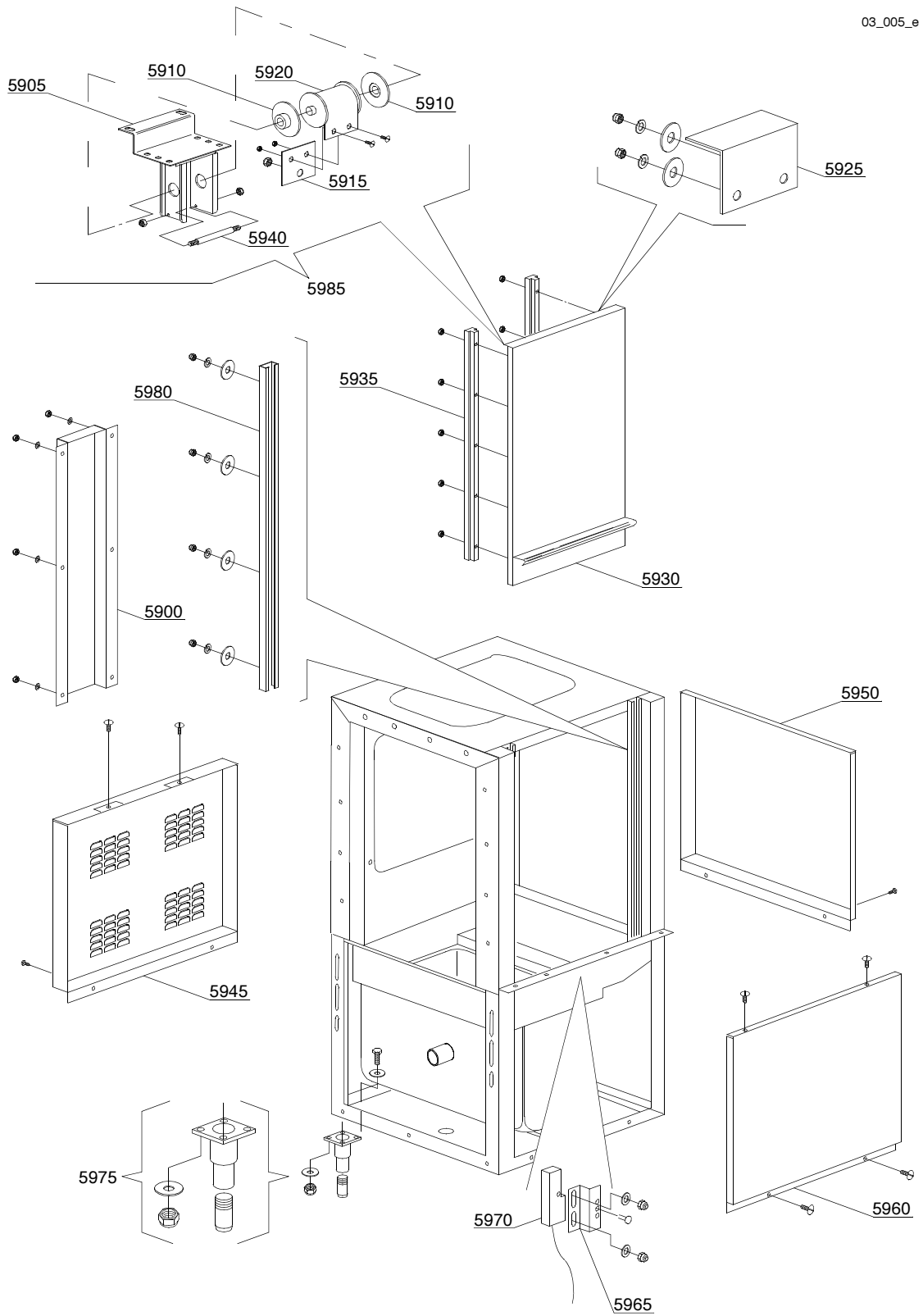
ID	P-code	Model	Type	Accessory	Voltage	Description
MODULE:Machine structure in modules						
3000	3019021		27			Splash zone



03_028_e

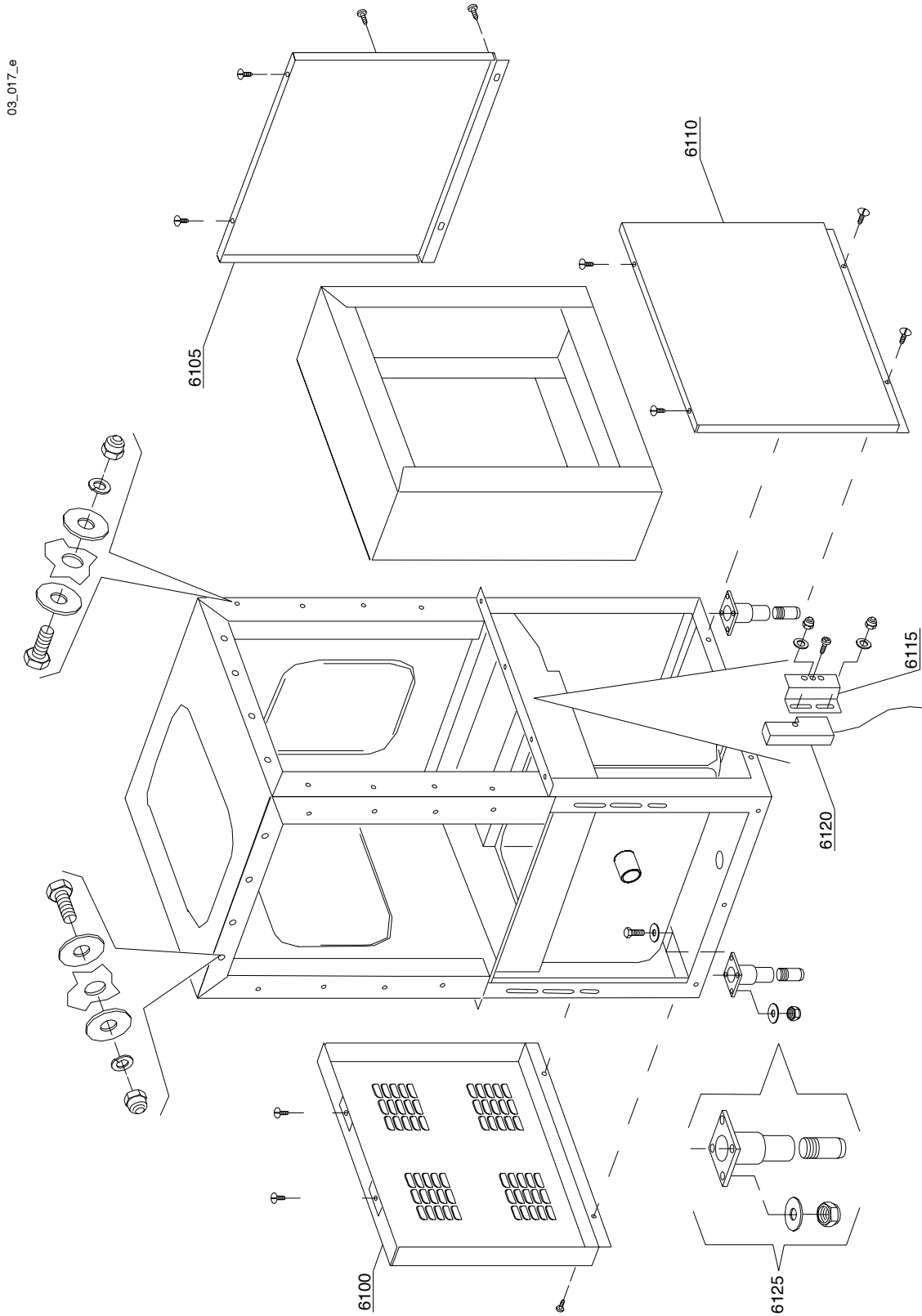
Spare parts

ID	P-code	Model	Type	Accessory	Voltage	Description
MODULE:Machine structure in modules						
3100	3019021		27			Splash zone
3105	3009504		27			Splash zone



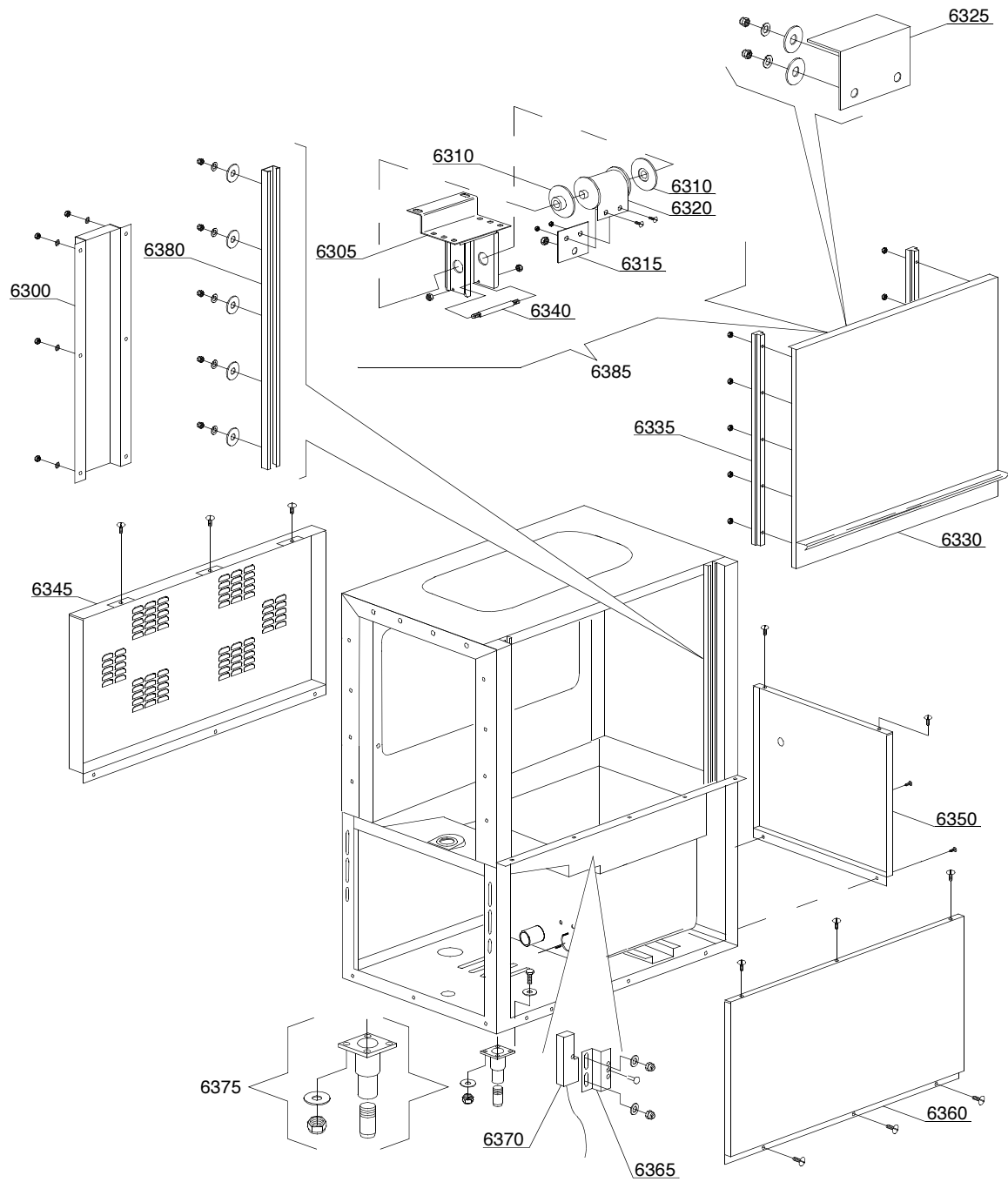
Spare parts

ID	P-code	Model	Type	Accessory	Voltage	Description
MODULE:Prewashing module 600						
5900	3009336		27			Rear cover
5905	3009909		27			Spring support
5910	3004012		27			Spring holder
5915	3009555		27			Spring clamping plate
5920	3004011		27			Door spring BBSR 23
5925	3009269		27			Door stop
5930	3009402		27			Door assembly
5935	3004026		27			Door guide
5940	3003958		27			Pin
5945	3009174		27			Rear panel
5950	3009189		27			Cover left
5950	3009188		27			Cover right
5960	3009178		27			Front cover right
5960	3009179		27			Front cover left
5965	3009112		27			Microswitch support
5970	3003112		27			Door microswitch
5975	3004060		27			Foot
5980	3009033		27			Slideways
5985	3009905		27			Spring assembly BBSR 23



Spare parts

ID	P-code	Model	Type	Accessory	Voltage	Description
MODULE:Angle prewashing module 600						
6100	3009174		27			Rear panel
6105	3009190		27			Cover left
6105	3009191		27			Cover right
6110	3009124		27			Front cover right
6110	3009125		27			Front cover left
6115	3009112		27			Microswitch support
6120	3003112		27			Door microswitch
6125	3004060		27			Foot

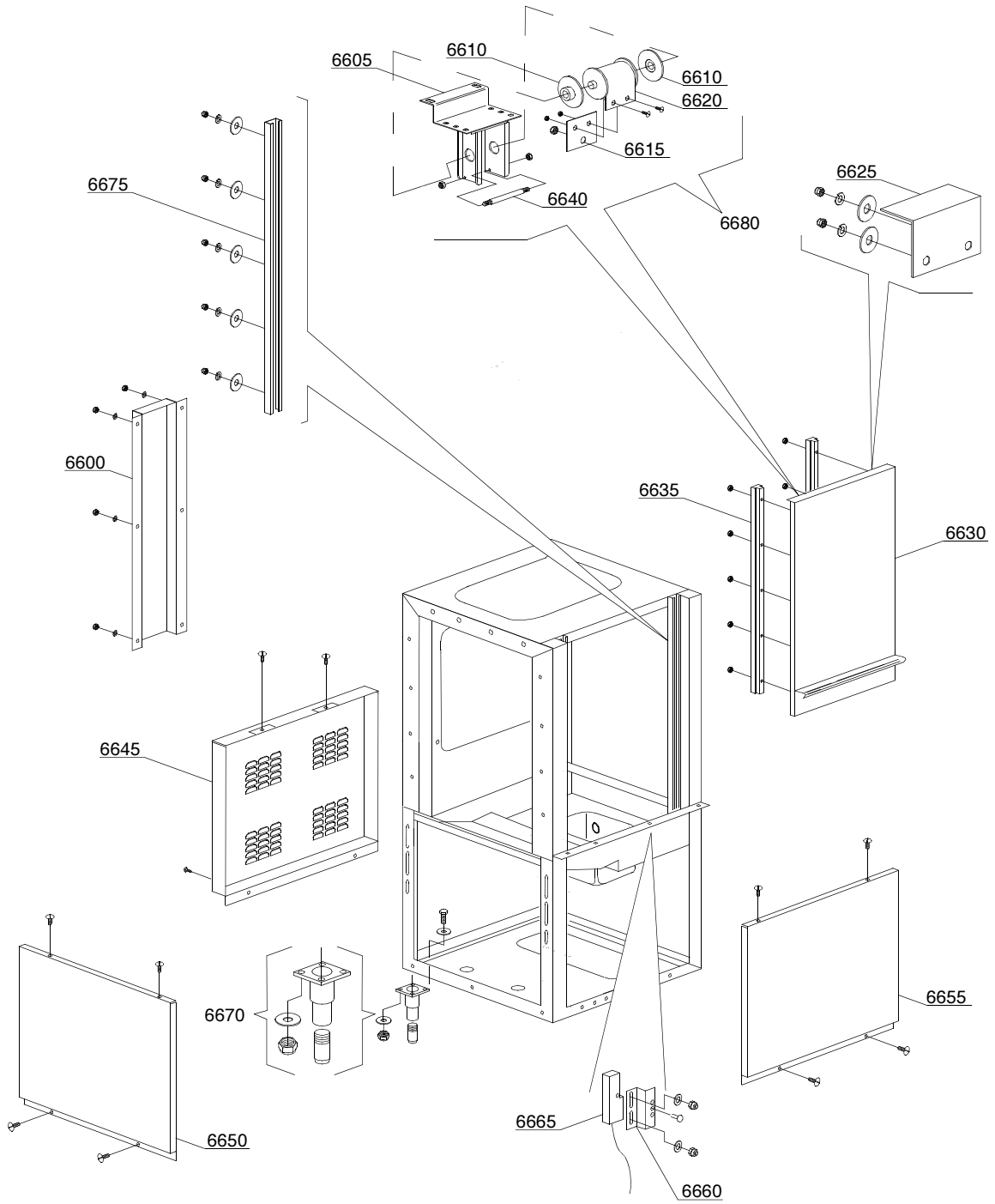


03_004_e

Spare parts

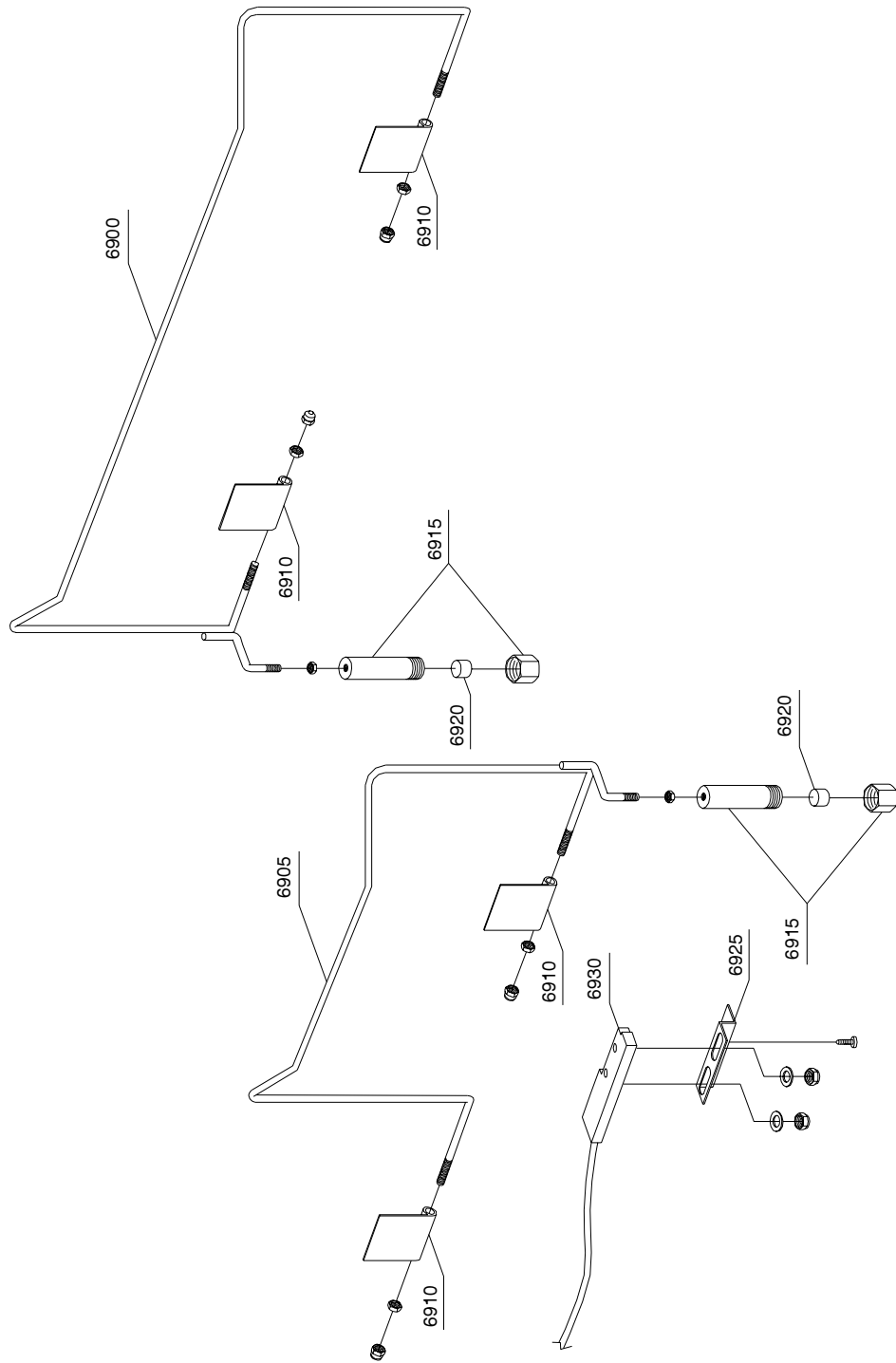
ID	P-code	Model	Type	Accessory	Voltage	Description
MODULE:Washing module 900						
6300	3009336		27			Rear cover
6305	3009904		27			Spring support
6310	3004012		27			Spring holder
6315	3009555		27			Spring clamping plate
6320	3004013		27			Door spring BBSR 22
6325	3009269		27			Door stop
6330	3009403		27			Door assembly
6335	3004026		27			Door guide
6340	3003959		27			Pin
6345	3009170		27			Rear panel
6350	3009189		27			Cover left
6350	3009188		27			Cover right
6360	3009147		27			Front cover
6365	3009112		27			Microswitch support
6370	3003112		27			Door microswitch
6375	3004060		27			Foot
6380	3009033		27			Slideways
6385	3009906		27			Spring assembly BBSR 22

03_006_e



Spare parts

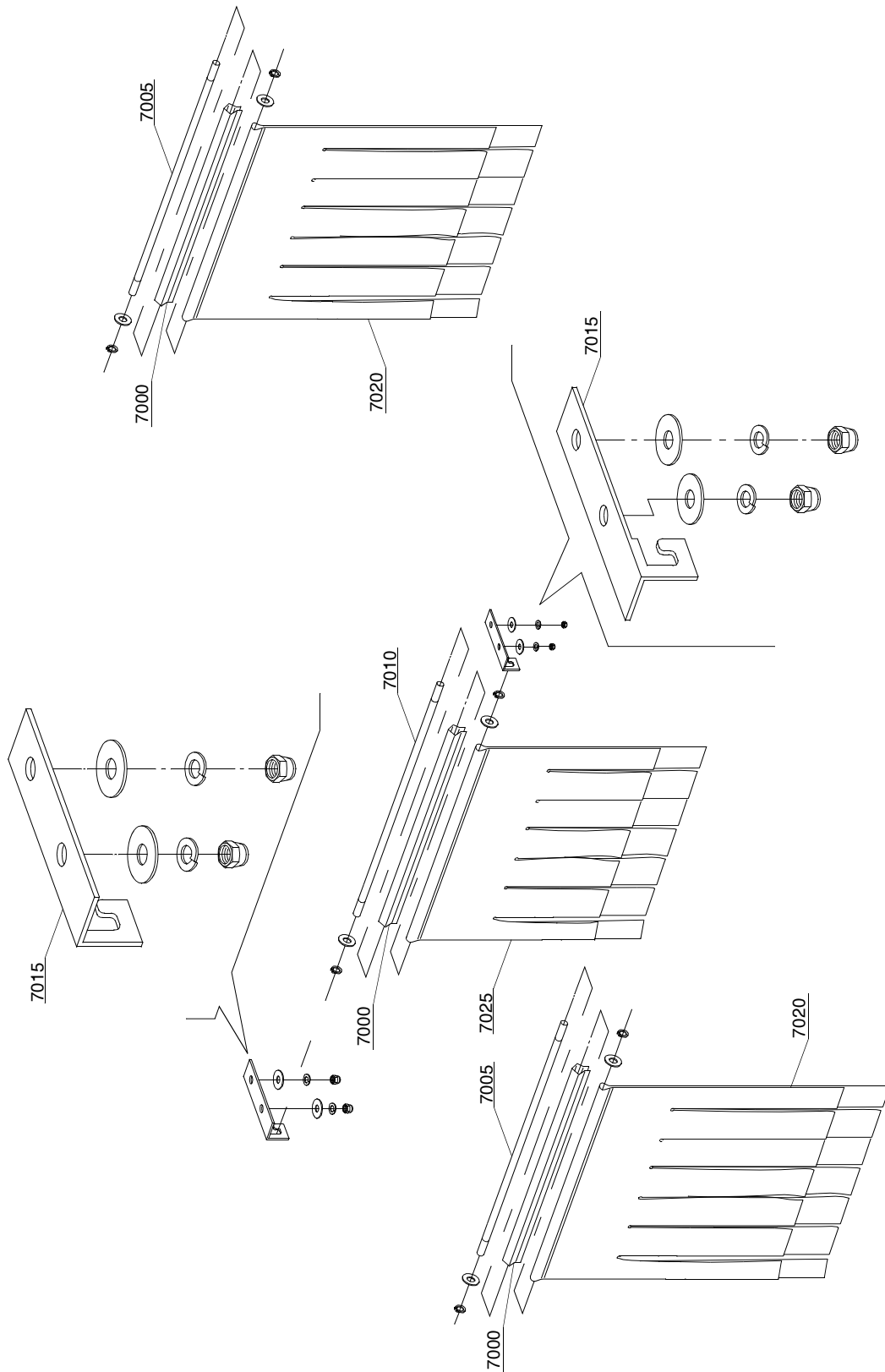
ID	P-code	Model	Type	Accessory	Voltage	Description
MODULE:Rising module 600						
6600	3009336		27			Rear cover
6605	3009909		27			Spring support
6610	3004012		27			Spring holder
6615	3009555		27			Spring clamping plate
6620	3004011		27			Door spring BBSR 23
6625	3009269		27			Door stop
6630	3009402		27			Door assembly
6635	3004026		27			Door guide
6640	3003958		27			Pin
6645	3009174		27			Rear panel
6650	3009188		27			Cover left
6650	3009189		27			Cover right
6655	3009178		27			Front cover right
6655	3009179		27			Front cover left
6660	3009112		27			Microswitch support
6665	3003112		27			Door microswitch
6670	3004060		27			Foot
6675	3009033		27			Slideways
6680	3009905		27			Spring assembly BBSR 23



03_102_e

Spare parts

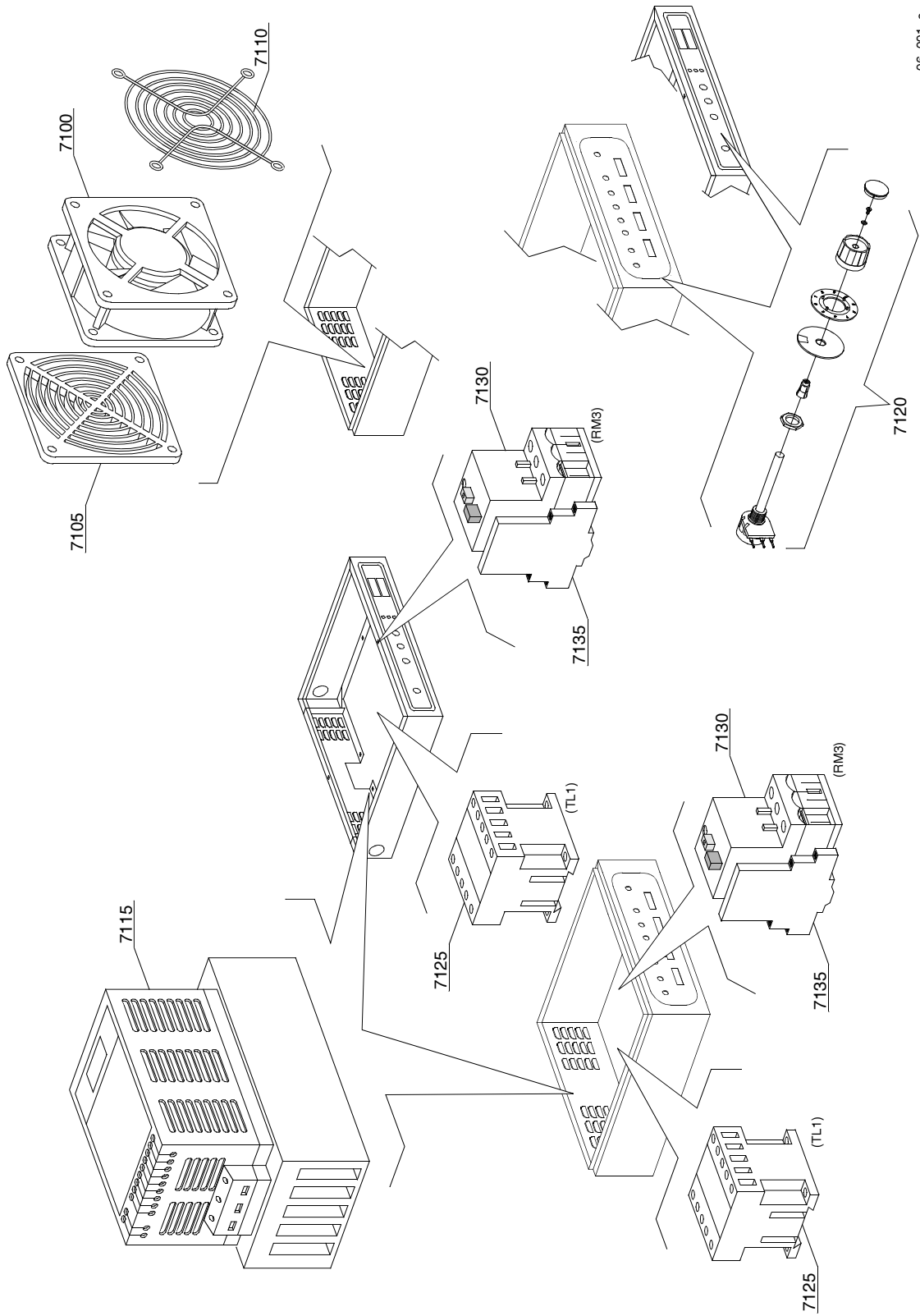
ID	P-code	Model	Type	Accessory	Voltage	Description
MODULE:Economizer components						
6900	3003074		27			Rack switch arm right
6900	3003075		27			Rack switch arm left
6905	3003072		27			Rack switch arm right
6905	3003073		27			Rack switch arm left
6910	3003061		27			Economizer support
6915	3003058		27			Magnet holder
6920	3003113		27			Magnet
6925	3009112		27			Door microswitch support
6930	3003112		27			Door microswitch



03_201_e

Spare parts

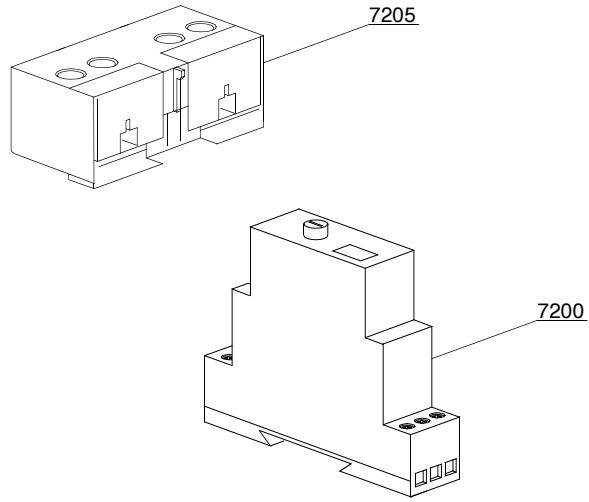
ID	P-code	Model	Type	Accessory	Voltage	Description
MODULE: Curtains group components						
7000	3009109		27			Curtain moulding
7005	3004053		27			Curtain rod short
7010	3004052		27			Curtain rod long
7015	3009110		27			Curtain support
7020	3004050		27			Curtain long
7025	3004051		27			Curtain short



06_001_e

Spare parts

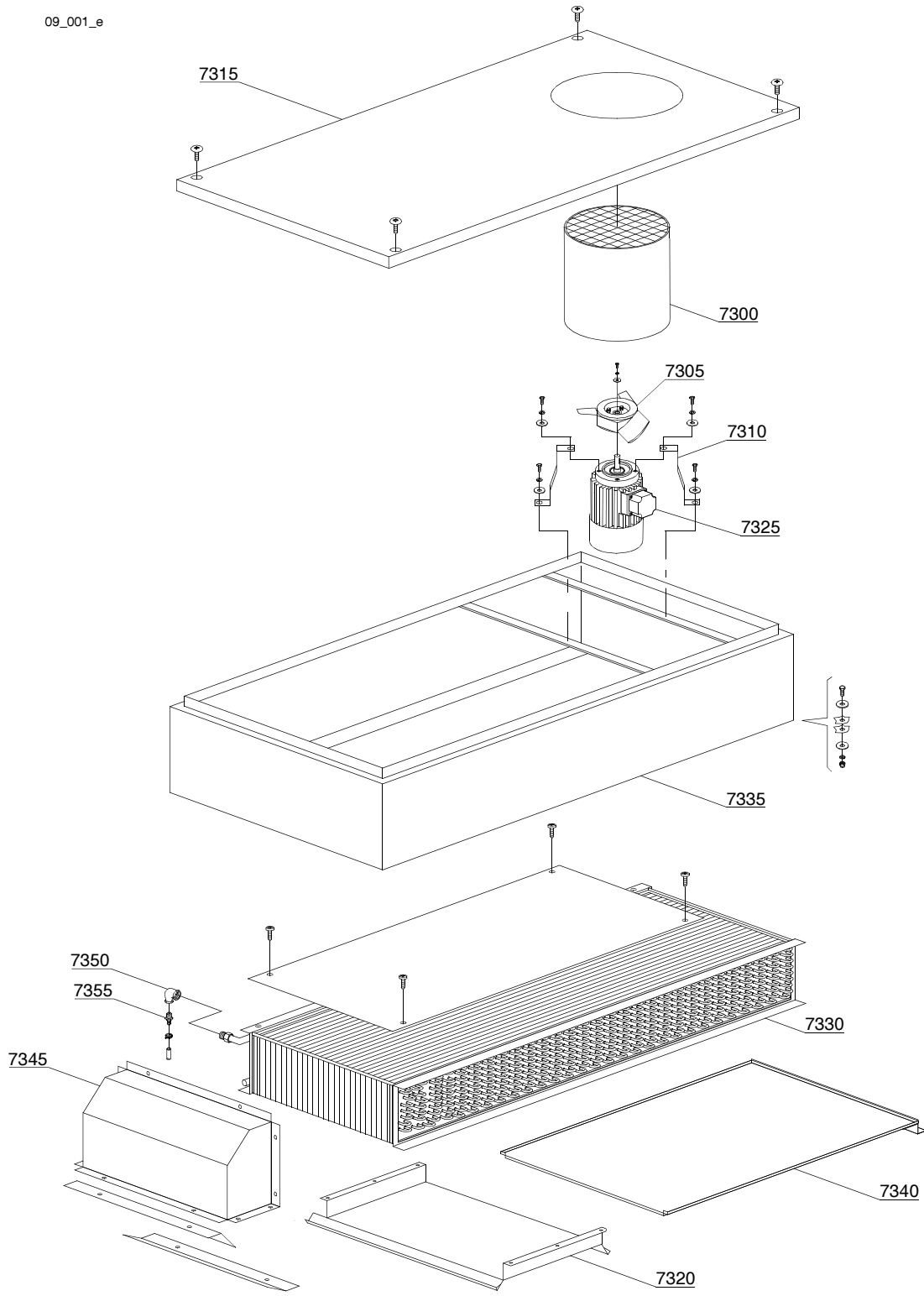
ID	P-code	Model	Type	Accessory	Voltage	Description
MODULE:Inverter						
7100	3000118		27	csa	A	Impeller fan
7105	3000118/A		27	csa	A	Filter
7110	3000118/B		27	csa	A	Grid
7115	3000117		27	csa	A	Inverter 0,37kW
7120	3000119		27	csa	A	Potentiometer with knob
7125	2000370		27	csa	A	Contactator MC9
7130	2000400		27	csa	A	Motorprotector 4-6,3A
7135	3006080		27	csa	A	Auxiliary contact LMS25



07_001_e

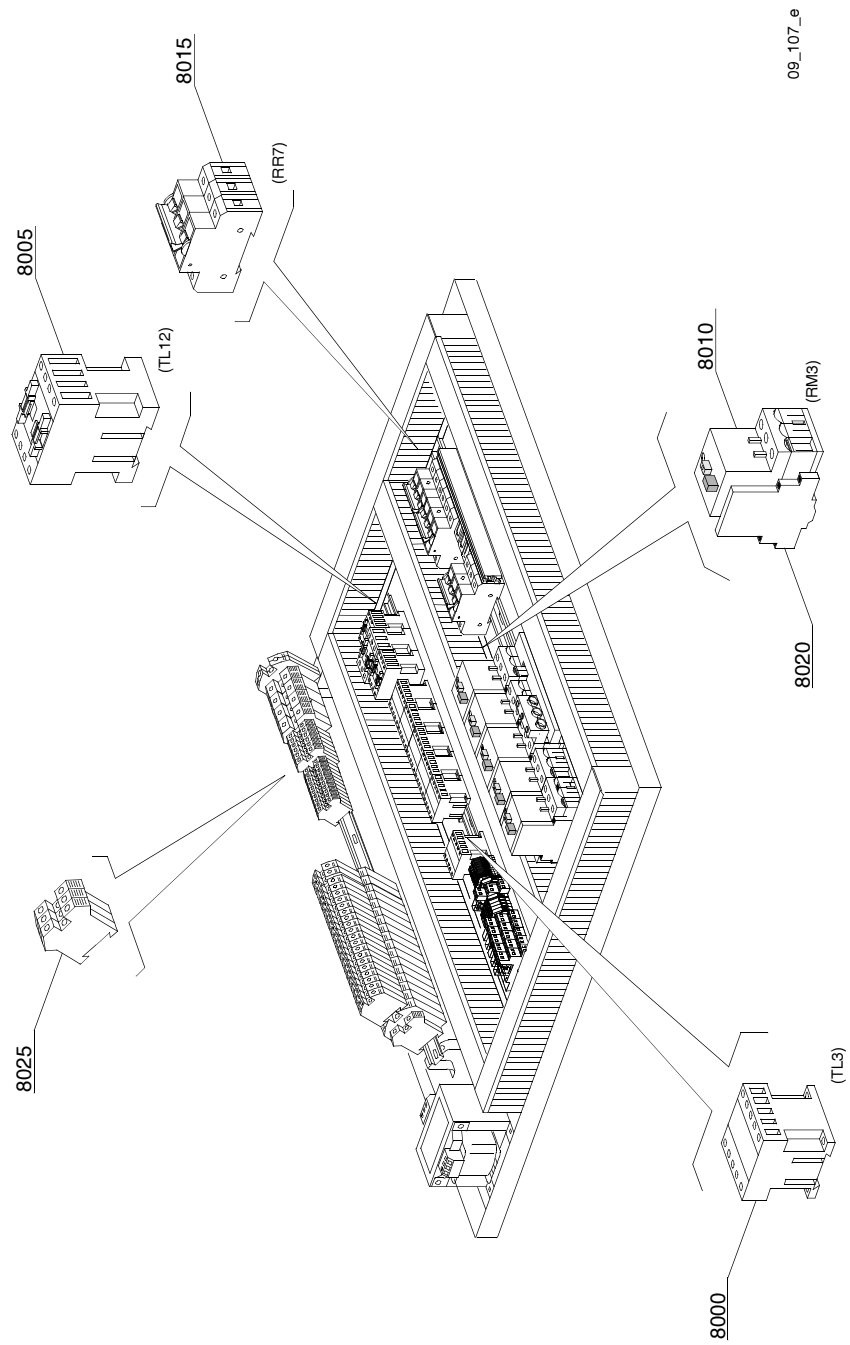
Spare parts

ID	P-code	Model	Type	Accessory	Voltage	Description
MODULE:Time relay						
7200	3006225		27	sc9,hr,d9,d92,d94,974,975	A	Time relay 24V
7205	3006068		27	sc9,hr,d9,d92,d94,974,975	A	MC9 auxiliary contact 1NO-1NC
7205	3002057		27	sc9,hr,d9,d92,d94,974,975	A	MC9 auxiliary contact 2NO
7205	3002052		27	sc9,hr,d9,d92,d94,974,975	A	MC9 auxiliary contact 2NC



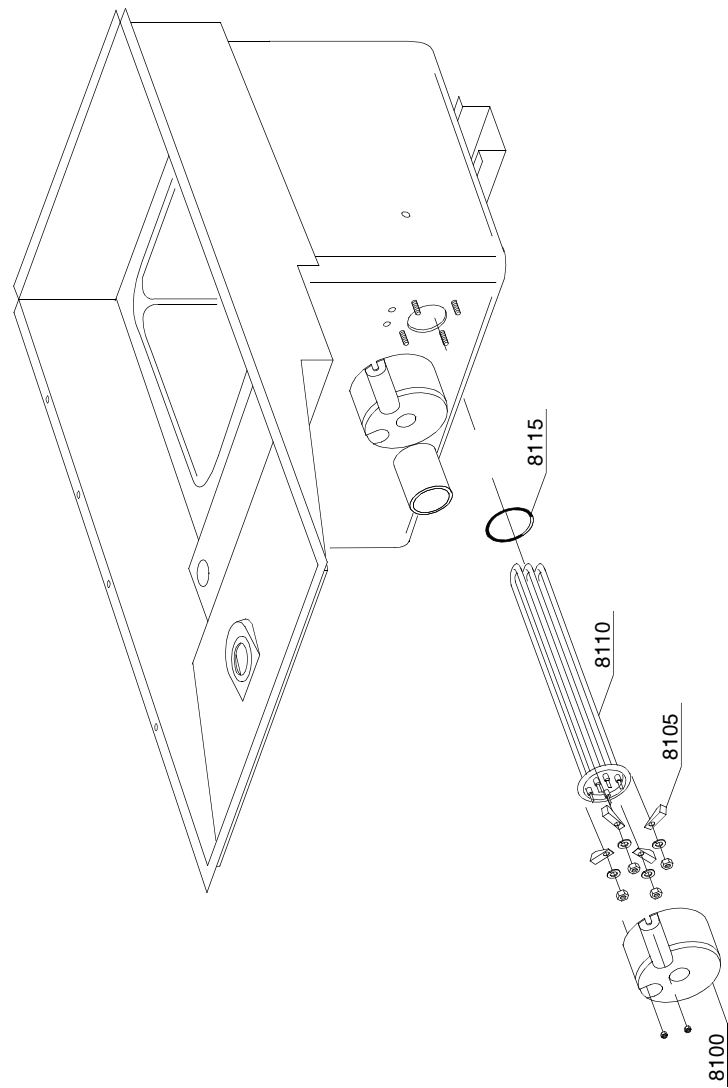
Spare parts

ID	P-code	Model	Type	Accessory	Voltage	Description
MODULE:Heat recovery TR98 - part 1						
7300	3009499		27	hr		Chimney
7305	3000125		27	hr		Impeller fan
7310	3009106		27	hr		Motor holder
7315	3009318		27	hr		Cover TR98
7320	3009090		27	hr		Suction group
7325	3000120		27	hr	A	Motor 0.18KW
7330	3000151		27	hr		Heating recovery battery
7335	3009498		27	hr		Complete body
7340	3009501		27	hr		Tray
7345	3009500		27	hr		Cope
7350	3002138		27	hr		Elbow
7355	12023		27	hr		Hose holder



Spare parts

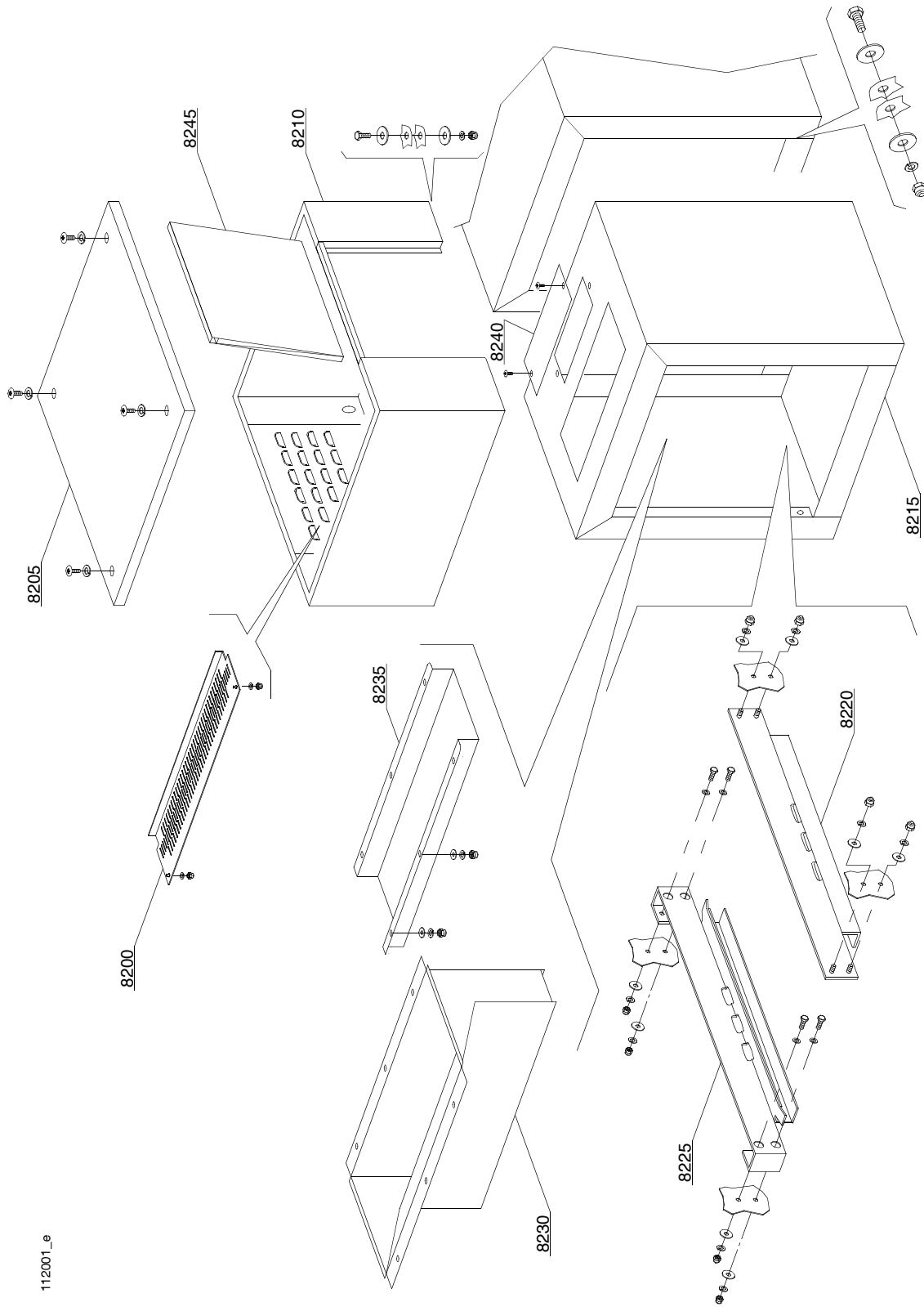
ID	P-code	Model	Type	Accessory	Voltage	Description
MODULE:Heat recovery TR98 - part 2						
8000	2000370		27	hr	A	Contacteur MC9
8005	2000380		27	hr	A	Contacteur BF12 (heating element < 9 kW)
8005	2000385		27	hr	A	Contacteur BF20 (heating element > 9 kW)
8010	2000390		27	hr	A	Motorprotector 1 - 1.6A
8015	2000403		27	hr	A	Automatic fuse C20 (heating element < 9kW)
8015	2000404		27	hr	A	Automatic fuse C25 (heating element > 9kW)
8020	3006080		27	hr	A	Auxiliary contact LMS25
8025	10300403		27	hr	A	Clamp 6 mm



09_201_e

Spare parts

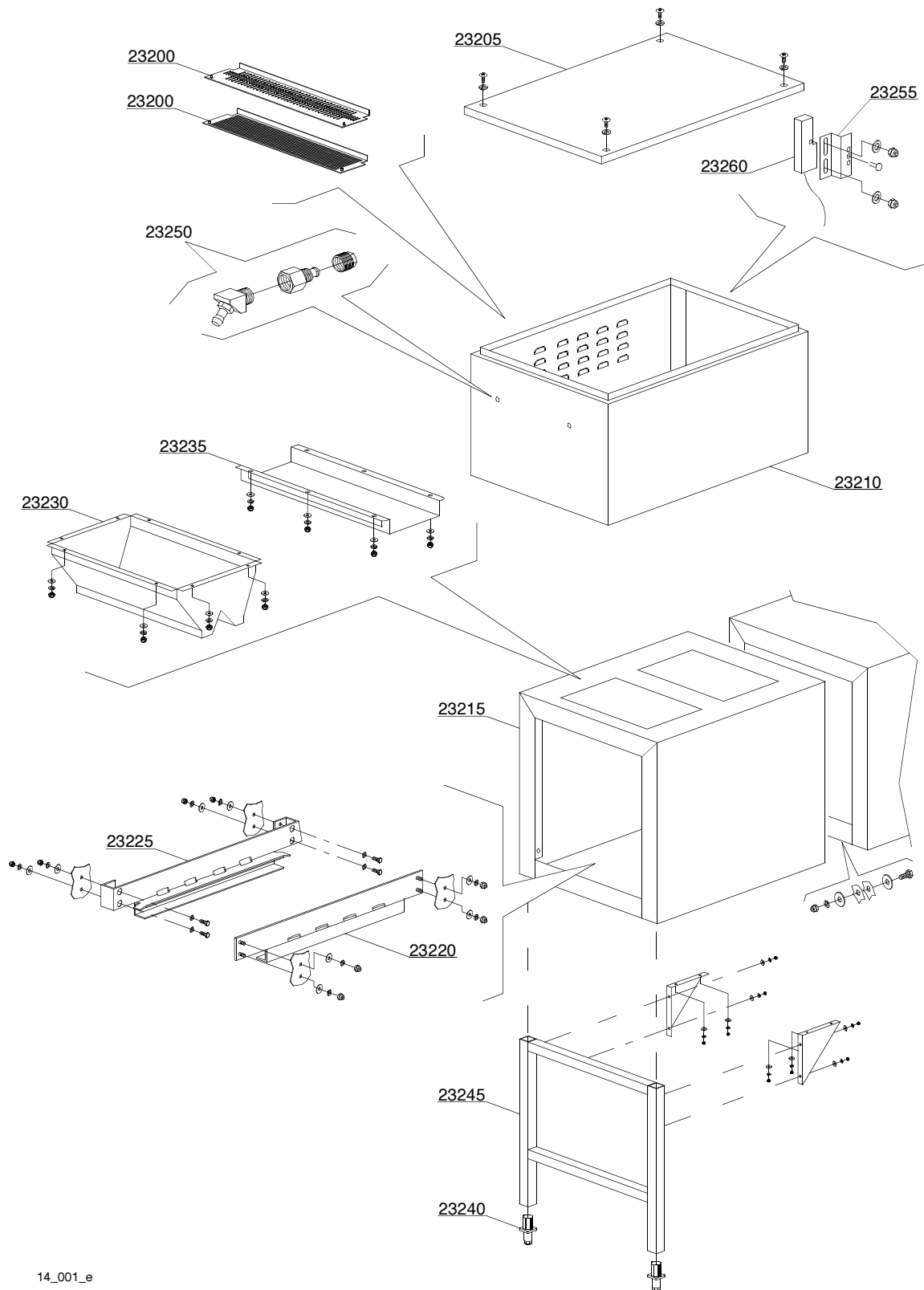
ID	P-code	Model	Type	Accessory	Voltage	Description
MODULE:Heat recovery TR98 - part 3						
8100	75311		27	hr		Heating element cover
8105	16045		27	hr		Heating element support Ø6.3
8110	30001010		27	hr		Heating element 6kW
8110	30001011		27	hr		Heating element 9kW
8110	30001011/A		27	hr		Heating element 12kW
8110	30001011/B		27	hr		Heating element 14kW
8115	13015		27	hr		O-ring 160 (6225)



112001_e

Spare parts

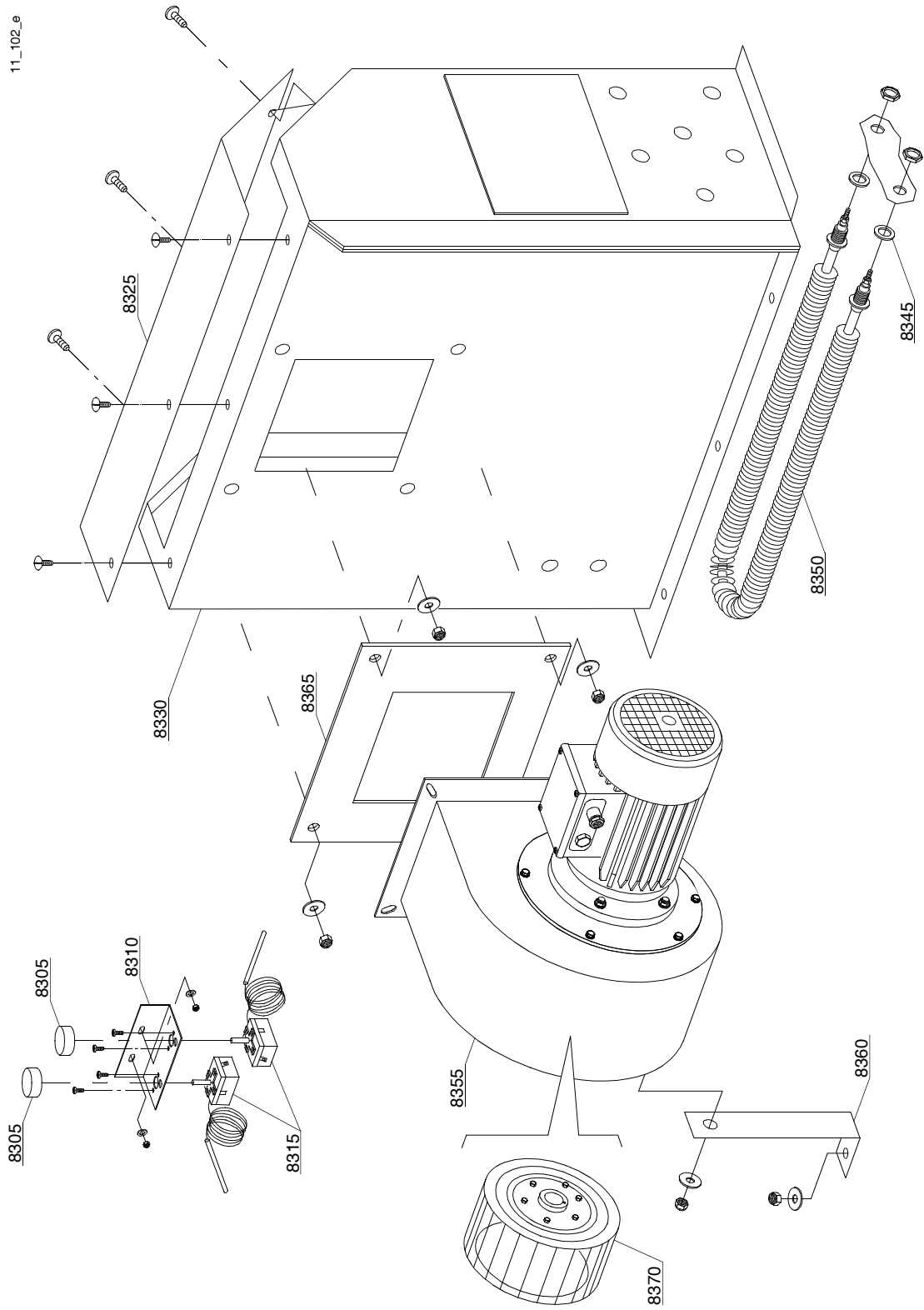
ID	P-code	Model	Type	Accessory	Voltage	Description
MODULE:Dryer LC 90 - LC 90/2 (6 - 12kW) - part 1						
8200	3009362/A		27	d9,d92		Protection
8205	3009267		27	d9,d92		Cover panel
8210	3009484		27	d9,d92		Complete body
8215	3009485		27	d9,d92		Dryer module
8220	3009047		27	d9,d92		Front slideways
8225	3009057		27	d9,d92		Back slideways
8230	3009492		27	d9,d92		Flow conveyor
8235	3009434		27	d9		Splash guard
8240	3009100		27	d92		Air covering
8245	3009268		27	d9,d92		Dryer carter lockup



14_001_e

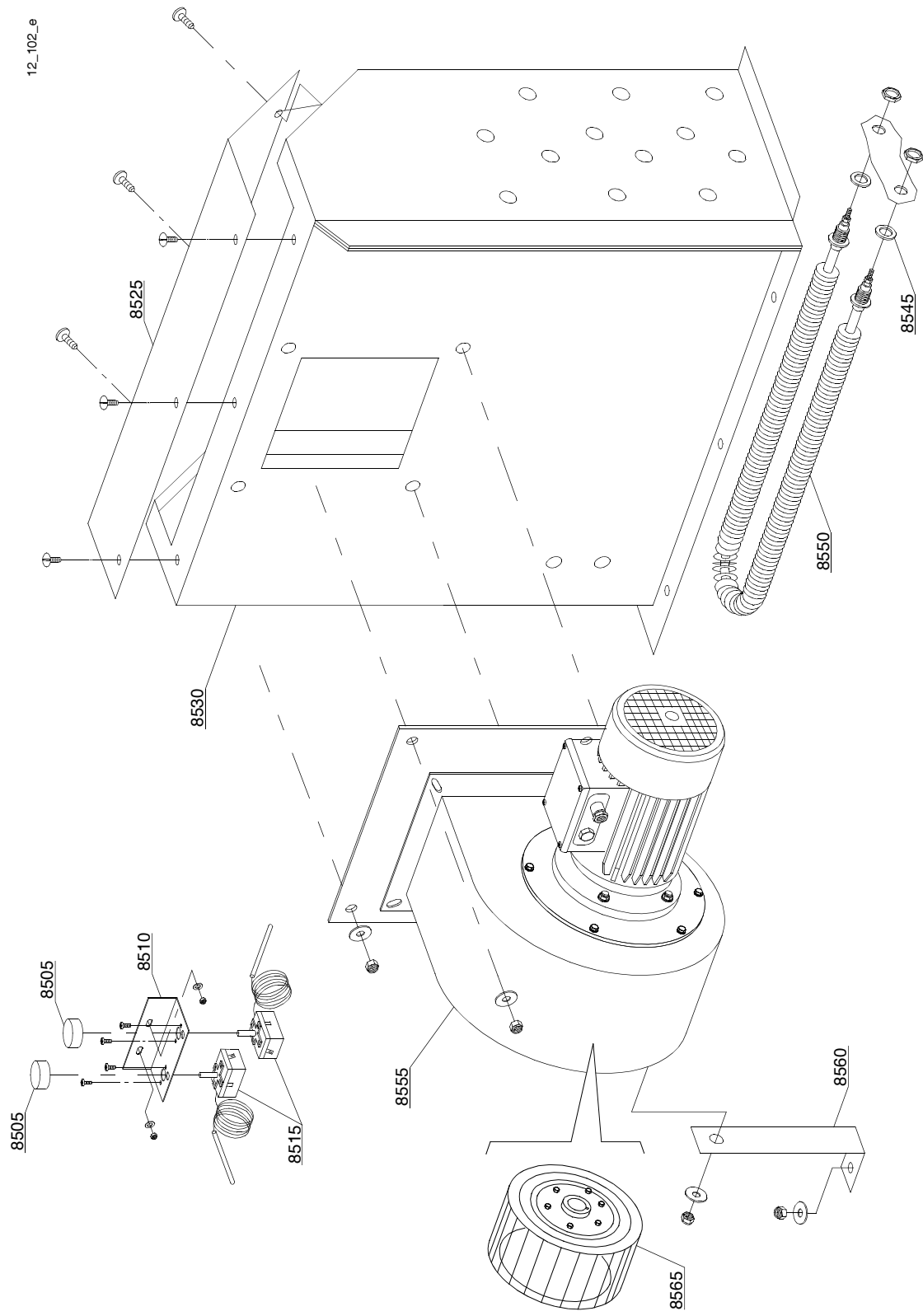
Spare parts

ID	P-code	Model	Type	Accessory	Voltage	Description
MODULE:Dryer LC 90/4 (18kW) - part 1						
23200	3009362/A		27	d94		Protection
23205	3009330		27	d94		Cover panel
23210	3009494		27	d94		Complete body
23215	3009495		27	d94		Dryer module
23220	3009333		27	d94		Front slideways
23225	3009332		27	d94		Back slideways
23230	3009441		27	d94		Splash guard
23235	3009440		27	d94		Splash guard
23240	3000252		27	d94		Adjustable food
23245	3003064		27	d94		Legs with support
23250	3004166		27	d94		Grease nipple
23255	3009112		27	d94		Microswitch support
23260	3003112		27	d94		Door microswitch
N.B.: NO MORE MADE. AVAILABLE ONLY SPARE PARTS.						



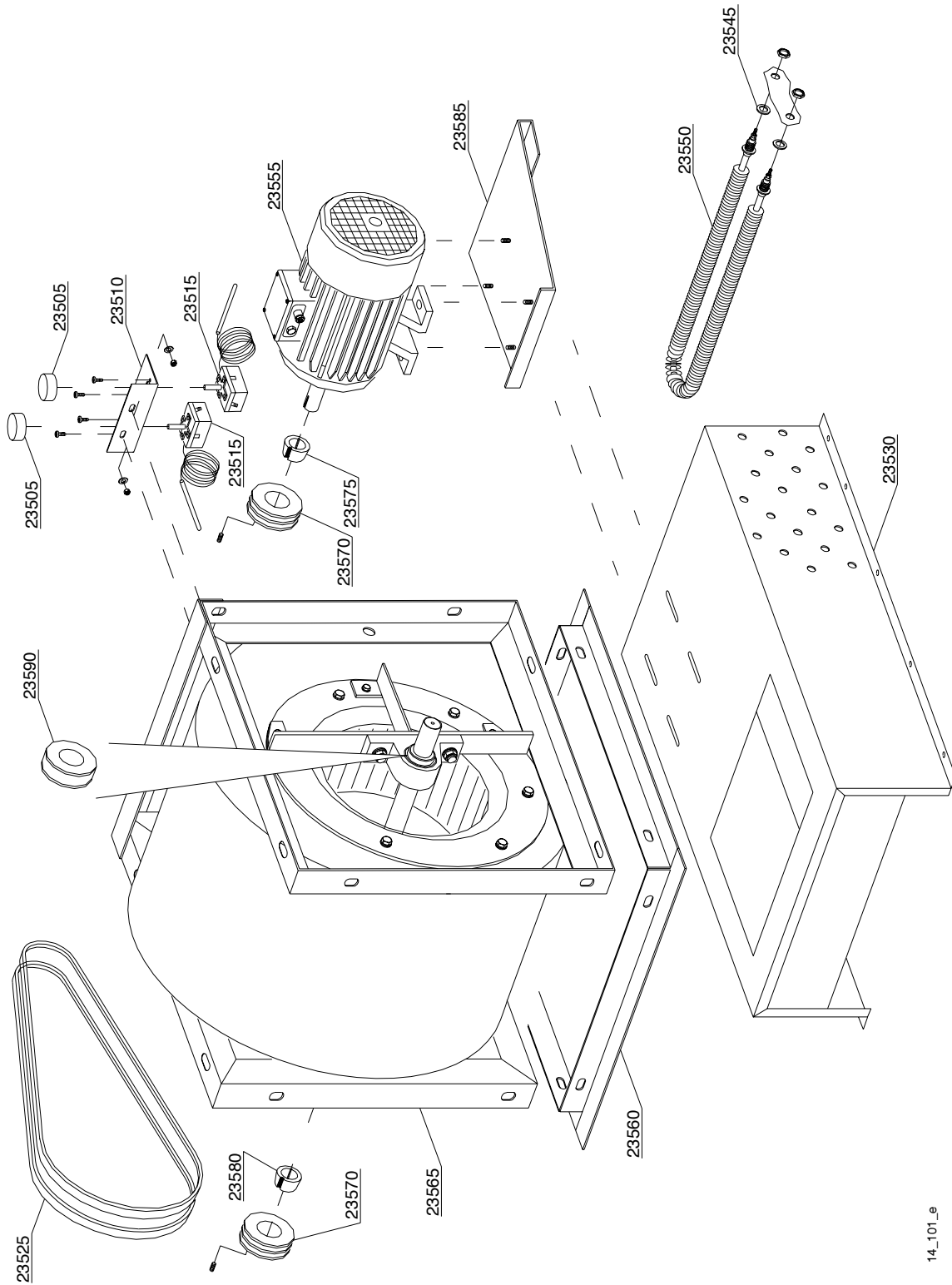
Spare parts

ID	P-code	Model	Type	Accessory	Voltage	Description
MODULE:Dryer LC 90 (6kW) - part 2						
8305	15105/A		27	d9		Thermostat knob
8310	3009104		27	d9		Themostat support
8315	10707/2		27	d9		Thermostat with shaft 0 - 90°
8325	3009085		27	d9		Cover drying conveyer
8330	3009486		27	d9		Right drying conveyer
8330	3009487		27	d9		Left drying conveyer
8345	10200171		27	d9		Gasket FASIT 25x17x2
8350	2000359		27	d9		Drying heating element with nut
8355	3000300		27	d9	A	Motorfan 0,55 kW
8360	3009214		27	d9		Motorfan support
8365	3009275		27	d9		Flange
8370	3000308		27	d9		Pump rotor



Spare parts

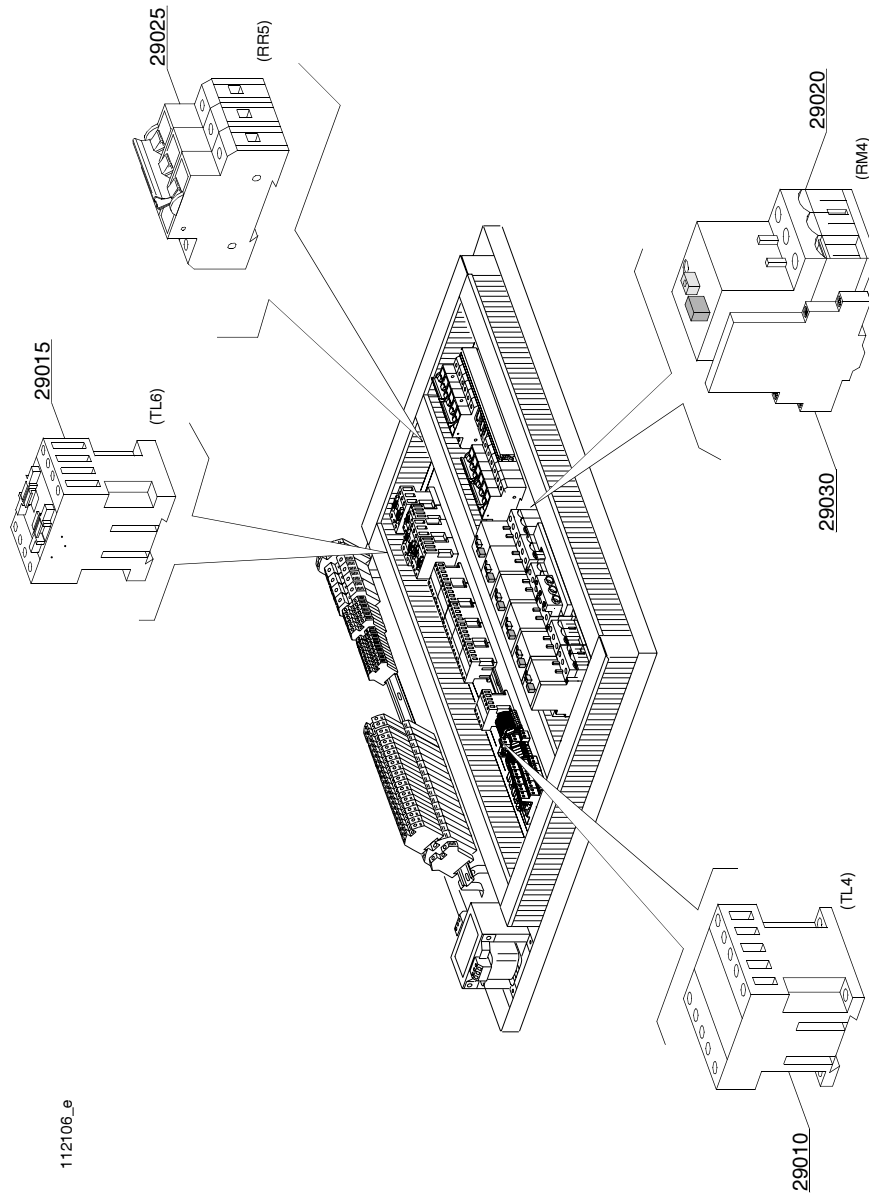
ID	P-code	Model	Type	Accessory	Voltage	Description
MODULE:Dryer LC 90/2 (12kW) - part 2						
8505	15105/A		27	d92,974,975		Thermostat knob
8510	3009104		27	d92,974,975		Thermostat support
8515	10707/2		27	d92,974,975		Thermostat with shaft 0 - 90°
8525	3009085		27	d92,974,975		Cover drying conveyer
8530	3009488		27	d92,974,975		Right drying conveyer
8530	3009489		27	d92,974,975		Left drying conveyer
8545	10200171		27	d92,974,975		Gasket FASIT 25x17x2
8550	2000359		27	d92,974,975		Drying heating element with nut
8555	3003118		27	d92,974,975		Motorfan 0.75 kW
8555	3000301		27	d92,974,975		Motorfan 1,5 kW
8560	3009214		27	d92,974,975		Motorfan support
8565	3003119		27	d92,974,975		Pump rotor



14_101_e

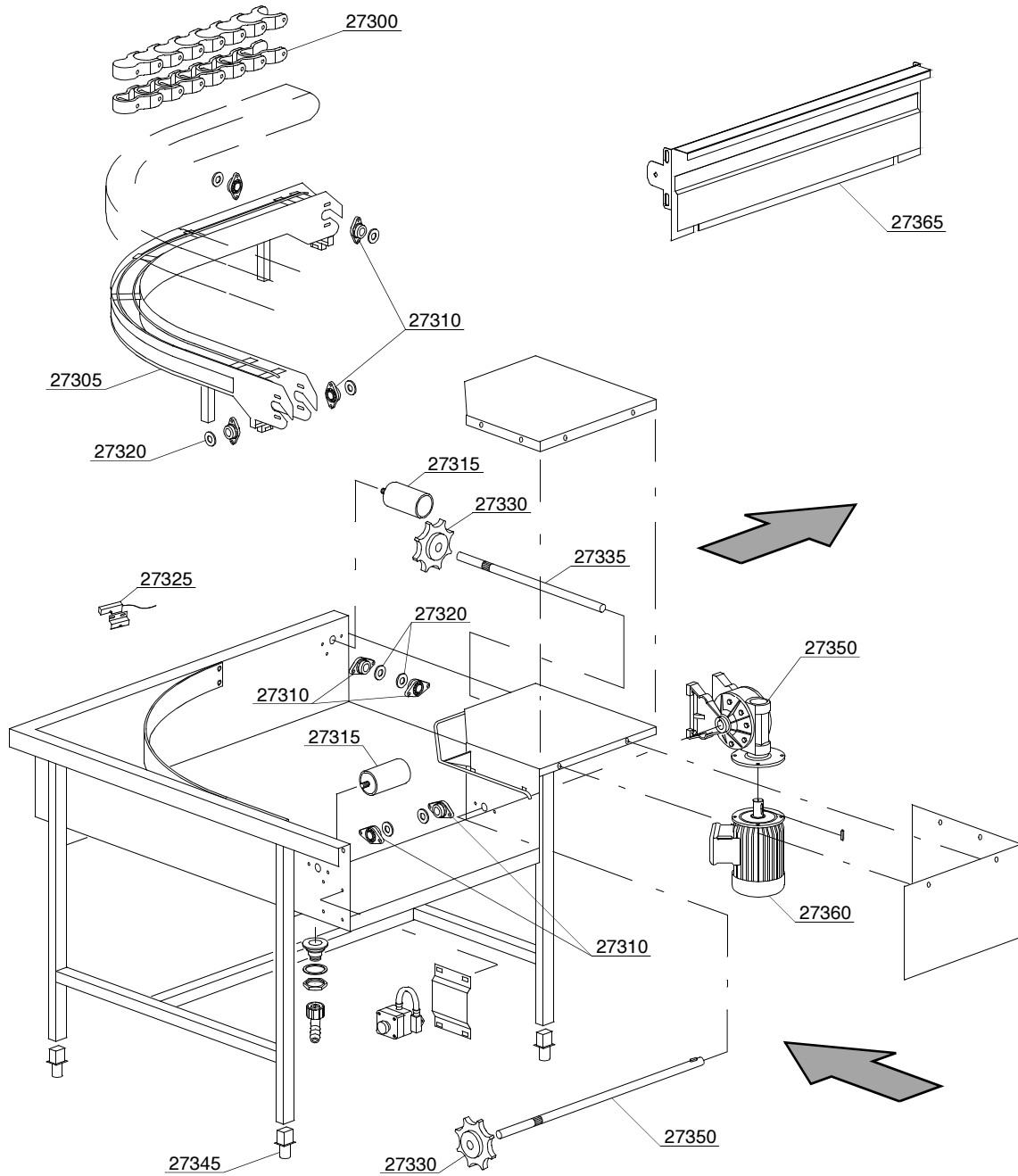
Spare parts

ID	P-code	Model	Type	Accessory	Voltage	Description
MODULE:Dryer LC 90/4 (18kW) - part 2						
23505	15105/A		27	d94		Thermostat knob
23510	3009104		27	d94		Thermostat support
23515	10707/2		27	d94		Thermostat with shaft 0 - 90°
23525	3000303		27	d94		Driving belt
23530	3009496		27	d94		Right heating element support
23530	3009497		27	d94		Left heating element support
23545	10200171		27	d94		Gasket FASIT 25x17x2
23550	2000359		27	d94		Drying heating element with nut
23555	3000114		27	d94	A	Motor 1,5 kW
23560	3009426		27	d94		Fan support
23565	3000302		27	d94		Fan
23570	3000304		27	d94		Belt pulley
23575	3000305		27	d94		Bush Ø 24mm
23580	3000306		27	d94		Bush Ø 25mm
23585	3009425		27	d94		Motor support
23590	---		27	d94		Bearing ISO 5757
N.B.: NO MORE MADE. AVAILABLE ONLY SPARE PARTS.						



Spare parts

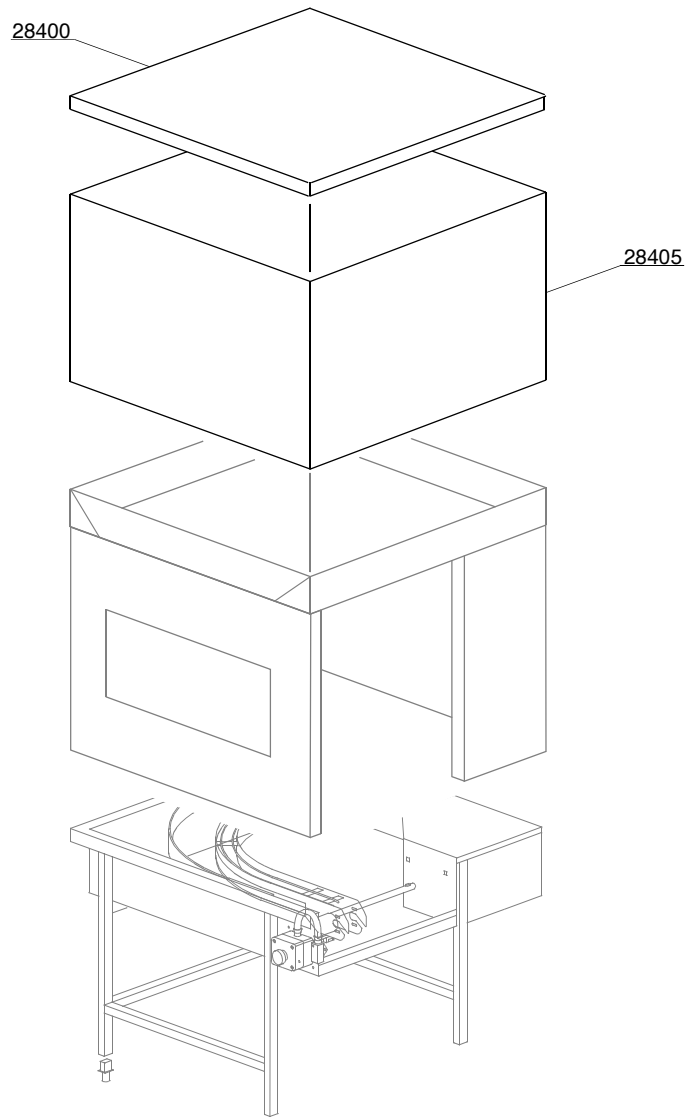
ID	P-code	Model	Type	Accessory	Voltage	Description
MODULE:Dryer LC 90 - LC 90/2 - LC 90/4 (6 - 12 - 18kW) - electric components						
29010	2000370		27	d9,d92,974,975,d94	A	Contactora MC9
29015	2000380		27	d9	A	Contactora BF12 (LC90 - 6kW)
29015	2000385		27	d92,974,975	A	Contactora BF20 (LC90/2 - 12kW)
29015	10300064		27	d94	A	Contactora BF32 (LC90/4 - 18kW)
29020	2000394		27	d9,d92	A	Motorprotector 2,5-4A (Motorfan 0,75 kW)
29020	2000400		27	d92,974,975	A	Motorprotector 4-6,3A (Motorfan 1,5 kW)
29020	2000400		27	d94	A	Motorprotector 4-6,3A (Motor 1,5 kW)
29025	2000403		27	d9	A	Automatic fuse C16 (LC90 - 6kW)
29025	2000404		27	d92,974,975	A	Automatic fuse C25 (LC90/2 - 12kW)
29025	2000409		27	d94	A	Automatic fuse C40 (LC90/4 - 18kW)
29030	3006080		27	d9,d92,974,975,d94	A	Auxiliary contact LMS25



15_001_e

Spare parts

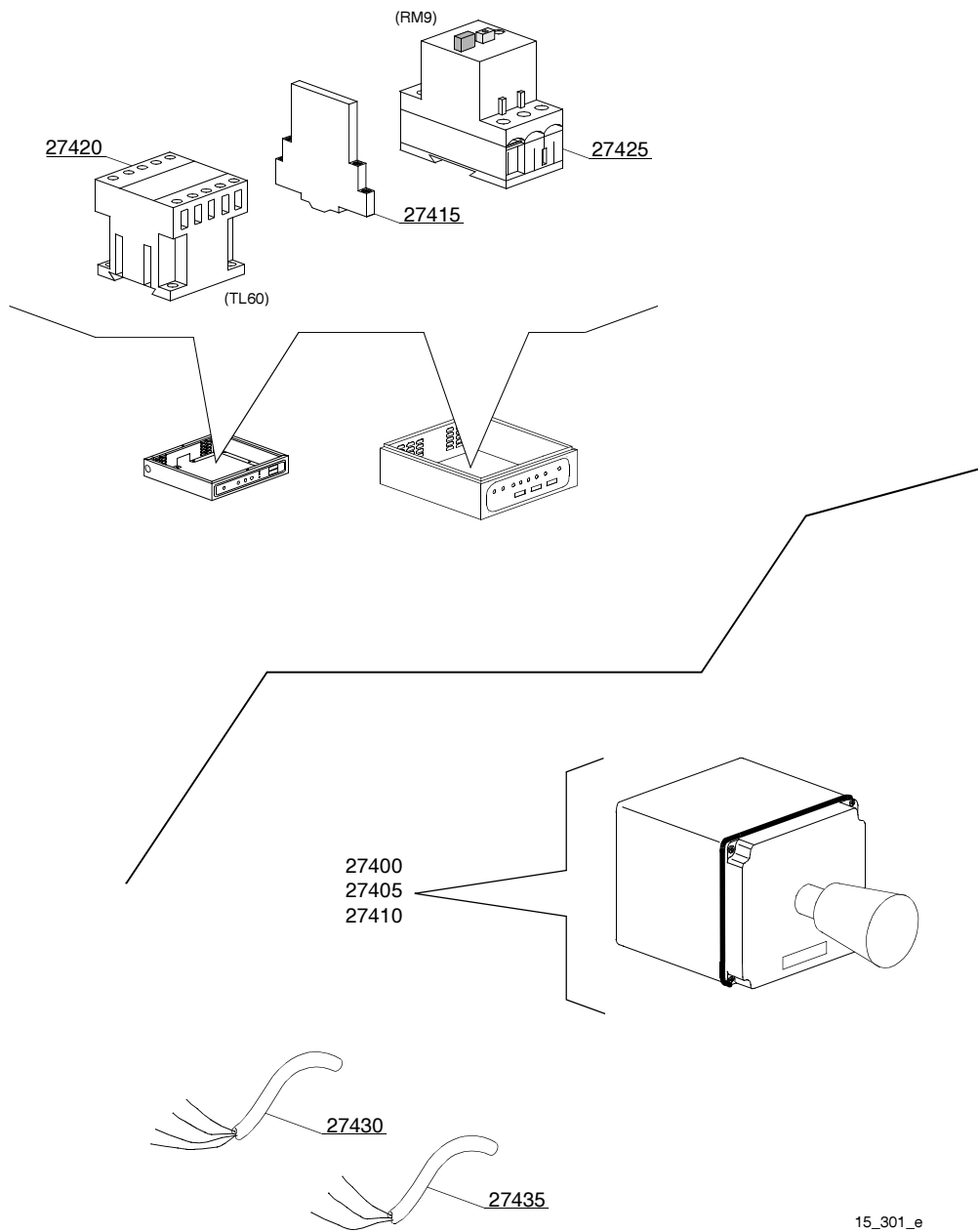
ID	P-code	Model	Type	Accessory	Voltage	Description
MODULE:Motorized curve 90° - LC 97/2						
27300	3000259		27	972,974		Chain for roller
27305	3003057		27	972,974		Kit guide for chain
27310	3000260		27	972,974		Flange for chain
27315	3000262		27	972,974		Ø50x80 embossment roller
27320	3003048		27	972,974		Spacer for bearings
27325	3003112		27	972,974		Door microswitch
27330	3000261		27	972,974		8 teeth pinion
27335	3003050		27	972,974		Neutral shaft for chain
27345	3000252		27	972,974		Adjustable food
27350	3003047		27	972,974		Shaft for chain rotation
27350	3000250		27	972,974		Gear left 1:70
27360	3000110		27	972,974	A	Conveyor motor
27360	3000109		27	972,974		Conveyor motor
27360	3000251		27	972,974	A	Conveyor motor



15_101_e

Spare parts

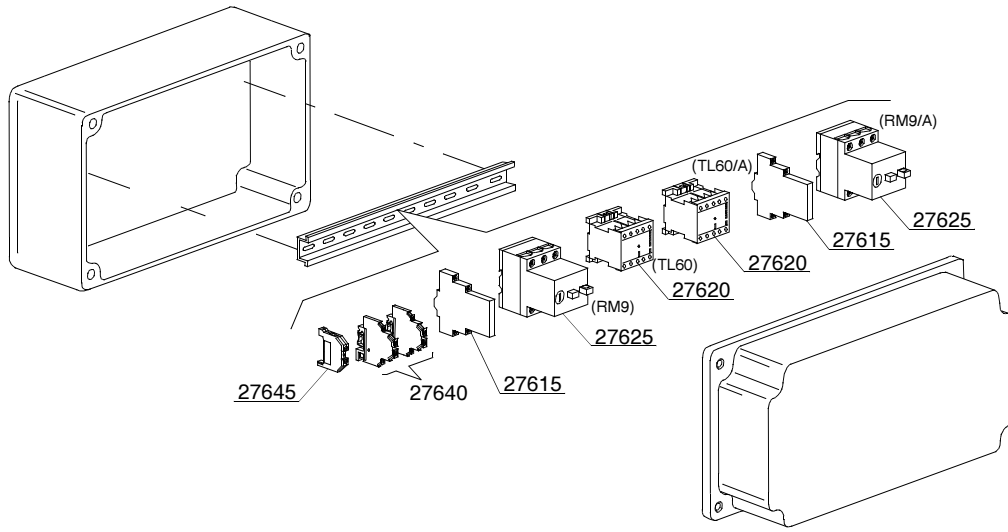
ID	P-code	Model	Type	Accessory	Voltage	Description
MODULE:Dryer motorized curve 90° - LC 97/4						
28400	3009326		27	974		Cover panel
28405	3009511		27	974		Carter



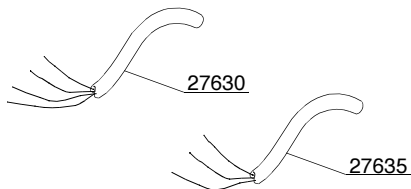
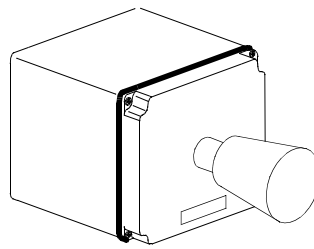
15_301_e

Spare parts

ID	P-code	Model	Type	Accessory	Voltage	Description
MODULE:Motorized curve 90° - LC 97/2: electric parts						
27400	3000264		27	972,974		Emergency box
27405	3000263		27	972,974		Emergency switch
27410	3002059		27	972,974		1R contact
27415	3006080		27	972,974		Auxiliary contact LMS25
27420	2000370		27	972,974		Contactora MC9
27425	2000390		27	972,974		Motorprotector 1 - 1.6A
27430	3006134		27	972,974		Flame-retardant cable 4x1,5mm
27435	3006136		27	972,974		Flame-retardant cable 3x1mm



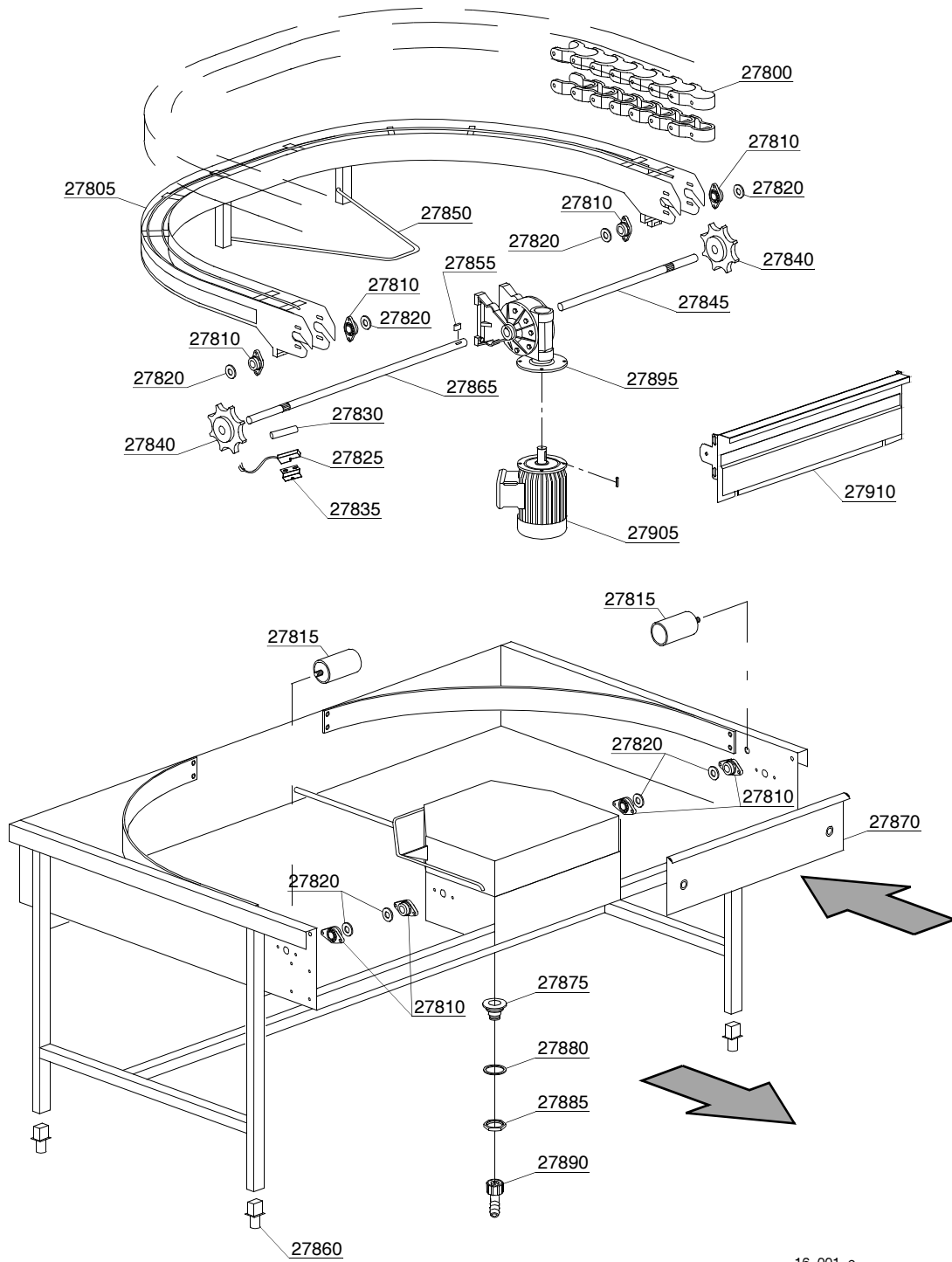
27600
27605
27610



15_303_e

Spare parts

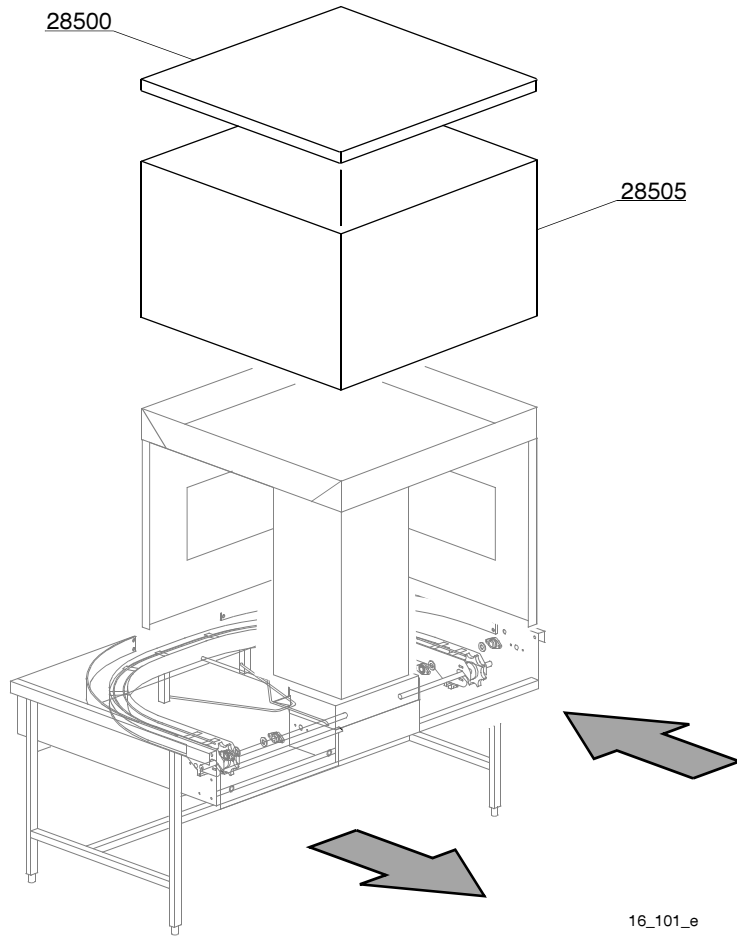
ID	P-code	Model	Type	Accessory	Voltage	Description
MODULE:Motorized curve 90° - LC 97/2: electric parts double speed - remote control						
27600	3000264		27	972,974		Emergency box
27605	3000263		27	972,974		Emergency switch
27610	3002059		27	972,974		1R contact
27615	3006080		27	972,974		Auxiliary contact LMS25
27620	2000370		27	972,974		Contacto MC9
27625	2000390		27	972,974		Motorprotector 1 - 1.6A
27630	3006134		27	972,974		Flame-retardant cable 4x1,5mm
27635	3006136		27	972,974		Flame-retardant cable 3x1mm
27640	3006092		27	972,974		Clamp 4mm
27645	10300401		27	972,974		Earth clamp 4mm



16_001_e

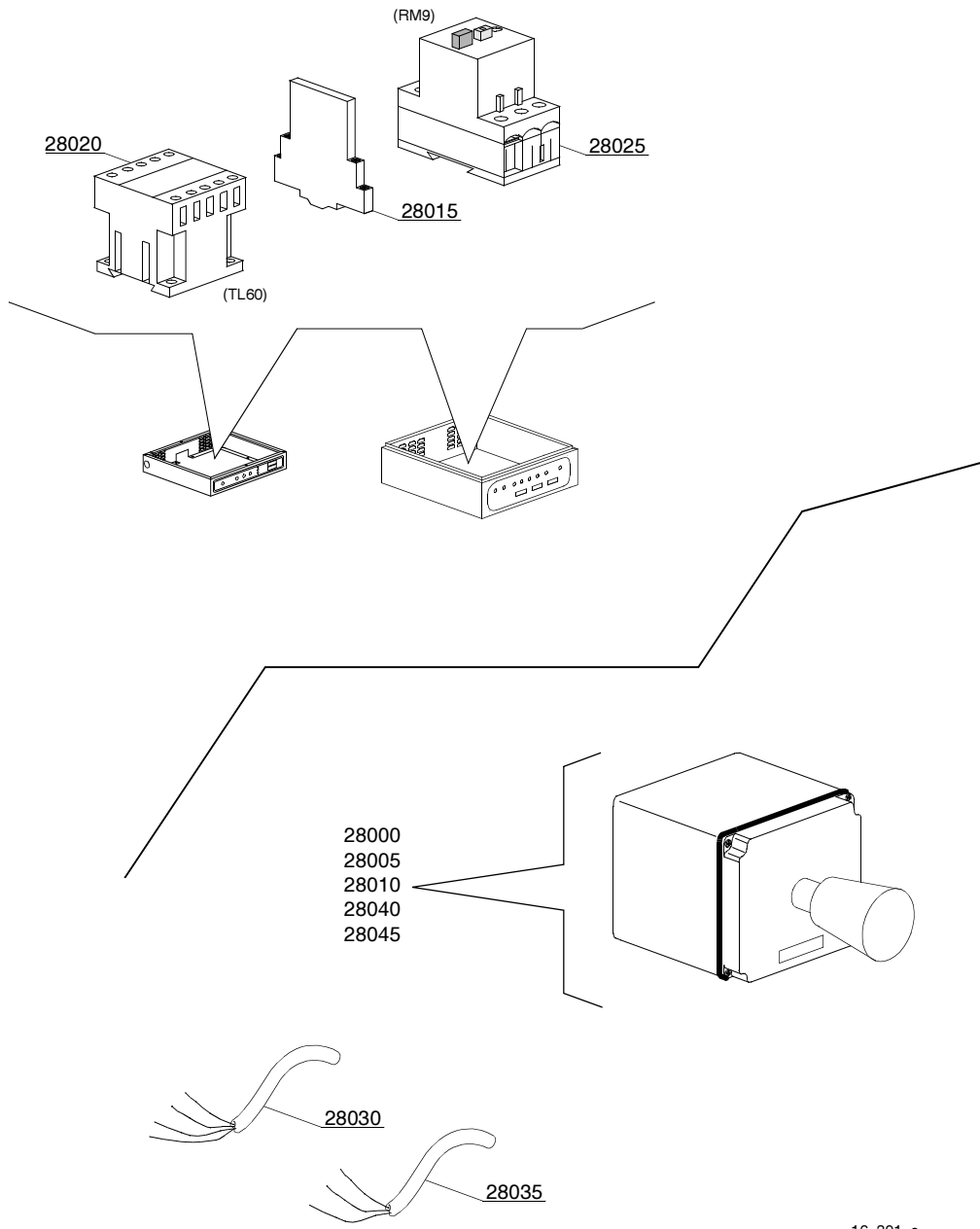
Spare parts

ID	P-code	Model	Type	Accessory	Voltage	Description
MODULE:Motorized curve 180° - LC 97/3						
27800	3000259		27	973,975		Chain for roller
27805	3003056		27	973,975		Kit guide for chain
27810	3000260		27	973,975		Flange for chain
27815	3000262		27	973,975		Ø50x80 embossment roller
27820	3003048		27	973,975		Spacer for bearings
27825	3003112		27	973,975		Door microswitch
27830	80232		27	973,975		Magnet for reed
27835	3009112		27	973,975		Holder for reed micro door
27840	3000261		27	973,975		8 teeth pinion
27845	3003051		27	973,975		Neutral shaft for chain
27850	3003053		27	973,975		Lifting arm for chain guide
27855	2001045		27	973,975		6x6x25 machine key
27860	3000252		27	973,975		Adjustable food
27865	3003047		27	973,975		Shaft for chain rotation
27870	3009609		27	973,975		Protection panel
27875	10200113		27	973,975		Floor drain
27880	10200173		27	973,975		75x58x2 gasket
27885	10200114		27	973,975		Drain floor nut
27890	15613		27	973,975		"1" 1/4x30 nylon elbow"
27905	3000251		27	973,975	A	Conveyor motor



Spare parts

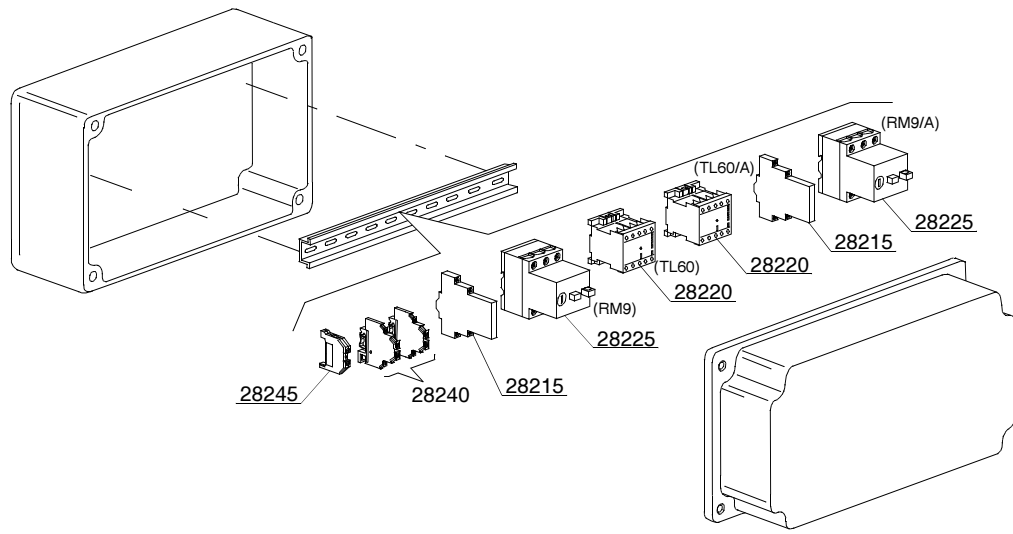
ID	P-code	Model	Type	Accessory	Voltage	Description
MODULE: Dryer motorized curve 180° - LC 97/5						
28500	3009326		27	975		Cover panel
28505	3009511		27	975		Carter



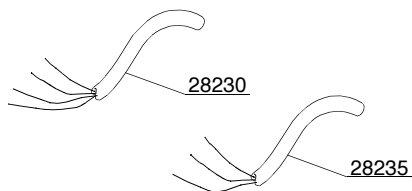
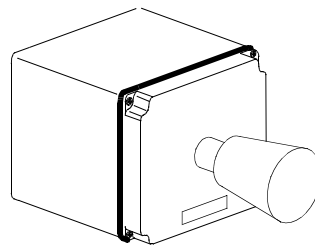
16_301_e

Spare parts

ID	P-code	Model	Type	Accessory	Voltage	Description
MODULE:Motorized curve 180° - LC 97/3: electric parts						
28000	3000264		27	973,975		Emergency box
28005	3000263		27	973,975		Emergency switch
28010	3002059		27	973,975		1R contact
28015	3006080		27	973,975		Auxiliary contact LMS25
28020	2000370		27	973,975		Contactora MC9
28025	2000390		27	973,975		Motorprotector 1 - 1.6A
28030	3006134		27	973,975		Flame-retardant cable 4x1,5mm
28035	3006136		27	973,975		Flame-retardant cable 3x1mm
28040	3000266		27	973,975		Male connector with support
28045	3000267		27	973,975		Female connector with support



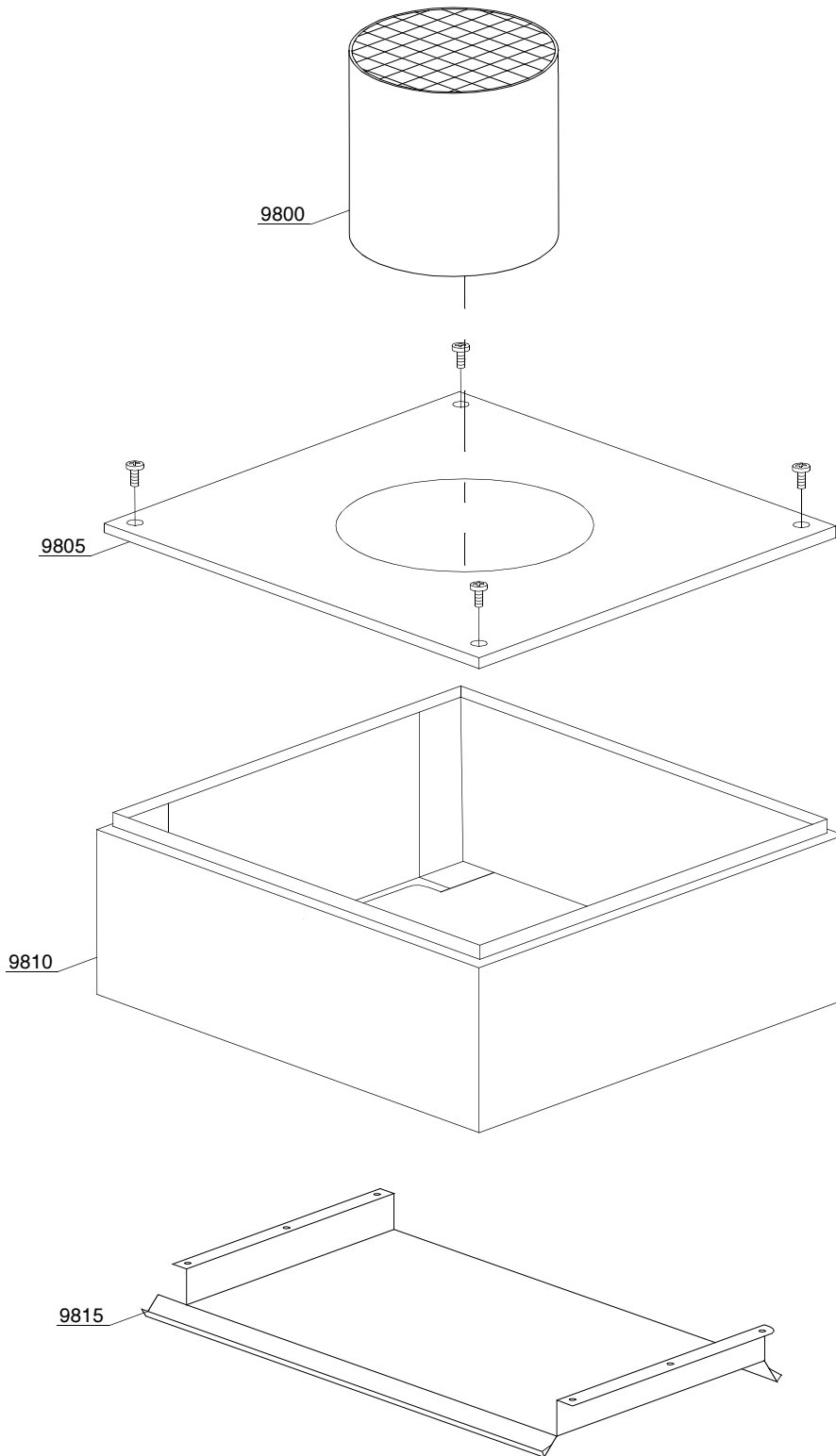
- 28200
- 28205
- 28210
- 28250
- 28255



16_303_e

Spare parts

ID	P-code	Model	Type	Accessory	Voltage	Description
MODULE:Motorized curve 180° - LC 97/3: electric parts double speed - remote control						
28200	3000264		27	973,975		Emergency box
28205	3000263		27	973,975		Emergency switch
28210	3002059		27	973,975		1R contact
28215	3006080		27	973,975		Auxiliary contact LMS25
28220	2000370		27	973,975		Contactora MC9
28225	2000390		27	973,975		Motorprotector 1 - 1.6A
28230	3006134		27	973,975		Flame-retardant cable 4x1,5mm
28235	3006136		27	973,975		Flame-retardant cable 3x1mm
28240	3006092		27	973,975		Clamp 4mm
28245	10300401		27	973,975		Earth clamp 4mm
28250	3000266		27	973,975		Male connector with support
28255	3000267		27	973,975		Female connector with support

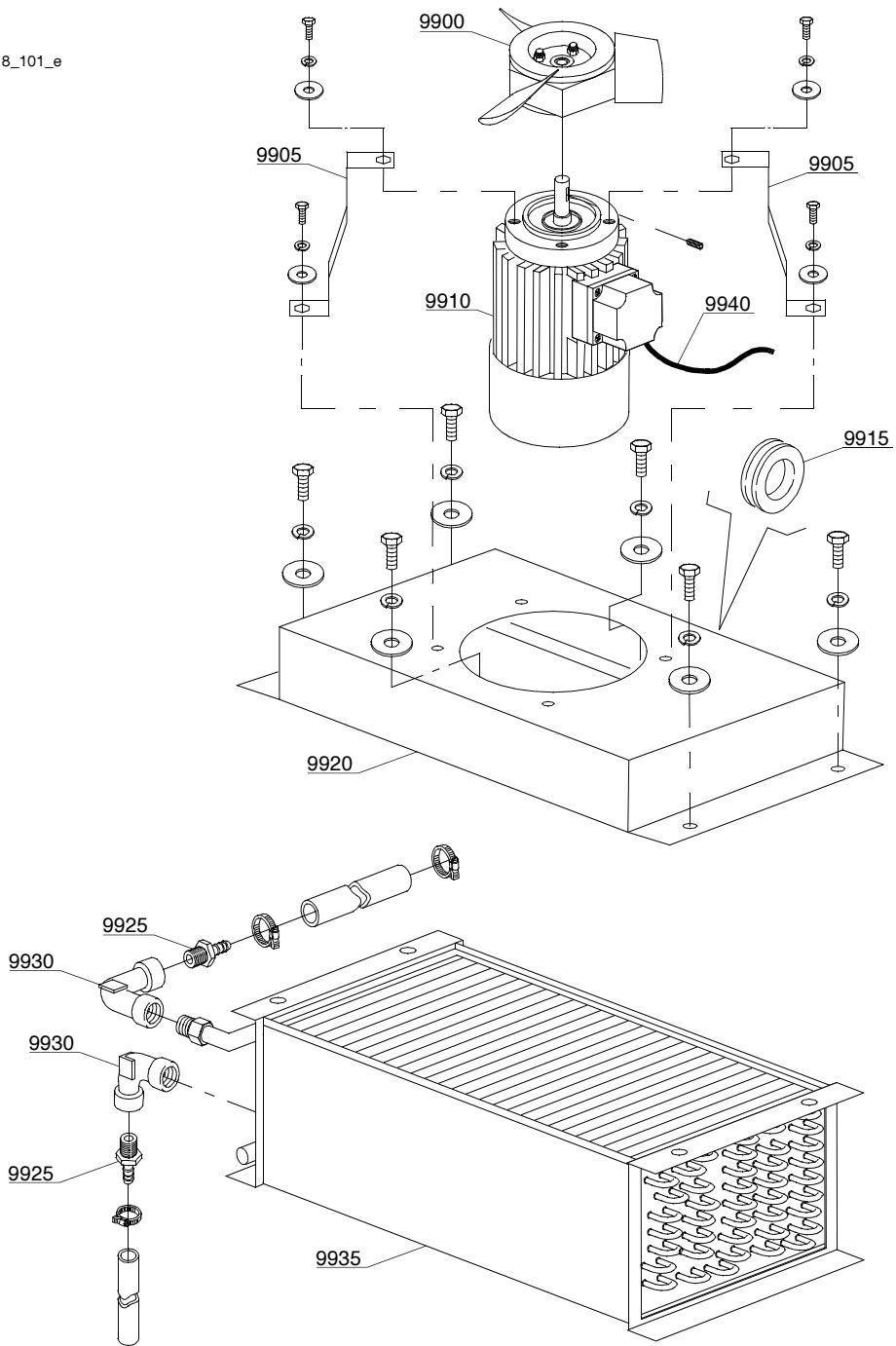


18_001_e

Spare parts

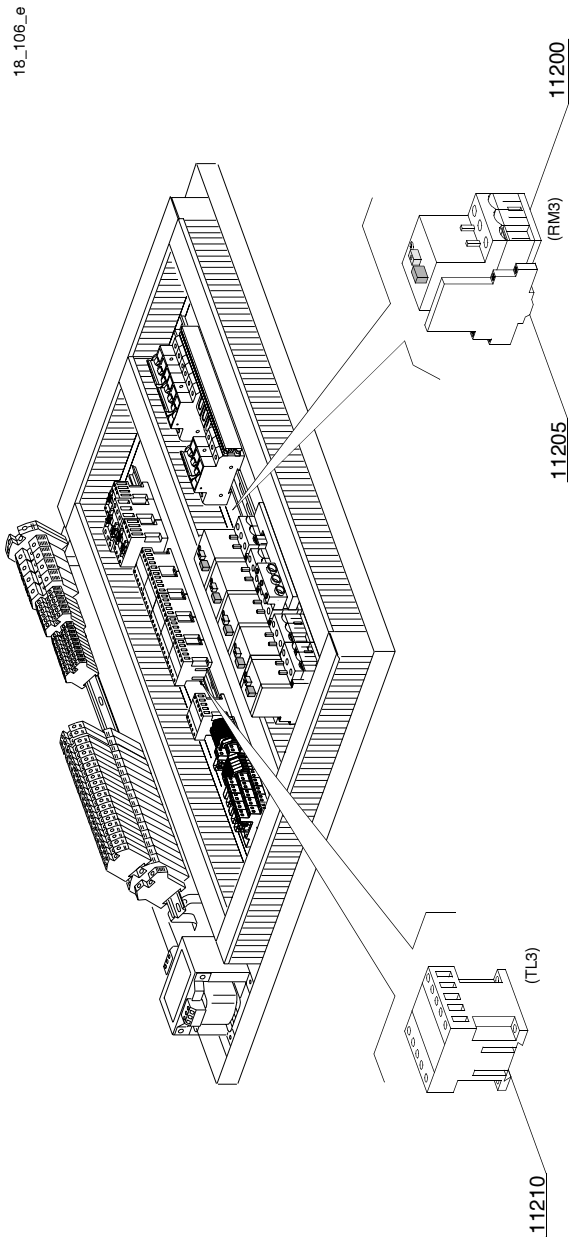
ID	P-code	Model	Type	Accessory	Voltage	Description
MODULE:Steam condenser - part 1						
9800	3009499		27	sc9		Chimney
9805	3009306		27	sc9		Cover with hole
9810	3009502		27	sc9		Complete body
9815	3009090		27	sc9		Suction group

18_101_e



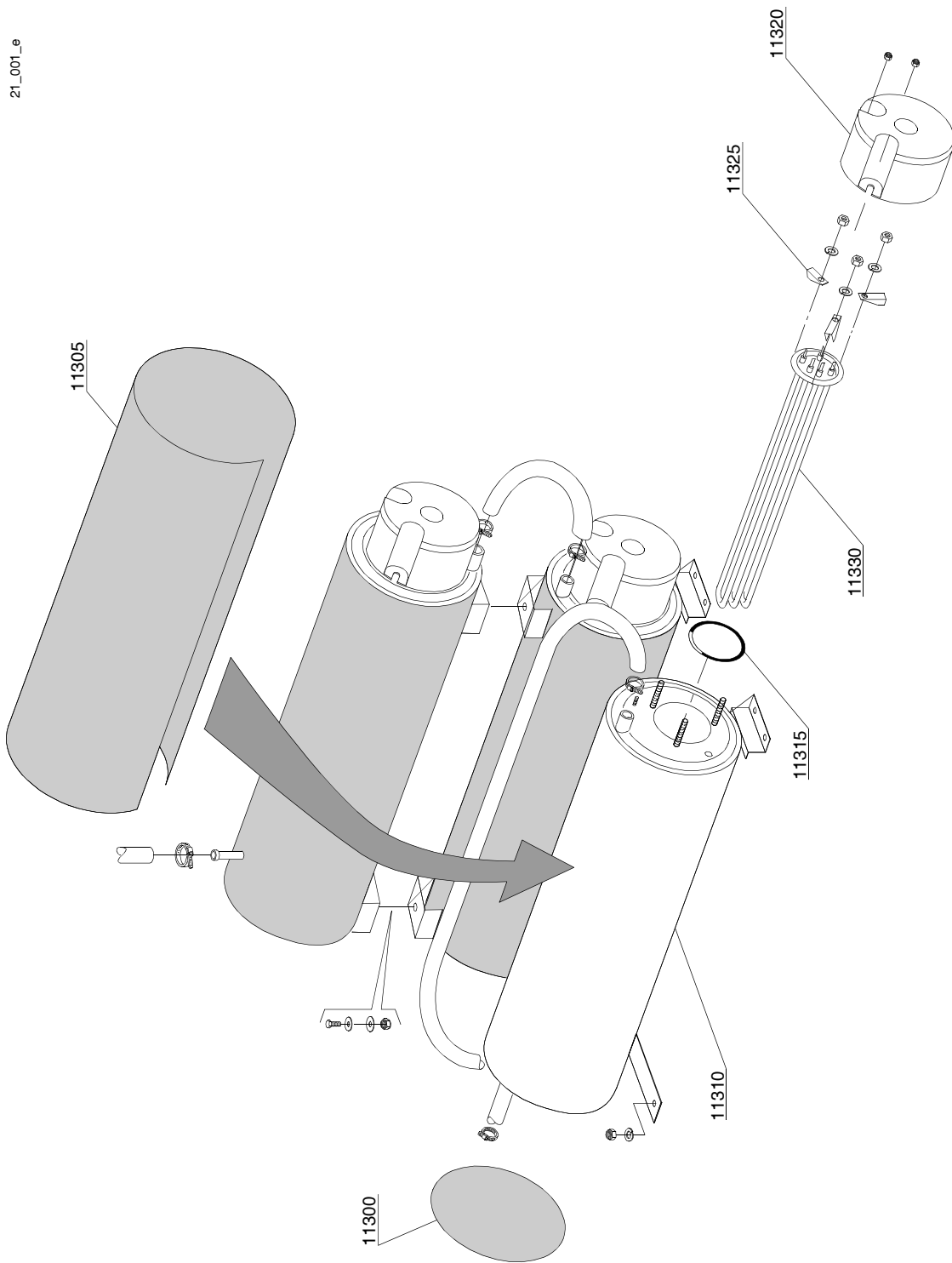
Spare parts

ID	P-code	Model	Type	Accessory	Voltage	Description
MODULE:Steam condenser - part 2						
9900	3000125		27	sc9		Impeller fan
9905	3009106		27	sc9		Motor holder
9910	3000120		27	sc9	A	Motor 0.18KW
9915	13329		27	sc9		Fairlead
9920	3009079		27	sc9		Steam condenser base
9925	12023		27	sc9		Hose holder
9930	3002139		27	sc9		Elbow
9935	3000155		27	sc9		Heating recovery battery
9940	15184		27	sc9		Cable



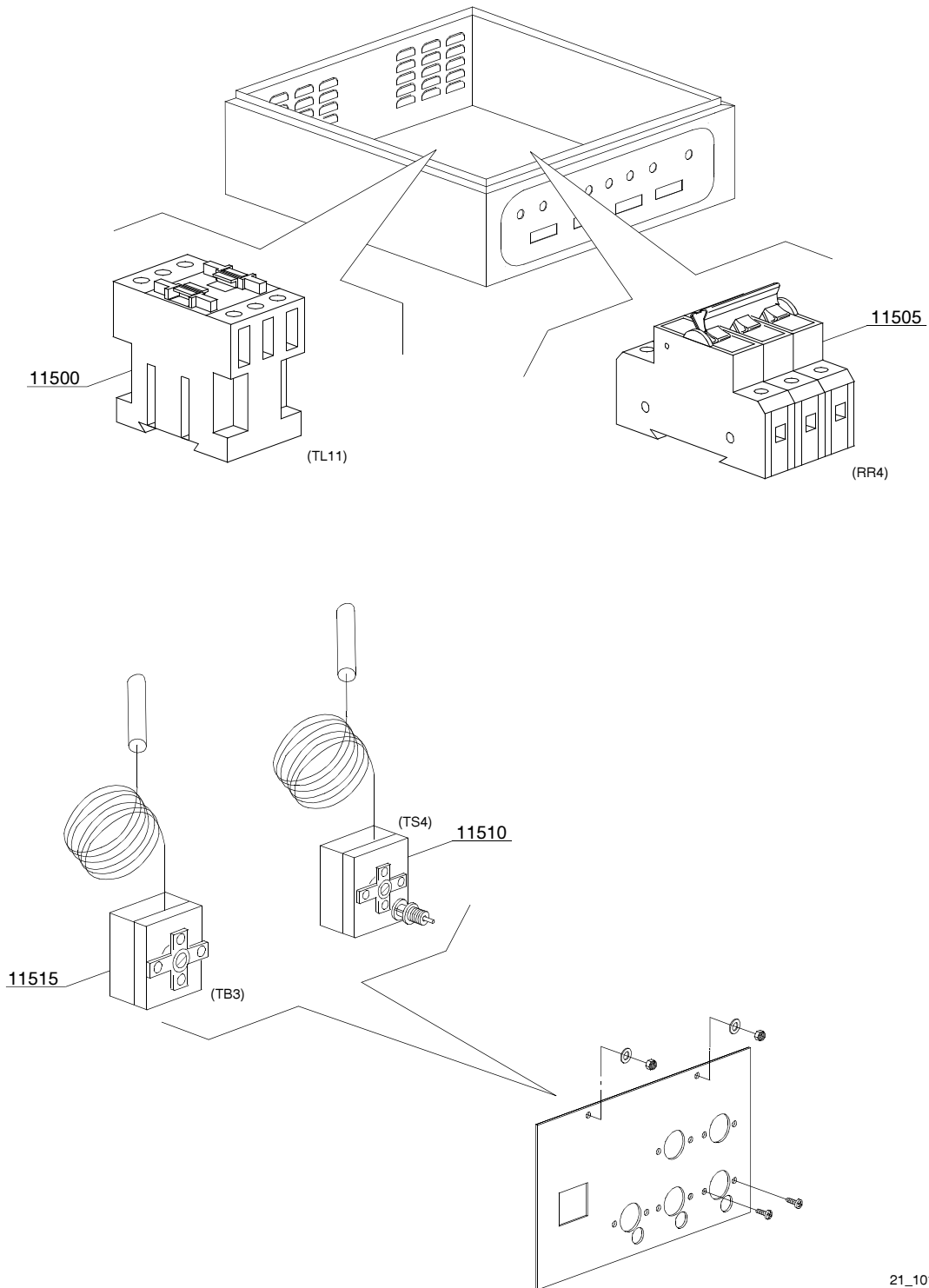
Spare parts

ID	P-code	Model	Type	Accessory	Voltage	Description
MODULE:Steam condenser - part 3						
11200	2000390		27	sc9	A	Motorprotector 1 - 1.6A
11205	3006080		27	sc9	A	Auxiliary contact LMS25
11210	2000370		27	sc9	A	Contactore MC9



Spare parts

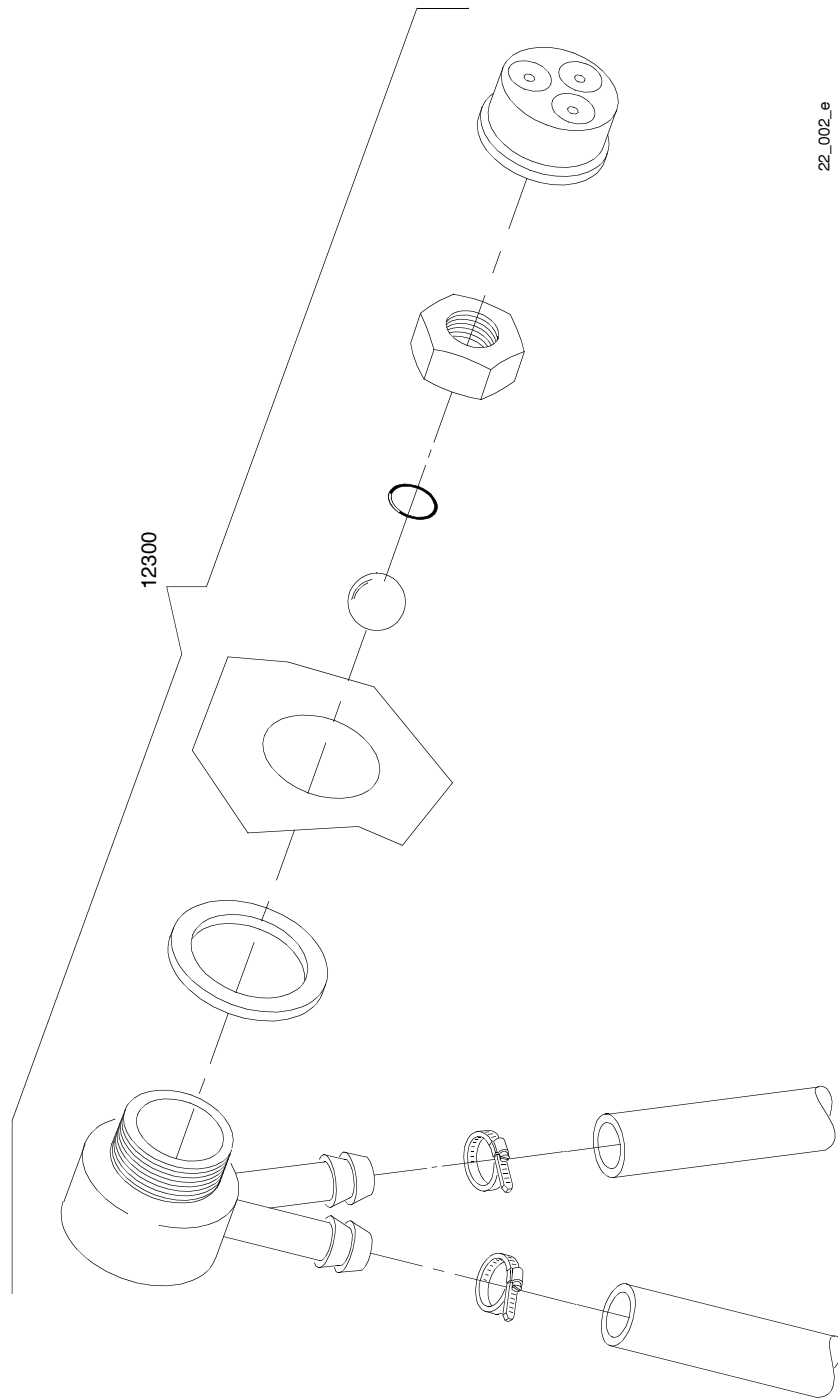
ID	P-code	Model	Type	Accessory	Voltage	Description
MODULE:Additional boiler components						
11300	75205		27	cw		Bottom boiler insulating
11305	30002030		27	cw		Boiler insulating
11310	3007012		27	cw		Boiler
11315	13015		27	cw		O-ring 160 (6225)
11320	75311		27	cw		Heating element cover
11325	16045		27	cw		Heating element support Ø6,3
11330	30001010		27	cw	A	Heating element 6kW
11330	30001011		27	cw	A	Heating element 9kW
11330	30001011/A		27	cw	A	Heating element 12kW
11330	30001011/B		27	cw	A	Heating element 14kW



21_101_ε

Spare parts

ID	P-code	Model	Type	Accessory	Voltage	Description
MODULE:Additional boiler: electrical components						
11500	2000380		27	cw	A	Contactactor BF12 (heating element < 9 kW)
11500	2000385		27	cw	A	Contactactor BF20 (heating element > 9 kW)
11505	2000403		27	cw	A	Automatic fuse C20 (heating element < 9 kW)
11505	2000404		27	cw	A	Automatic fuse C25 (heating element > 9 kW)
11510	2000430		27	cw		Safety thermostat
11515	10707/1		27	cw		Thermostat 0 - 90° (TB2)

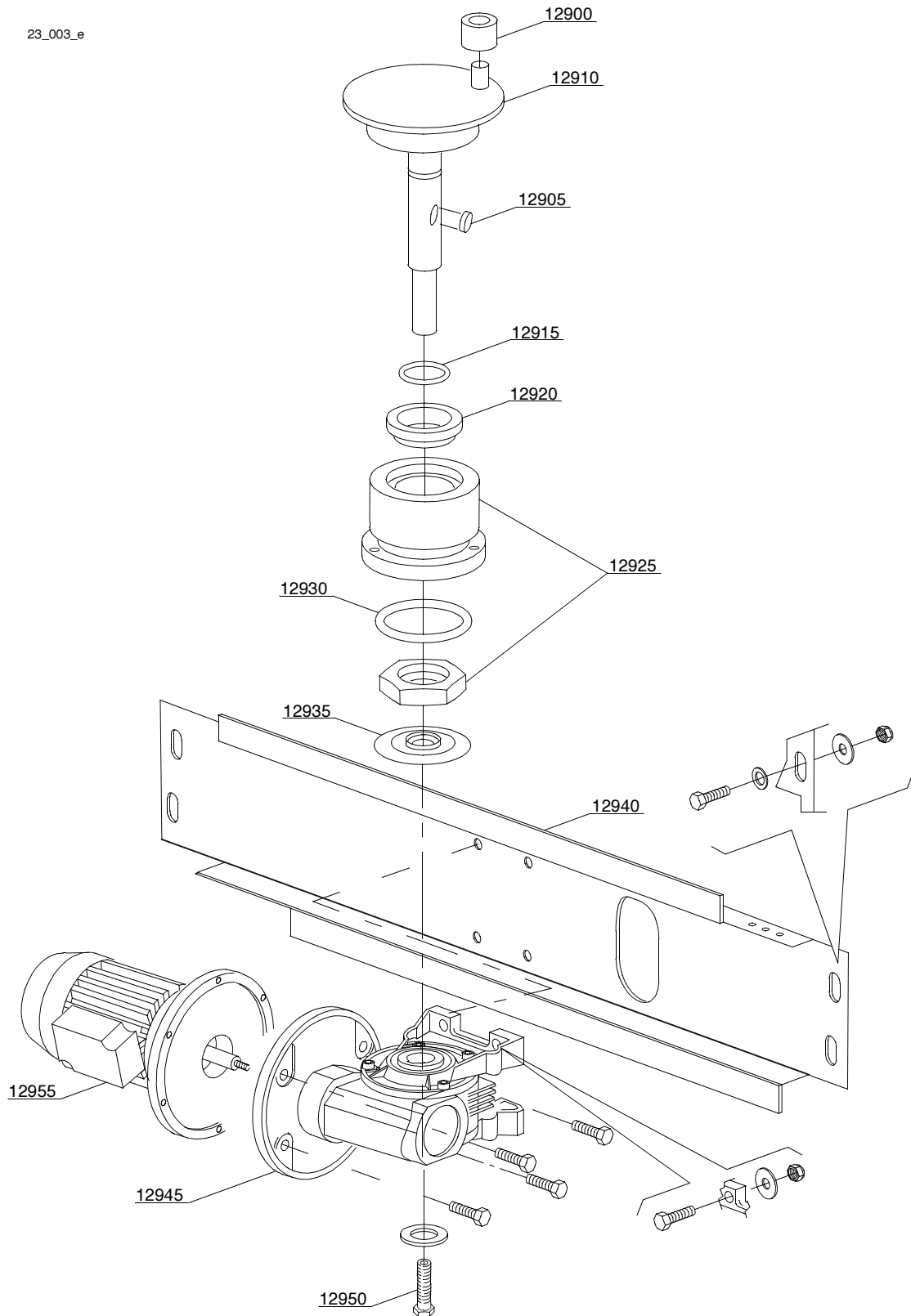


22_002_e

Spare parts

ID	P-code	Model	Type	Accessory	Voltage	Description
MODULE:DVGW valve						
12300	999900006		27	dvgw		DVGW valvola assembly

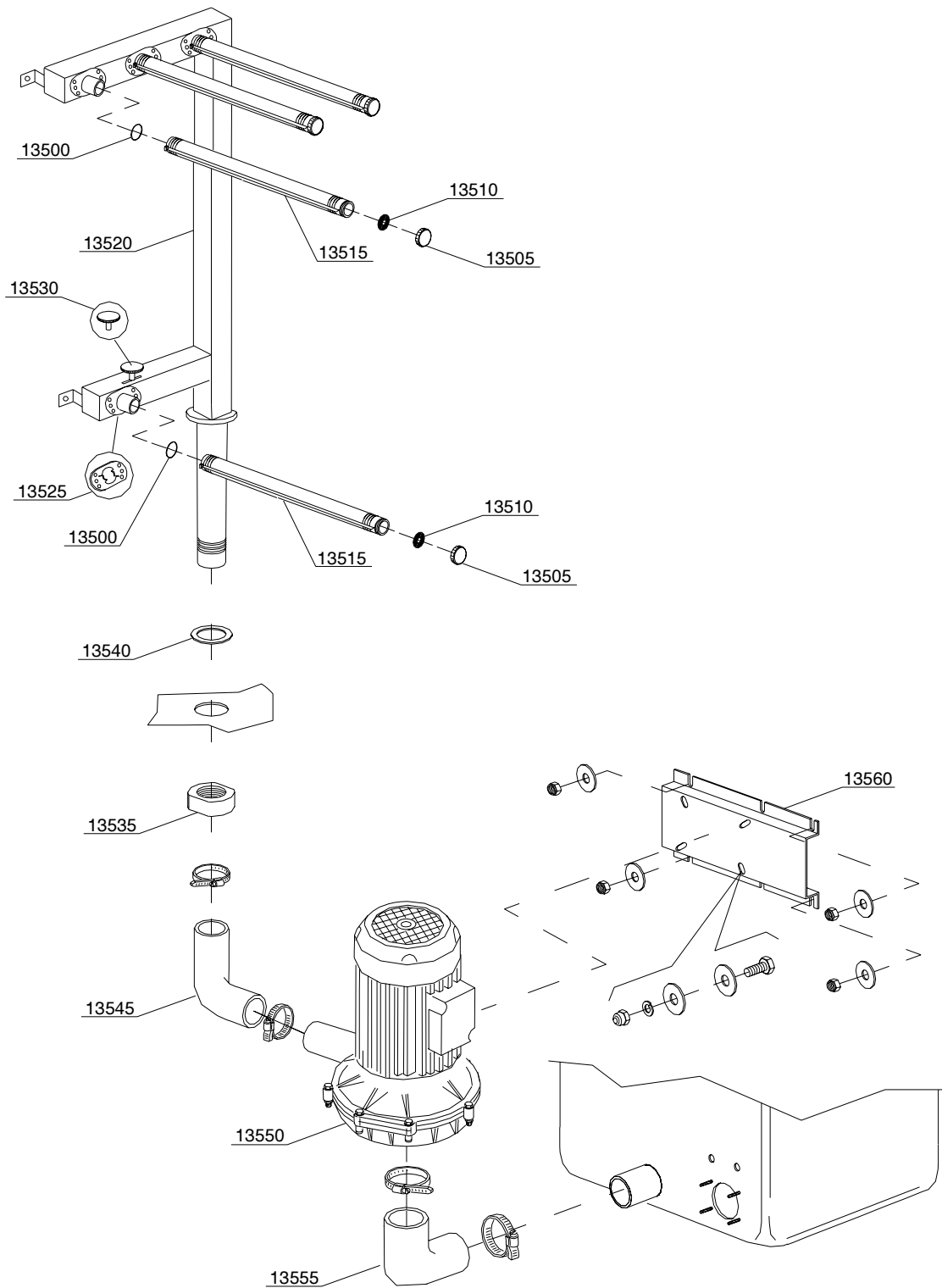
23_003_e



Spare parts

ID	P-code	Model	Type	Accessory	Voltage	Description
MODULE:Motorgear components module 900						
12900	3003012		27			Conveyor roller
12905	2001046		27			Key
12910	3003116		27			Crank shaft
12915	13023		27			O-ring 131 (4093)
12920	13024		27			Oil splash guard DEM 40 TC 30x42x7 with spring
12925	3004131		27			Coupling part serie
12930	13015		27			O-ring 160 (6225)
12935	3004161		27			Protection disk
12940	3009149		27			Motorgear support
12945	3000216		27			Gear right 1:36
12945	3000217		27			Gear left 1:36
12950	11165		27			Screw
12955	3000110		27		A	Conveyor motor
12955	3000109		27			Conveyor motor

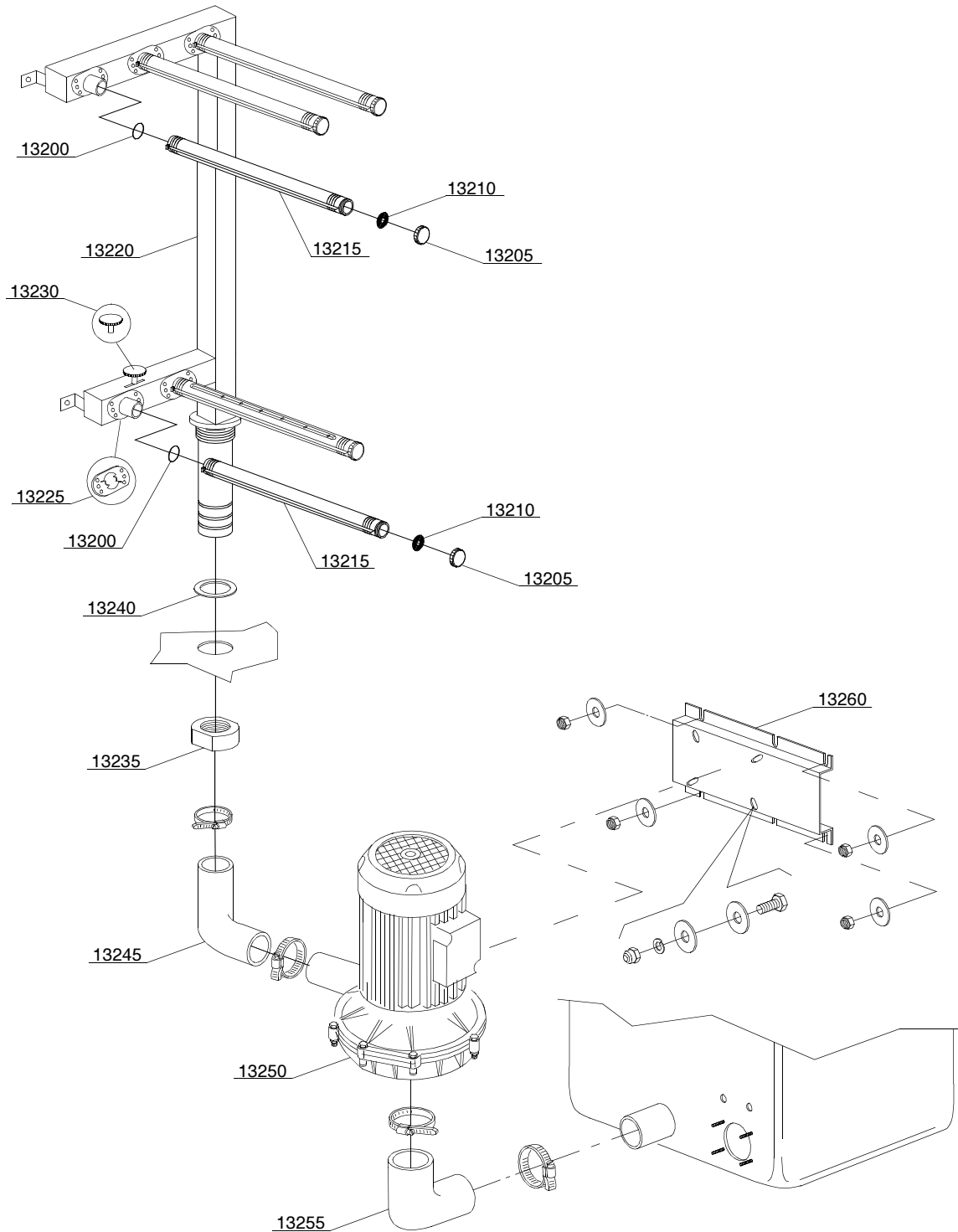
24_002_e



Spare parts

ID	P-code	Model	Type	Accessory	Voltage	Description
MODULE:Prewashing components 3+1						
13500	13023		27			O-ring 131 (4093)
13505	80304		27			Arm plug
13510	80305		27			Gasket
13515	3004147		27			Wash arm
13520	3004151		27			Right wash ramp
13520	3004152		27			Left wash ramp
13525	3004148		27			Arm connection flange
13530	3004146		27			Water flow adjuster
13535	10600012		27			Flat nut
13540	10200173/A		27			Gasket 75x58x3
13545	3004025		27			Elbow coupling press.
13550	3000082		27		A	Pump 0.9kW
13550	3000083		27		H	Pump 0.9kW - 60Hz
13555	3002020		27			Suction elbow coupling
13560	3009148		27			Pump support

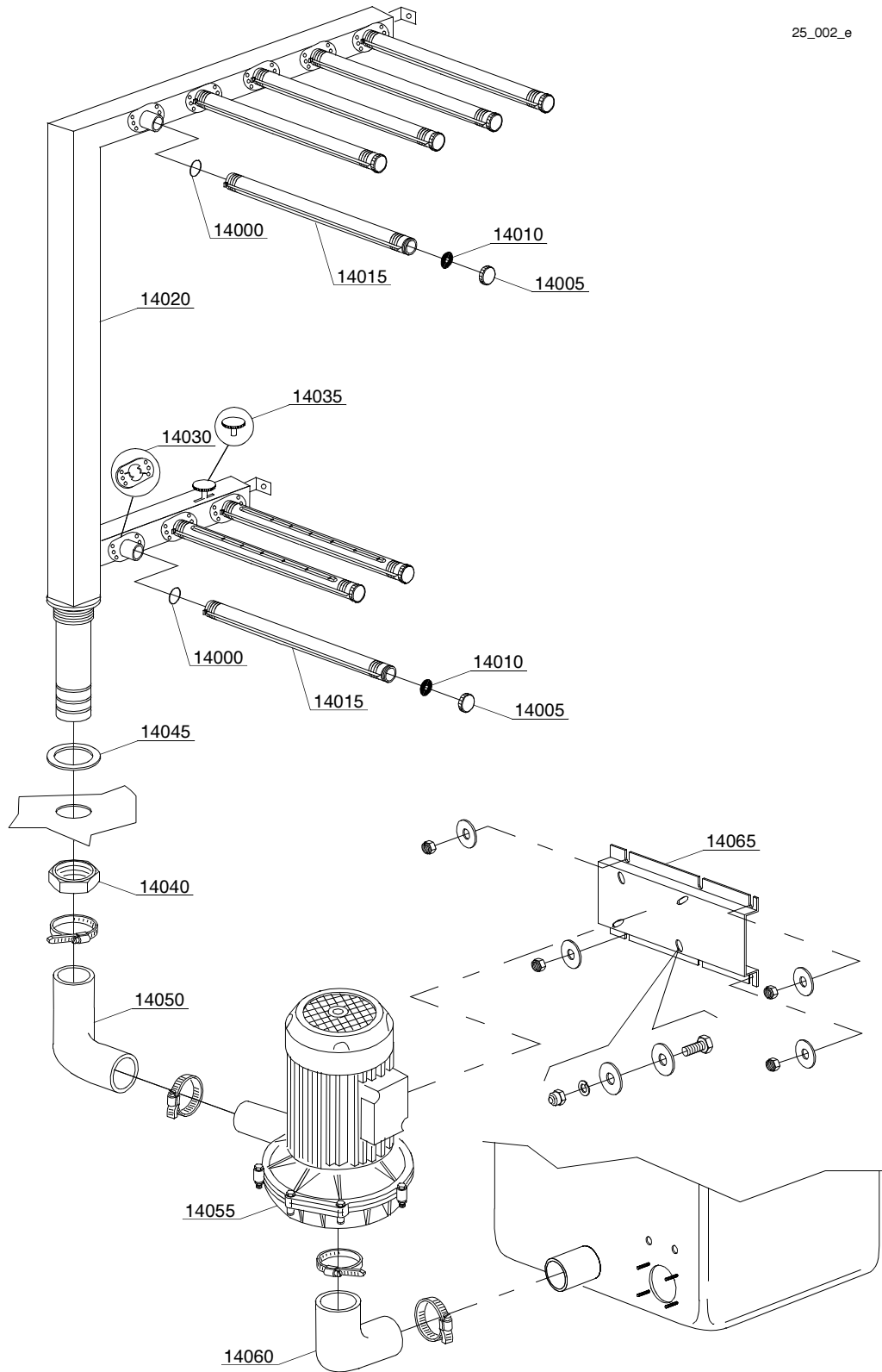
24_001_e



Spare parts

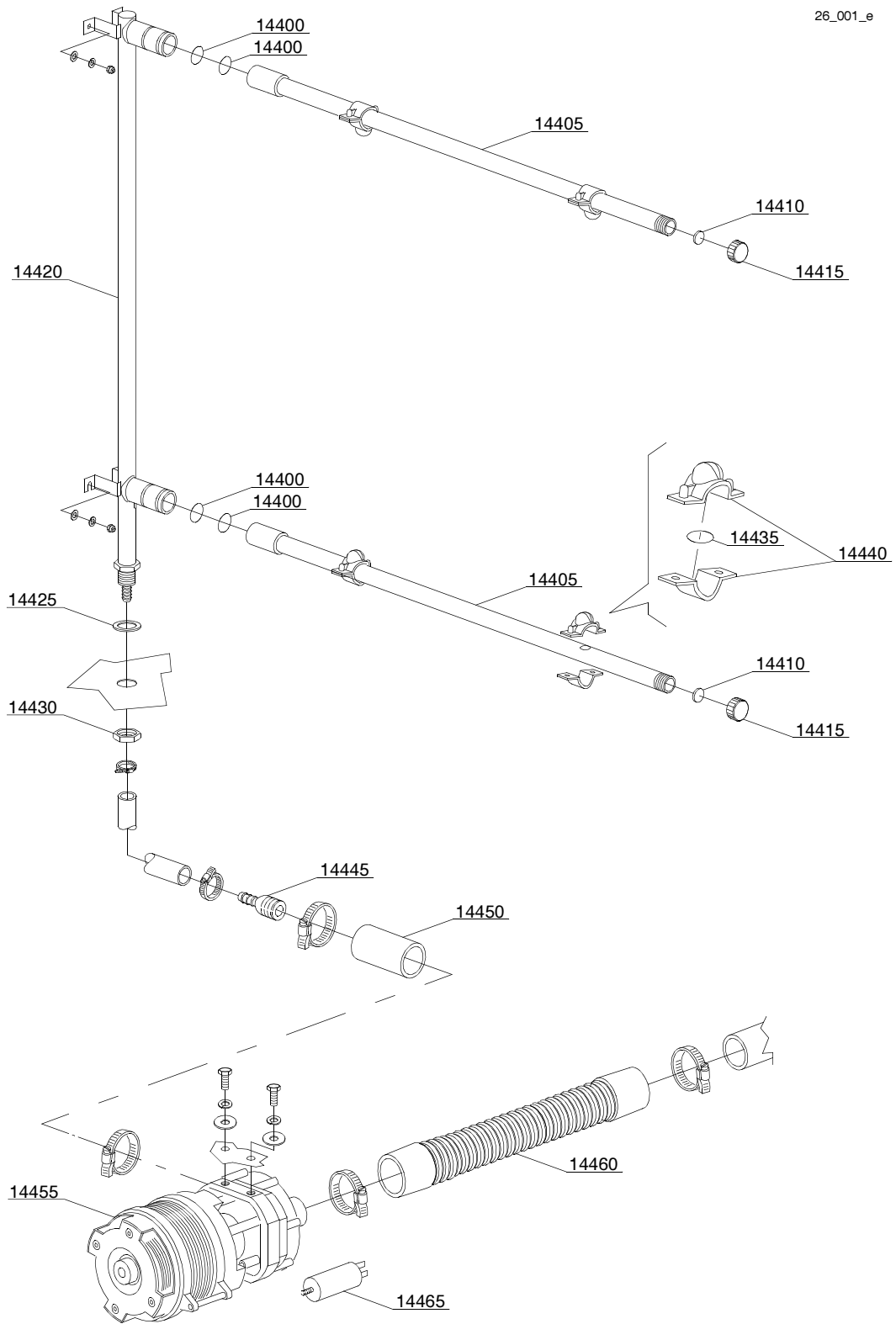
ID	P-code	Model	Type	Accessory	Voltage	Description
MODULE:Prewashing components 3+2						
13200	13023		27			O-ring 131 (4093)
13205	80304		27			Arm plug
13210	80305		27			Gasket
13215	3004147		27			Wash arm
13220	3004144		27			Right prewash ramp
13220	3004145		27			Left prewash ramp
13225	3004148		27			Arm connection flange
13230	3004146		27			Water flow adjuster
13235	10600012		27			Flat nut
13240	10200173/A		27			Gasket 75x58x3
13245	3004025		27			Elbow coupling press.
13250	3000082		27		A	Pump 0.9kW
13250	3000083		27		H	Pump 0.9kW - 60Hz
13255	3002020		27			Suction elbow coupling
13260	3009148		27			Pump support

25_002_e



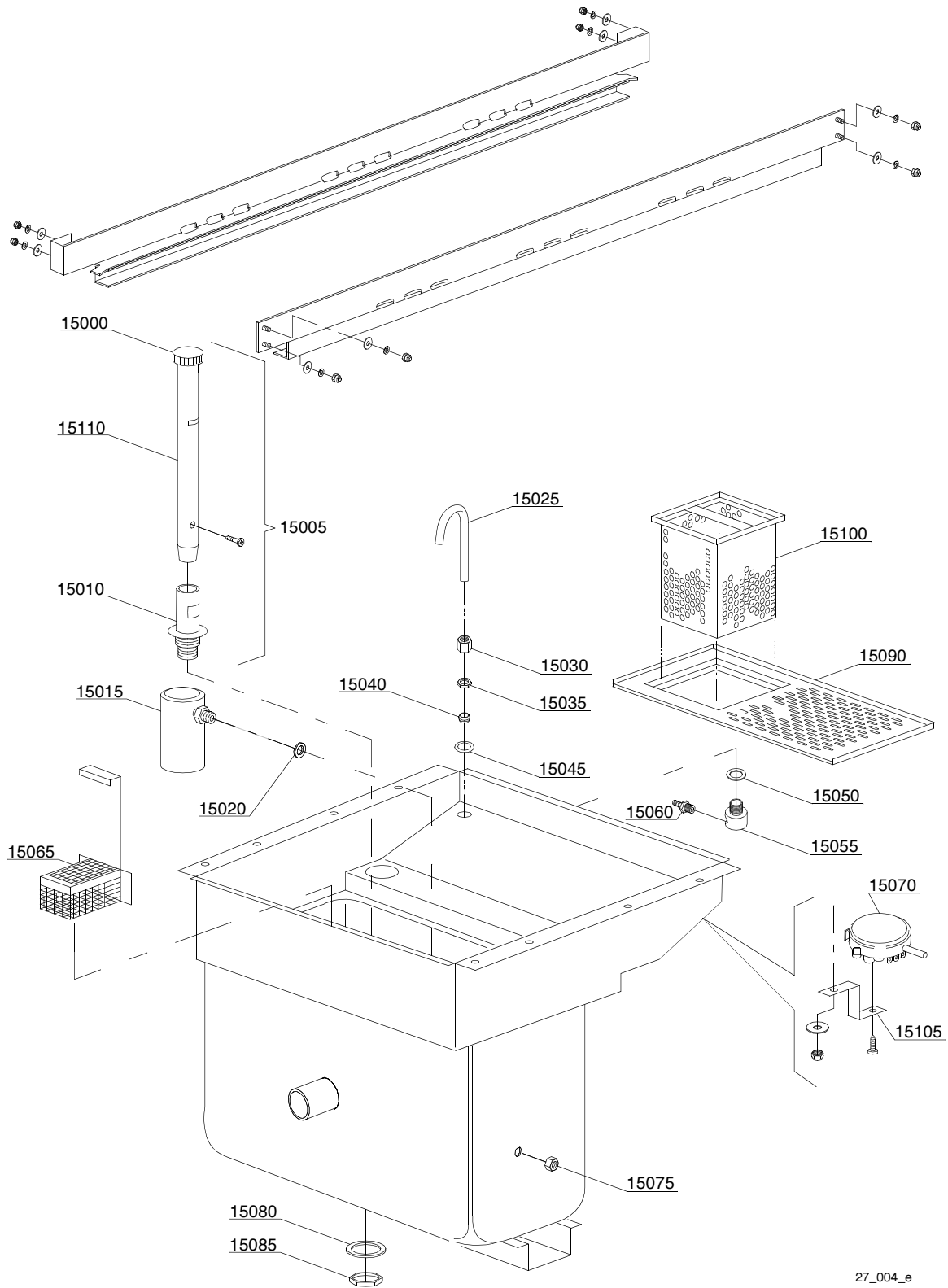
Spare parts

ID	P-code	Model	Type	Accessory	Voltage	Description
MODULE:Washing components 5+3						
14000	13023		27			O-ring 131 (4093)
14005	80304		27			Arm plug
14010	80305		27			Gasket
14015	3004147		27			Wash arm
14020	3004142		27			Right wash ramp
14020	3004143		27			Left wash ramp
14030	3004148		27			Arm connection flange
14035	3004146		27			Water flow adjuster
14040	10600012		27			Flat nut
14045	10200173/A		27			Gasket 75x58x3
14050	3004025		27			Elbow coupling press.
14055	88106		27		A	Pump 2 kW
14055	88106/B		27		H	Pump 2 kW - 220/380-415 V 60Hz
14055	88106/E		27			Pump 2 kW - 240/415 V 50Hz
14060	3002020		27			Suction elbow coupling
14065	3009113		27			Pump support



Spare parts

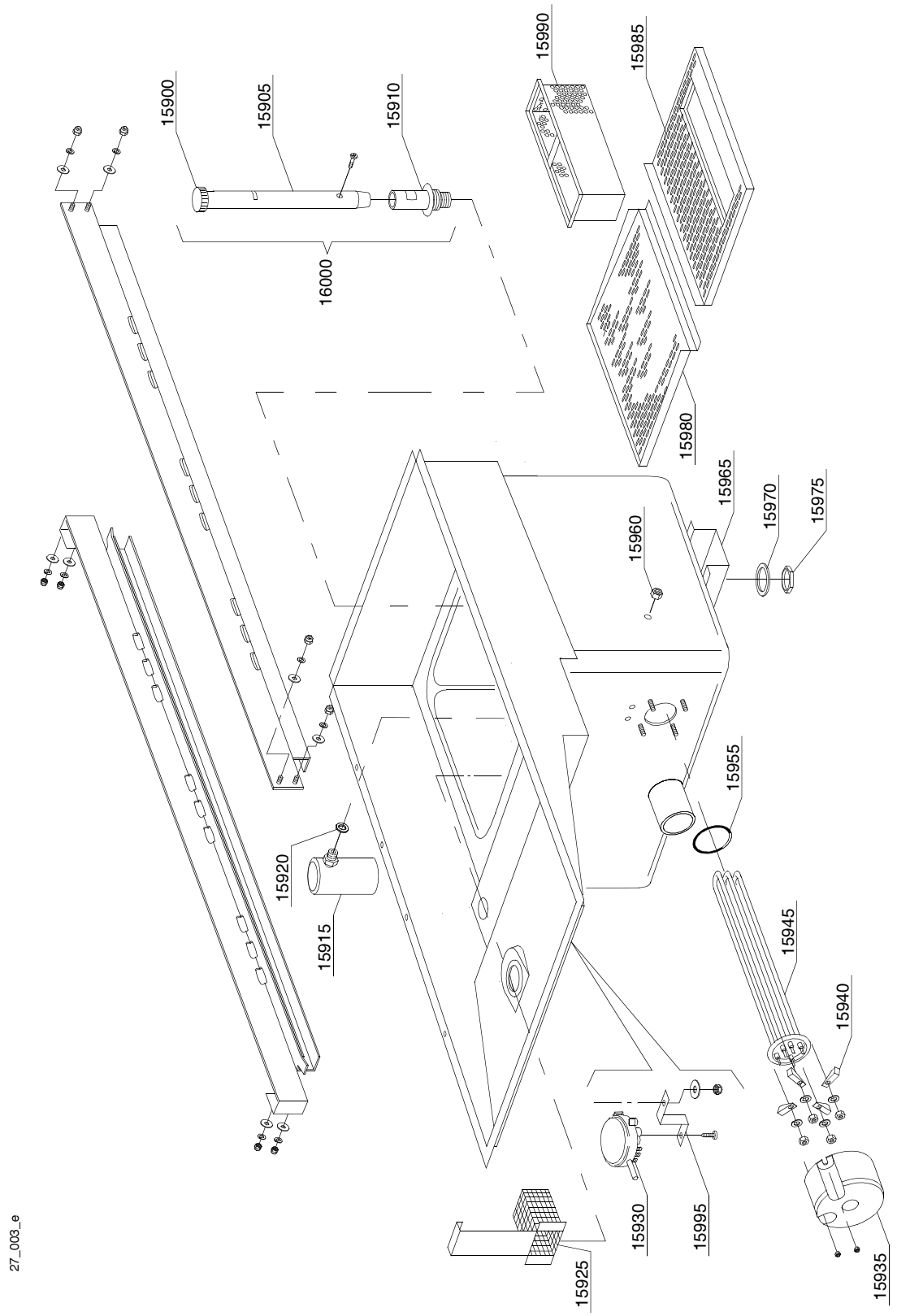
ID	P-code	Model	Type	Accessory	Voltage	Description
MODULE:Prerinsing components						
14400	13025		27			O-ring 2081
14405	3003903		27			Prewashing arm 2 nozzle
14410	2002051		27			Gasket EPDM 17.5x1.5
14415	2002054		27			Plug for arm
14420	3003953		27			Prerinsing ramp
14425	13326		27			Gasket 38x27x2
14430	2200103		27			Nut
14435	13009		27			O-ring 2050
14440	10746/A		27			Nozzle pr
14445	3003063		27			Hose connection
14450	10718		27			Pump elbow
14455	10501/C		27		A	Prerinsing pump 100W
14460	18767/A		27			Coupling
14465	10702		27			5 uF condenser



27_004_e

Spare parts

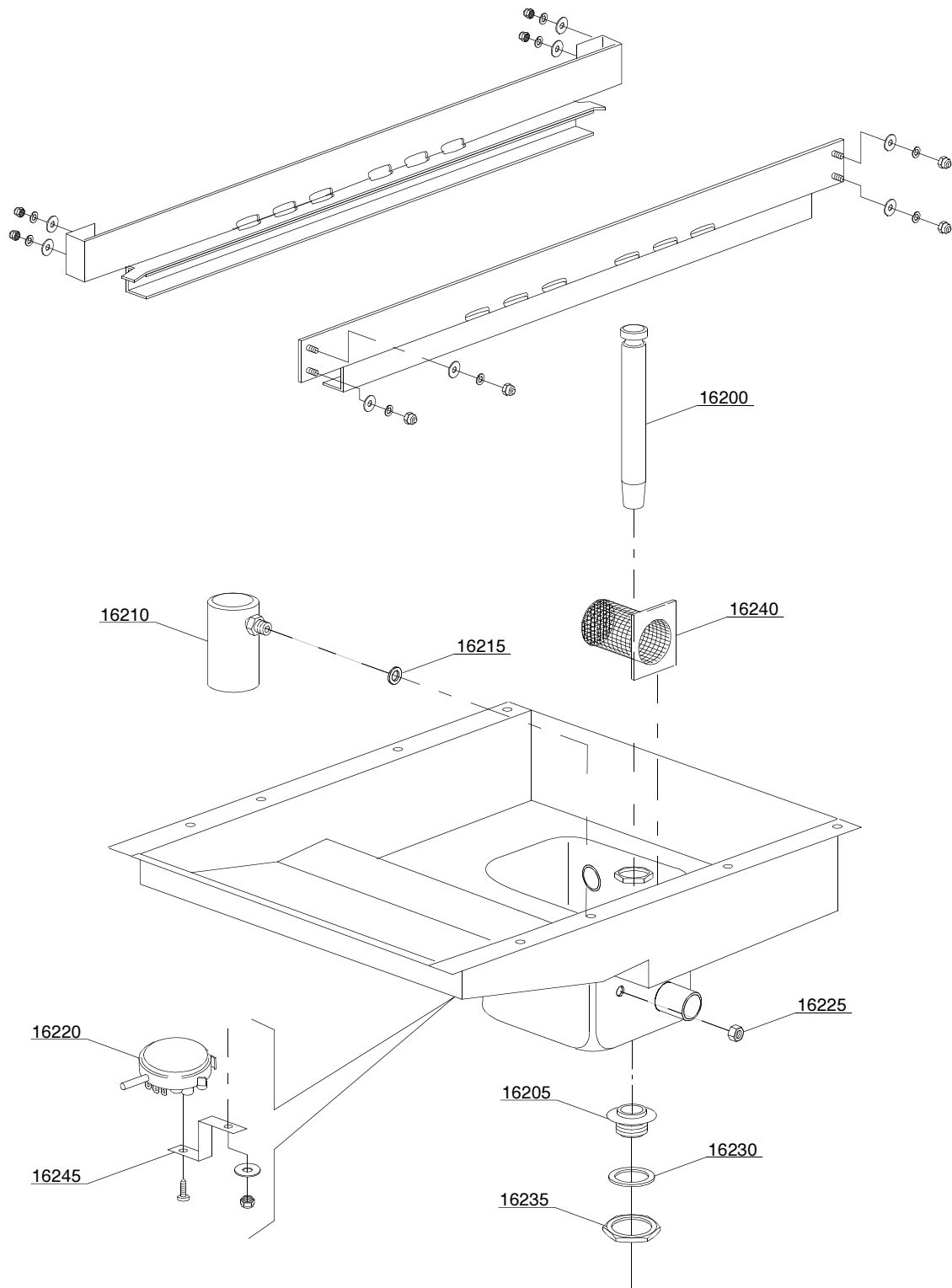
ID	P-code	Model	Type	Accessory	Voltage	Description
MODULE:Internal components prewashing module 600						
15000	88105		27			Overflow pipe plug
15005	3004100		27			Overflow pipe assembly
15010	3004099		27			Overflow device support
15015	80106		27			Air trap
15020	13301		27			Gasket ROLMART 14x8x1.5
15025	3004054		27			Inlet pipe
15030	10600016		27			Nut
15035	10200101		27			Nut
15040	10200182		27			Cone
15045	3009387		27			Washer
15050	10200171		27			Gasket FASIT 25x17x2
15055	80231		27			Fitting
15060	12005		27			Hose holder
15065	3019071		27			Pump suction-filter
15070	88110		27			Pressure switch (260-30)
15075	11702		27			Nut
15080	10200173		27			Gasket 75x58x3
15085	10600012		27			Flat nut
15090	3009565		27			Strainer plate left
15090	3009566		27			Strainer plate right
15100	88302		27			Scrap tray
15105	3009363		27			Pressure switch support
15110	3004097		27			Overflow pipe



27_003_e

Spare parts

ID	P-code	Model	Type	Accessory	Voltage	Description
MODULE:Internal components washing module 900						
15900	88105		27			Overflow pipe plug
15905	3004094		27			Overflow pipe
15910	3004099		27			Overflow device support
15915	80106		27			Air trap
15920	13301		27			Gasket ROLMART 14x8x1.5
15925	3019071		27			Pump suction-filter
15930	88110		27			Pressure switch (260-30)
15935	75311		27			Heating element cover
15940	16045		27			Heating element support Ø6.3
15945	30001011		27		A	Heating element 9kW
15945	30001011/A		27		A	Heating element 12kW
15945	30001011/B		27		A	Heating element 14kW
15955	13015		27			O-ring 160 (6225)
15960	11702		27			Nut
15965	3009299		27			Tank support
15970	10200173		27			Gasket 75x58x3
15975	10600012		27			Flat nut
15980	3009567		27			Strainer plate, back
15985	3019074		27			Strainer plate front
15990	3019065		27			Scrap tray
15995	3009363		27			Pressure switch support
16000	3004101		27			Overflow pipe assembly

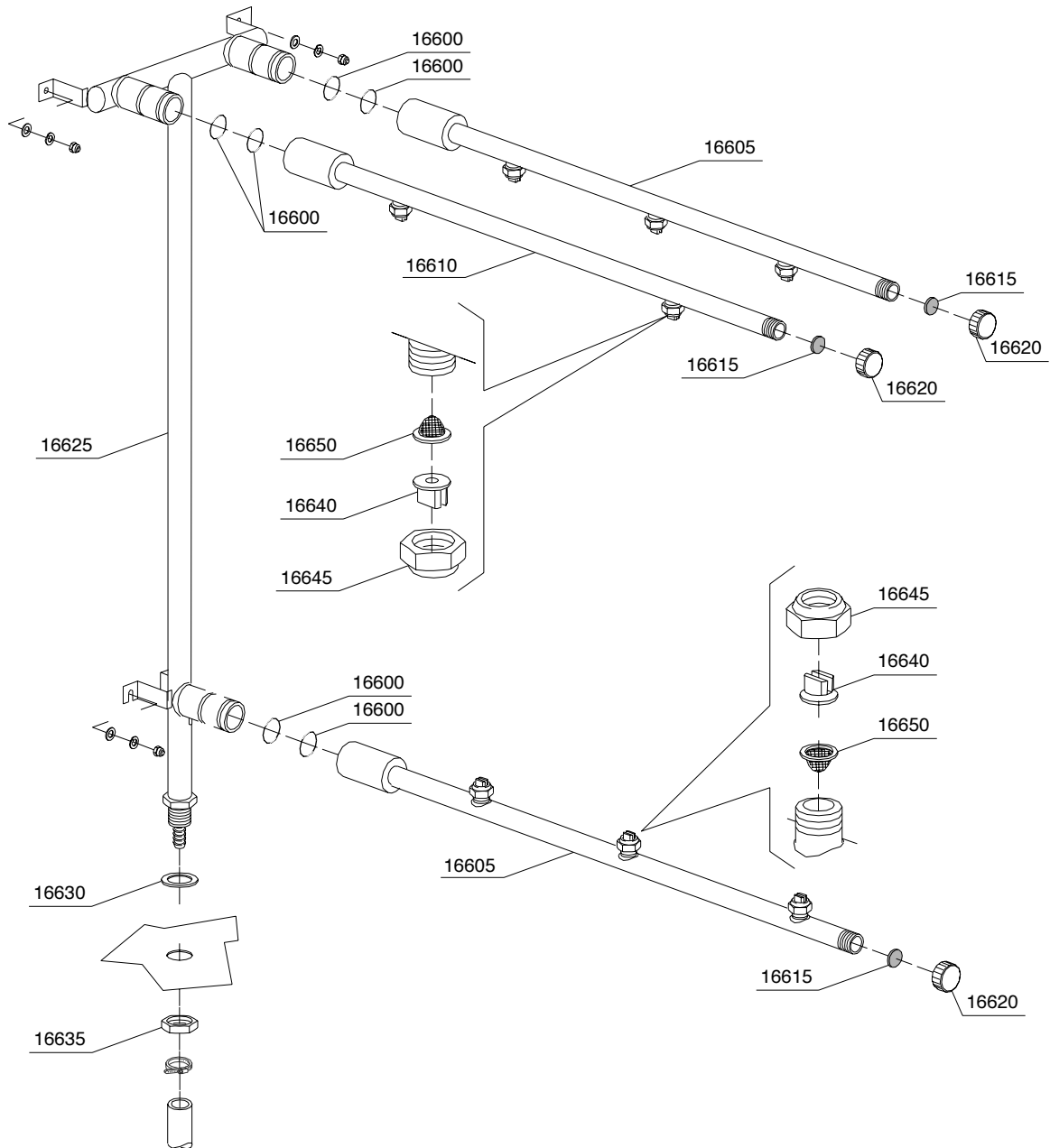


27_005_e

Spare parts

ID	P-code	Model	Type	Accessory	Voltage	Description
MODULE:Internal components rinsing module 600						
16200	3004089		27			Tank plug
16205	15063		27			Stainless steel floor drain
16210	80106		27			Air trap
16215	13301		27			Gasket ROLMART 14x8x1.5
16220	10706/A		27			Pressure switch (55-30)
16225	11702		27			Nut
16230	13305		27			Gasket 44x32x3
16235	11701/A		27			Nut
16240	10914		27			Pump filter
16245	3009363		27			Pressure switch support

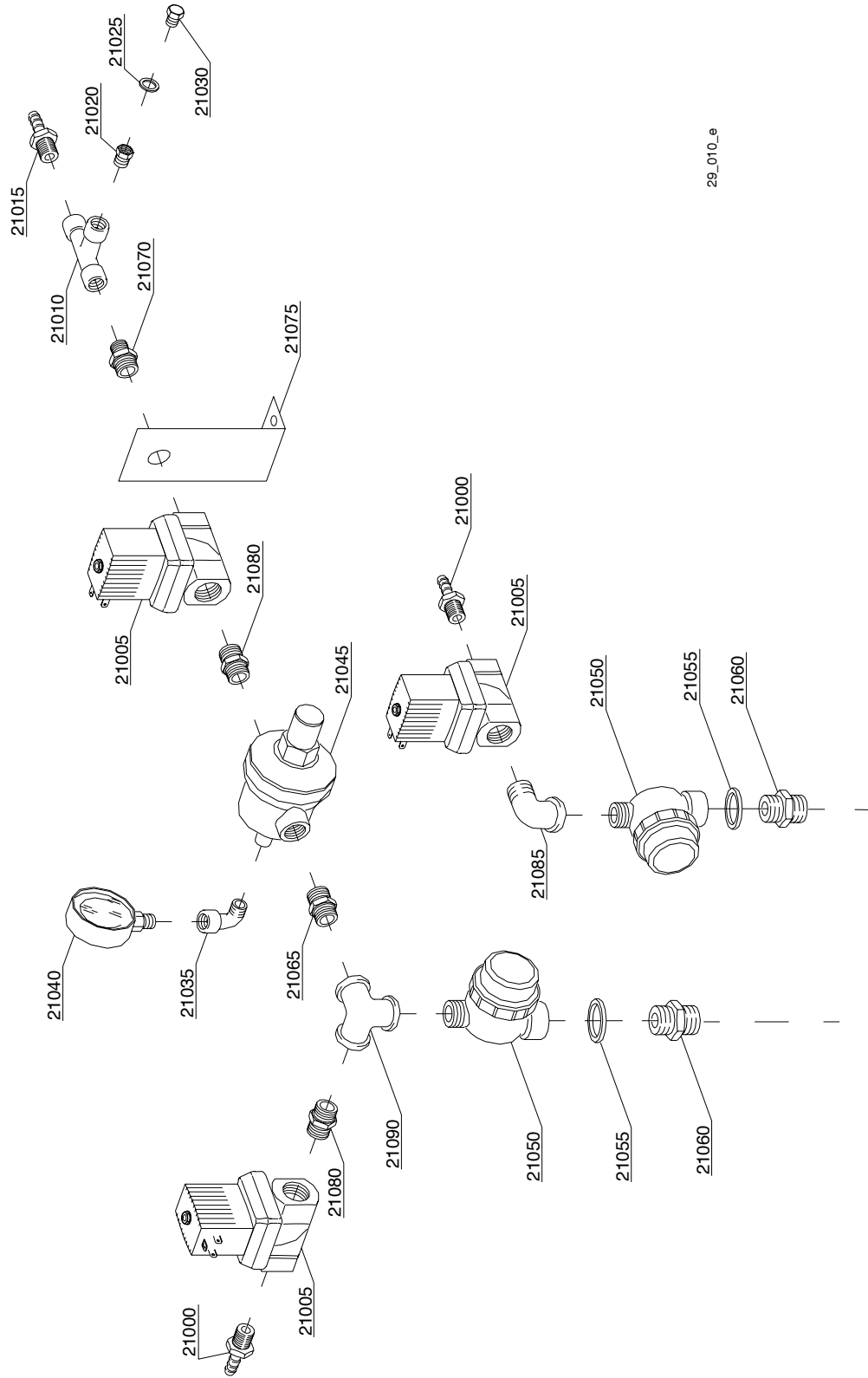
28_002_e



Spare parts

ID	P-code	Model	Type	Accessory	Voltage	Description
MODULE:Rinsing components						
16600	13025		27			O-ring 2081
16605	3003902		27			Rinsing arm 3 nozzle
16610	3003901		27			Rinsing arm 2 nozzle
16615	2002051		27			Gasket EPDM 17.5x1.5
16620	2002054		27			Plug for arm
16625	3003952		27			Rinsing ramp
16630	13326		27			Gasket 38x27x2
16635	2200103		27			Nut
16640	2200114		27			Nozzle
16645	2200116		27			Nut
16650	2200117		27			Filter

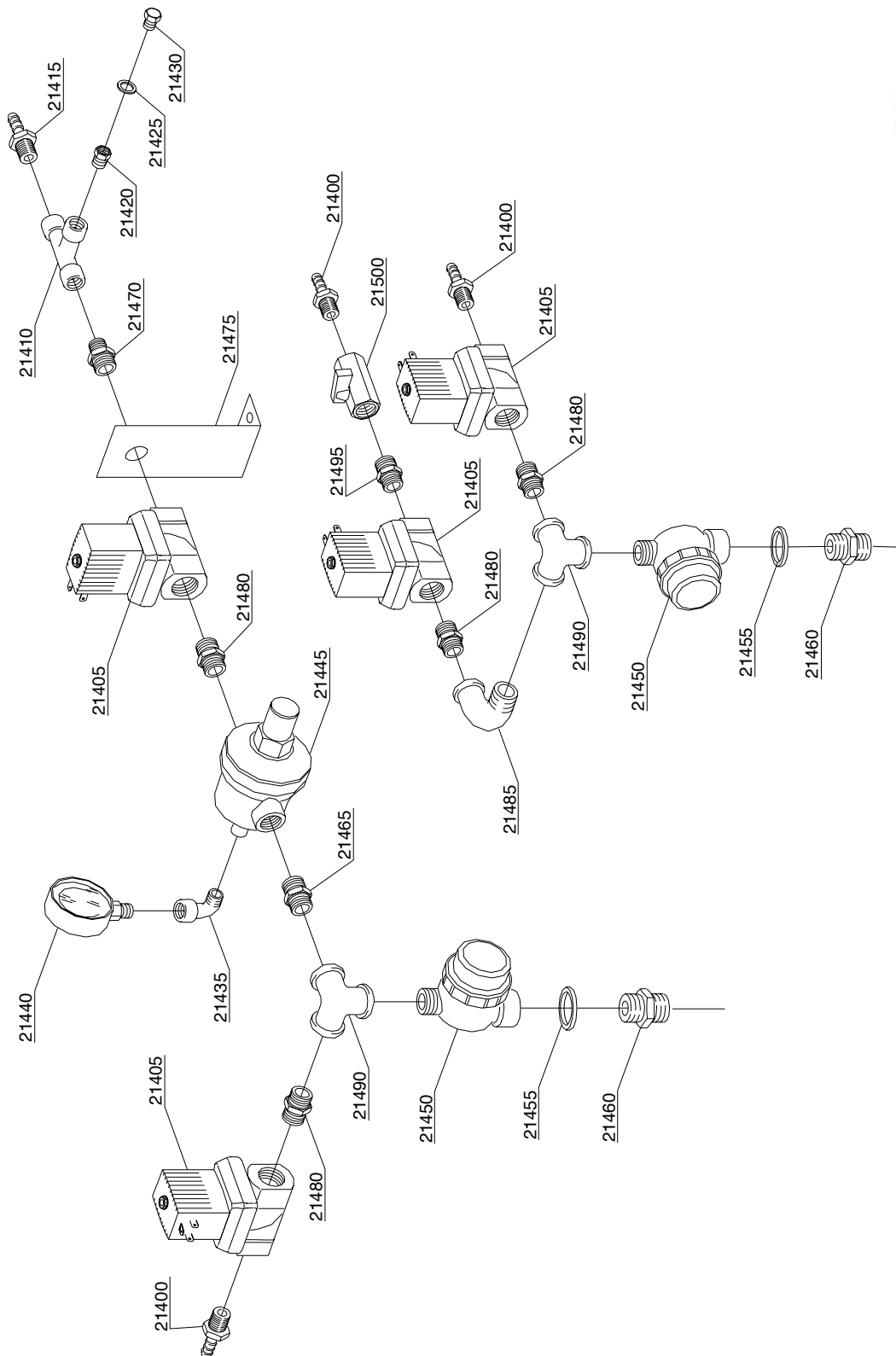
ID	P-code	Model	Type	Accessory	Voltage	Description
MODULE:Boiler components						
17100	75205		27			Bottom boiler insulating
17105	30002030		27			Boiler insulating
17110	3007012		27			Boiler
17115	3007013		27			Boiler
17120	13015		27			O-ring 160 (6225)
17125	75311		27			Heating element cover
17130	16045		27			Heating element support Ø6.3
17135	30001011		27		A	Heating element 9kW
17135	30001011/A		27		A	Heating element 12kW
17135	30001011/B		27		A	Heating element 14kW



29_010_e

Spare parts

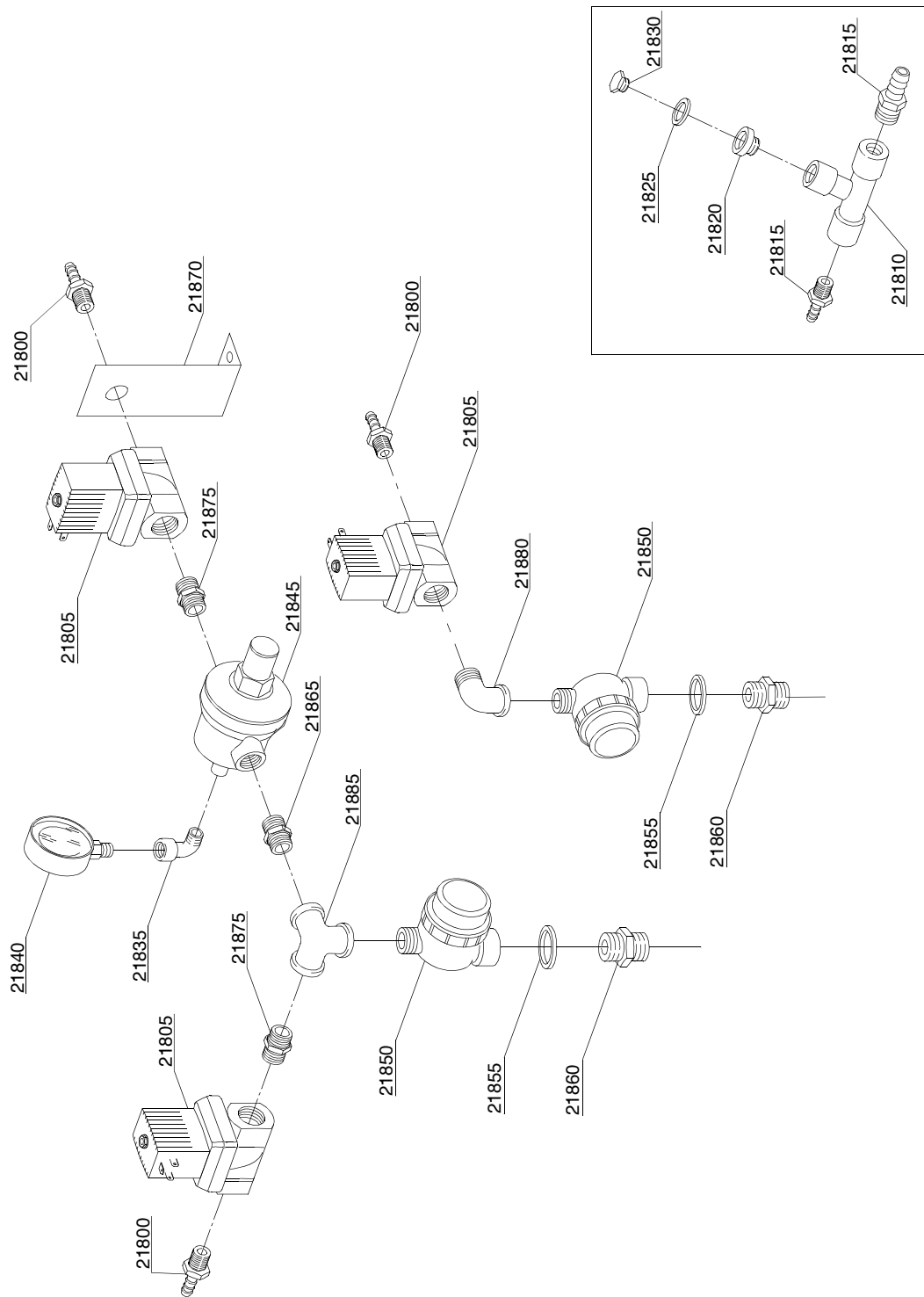
ID	P-code	Model	Type	Accessory	Voltage	Description
MODULE:Solenoid valves components						
21000	12023		27			Hose holder
21005	3002030		27			Solenoid valve
21010	12008		27			Connection T
21015	12005		27			Hose holder
21020	12032		27			Reduction nipples
21025	13309		27			Gasket 14x10x1.5
21030	12002		27			Plug
21035	12012		27			Elbow
21040	2000244		27			Pressure reduction gauge
21045	2000364		27			Pressure reduction valve
21050	2000121		27			Filter
21055	13326		27			Gasket 38x27x2
21060	12025		27			Nipples
21065	10200208		27			Nipples
21070	12033		27			Nipples
21075	3009439		27			Solenoid valve support
21080	3002145		27			Reduction nipples
21085	3002141		27			Elbow
21090	3002143		27			Elbow distributor
MODULE:Solenoid valves components						
21000	12023		27	d9,d92,974,975,d94		Hose holder
21005	3002030		27	d9,d92,974,975,d94		Solenoid valve
21010	12008		27	d9,d92,974,975,d94		Connection T
21015	12005		27	d9,d92,974,975,d94		Hose holder
21020	12032		27	d9,d92,974,975,d94		Reduction nipples
21025	13309		27	d9,d92,974,975,d94		Gasket 14x10x1.5
21030	12002		27	d9,d92,974,975,d94		Plug
21035	12012		27	d9,d92,974,975,d94		Elbow
21040	2000244		27	d9,d92,974,975,d94		Pressure reduction gauge
21045	2000364		27	d9,d92,974,975,d94		Pressure reduction valve
21050	2000121		27	d9,d92,974,975,d94		Filter
21055	13326		27	d9,d92,974,975,d94		Gasket 38x27x2
21060	12025		27	d9,d92,974,975,d94		Nipples
21065	10200208		27	d9,d92,974,975,d94		Nipples
21070	12033		27	d9,d92,974,975,d94		Nipples
21075	3009439		27	d9,d92,974,975,d94		Solenoid valve support
21080	3002145		27	d9,d92,974,975,d94		Reduction nipples
21085	3002141		27	d9,d92,974,975,d94		Elbow
21090	3002143		27	d9,d92,974,975,d94		Elbow distributor
			27			



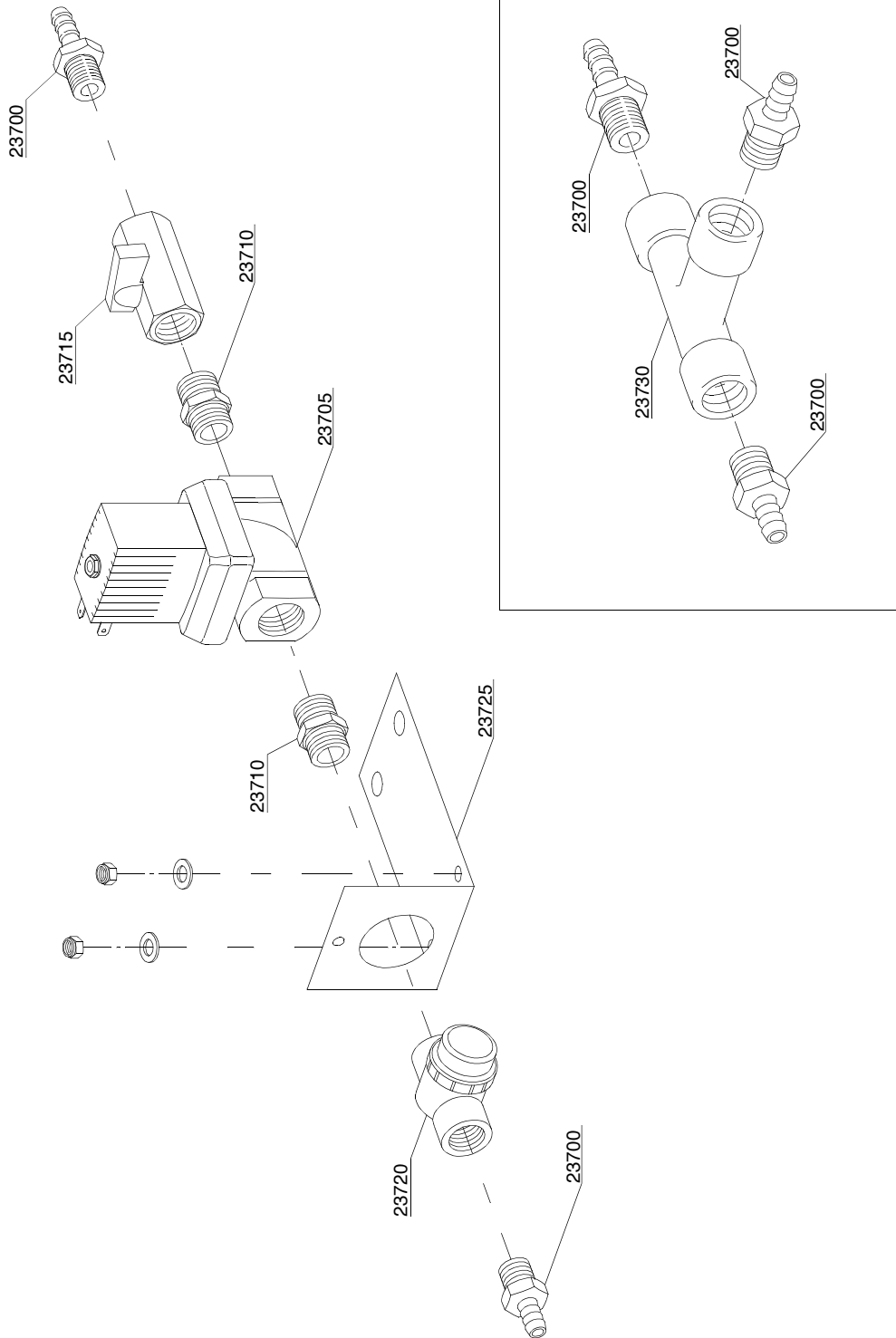
29_011_e

Spare parts

ID	P-code	Model	Type	Accessory	Voltage	Description
MODULE:Solenoid valves components						
21400	12023		27	sc9		Hose holder
21405	3002030		27	sc9		Solenoid valve
21410	12008		27	sc9		Connection T
21415	12005		27	sc9		Hose holder
21420	12032		27	sc9		Reduction nipples
21425	13309		27	sc9		Gasket 14x10x1.5
21430	12002		27	sc9		Plug
21435	12012		27	sc9		Elbow
21440	2000244		27	sc9		Pressure reduction gauge
21445	2000364		27	sc9		Pressure reduction valve
21450	2000121		27	sc9		Filter
21455	13326		27	sc9		Gasket 38x27x2
21460	12025		27	sc9		Nipples
21465	10200208		27	sc9		Nipples
21470	12033		27	sc9		Nipples
21475	3009439		27	sc9		Solenoid valve support
21480	3002145		27	sc9		Reduction nipples
21485	3002142		27	sc9		Elbow
21490	3002143		27	sc9		Elbow distributor
21495	12027		27	sc9		Nipples
21500	3002140		27	sc9		Tap

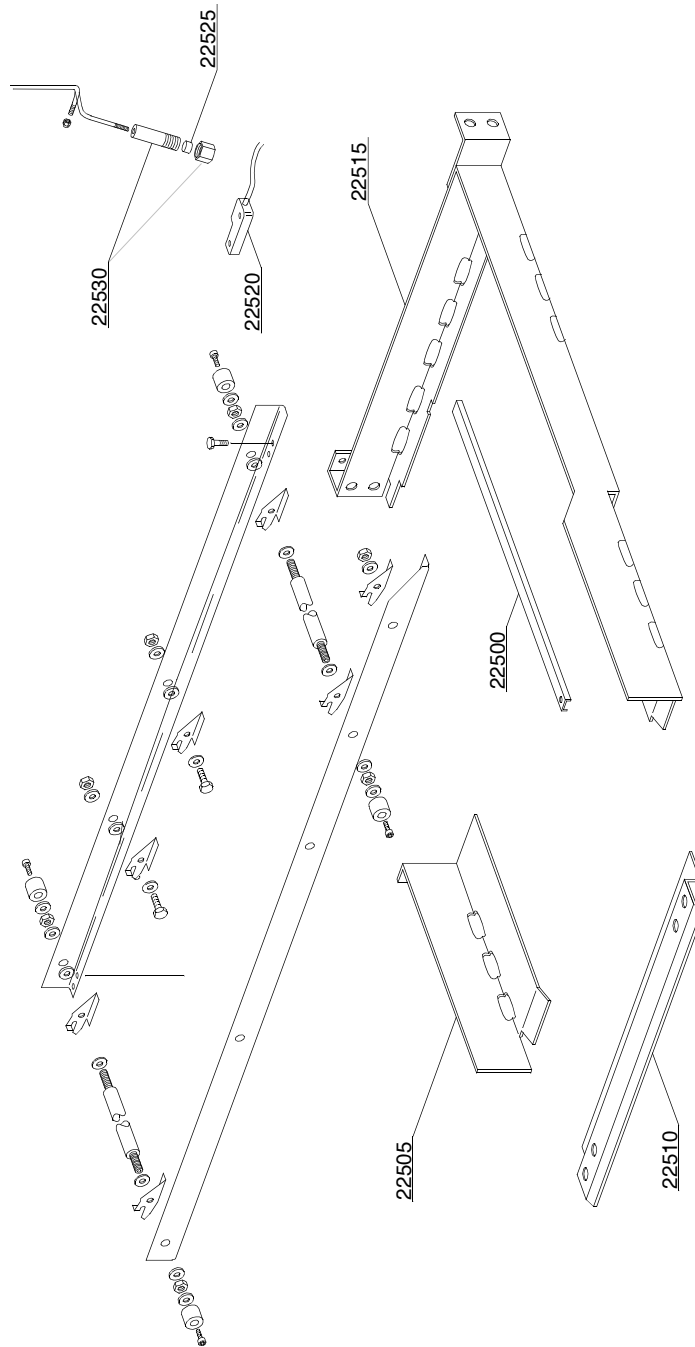


ID	P-code	Model	Type	Accessory	Voltage	Description
MODULE:Solenoid valves components						
21800	12023		27	hr		Hose holder
21805	3002030		27	hr		Solenoid valve
21810	12008		27	hr		Connection T
21815	12005		27	hr		Hose holder
21820	12032		27	hr		Reduction nipples
21825	13309		27	hr		Gasket 14x10x1.5
21830	12002		27	hr		Plug
21835	12012		27	hr		Elbow
21840	2000244		27	hr		Pressure reduction gauge
21845	2000364		27	hr		Pressure reduction valve
21850	2000121		27	hr		Filter
21855	13326		27	hr		Gasket 38x27x2
21860	12025		27	hr		Nipples
21865	10200208		27	hr		Nipples
21870	3009439		27	hr		Solenoid valve support
21875	3002145		27	hr		Reduction nipples
21880	3002141		27	hr		Elbow
21885	3002143		27	hr		Elbow distributor



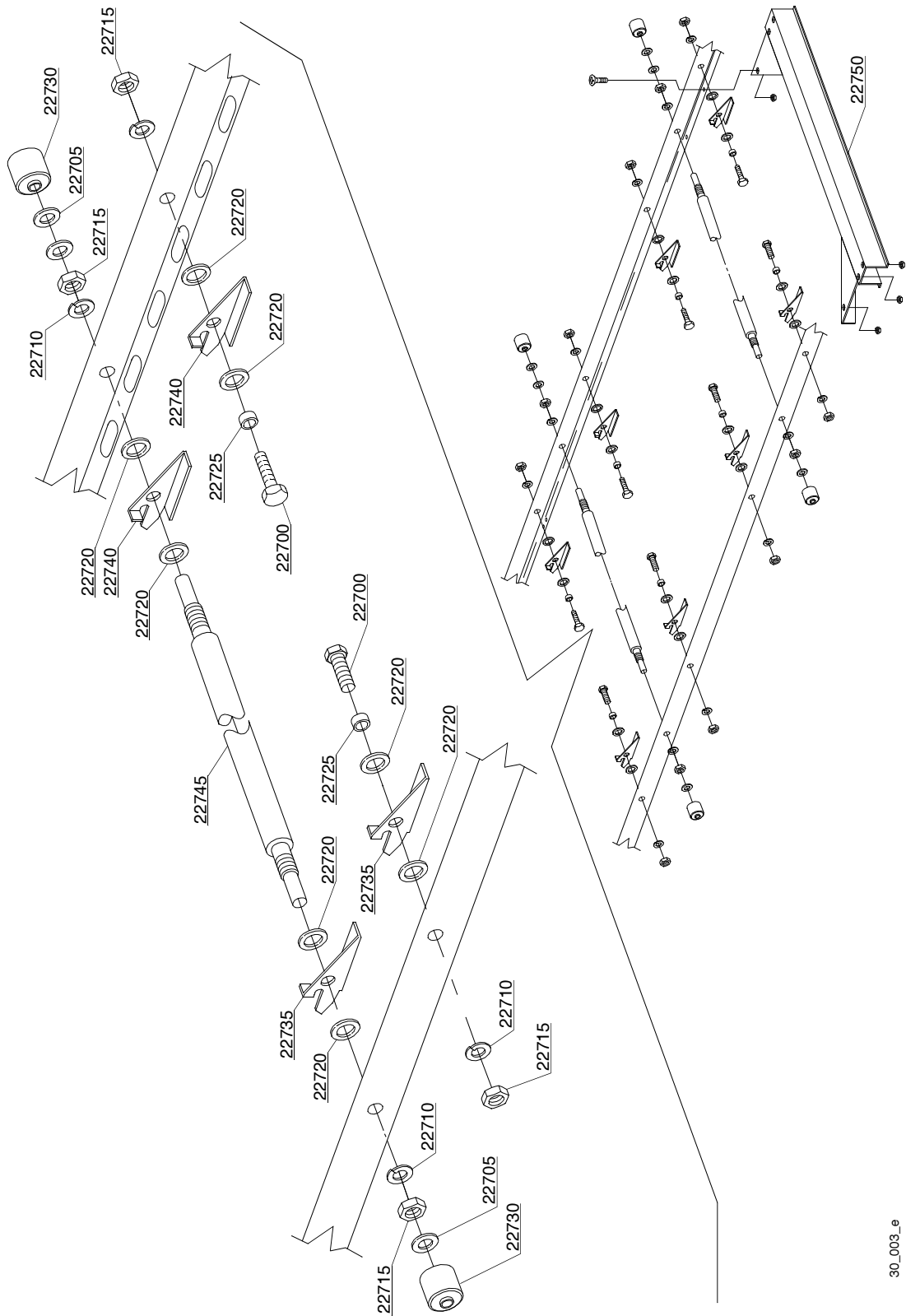
Spare parts

ID	P-code	Model	Type	Accessory	Voltage	Description
MODULE:Detergent economizer system						
23700	12023		27	des		Hose holder
23705	3002030		27	des		Solenoid valve
23710	12027		27	des		Nipples
23715	3002140		27	des		Tap
23720	3004165		27	des		Filter
23725	3009649		27	des		Solenoid valve support
23730	12028		27	des		Connection T



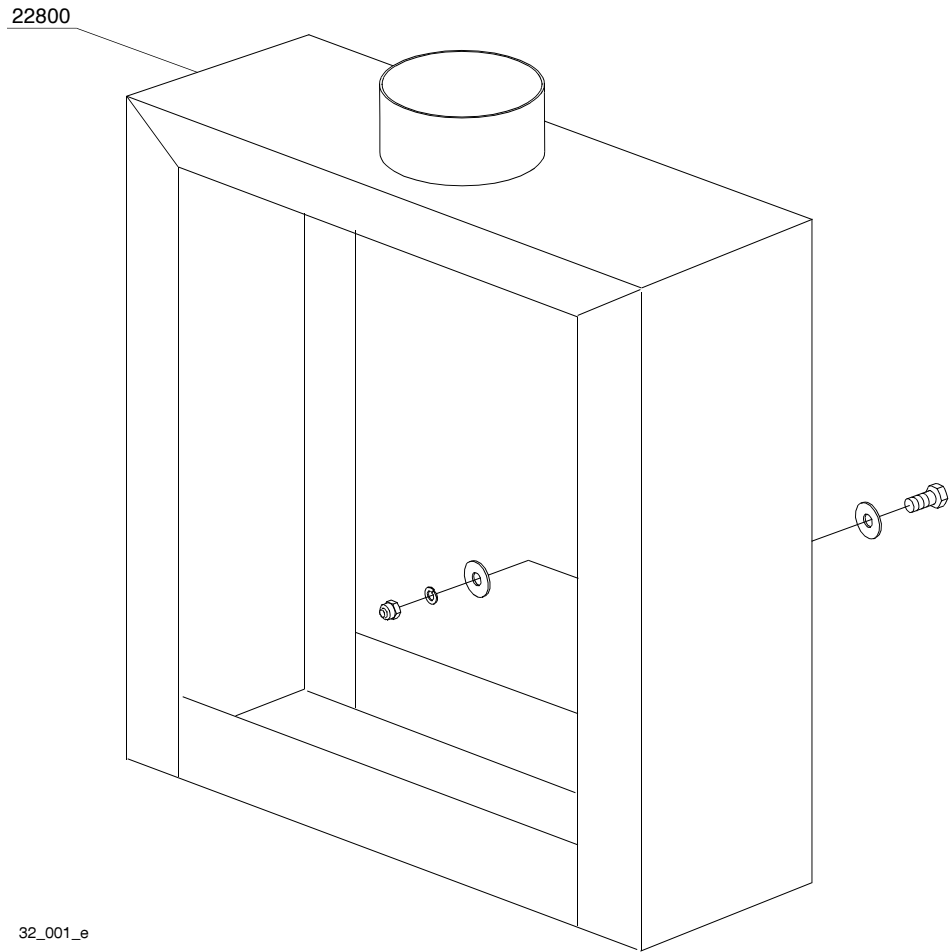
Spare parts

ID	P-code	Model	Type	Accessory	Voltage	Description
MODULE:Conveyor parts						
22500	3009273		27			Slide
22505	3009298		27			Slide right
22505	3009446		27			Slide left
22510	3009271		27			Sleeper right
22510	3009272		27			Sleeper left
22515	3009233		27			Slide left
22515	3009234		27			Slide right
22520	3003112		27			Microswitch
22525	3003113		27			Magnet
22530	3003058		27			Magnet holder



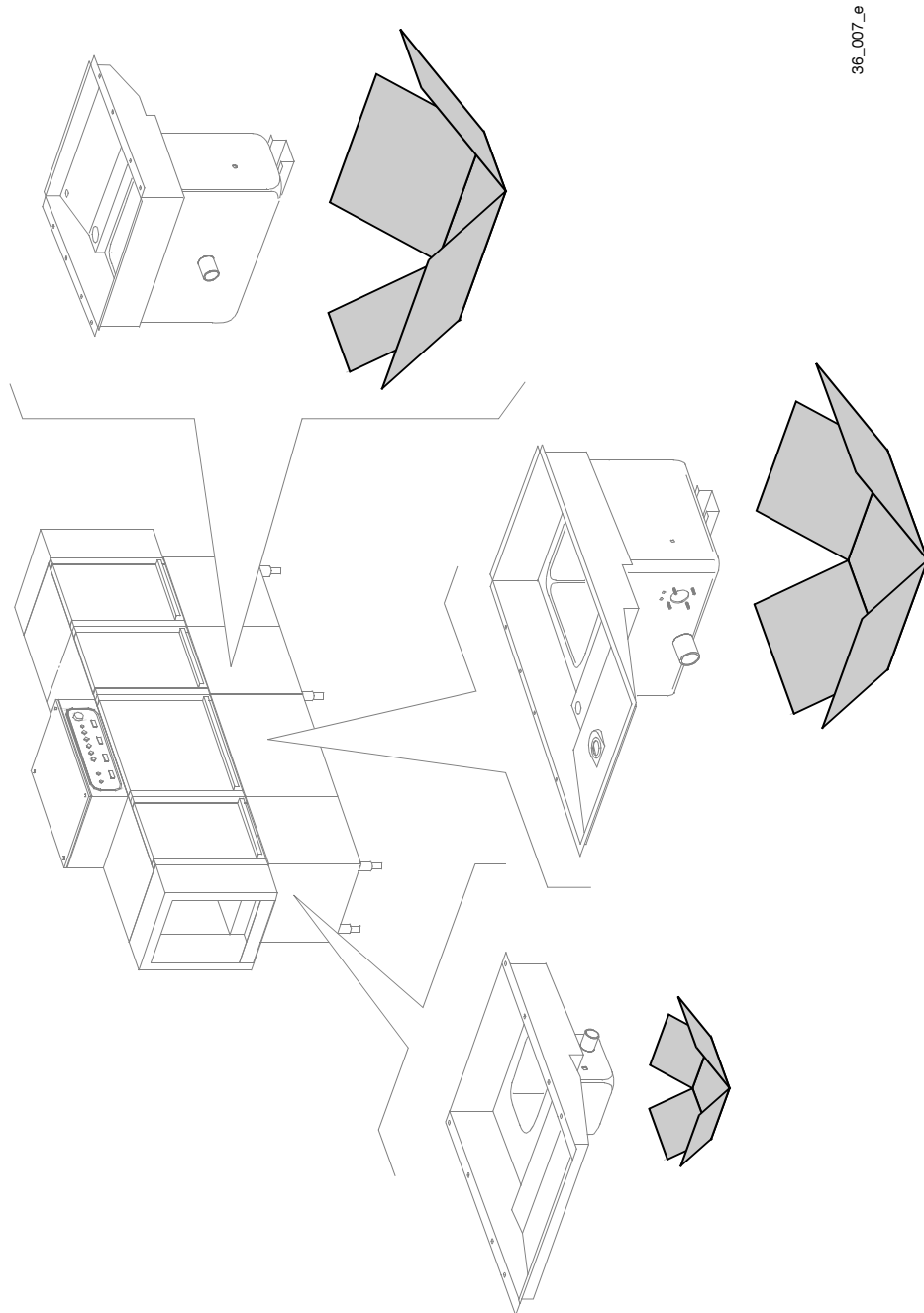
Spare parts

ID	P-code	Model	Type	Accessory	Voltage	Description
MODULE:Conveyor parts						
22700	11109		27			Screw
22705	11185		27			Washer
22710	11609		27			Split washer
22715	11719		27			Nut
22720	3003024		27			Washer
22725	3003025		27			Bush
22730	3003026		27			Bush
22735	3003100		27			Clip right
22740	3003101		27			Clip left
22745	3003010		27			Axis
22750	3009107		27			Guide



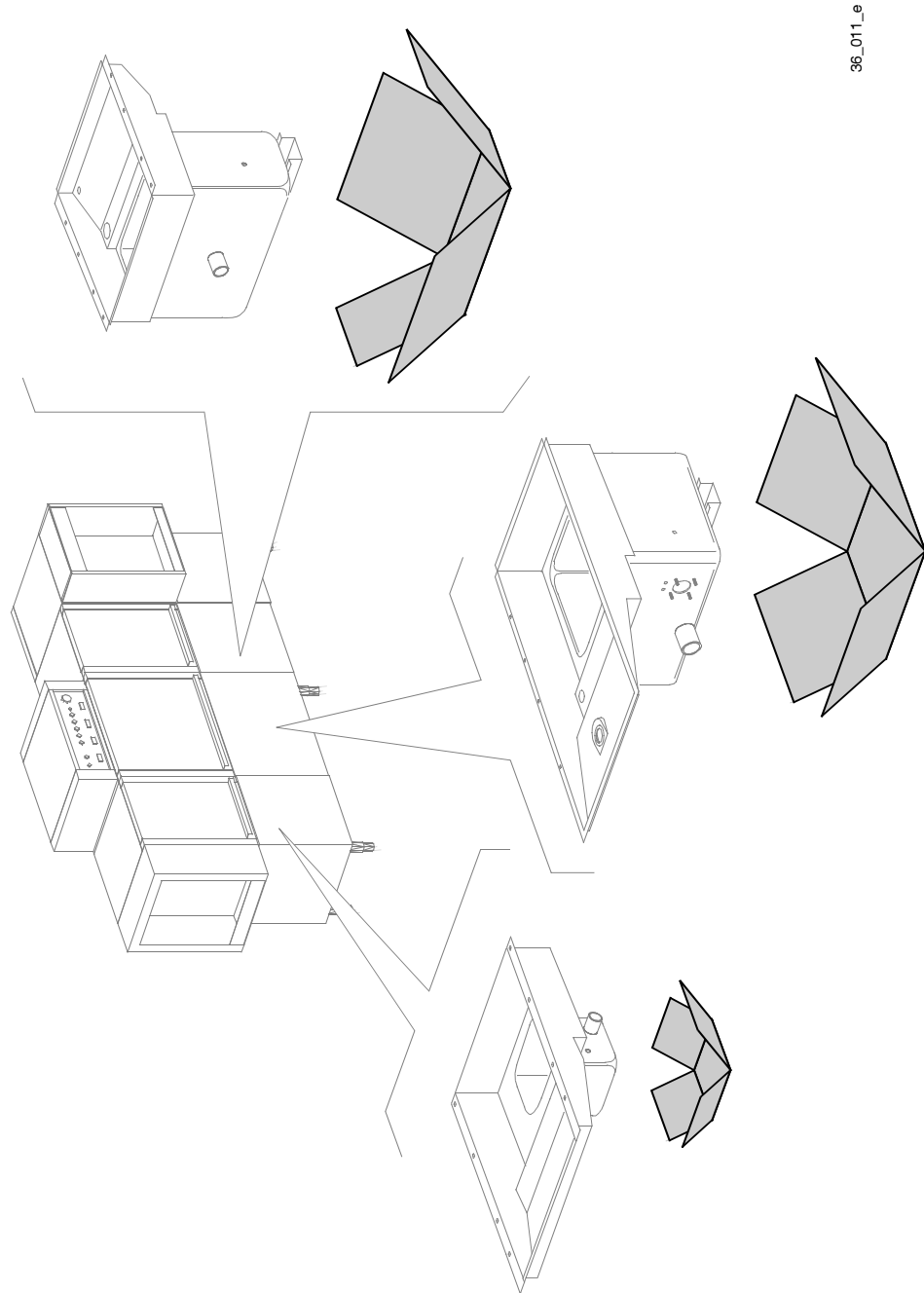
Spare parts

ID	P-code	Model	Type	Accessory	Voltage	Description
MODULE: Splash zone with cilinder - LC 94						
22800	999910065		27	szc9		Splash zone with cilinder LC94



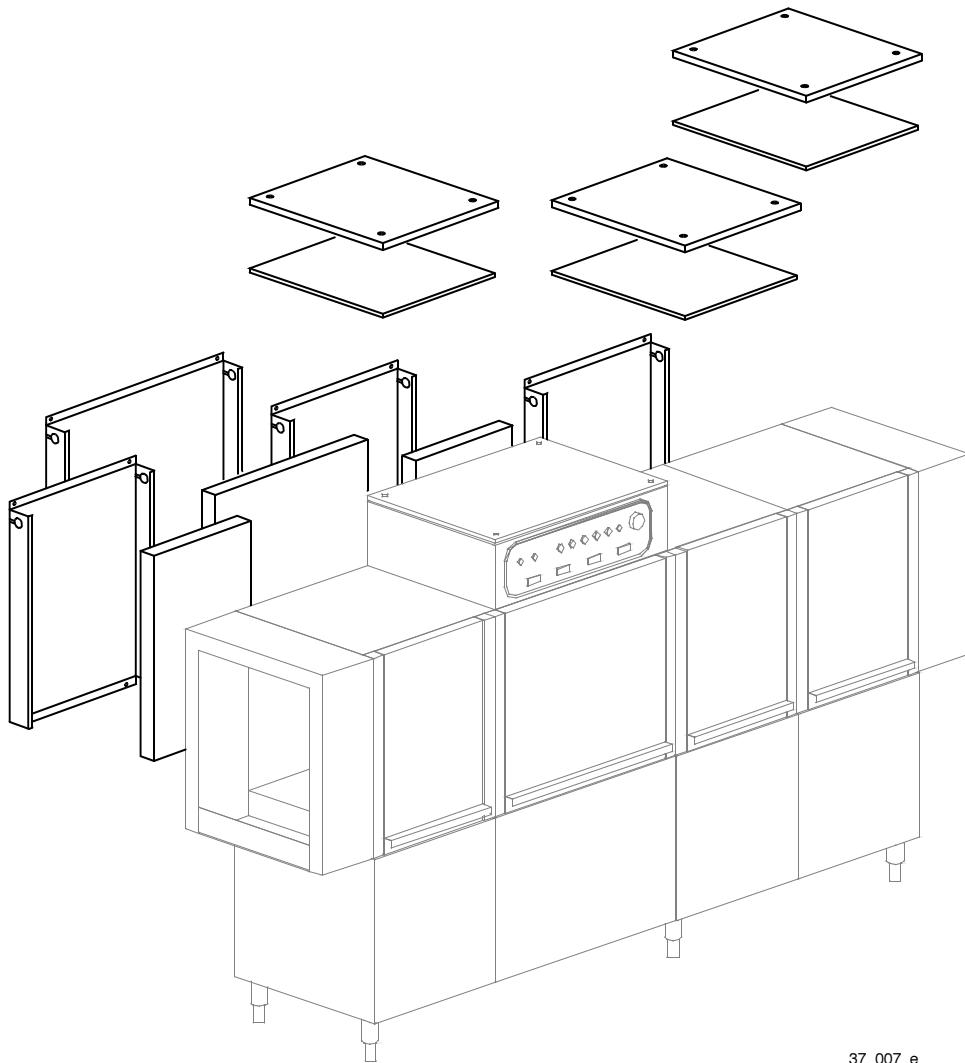
Spare parts

ID	P-code	Model	Type	Accessory	Voltage	Description
MODULE:Tanks insulation						
	999910211		27	ti		Tanks insulation
N.B.: kit suppliable only togeter with the machine, not after						



Spare parts

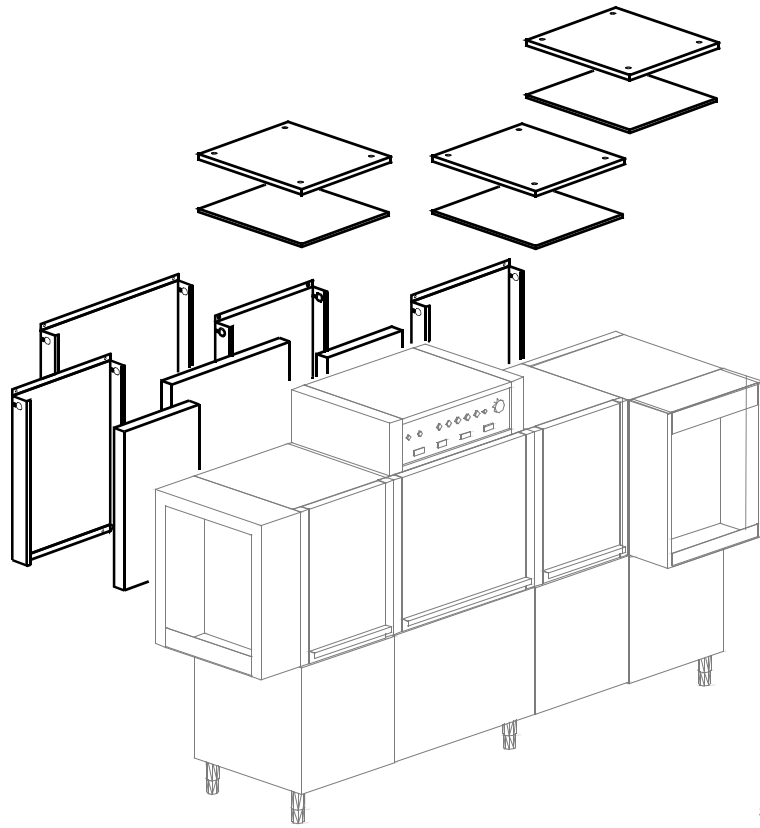
ID	P-code	Model	Type	Accessory	Voltage	Description
MODULE:Tanks insulation						
	999910211		27	ti		Tanks insulation
N.B.: kit suppliable only togeter with the machine, not after						



37_007_e

Spare parts

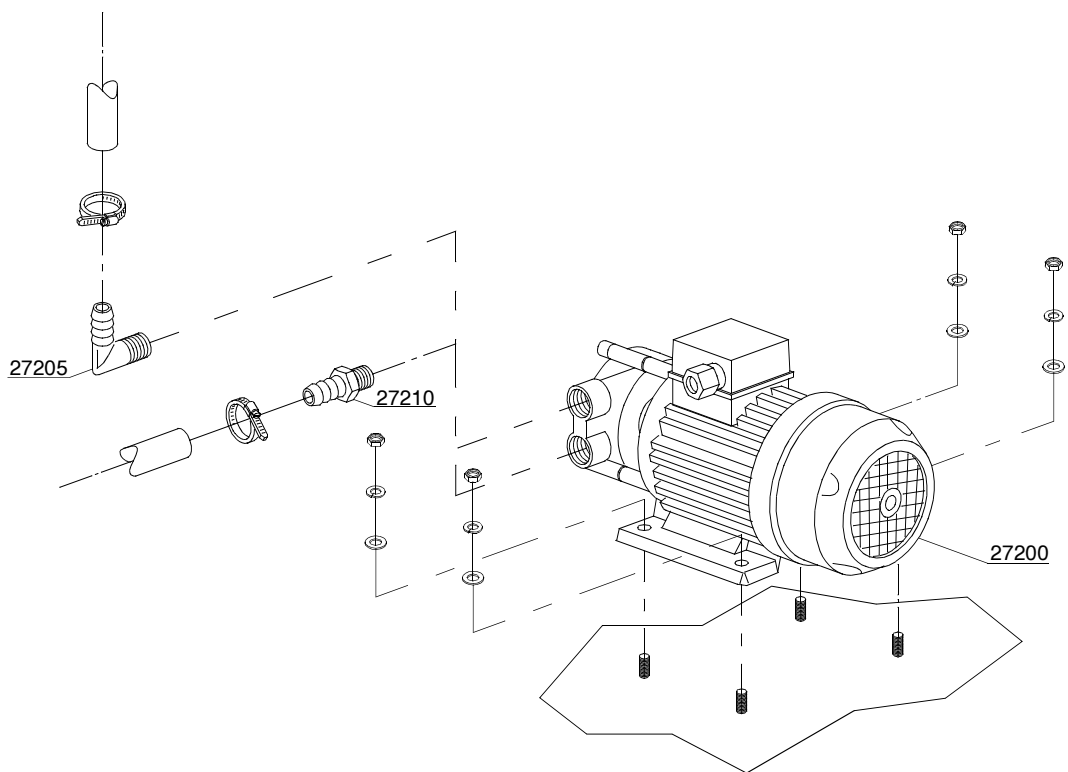
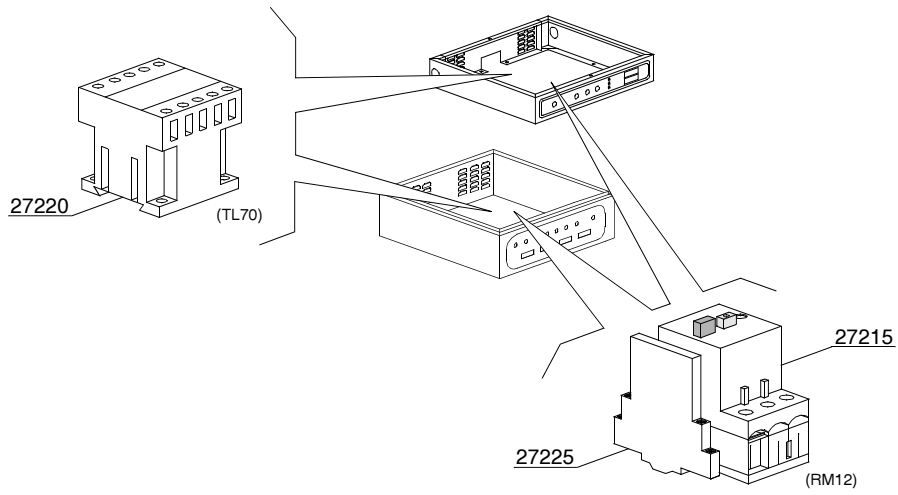
ID	P-code	Model	Type	Accessory	Voltage	Description
MODULE:Double skin						
	999910204		27	ds		Double skin assembly
N.B.: kit suppliable only togeter with the machine, not after						



37_011_e

Spare parts

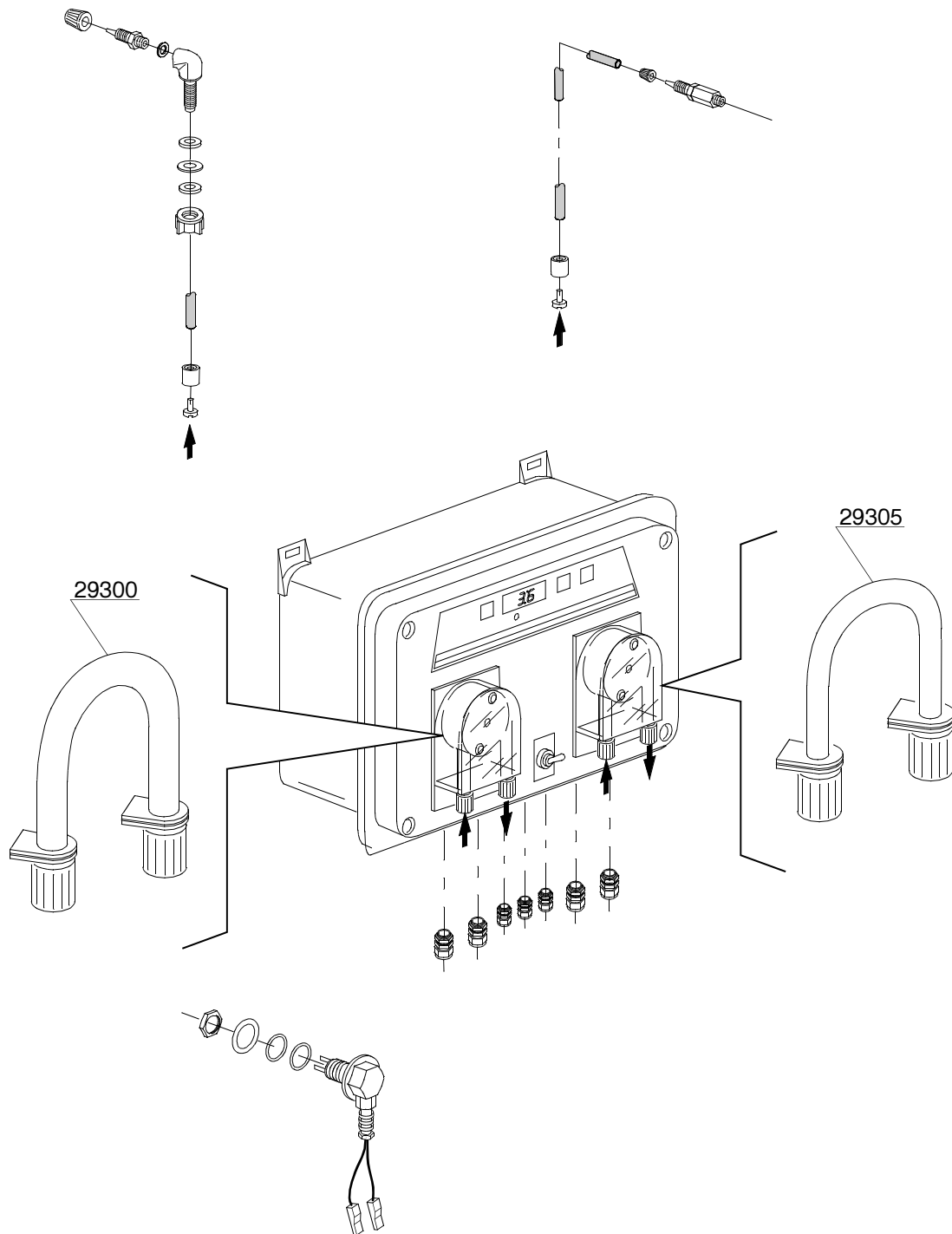
ID	P-code	Model	Type	Accessory	Voltage	Description
MODULE:Double skin						
	999910204		27	ds		Double skin assembly
N.B.: kit suppliable only togeter with the machine, not after						



38_001_e

Spare parts

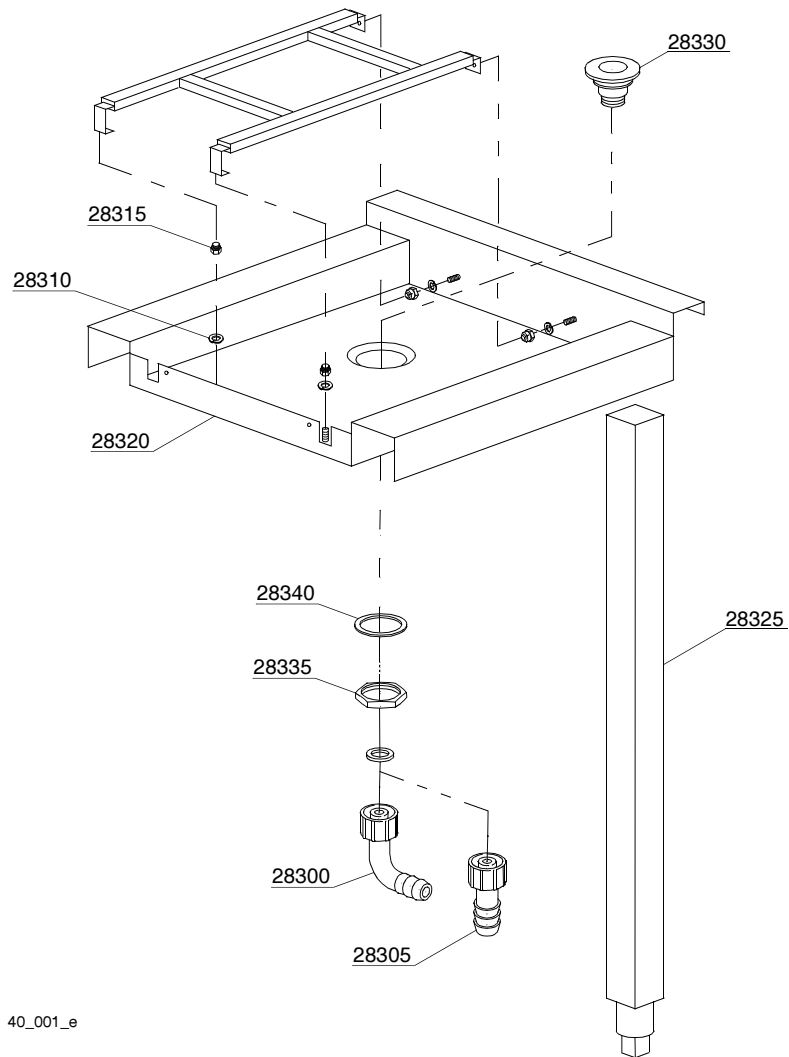
ID	P-code	Model	Type	Accessory	Voltage	Description
MODULE:Booster pump						
27200	15100		27	bp		Booster pump
27205	12030		27	bp		Elbow pipe fitting
27210	10221311		27	bp		Pipe fitting
27215	2000394		27	bp		Motorprotector 2,5-4A
27220	2000370		27	bp		Contactora MC9
27225	3006080		27	bp		Auxiliary contact LMS25



39_001_e

Spare parts

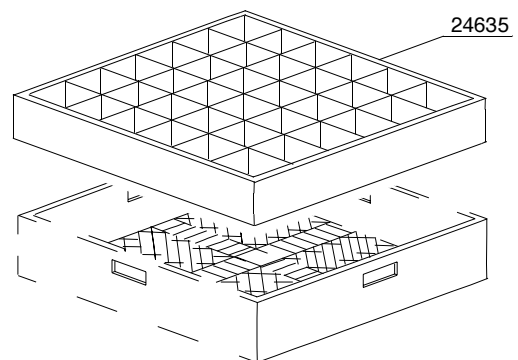
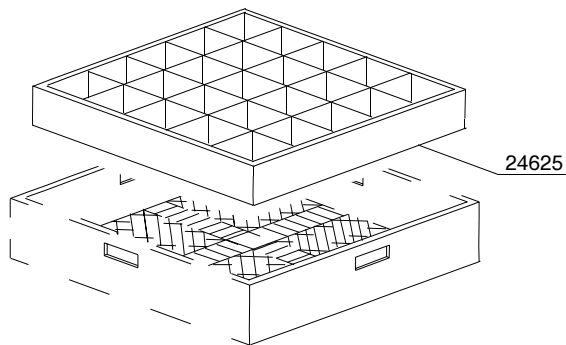
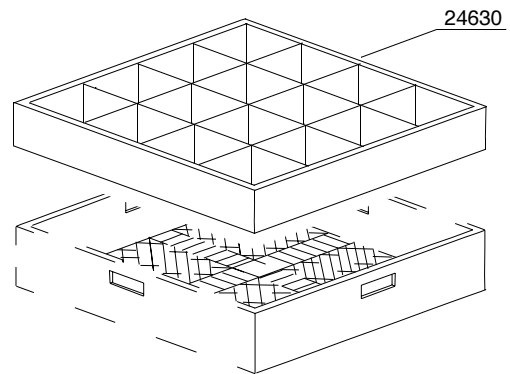
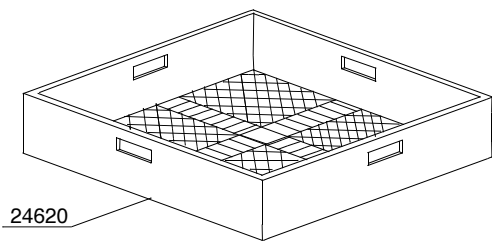
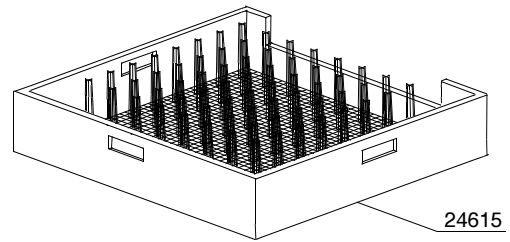
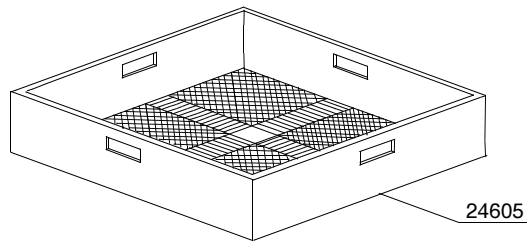
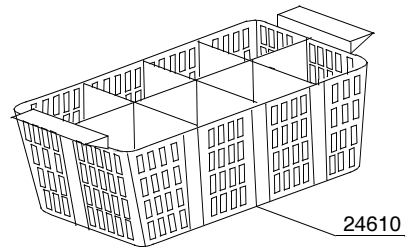
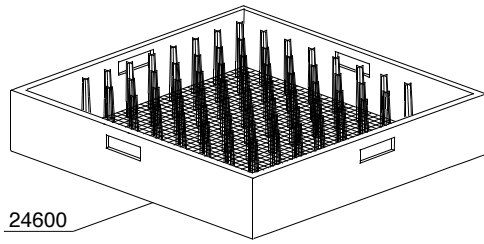
ID	P-code	Model	Type	Accessory	Voltage	Description
MODULE:Dispensers SDN-3						
	15181		27	sdn3		Dispensers assembly SDN-3
29300	15185		27	sdn3		Pipe fitting for detergent dispenser
29305	15186		27	sdn3		Pipe fitting for rinse dispenser



40_001_e

Spare parts

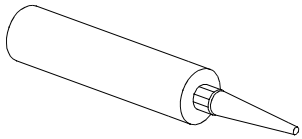
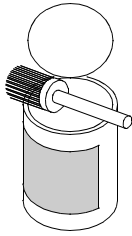
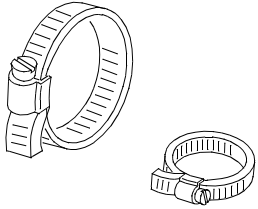
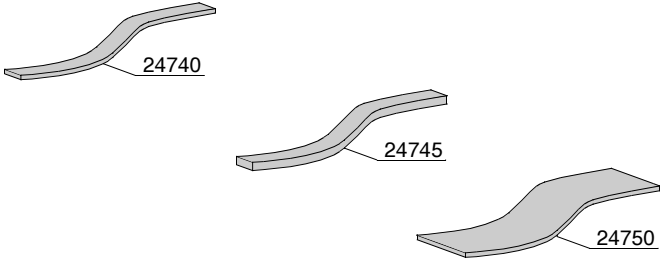
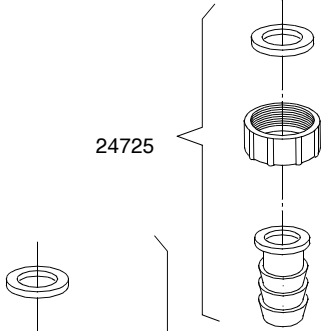
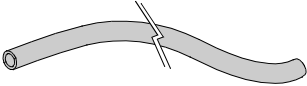
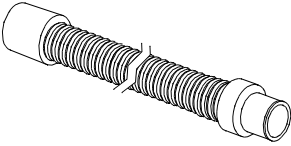
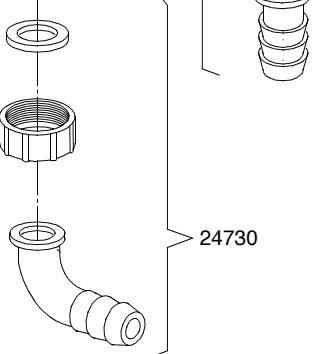
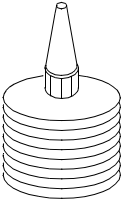
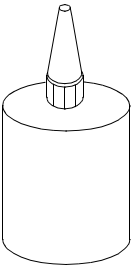
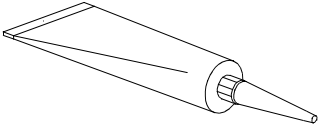
ID	P-code	Model	Type	Accessory	Voltage	Description
MODULE:Angle loading table 90° - LC 98						
28300	15613		27	98		"1"" 1/4x30 nylon elbow"
28305	15613/A		27	98		Fitting exauster
28310	3003024		27	98		Washer
28315	3003025		27	98		Bush
28320	3009250		27	98		Platform
28325	3009608		27	98		Leg assembly
28330	10200113		27	98		Floor drain
28335	10200114		27	98		Floor drain nut
28340	10200173		27	98		Gasket 75x58x2



00_001_e

Spare parts

ID	P-code	Model	Type	Accessory	Voltage	Description
MODULE:Baskets						
24600	C40		27			Place conveyor basket
24605	C41		27			Tight mesh conveyor basket for cutlery
24610	C47		27			Small 8 place cutlery basket
24615	C43		27			535mm tray conveyor basket
24620	C44		27			Mod.07 universal conveyor basket
24625	C112		27			5x5 vertical glass conveyor basket
24630	C113		27			4x4 vertical glass conveyor basket
24635	C114		27			6x6 vertical glass conveyor basket

 <p>24700</p>	 <p>24705</p>	 <p>24760</p>
 <p>24740</p> <p>24745</p> <p>24750</p>		 <p>24725</p>
 <p>24755</p>	 <p>24735</p>	 <p>24730</p>
 <p>24765</p>	 <p>24770</p>	 <p>24775</p>

Spare parts

ID	P-code	Model	Type	Accessory	Voltage	Description
MODULE:Accessory						
24700	---		27			Silicone UNI 9610 - UNI 9611
24705	---		27			Grease for higt temperatures CCIAA 629224
24705	---		27			Grease for food - Loctite 8104 Cat. N° 26560
24725	15613/A		27			Fitting exauster
24730	15613		27			"1"" 1/4x30 nylon elbow"
24735	10727		27			Exauster pipe Ø 24mm
24735	10200112		27			Exauster pipe Ø 32mm
24740	15750		27			20x2 self-stick mousse
24745	15751		27			20x4 self-stick mousse
24750	15752		27			60x2 self-stick mousse
24755	2907350		27			Flexible pipe EPDM Ø12
24755	2907352		27			Flexible pipe EPDM Ø12 - WRAS
24755	2907353		27			Flexible pipe EPDM Ø12
24760	2902050		27			Steel hose clamp 15/24
24760	11806		27			Steel hose clamp 25/40
24760	11810		27			Steel hose clamp 40/60
24760	11824		27			Steel hose clamp 50/70
24760	2902491		27			Steel hose clamp 60/80
24765	---		27			-50°C +150°C threads dope
24770	---		27			Loctite 542 Cat.N° 54246 - DIN-DVGW 86.02 e 125
24770	---		27			Loctite 243 Cat.N° 18937 - 19386
24775	---		27			Loctite 511 Cat.N° 24003 - DIN-DVGW 86.01 e 125
24775	---		27			Loctite 577 Cat.N° 25392