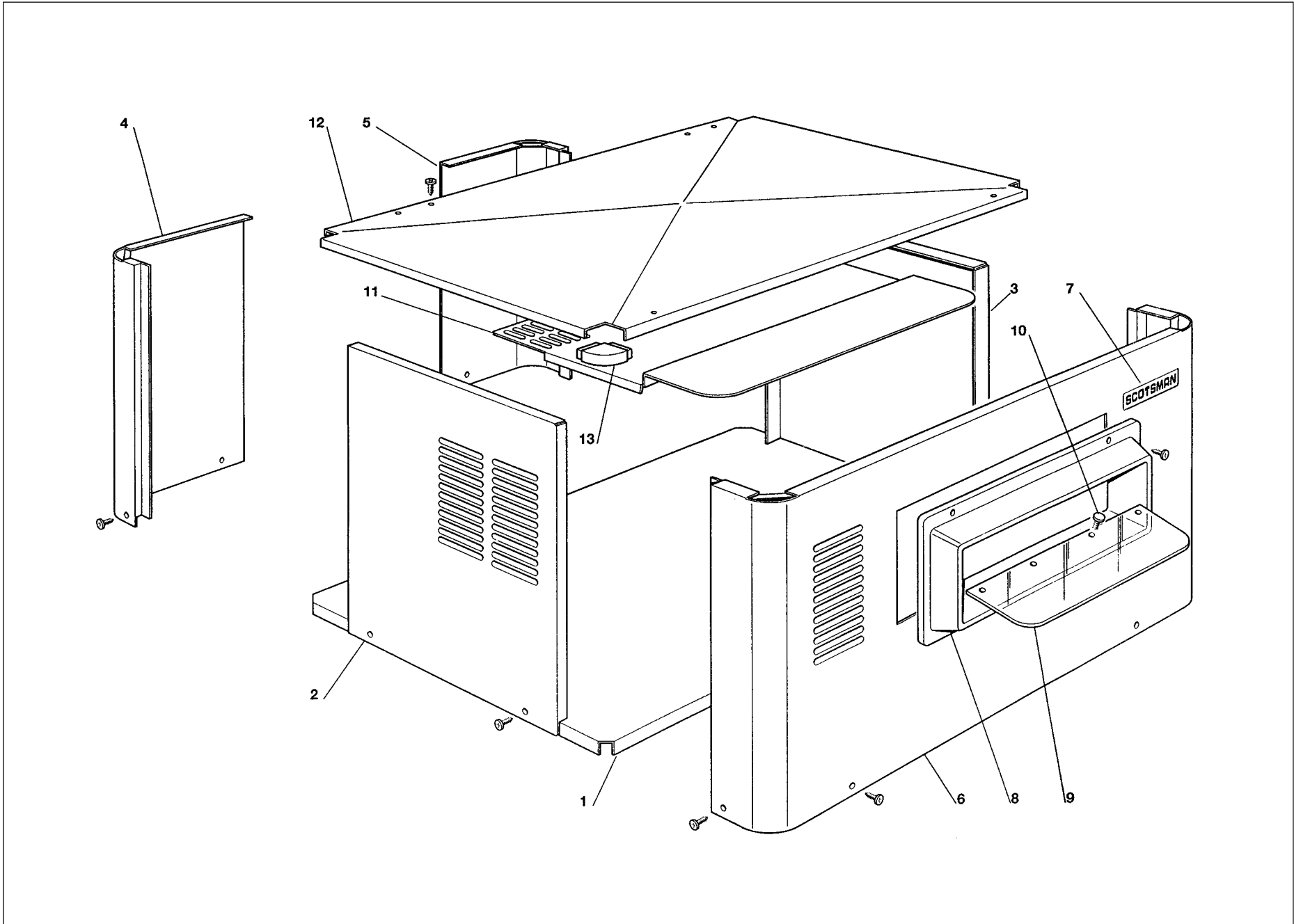


MAR1400 and MAR2000

SERVICE PARTS

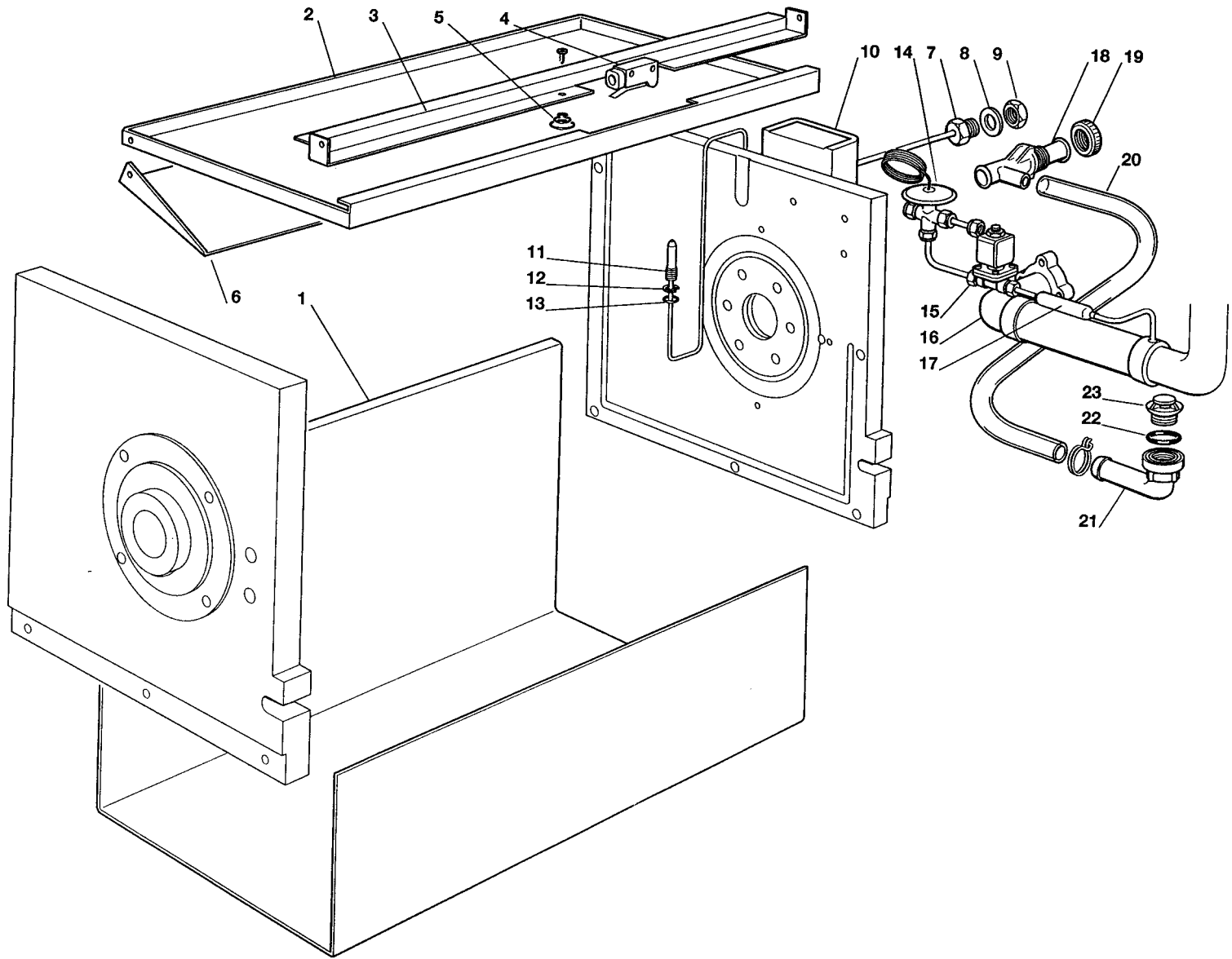
Table of Contents

Cabinet	Pages 2 - 3
Basin and Refrigeration System	Pages 4 - 5
Evaporator System	Pages 6 - 8
Control System	Pages 9 - 10
Wiring Diagrams	Pages 11 - 12



MAR1400 and MAR2000**- UNIT PANELS - ASSIEME MOBILE - ENS. CARROSSERIE - MACHINE GEHAUSE**

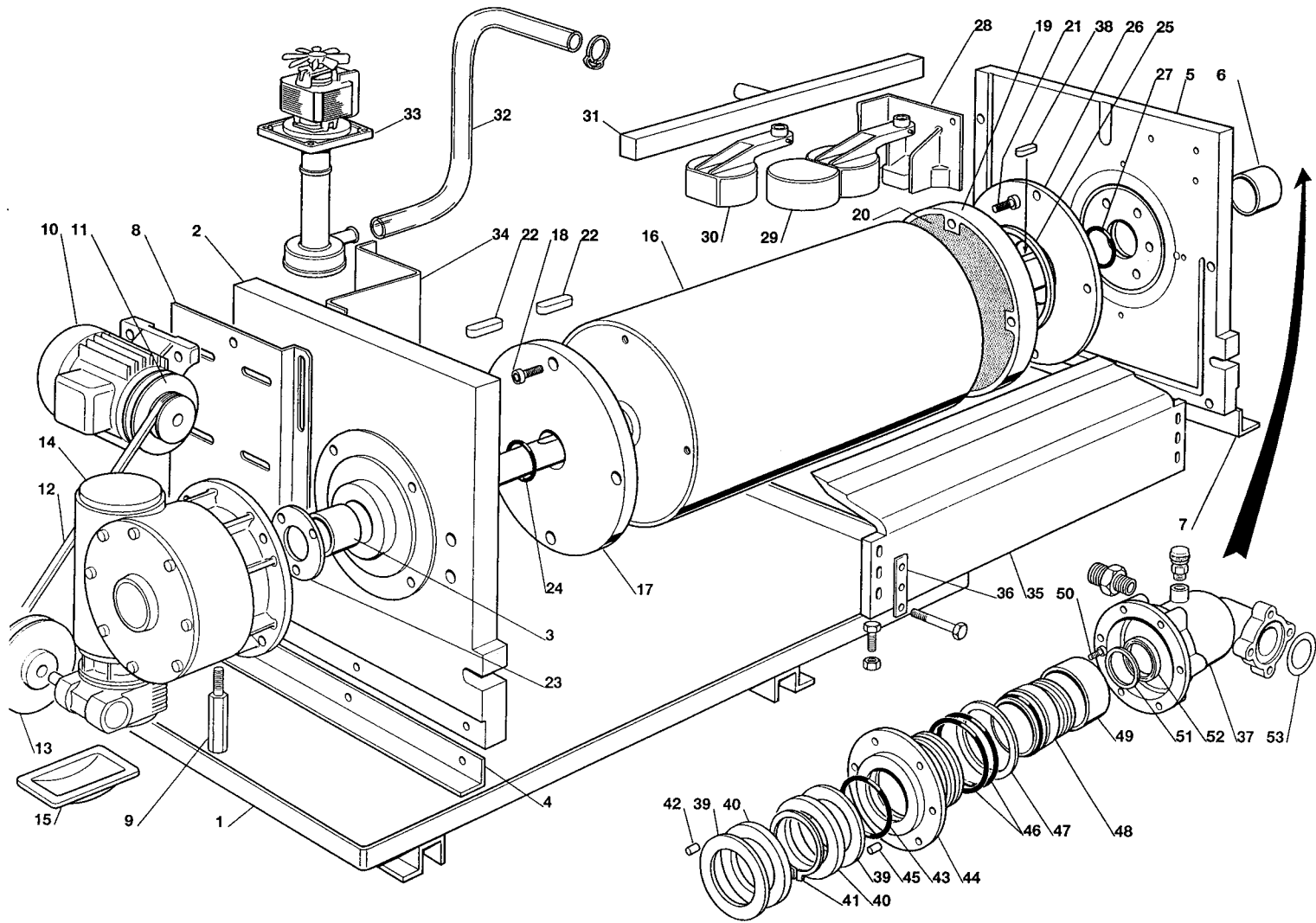
ITEM NO	PART NO				
POS NO	CODICE				
REP. NO	REFERENCE	DESCRIPTION	DESCRIZIONE	DESIGNATION	BESCHREIBUNG
REF. NO	STUECK NR				
1	M784500-00	UNIT BASE	BASAMENTO	BASEMENT	CHASSIS RAHMENGEHÄUSE
2	M721722-00	LEFT SIDE PANEL	PANN. LAT. SIN.	PANNEAU GAUCHE	LINKE AUSSENWAND
3	M721723-02	RIGH PANEL	PANNELLO DESTRO	PANNEAU DROITE	RECHTE SEITENWAND
4	M784501-00	REAR PANEL LEFT	PANNELLO POSTERIORE SX	PANNEAU ARRIERE	REUCKWAND
5	M784502-00	REAR PANEL RIGHT	PANNELLO POSTERIORE DX	PANNEAU ARRIERE	REUCKWAND
6	M784503-00	FRONT PANEL	PANNELLO FRONTALE	PANNEAU AVANT	VORDERWAND
7	M660614-00	SCOTSMAN LOGO	EMBLEMA SCOTSMAN	EMBLÈME SCOTSMAN	SCOTSMAN ZEICHEN
8	M660478-02	SPOUT OPENING FRAME	CARTER BOCCA USCITA GHIACCIO	CARTER GOULOTTE SORTIE GLACE	TRICHTEREINHEIT
9	M741101-03	CHUTE	SCIVOLO	GLISSIERE	EISRUTSCHEN
10	M650595-00	BUTTON FOR CHUTE	BOTTONE PER SCIVOLO	BOUTON FIX. GLISSIERE	RUTSCHENKNOPFCHEN
11	M721725-00	EVAPORATOR COVER	COPERCHIO EVAPORATORE	COUVERCLE ÉVAPORATEUR	VERDAMPFERDECKEL
12	M721724-00	TOP PANEL	PANNELLO SUPERIORE	PANNEAU DESSUS	ABDECKHAUBE
13	M660671-00	TOP PLASTIG PLUG	TAPPO IN PLASTICA	CAPUCHON EN PLASTIQUE	PLASTIKPROPFEN



MAR 1400 and MAR2000 - BASIN AND REF. SYSTEM - CORPO VASCA E SISTEMA REFRIGERANTE

CUVE ET CIRCUIT FRIGORIFIQUE - WASSERBAND BANDE / GEFRIERSYSTEM

ITEM NO	PART NO				
POS NO	CODICE				
REP. NO	REFERENCE	DESCRIPTION	DESCRIZIONE	DESIGNATION	BESCHREIBUNG
REF. NO	STUECK NR				
1	M724263-06	BASIN BODY	CORPO VASCA	PARTIE CENTRALE DE CUVE	WASSERBAD BANDEN
2	M724276-01	PRESSURE PLATE	PIASTRA DI PRESS.	PLAQUETTE DE PRESSION	DRUCKPLATTE
3	M724292-00	SPOUT SWITCH BRACKET	SUPPORTO MICROINTERRUTTORE	SUPPORT MICRO GOULOTTE	MICRO SCHALTER ANLAGE
4	M620366-00	SPOUT SWITCH	MICRO-BOCCHETTA	MICRO-GOULOTTE	FEDER
5	M650161-01	SPRING	MOLLETTA	RESSORT	FEDER
6	M724278-00	DEFLECTOR	DEFLETTORE	DEFLECTEUR	EISDEFLEKTOR
7	M733205-02	WATER INLET FITTING	RACC. ENTRATA ACQUA	RACCORD D'ARRIVÉE D'EAU	WASSEREINLAUF
8	M400031-00	GASKET	GUARNIZIONE	JOINT DE SERRAGE	DICHTUNG
9	M400030-01	NUT	DADO	ECROU	MUTTER
10	M620241-00	WATER PRESS. CONTROL	PRESSOSTATO ACQUA	PRESSOSTAT D'EAU	WASSERDRUCKSCHALTER
11	M783165-10	WATER INLET ASSY	ASSIEME ENTRATA ACQUA	ENS. ARRIVEE EAU	WASSEREINLAUF
12	M460038-02	O RING	GUARNIZIONE OR	JOINT TORIQUE	O RING
13	M640100-00	CLIP RING	ANELLO SEEGER	CLIP	CIRCLIP RING
14	M620427-55	EXPANSION VALVE FRESH WATER	VALV. DI ESPANSIONE - ACQUA DOLCE	DETENDEUR - EAU DOUCE	EXPANSION VENTIL. - SUSS WASSER
15	M620306-07	VALVE BODY	CORPO VALVOLA	CORP VANNE GAZ CHAUD	HEISSGAZ VENTILGEHÄUSE
	M620306-48	VALVE COIL	BOBINA VALVOLA	BOBINE VANNE GAZ CHAUD	HEISSGAZ VENTILSPULE
16	M620317-00	HEAT EXCHANGER	SCAMBIATORE DI CALORE	EXCHANGEUR DE CHALEUR	WARMETAUSCHER
17	M630117-00	MECHANICAL FILTER	FILTRO MECCANICO	FILTRE MECHANIQUE	MECHANISCH FILTERN
18	M660224-00	WATER OUTLET FITTING	RACC. SCARICO ACQUA	RACCORDO EVAC. D'EAU	WASSERABFLUSS
19	M400070-00	PLASTIC RING NUT	GHIERA IN PLASTICA	COLLIER DE SERRAGE EN PLASTIQUE	PLASTIKRINGMUTTER
20	M610148-10	DRAIN TUBE	TUBO SCARICO	TUYAU D'EVACUATION	WASSERABFLUSSROHR
21	M660213-00	WATER DRAIN FITTING	RACC. SCARICO BACINELLA	RACC. EVAC. D'EAU	TROPFFANNE
22	M640134-00	O RING	ANELLO OR	JOINT TORIQUE	SIMMERING
23	M660211-00	MALE FITTING	RACC. MASCHIO	RACC. MALE	ZAPFEN



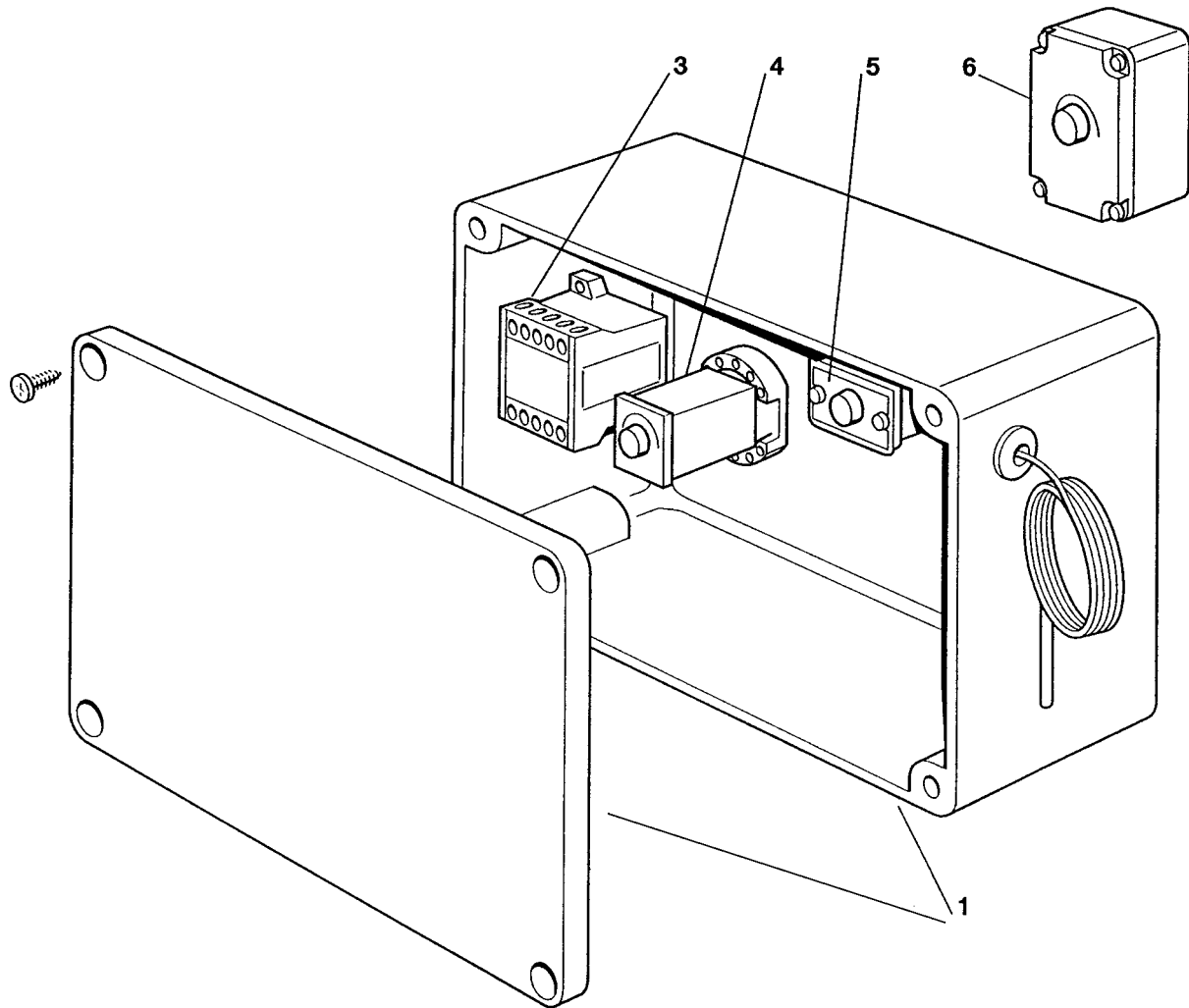
MAR1400 and MAR2000 - Evaporator and Gear Reducer Assembly

ASSIEME EVAPORATORE/RIDUTTORE - ENS. EVAPORATEUR ET REDUCTEUR - VERDAMPFER UND GETRIEBE EINHEIT

ITEM NO	PART NO	DESCRIPTION	DESCRIZIONE	DESIGNATION	BESCHREIBUNG
POS NO	CODICE				
REP. NO	REFERENCE				
REF. NO	STUECK NR				
1	M781376-03	UNIT BASE	BASAMENTO	BASEMENT	CHASSIS
2	M742108-00	BASIN SIDE - GEAR SIDE	FIANCO VASCA - LATO RIDUTT.	PARTIE DROITE DE CUVE	WASSERBAD RECHTENSEITE
3	M651060-00	BUSHING	BRONZINA	BAGUE	SHAFT LAGER
4	M742274-00	METAL BRACKET	SUPPORTO METALLO	PLAQUE SUPPORT	PLATTE
5	M742129-00	BASIN SIDE - REFR. SIDE	FIANCO VASCA - LATO REFR.	PARTIE GAUCHE DE CUVE	WASSERBAD LINKENSEITE
6	M651060-02	BUSHING	BRONZINA	BAGUE	SHAFT LAGER
7	M724274-00	METAL BRACKET	SUPPORTO METALLO	PLAQUE SUPPORT	PLATTE
8	M784350-06	MOTOR BRACKET	SLITTA SUPPORTO MOTORE	COULISSEU PORTE MOTEUR	ANTRIEBSMOTORANLAGE SCHLI
9	M733211-00	BELT TIGHTNER	TENDICINGHIA	COULISSEU PORTE MOTEUR	ANTRIEBSMOTORANLAGE SCHLITTEN
10	M620316-05	DRIVE MOTOR - 230/60/1	MOTORE AZIONAMENTO - 230/60/1	MOTEUR D'ENTRAINEMENT - 230/60/1	ANTRIEBS MOTOR - 230/60/1
11	M734597-31 M650879-05*	M PULLEY- 1400	PULEGGIA -	POULIE -	RIEMEN -
	M734597-46 M650879-07*	M PULLEY - 2000	PULEGGIA -	POULIE -	RIEMEN -
12	M650422-22 (z33) M650422-18 (z35)	DRIVE BELT -	CINGHIA TRASM. -	COURROIE -	KIELRIEMEN -
13	M734597-27 M650879-10*	GM PULLEY	PULEGGIA -	POULIE -	RIEMEN -
14	M620377-04	GEAR REDUCER	RIDUTTORE	BOITE REDUCTEUR	GETRIEBE
15	-	SINK	BACINELLA	PLASTIC CUVETTE	
16	M784353-02	EVAP. DRUM ASSY	ASSIEME TAMBURO EVAP.	ENSEMBLE TAMBOUR EVAP.	KOMPLETT VERDAMPFER
17	M742111-00	FLANGE - GEAR SIDE	FLANGIA - LATO RIDUTTORE	FLASQUE COTÈ REDUCTEUR	FLANSCH RECHTENSEITE
18	M420014-10	SCREW	VITE	VIS	SCHRAUBE
19	M742110-00	FLANGE - REFRIG. SIDE	FLANGIA - LATO REFRIGER.	FLASQUE - COTÈ REFRIGER.	FLANSCH - LINKEINSEITE
20	M650615-00	INSULATION	ISOLAMENTO	ISOLATION	ISOLIERUNG
21	M420014-09	SCREW	WITE	VIS	SCHRAUBE
22	M741092-04 M741092-03	1400 Fiber key 2000 Fiber key	1400 Chiavetta 2000 Chiavetta	1400 Clavette 2000 Clavette	1400 Entriebs Keil 2000 Entriebs Keil

* Cast iron pulleys, do not mix with prior aluminum

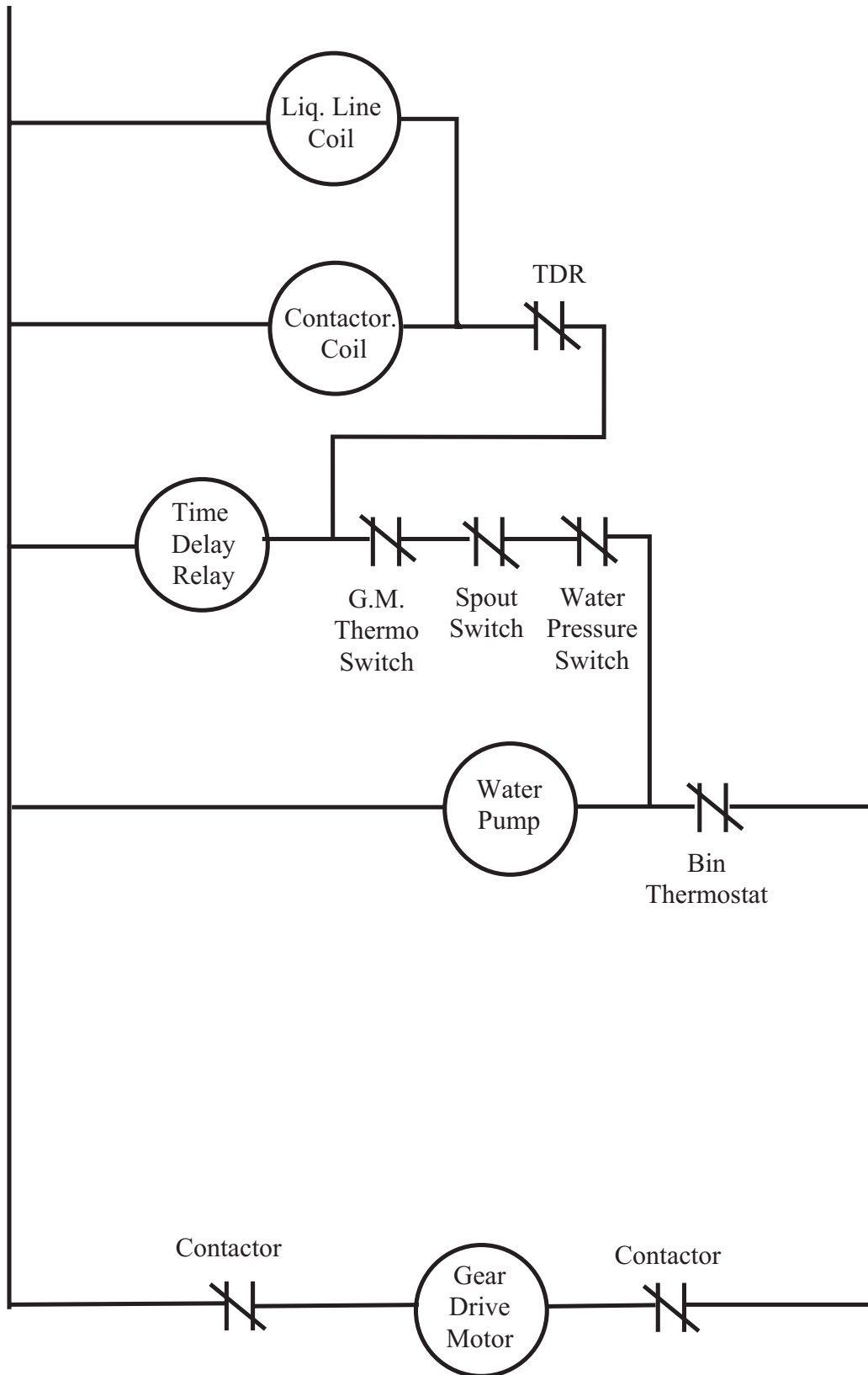
23	M724254-05	FLANGE	FLANGIA	FLASQUE	FLANSCH
24	M640041-18	O RING	GUARNIZIONE OR	JOINT TORIQUE	O RING
25	M640107-00	RING GASKET W/SPRING	GUARNIZIONE CON MOLLA	JOINT PAULSTRA	DICHTUNG RING & FEDER
26	M742112-00	FLANGE	FLANGIA	FLASQUE	FLANSCH
27	M640041-19	O RING	GUARNIZIONE OR	JOINT TORIQUE	O RING
28	M743128-02	FLOAT VALVE BRACKET	SUPPORTO GALLEGGIANTE	SUPPORT FLOTTEUR	SCHWIMMERTRÄGER
30	M660585-00	FLOAT VALVE	ASS. GALLEGGIANTE	ENS. FLOTTEUR	SCHWIMMER
31	M650379-00 M650760-00	WATER DISTRIB. TUBE Front water distributor tube, MAR2000 only	TUBO DI DISTRIBUZIONE	ROMPE A EAU	WASSERVERSORGUNGSROH R
32	M610169-05	PLASTIC TUBE	TUBO IN PLASTICA	TUYAU EN PLASTIQUE	PLASTIKROHR
33	M620433-06	WATER PUMP ASSY	ASSIEME POMPA	ENSAMBLE POMPE A EAU	WASSER PUMPE
34	M781417-00	PUMP GUARD	CARTER POMPA	SUPPORT DU POMPE	PUMPENTRÄGER
35	M723123-08	SCRAPING BLADE	ASS. LAMA	ENS. COUPEAU	EISRADIERUNGLINGE
36	M721341-02	PLATE	PIASTRINA	PLAQUETTE	PLATTE
37	M743127-01	REFRIGERAN T MANIFOLD	COLLETTORE REFRIGERANTE	COLLECTEUR REFRIGERANT	EINSAMMLER
38	M724260-00	KEY	CHIAVETTA	CLAVETTE	ANTRIEBESCHLUESSE
39	M724257-00	SPACER	DISTANZIERE	ENTRETOISE	ENTFERNSTUECK
40	M651061-00	WASHER	RONDELLA DI BASAMENTO	RONDELLE	SCHEIBE
42	M723133-00	PARALLEL PIN	SPINA CILINDRICA	GOUPILLE CYLINDRIQUE	STIFT
43	M640041-13	O RING	GUARNIZIONE OR	JOINT TORIQUE	O RING
44	M724307-00	GRAPHITIC RING HOUSING	ANELLO DI ALLOGGIAMENTO	ANNEAU LOGEMENT	RUNG FUER GRAPHITIC DICHT.
45	M723133-00	PARALLEL PIN	SPINA CILINDRICA	GOUPILLE CYLINDRIQUE	STIFT
46	M640041-10	O RING	GUARNIZIONE OR	JOINT TORIQUE	O RING
47	M640101-00	GASKET	GUARNIZIONE	JOINT	DICHTUNG
48	M001028-05	SEAL MECHANISM KIT	KIT TENUTA MECCANICA	KIT GARNITURE D'ETANCHEITE	KIT GEFRIERMITTEL DICHTUNG
49	M724308-00	SPACER RING	ANELLO DISTANZIERE	BAGUE ENTRETOISE	ENTFERNENSTUECK
50	M420014-08	SCREW	VITE	VIS	SCHRAUBE
51	M724256-01	WASHER	RONDELLA	RONDELLE	SCHEIBE
52	M640096-00	GASKET	GUARNIZIONE	JOINT	DICHTUNG
53	M640076-09	GASKET	GUARNIZIONE	JOINT	DICHTUNG



MAR1400 AND MAR2000 - CONTROL BOX - SCATOLA DI CONTROLLO - BOITE ELECTRIQUE - SCHALTSCHRANK

ITEM NO POS NO REP. NO REF. NO	PART NO CODICE REFERENCE STUECK NR	DESCRIPTION	DESCRIZIONE	DESIGNATION	BESCHREIBUNG
1-2	M630111-07	BOX WITH COVER	SCATOLA CON COPERCHIO	BOITE AVEC COUVERCLE	KASTEN MIT DECKEL
3	M630119-02	CONTACTOR	TELERUTTORE	CONTACTEUR	MAGNETSCHALTER
4	M620445-02	TIME DELAY	RITARDATORE	RETARDATEUR	VERZOGERT ZEITUHR
5	M620263-03	ICE STORAGE LEVEL	CONTROLLO LIVELLO GHIACCIO	CONTROL DE NIVEAU GLACE	EISNIVEAU KONTROLL
6	M060547-00	TIMER UNIT CONTROL (OPTIONAL)	TEMPORIZZATORE (OPTIONAL)	PROGRAMMATEUR DE FONCT.	STEUERUNGZEITHUR

MAR1400 and MAR2000 Schematic Diagram



Schematic Shown in Ice Making Mode

WIRING DIAGRAM (MACHINE OPERATING)

B	WHITE	BLANC	BIANCO
A	BLUE	BLUE	AZZURRO
N	BLACK	NOIRE	NERO
G-V	YELLOW-GREEN	JAUNE-VERT	GIALLO-VERDE

MAR-SPLIT UL

