



**TB 852**

# LIST OF THE EXPLODED VIEWS



*SHELL ASSY*

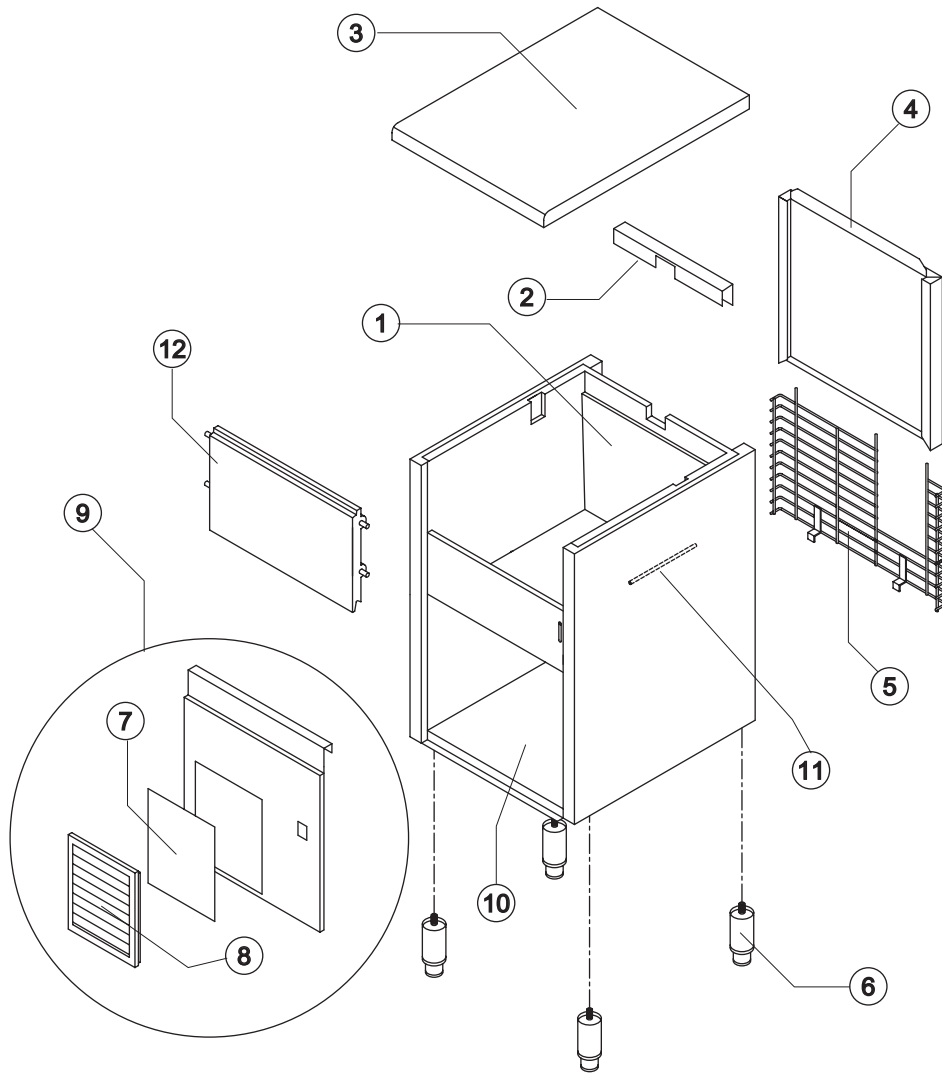
*COOLING SYSTEM*

*EVAPORATOR*

*HYDRAULIC CIRCUIT*

*ELECTRIC PARTS*

Rev. 0 - 23/04/2009



Ref.	Spare Description	Code
1	Foamed Cabinet Assy	See Table
2	Cover for Ice Exhaust	221103
3	Top Assembly	C22689
4	Rear Panel Assembly	C21215
5	Rear Grid	D12014
6	Adjustable Stainless Steel Foot	20613
7	Filtering Panel	18106
8	Frame + Grid & Filter	C10205
9	Front Grid Panel	C22507
10	Base Plate	21283
11	Bulbe-holder Pipe	20521
12	Door Assy	C10297

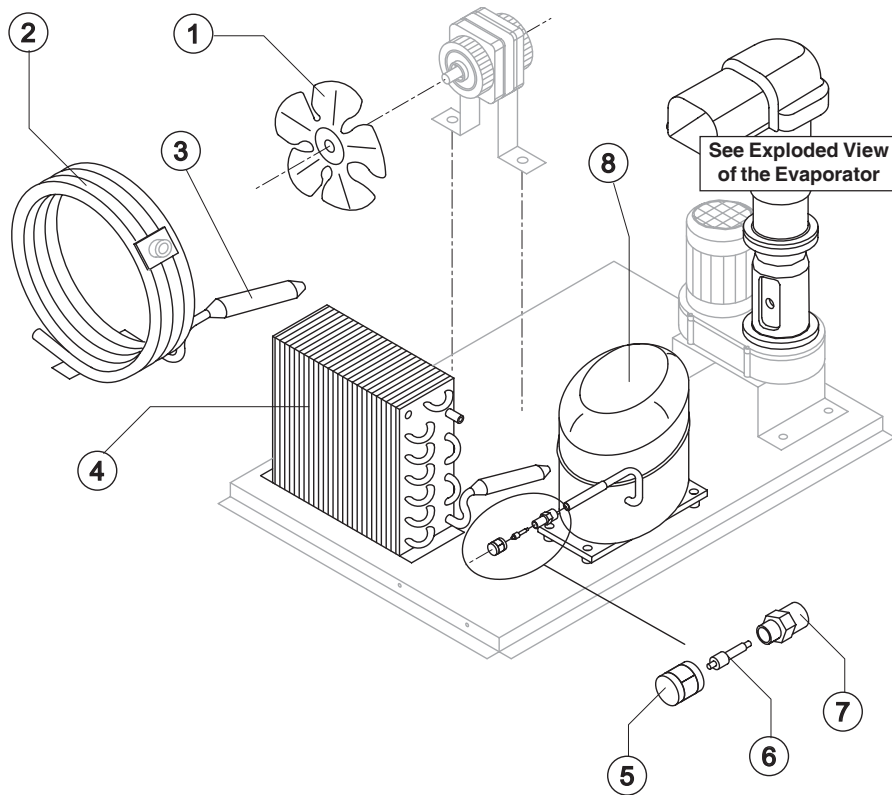
### Ref. 1 - Foamed Cabinet Assy

Condensation	Code
Air	C11153A
Water	C11153W



# TB 852

# COOLING SYSTEM



### Common Parts

Ref.	Spare Description	Code
3	Molecular Drier	14009
5	Vacuum-Charge Valve Plug	14006
6	Vacuum-Charge Valve Device	14005
7	Vacuum-Charge Valve Body	14007
8	Compressor	23441

### Parts for Air-Cooled Version Only

Ref.	Spare Description	Code
1	Sucking Fan	20096
4	Air Condenser	20283

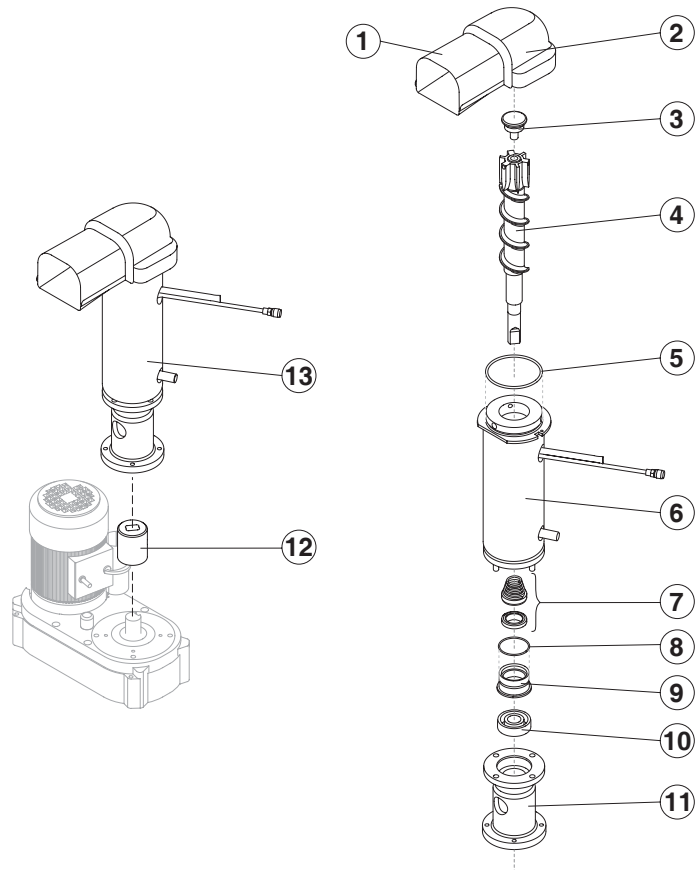
### Parts for Water-Cooled Version Only

Ref.	Spare Description	Code
1	Sucking Fan	10213
2	Water Condenser	14057



# TB 852

# EVAPORATOR



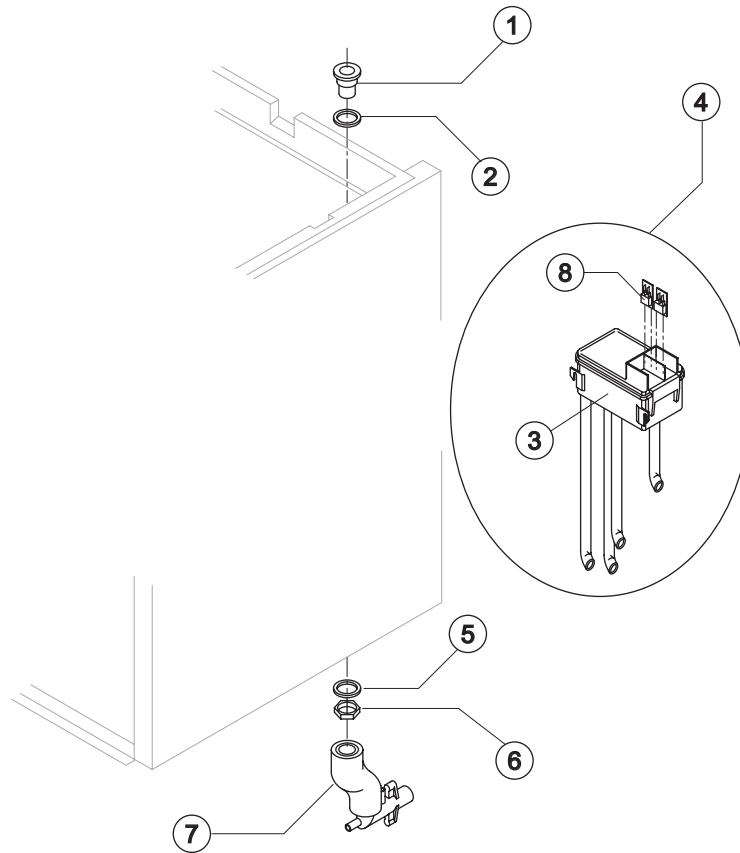
Ref.	Spare Description	Code
1	Ice Exhaust	C10556
2	Insulating cap	18208
3	Ice Breaker	20915
4	Auger + Extruder	C20918
5	OR Gasket 4325	20931
6	Insulated Evaporator	C11158
7	Ceramic Seal	20937
8	OR Gasket 3162 NBR70	20429
9	Reduction Ring	20785
10	Stainless Steel Bearing	20917
11	Flange	20916
12	Joint	D20630
13	Evaporator Assy	C11154

Rev. 0 - 23/04/2009



# TB 852

## HYDRAULIC CIRCUIT



### Common Parts

Ref.	Spare Description	Code
1	Water Outlet Nipple	10472
2	Silicone Gasket	13006
3	Double Switch Basin	10145
4	Double Switch Basin Assembly	C10164GB
5	Semirigid Polyethylene Gasket	13007
6	Bin Discharge Nut	10096
8	Microswitch	23055

### Parts for Air-Cooled Version Only

Ref.	Spare Description	Code
7	Discharges Manifold	C10235

### Parts for Water-Cooled Version Only

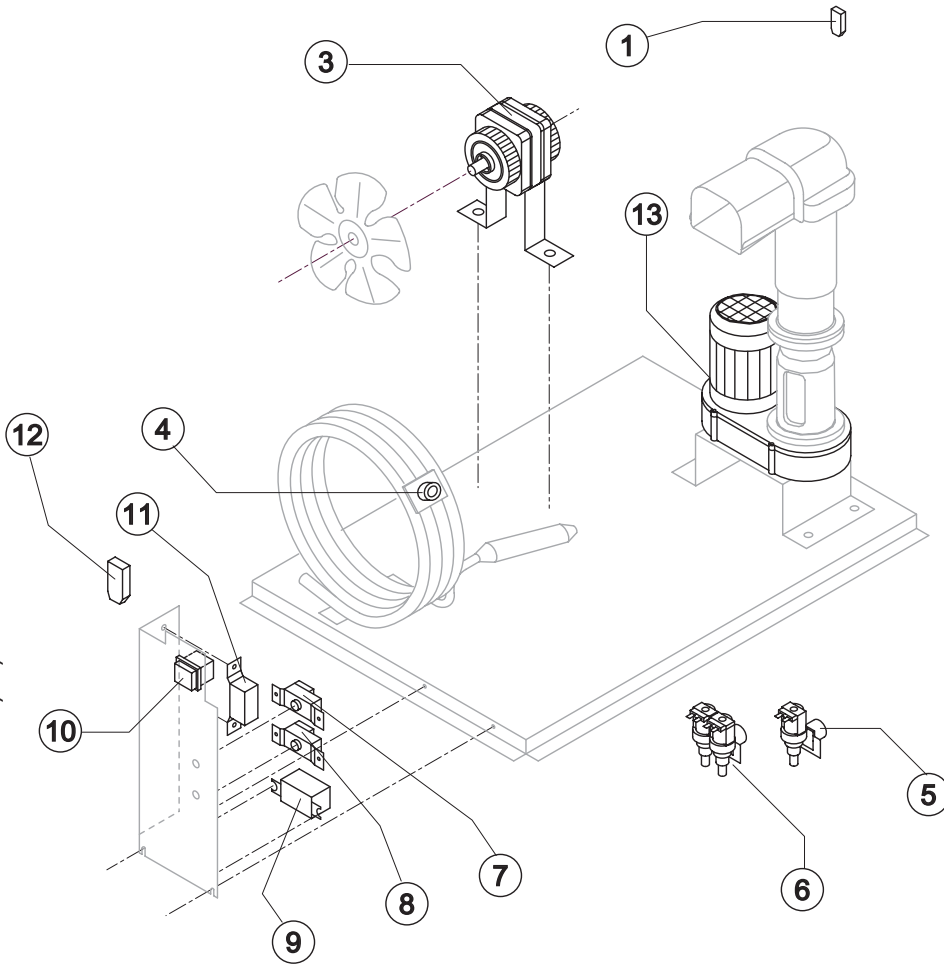
Ref.	Spare Description	Code
7	Discharges Manifold	C10240

Rev. 0 - 23/04/2009



# TB 852

## ELECTRIC PARTS



### Common Parts

Ref.	Spare Description	Code
1	Anti Radio Interference Filter	C23457
3	Fan Motor	23029
7	Bin Thermostat	R23005
8	Evaporator Thermostat	R23034
9	Relay	23190
10	Green Light Switch (On-Off)	23327
11	Condenser Pressure Switch	23175
12	Anti Radio Interference Filter	C23459
13	Gearmotor	23532

### Parts for Air-Cooled Version Only

Ref.	Spare Description	Code
5	1 Way- Water Inlet Valve	23115

### Parts for Water-Cooled Version Only

Ref.	Spare Description	Code
4	Safety Thermostat	C23114
6	2 Ways- Water Inlet Valve	23116

Rev. 0 - 23/04/2009