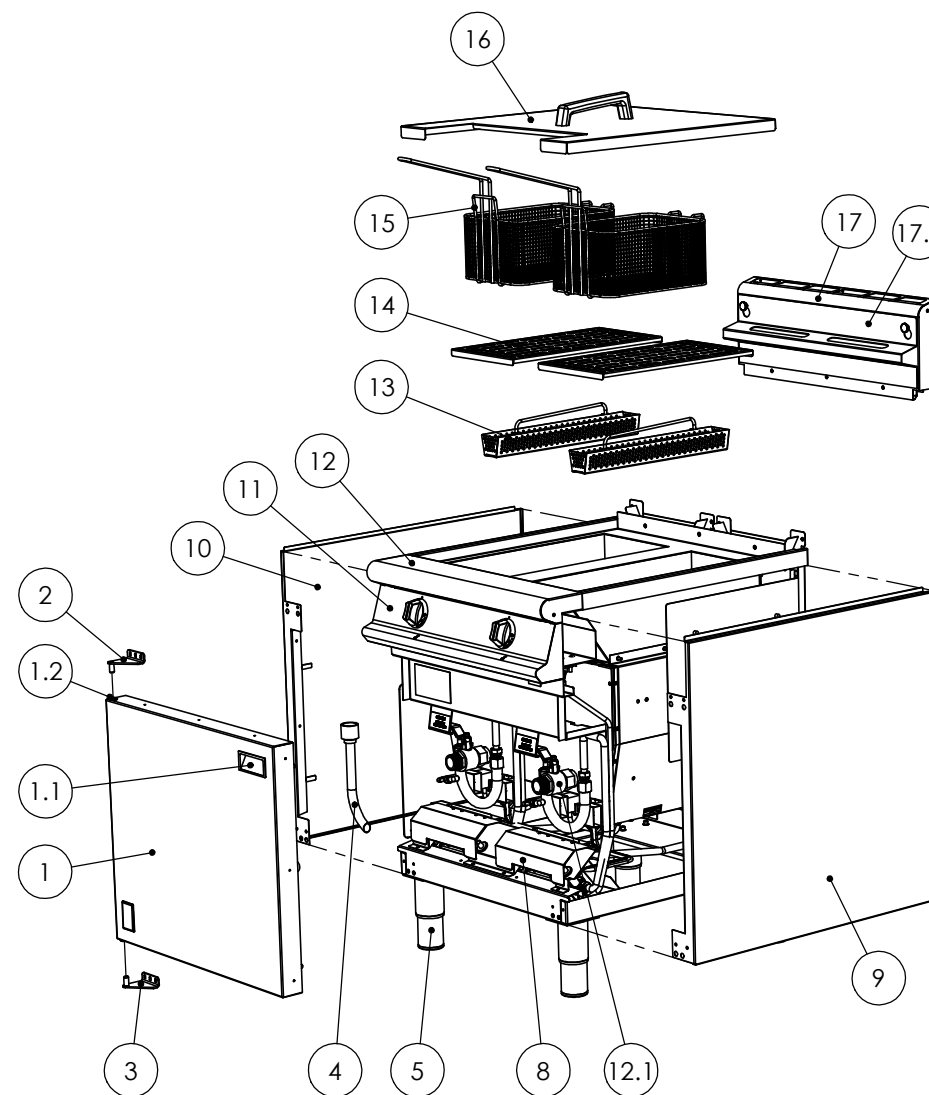


DOMINATOR PLUS

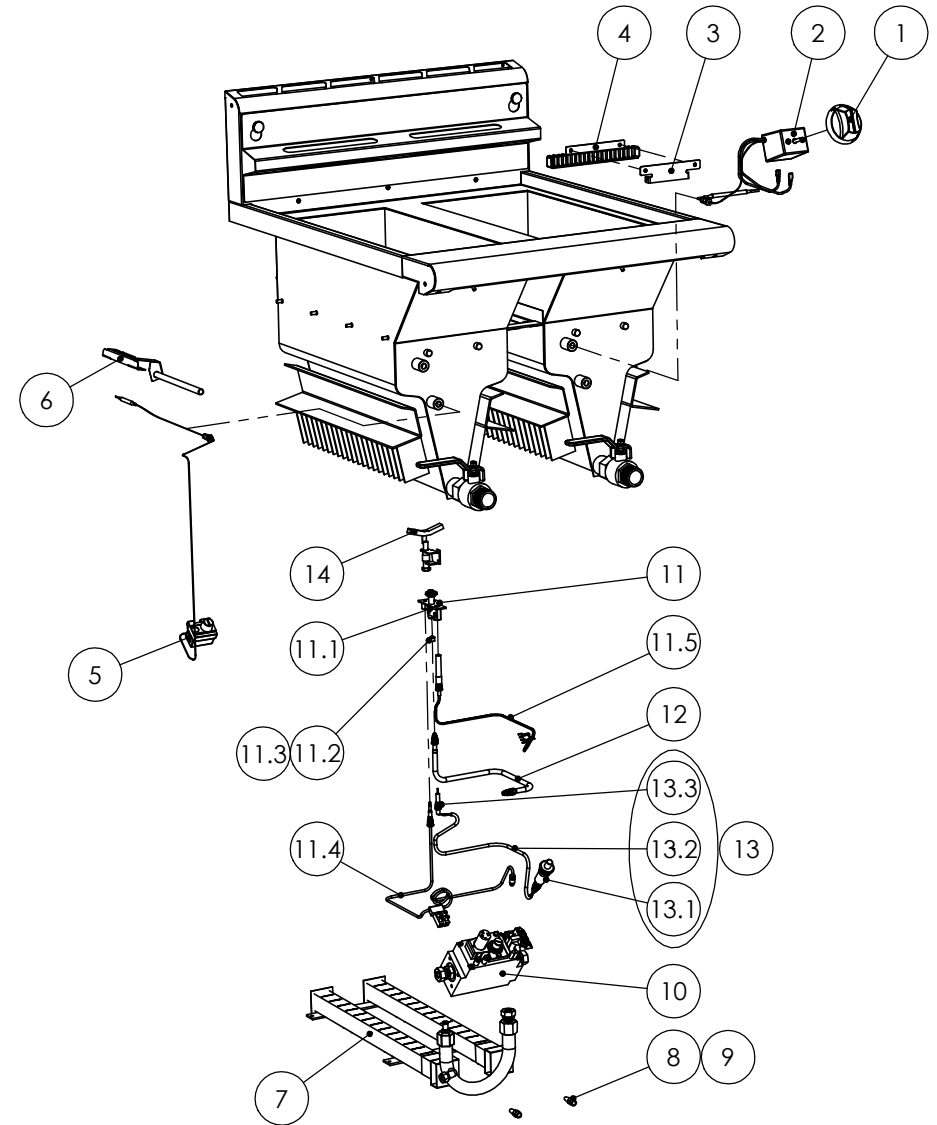
| ITEM | DESCRIPTION | SPARES No |
|------|---|-----------|
| 1 | DOOR ASSEMBLY | 535680002 |
| 1.1 | DOOR HANDLE | 736010020 |
| 1.2 | DOOR HINGE BUSH (x2) | 536060036 |
| 2 | DOOR HINGE - TOP | 535200006 |
| 3 | DOOR HINGE - BOTTOM | 535200007 |
| 4 | DRAIN TUBE ASSEMBLY | 535710015 |
| 5 | ADJUSTABLE FOOT | 535290028 |
| 6 | CASTOR - BRAKED (x2) - NOT SHOWN | 536430110 |
| 7 | CASTOR - FIXED (x2) - NOT SHOWN | 536470013 |
| 8 | GAS VALVE COVER C/W HINGES | 535670003 |
| 9 | OUTER SIDE PANEL - RH | 535670004 |
| 10 | OUTER SIDE PANEL - LH | 535670005 |
| 11 | CONTROL PANEL | 535690002 |
| 12 | HOB/PAN ASSEMBLY C/W INSULATION & DRAIN VALVE | 535690003 |
| 12.1 | DRAIN VALVE ASSEMBLY | 535670008 |
| 13 | PAN STRAINER | 535670009 |
| 14 | FISH PLATE | 535710022 |
| 15 | BASKET | 531302010 |
| 16 | DUST COVER | 535680006 |
| 17 | FLUE ASSEMBLY | 535690004 |
| 17.1 | BASKET HANGER | 535680008 |



| Issue | Alteration | Date | Product | Document Reference |
|-------|---------------|----------|---------|--------------------|
| A | Initial Issue | 09/08/11 | G3865 | AD48881 |

DOMINATOR PLUS

| ITEM | DESCRIPTION | SPARES No |
|------|--|-----------|
| 1 | CONTROL KNOB | 535670013 |
| 2 | OPERATING THERMOSTAT | 535670014 |
| 3 | OPERATING STAT PHIAL MOUNT BRACKET | 535670015 |
| 4 | OPERATING STAT PHIAL COVER | 535670016 |
| 5 | SAFETY THERMOSTAT | 535670017 |
| 6 | SAFETY STAT PHIAL MOUNT BRACKET | 535670018 |
| 7 | BURNER ASSEMBLY (NO INJECTORS) | 535670019 |
| 8 | BURNER INJECTORS (x2) - NAT GAS | 535670020 |
| 9 | BURNER INJECTORS (x2) - PROPANE | 535670021 |
| 10 | GAS CONTROL VALVE C/W FITTINGS - NAT & PROPANE | 535670022 |
| 11 | PILOT ASSEMBLY - NAT & PROPANE | 535670023 |
| | 11.1 3 FLAME PILOT | 530760007 |
| | 11.2 PILOT INJECTOR - NAT GAS | 537350013 |
| | 11.3 PILOT INJECTOR - PROPANE | 537350014 |
| | 11.4 THERMOCOUPLE | 535670024 |
| | 11.5 THERMOPILE | 537350005 |
| 12 | PILOT PIPE C/W FITTINGS | 535670025 |
| 13 | SPARK IGNITOR ASSEMBLY | 535670026 |
| | 13.1 SPARK IGNITOR | 537350029 |
| | 13.2 SPARK IGNITOR CABLE | 535710115 |
| | 13.3 SPARK ELECTRODE | 537350007 |
| 14 | CROSS LIGHTER ASSEMBLY - NAT & PROPANE | 535670027 |
| | 14.1 CROSS LIGHTER INJECTOR - NAT GAS | 535710091 |
| | 14.2 CROSS LIGHTER INJECTOR - PROPANE | 531300070 |



CONTROLS ARE THE SAME FOR BOTH SIDES OF APPLIANCE



| Issue | Alteration | Date | Product | Document Reference |
|-------|---------------|----------|---------|--------------------|
| A | Initial Issue | 09/08/11 | G3865 | AD48882 |