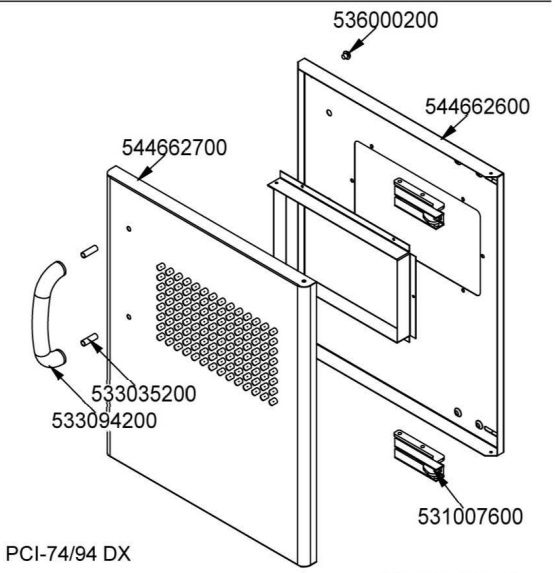
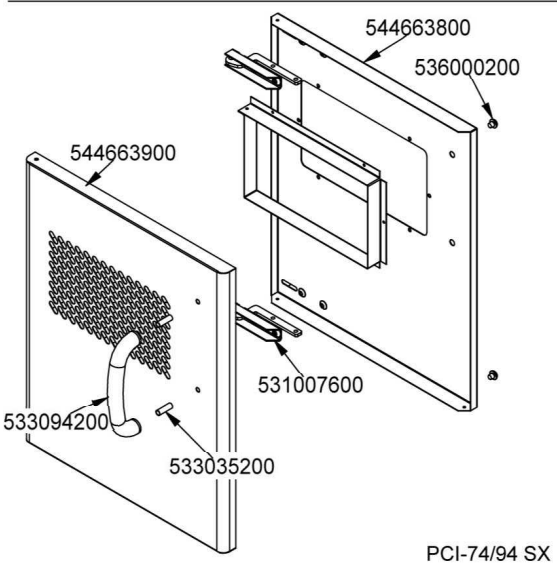
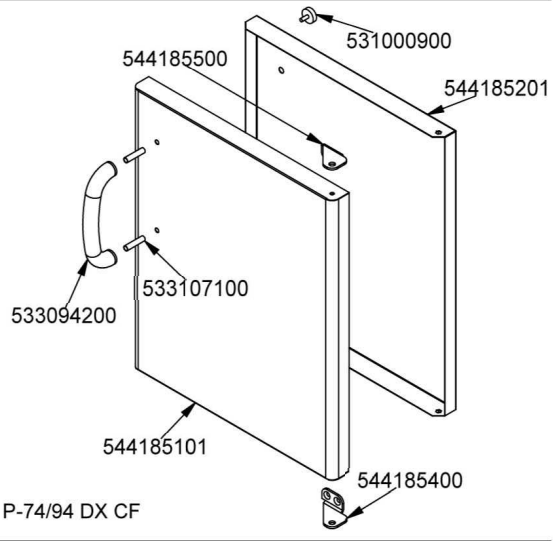
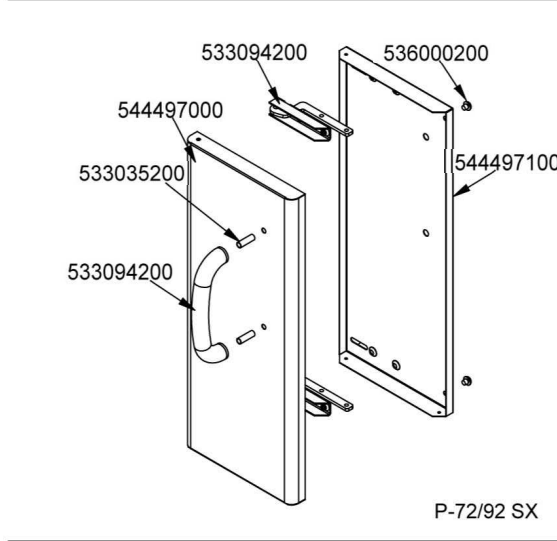
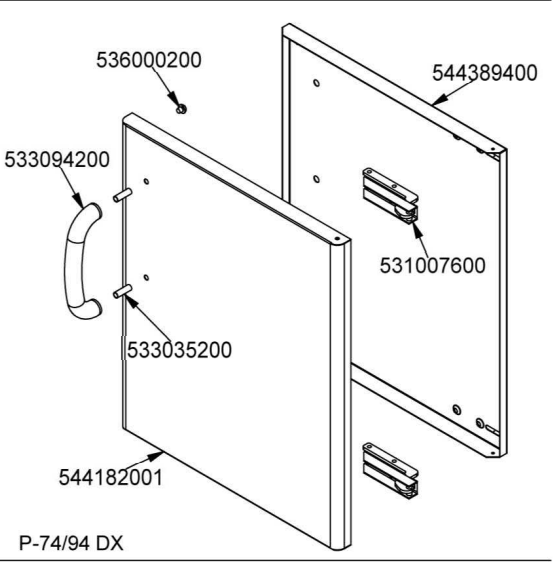
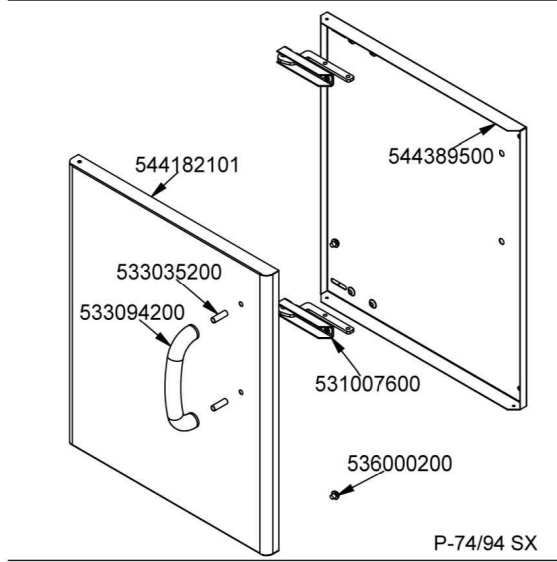
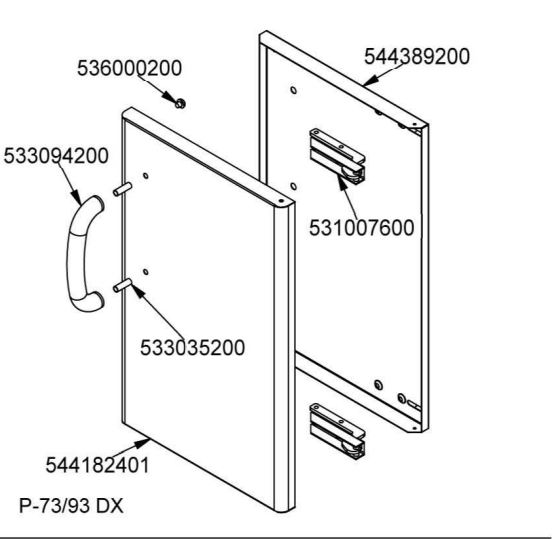


| BRF-74G | * | ** | *** | **** |
|------------------------------|-----------|-----------|-----------|-----------|
| G30-28+30mbar G31- 37mbar | 533020800 | 533057600 | 533069500 | 531033900 |
| G30- 50mbar | 533020800 | 533057700 | 533069700 | 531031600 |
| G20- 20mbar G25- 25mbar | 533020300 | 533057800 | 533069500 | 531033900 |
| G20- 20mbar DE-AT | 533020300 | 533057800 | 533069700 | 531031600 |
| G25- 20mbar | 533020300 | 533058000 | 533069700 | 531031600 |
| G25- 25mbar NL | 533020300 | 533057900 | 533069500 | 531033900 |
| G20- 25mbar | 533020300 | 533109100 | 533069500 | 531033900 |

| BRF-78G | * | ** | *** | **** |
|------------------------------|-----------|-----------|-----------|-----------|
| G30-28+30mbar G31- 37mbar | 533020800 | 533058100 | 533097500 | 531044400 |
| G30- 50mbar | 533020800 | 533058200 | 533097400 | 531044300 |
| G20- 20mbar G25- 25mbar | 533020300 | 533058300 | 533097500 | 531044400 |
| G20- 20mbar DE-AT | 533020300 | 533058300 | 533097400 | 531044300 |
| G25- 20mbar | 533020300 | 533058500 | 533097400 | 531044300 |
| G25- 25mbar NL | 533020300 | 533058400 | 533097500 | 531044400 |
| G20- 25mbar | 533020300 | 533109200 | 533097500 | 531044400 |



| Page | Pos | Code | Description |
|------|-----|-----------|-------------------------------------|
| 001 | | 532004100 | FLUE GRID L=370 90LINE (RAF |
| 001 | | 541134100 | LOW SPACER 74 1 GRID |
| 001 | | 536001700 | GRIP D.25*19*M6 |
| 001 | | 536022101 | PLUG FOR BRF BASIN |
| 001 | | 541114200 | UPPER PLATE BRF-74G |
| 001 | | 531036000 | BURNER BRF-74G 07KW |
| 001 | | 533053000 | AIR ADJUSTMENT BUSHING §18 |
| 001 | | 544173500 | LEFT SIDE PANEL S.70 |
| 001 | | 541113502 | CONTROL PANEL S607090 BRF-74/94G |
| 001 | | 531015700 | LHD TELESCOPIC GUIDE RS50 L=570 |
| 001 | | 25035335 | |
| 001 | | 531015600 | RHD TELESCOPIC GUIDE RS50 L=570 |
| 001 | | 544381800 | GN1/1 LID BRF W/MANUAL DISCHARGE |
| 001 | | 544173400 | RIGHT SIDE PANEL S.70 |
| 001 | | 536005200 | INOX LEG 2" 120-180 M10 |
| 002 | | 533010900 | NUT M14*1 H.4 |
| 002 | | 531025600 | ELBOW 90° NOZZLE-HOLDER §10 PIPE |
| 002 | | 533039300 | BICONE §10 |
| 002 | | 533010800 | TUBE NUT D.10 M16*1,5 |
| 002 | | 539018900 | INDEX FOR KNOB W/RED SIGN |
| 002 | | 536034500 | KNOB §77 4P. §08*6,5 |
| 002 | | 539054200 | STAMP Ø20,5 CR."L" LOTUS R. |
| 002 | | 539060800 | RED STICKING DISK 72 (150,300° |
| 002 | | 537002800 | PIEZOELECTRIC IGNITION M18 WITH NUT |
| 002 | | 533018500 | FITTING FOR BICONE D.6 M10*1 |
| 002 | | 533039100 | BICONE §6 |
| 002 | | 533018000 | ELBOW FOR BICONE D.12 3/8 RS L20 |
| 002 | | 533017900 | BICONE D.12 |
| 002 | | 533053600 | EUROSIT VALVE PLUG |
| 002 | | 533011500 | PILOT BURNER 2 FLAMES 220 |
| 002 | | 533010400 | BICONE D.6 |
| 002 | | 533045700 | THERMOCOUPLE M9*1 500 |
| 002 | | 547003200 | HIGH-VOLTAGE CABLE TUBE.§2 L=500 |
| 002 | | 533018600 | PLUG FITTING |
| 002 | | 537008300 | ROUND PLUG §2,4- LONG ELECTRODE |
| 002 | | 533085200 | SPACER FOR PILOT PLUG |
| 002 | | 533020800 | NOZZLE 0160-FLUSS. (25 |
| 002 | | 533020300 | NOZZLE 0160 (NATURAL GAS) 1-2 (41 |
| 002 | | 533057600 | NOZZLE §115A CH12*30 G-BRF74 |
| 002 | | 533057700 | NOZZLE §130A CH12*30 F-BRF74 |
| 002 | | 533057800 | NOZZLE §205A CH12*30 H-BRF74 |
| 002 | | 533058000 | NOZZLE §225A CH12*30 L-BRF74 |
| 002 | | 533057900 | NOZZLE §215A CH12*30 NL-BRF74 |
| 002 | | 533109100 | NOZZLE CH12X30,0 Ø195A S/F.E. |
| 002 | | 533069500 | BY PASS COCK §085 25ST |
| 002 | | 533069700 | BY PASS COCK §075 25ST |
| 002 | | 531033900 | HORIZON.THERMOSTATIC TAP BYPASS §85 |
| 002 | | 531031600 | HORIZON.THERMOSTATIC TAP BY-PASS 75 |
| 003 | | 544389300 | CONTROP.73 SX APP. LT |
| 003 | | 531007600 | DOOR HINGE |
| 003 | | 544182501 | LEFT DOOR 73 |

| Page | Pos | Code | Description |
|------|-----|-----------|-------------------------------------|
| 003 | | 533094200 | S/S HANDLE FOR 70/90 SERIES |
| 003 | | 533035200 | HANDLE SPACER |
| 003 | | 536000200 | D.12 H.4 BUMPER |
| 003 | | 544389200 | CONTROP.73 DX APP. LT |
| 003 | | 544182401 | RIGHT DOOR 73 |
| 003 | | 544182101 | LEFT DOOR 74 |
| 003 | | 544389500 | INNER-DOOR OF LHD 74 |
| 003 | | 544389400 | CONTROP.74 DX APP. LT |
| 003 | | 544182001 | RIGHT DOOR 74 |
| 003 | | 544497000 | PORTA 72 SX |
| 003 | | 544497100 | CONTROP.72 SX APP. LT |
| 003 | | 544185101 | RIGHT DOOR 74 CF |
| 003 | | 533107100 | HANDLE SPACER OF CF-70 |
| 003 | | 544185500 | UPPER DOOR HINGE FOR COMPARTME CF70 |
| 003 | | 531000900 | MAGNET §22 KG.3 WITH DISK |
| 003 | | 544185201 | INNER DOOR * 74DX |
| 003 | | 544185400 | LOWER DOOR HINGE FOR COMPARTME CF70 |
| 003 | | 544663900 | LHD 74 DOOR FOR PCI |
| 003 | | 544663800 | 74 LHD OVEN INNER DOOR FOUR PCI |
| 003 | | 544662700 | DOOR 74 DX PCI |
| 003 | | 544662600 | CONTROP.74 DX APP. LT PCI |