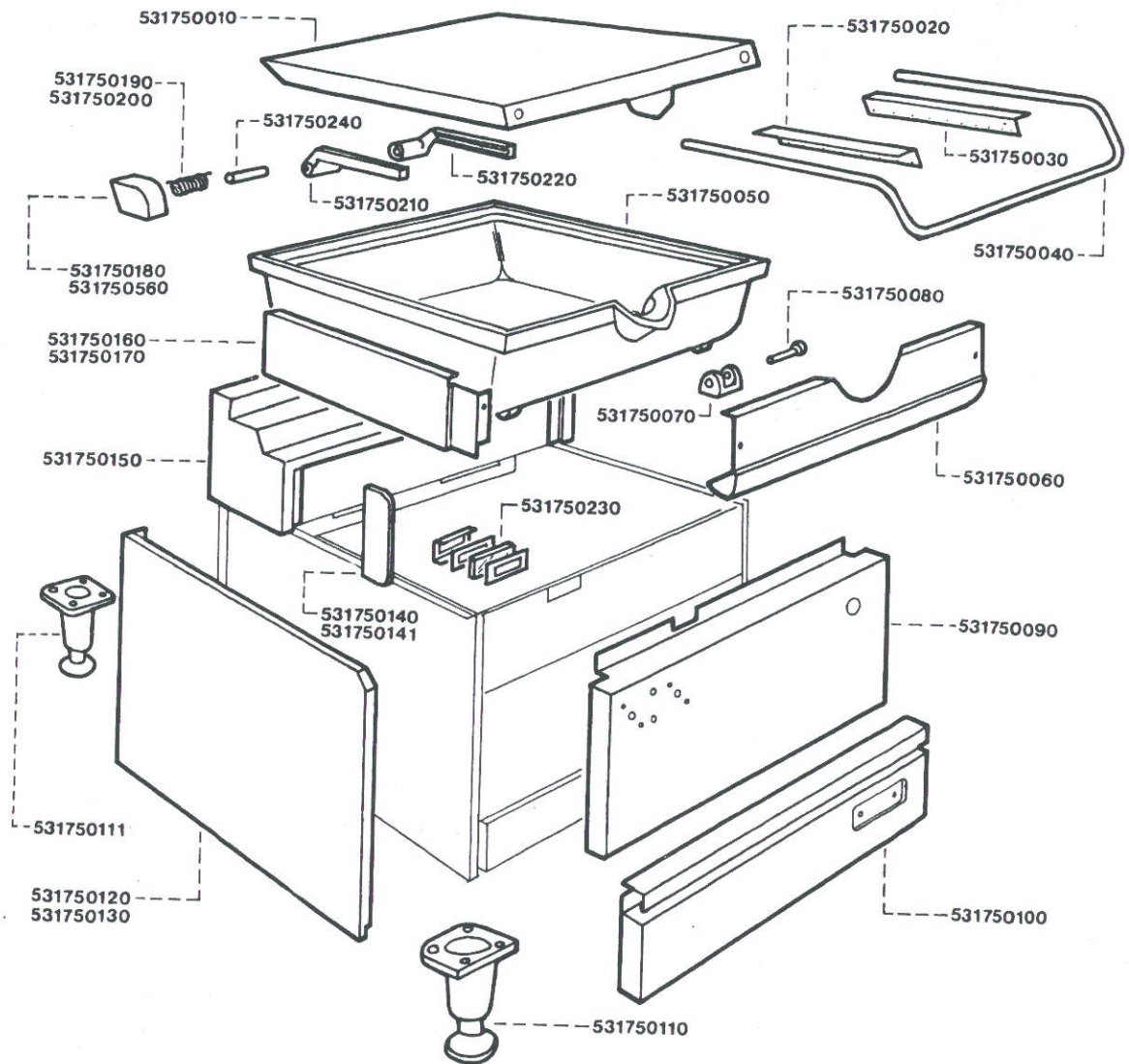


# G1965 BRATT PAN

# BRATT PAN FITMENTS



Code	No.	Description
6H	531750010	Pan Lid
9C	531750020	Lid Handle Bracket - LH
9C	531750030	Lid Handle Bracket - RH
10G	531750040	Lid Handle
11N	531750050	Pan
1D	531750060	Pan Facia Panel
9C	531750070	Pan Hinge Casting
6B	531750080	Pan Hinge Pin
7F	531750090	Front Panel
12E	531750100	Bottom Front Panel
9B	531750110	Adjustable Leg c/w foot - Front
9B	531750111	Adjustable Leg c/w foot - Rear
2F	531750120	Outer Side Panel - LH
2F	531750130	Outer Side Panel - RH

Code	No.	Description
12C	531750140	End Cheek - LH
12C	531750141	End Cheek - RH
10G	531750150	Rear Hob Rail
12D	531750160	Pan Side Panel - LH
12D	531750170	Pan Side Panel - RH
3E	531750180	Lid Hinge Block - LH
8B	531750190	Lid Hinge Spring - LH
8B	531750200	Lid Hinge Spring - RH
10E	531750210	Lid Hinge Arm - LH
10E	531750220	Lid Hinge Arm - RH
8C	531750230	Sight Glass Assembly
3C	531750240	Lid Hinge Bar
3E	531750560	Lid Hinge Block - RH

531753030 - DOOR MICROSWITCH PIN  
(NOT SHOWN)

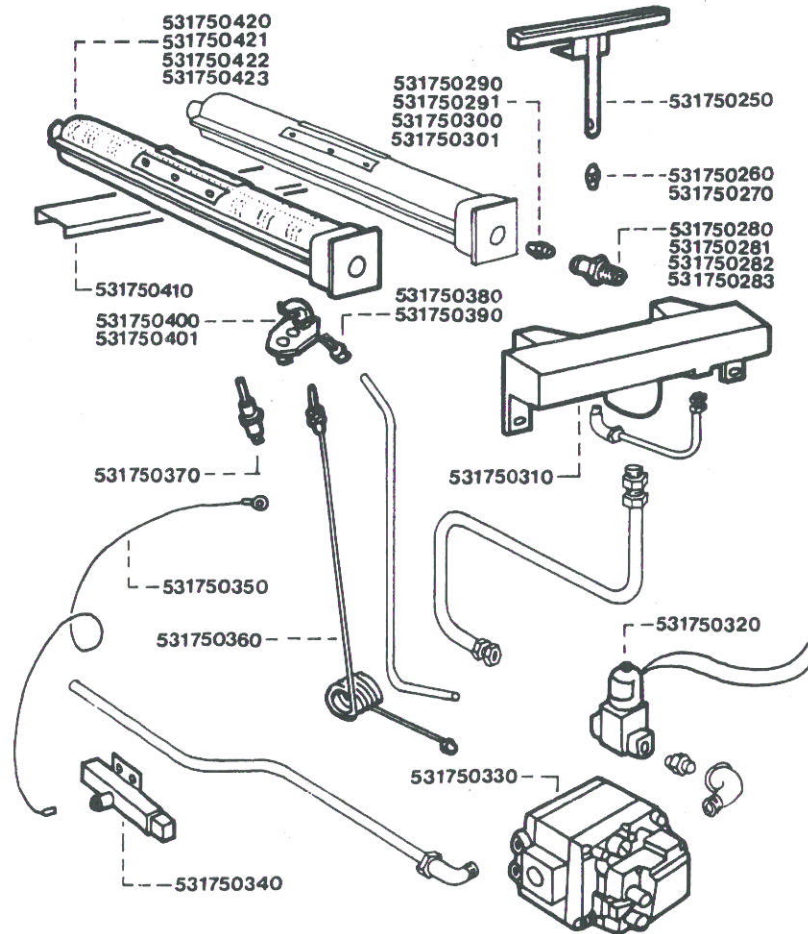
Sheet Reference Number

G1962/0283/001



# G1965 BRATT PAN

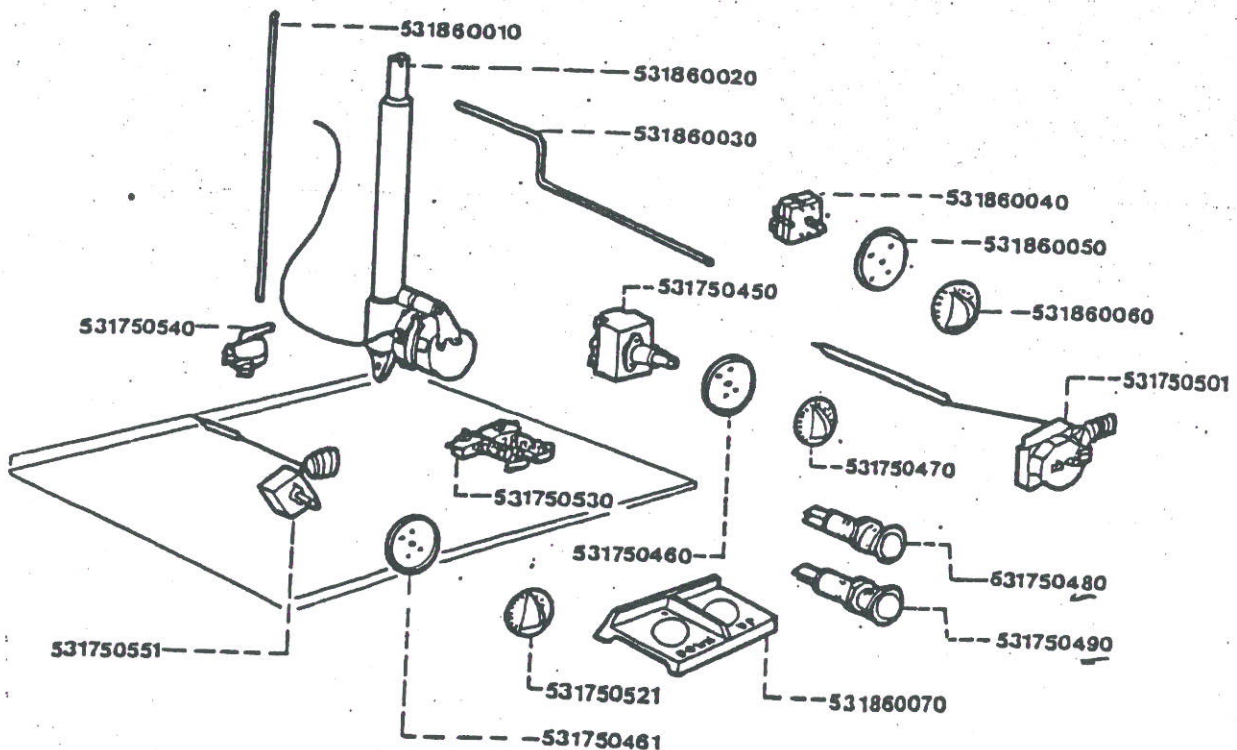
# BRATT PAN PIPEWORK



<u>Code</u>	<u>No.</u>	<u>Description</u>	<u>Code</u>	<u>No.</u>	<u>Description</u>
1F	531750250	Cross Lighting Burner	8D	531750340	Spark Igniter
1B	531750260	Cross Lighting Jet—Nat. Gas	3B	531750350	Igniter Lead
1B	531750270	Cross Lighting Jet—LP Gas	12C	531750360	Thermocouple
1B	531750280	LH Burner Injector—Nat Gas	10A	531750370	Electrode
1B	531750281	RH Burner Injector—Nat Gas	1B	531750380	Pilot Jet—Nat Gas
4B	531750282	LH Burner Injector—LP Gas	1B	531750390	Pilot Jet—LP Gas
1B	531750283	RH Burner Injector—LP Gas	7D	531750400	Pilot Burner—Nat Gas
1B	531750290	LH Injector Jet—Nat. Gas	5C	531750401	Pilot Burner—LP Gas
1B	531750291	RH Injector Jet—Nat Gas	9B	531750410	Burner Bracket
1B	531750300	RH Injector Jet—LP Gas	11H	531750420	LH Burner—Nat Gas
1B	531750301	RH Injector Jet—LP Gas	11H	531750421	RH Burner—Nat Gas
6D	531750310	Manifold	11H	531750422	LH Burner—LP Gas
6H	531750320	Solenoid Valve	11H	531750423	RH Burner—LP Gas
6H	531750330	Flame Failure Valve			

Sheet Reference Number

G1962/0283/002



Code No.	Description
5B 531860010	Microswitch Rod
4P 531860020	Linear Power Pack
1D 531860030	Winding Handle
2E 531860040	Changeover Switch
10A 531860050	Changeover Switch Bezel
6B 531860060	Changeover Switch Knob
10D 531860070	Foot Bellows
8D 531750450	Simmerstat
6B 531750460	Simmerstat Bezel
6B 531750470	Control Thermostat Bezel
6B 531750480	Simmerstat Knob
6B 531750490	Control Thermostat Knob
9B 531750510	Terminal Block
10C 531750521	Microswitch
1E 531750530	Control Thermostat
531750501	SAFETY STAT - 30/7/86 - 13/6/89.
531750502	" " POST 6/89.
531860080	AIR SWITCH.

Sheet Reference Number  
G1995/0785/002

**Falcon Catering  
Equipment**  
Commercial and institutional  
catering equipment



Falcon Catering Equipment is a  
business name of  
Glynwed Consumer & Building Products Ltd  
a member of the  
Glynwed International plc  
group of companies