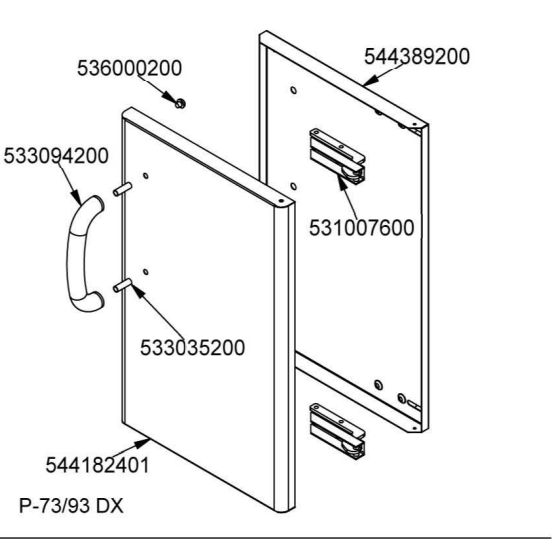
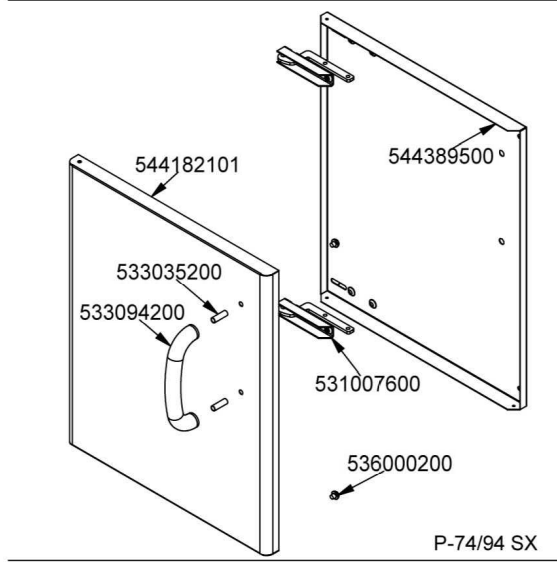


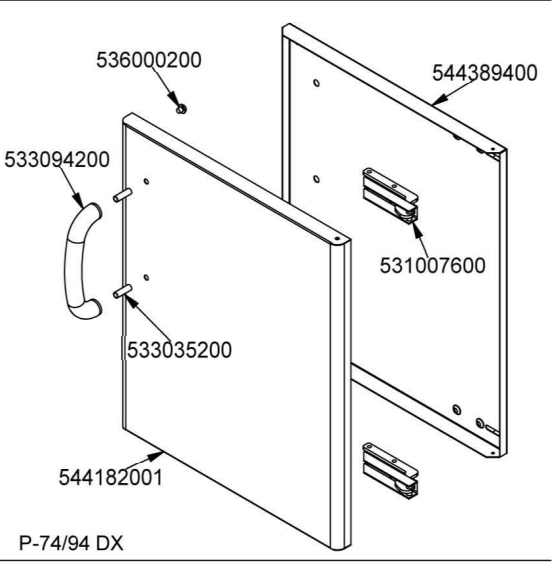
P-73/93 SX



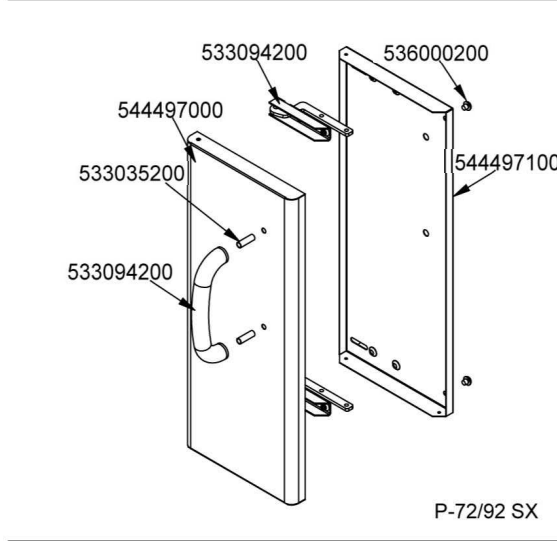
P-73/93 DX



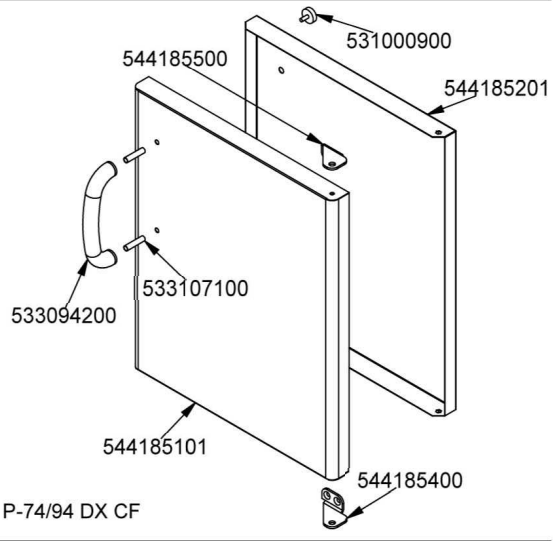
P-74/94 SX



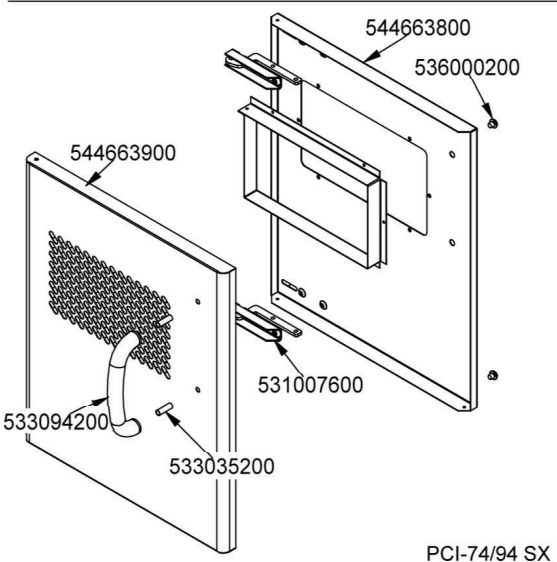
P-74/94 DX



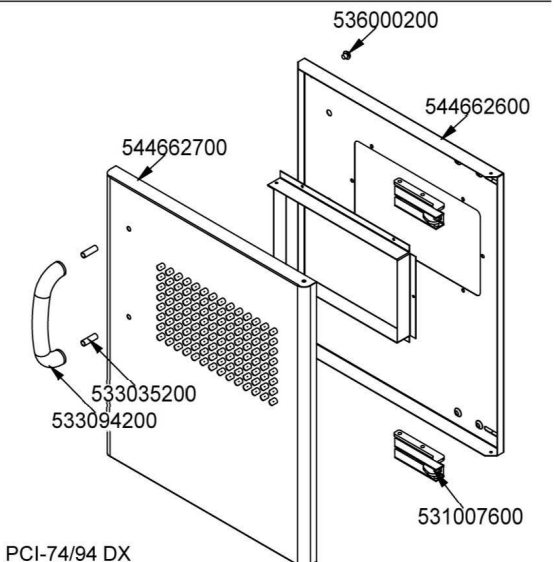
P-72/92 SX



P-74/94 DX CF



PCI-74/94 SX



PCI-74/94 DX

Page	Pos	Code	Description
001		532004100	FLUE GRID L=370 90LINE (RAF
001		536001700	GRIP D.25*19*M6
001		536022101	PLUG FOR BRF BASIN
001		541129600	UPPER PLATE BRF-98G
001		531044700	BURNER BRF-98G
001		533100900	AIR ADJUSTMENT BUSHING D22 EST.H38
001		544407400	LEFT SIDE PANEL 70 LINE
001		541113600	UPPER PLATE BRF-78G
001		544381800	GN1/1 LID BRF W/MANUAL DISCHARGE
001		531015700	LHD TELESCOPIC GUIDE RS50 L=570
001		25036454	
001		531015600	RHD TELESCOPIC GUIDE RS50 L=570
001		544407300	RIGHT SIDE PANEL 90 LINE
001		536005200	INOX LEG 2" 120-180 M10
002		533010900	NUT M14*1 H.4
002		531046100	FITTING FOR NOZZLE-SUPPORT TUBE D12
002		533017900	BICONE D.12
002		536034600	KNOB §77 4P. §10*8
002		539054200	STAMP Ø20,5 CR."L" LOTUS R.
002		539060800	RED STICKING DISK 72 (150,300°
002		533039100	BICONE §6
002		533018500	FITTING FOR BICONE D.6 M10*1
002		547003200	HIGH-VOLTAGE CABLE TUBE.§2 L=500
002		533018600	PLUG FITTING
002		537008300	ROUND PLUG §2,4- LONG ELECTRODE
002		533045700	THERMOCOUPLE M9*1 500
002		533010400	BICONE D.6
002		533011500	PILOT BURNER 2 FLAMES 220
002		533085200	SPACER FOR PILOT PLUG
002		533093700	HEXAGONAL NUT M20X1,5
002		533018000	ELBOW FOR BICONE D.12 3/8 RS L20
002		533053600	EUROSIT VALVE PLUG
002		537002800	PIEZOELECTRIC IGNITION M18 WITH NUT
002		531045800	GAS COCK 24ST BY PASS D150 HORIZ.P
002		531045700	GAS COCK 24ST BY PASS D125 HORIZ.P
002		533097000	COCK BY-PASS 24ST 23SV D150
002		533096900	COCK BY-PASS 24ST 23SV D125
002		533059000	NOZZLE §210A CH12*30 G-BRF98
002		533058100	NOZZLE §190 CH12*30 G-BRF78
002		533058800	NOZZLE §340 CH12*30 H-BRF98
002		533057400	NOZZLE §390 CH12*30 L-BRF98
002		533058900	NOZZLE §340 CH12*30 H-BRF98
003		544389300	CONTROP.73 SX APP. LT
003		531007600	DOOR HINGE
003		544182501	LEFT DOOR 73
003		533094200	S/S HANDLE FOR 70/90 SERIES
003		533035200	HANDLE SPACER
003		536000200	D.12 H.4 BUMPER
003		544389200	CONTROP.73 DX APP. LT
003		544182401	RIGHT DOOR 73
003		544182101	LEFT DOOR 74

Page	Pos	Code	Description
003		544389500	INNER-DOOR OF LHD 74
003		544389400	CONTROP.74 DX APP. LT
003		544182001	RIGHT DOOR 74
003		544497000	PORTA 72 SX
003		544497100	CONTROP.72 SX APP. LT
003		544185101	RIGHT DOOR 74 CF
003		533107100	HANDLE SPACER OF CF-70
003		544185500	UPPER DOOR HINGE FOR COMPARTME CF70
003		531000900	MAGNET §22 KG.3 WITH DISK
003		544185201	INNER DOOR * 74DX
003		544185400	LOWER DOOR HINGE FOR COMPARTME CF70
003		544663900	LHD 74 DOOR FOR PCI
003		544663800	74 LHD OVEN INNER DOOR FOUR PCI
003		544662700	DOOR 74 DX PCI
003		544662600	CONTROP.74 DX APP. LT PCI