

# **FD4D Parts List**

## **Table of Contents**

**Cabinet**

**Condensing Unit**

**Evaporator**

**Auger Drive Motor**

**Bin Top**

**Water System**

**Control Box**

**Kits**

**Wiring Diagrams**

# FD4

## THE PARTS ILLUSTRATIONS AND PARTS LISTS

### GENERAL

This section contains the Parts Illustrations and the Parts List for each of the major assemblies in the Model FD4A-1D.

A *No Number* designation, when used in the Part Number Column indicates the unit is not available from SCOTSMAN as an assembly. This designation is used only for the convenience and clarity of division in cataloging.

### HOW TO ORDER PARTS OR ASSEMBLIES

When ordering parts or assemblies, to avoid costly delays and errors in shipment, give the part number, the complete description shown in the list, and the quantities of each part or assembly required. Also include the model name, the serial number of the icemaker for which the part is required and for parts which require color matching, the color of the cabinet.

All part numbers have TEN DIGITS (spaces), required for use in the Computer System. BE SURE to fill in ALL SPACES in the CATALOG NUMBER column, on the parts order form.

Enter the QUANTITY of the parts ordered, in the last digit column under the QUANTITY column heading, the one under the small 55 number, for parts from 1 thru 9. For 10 or more parts use two columns.

To be sure you receive the proper parts in the proper quantities, ALWAYS use the PART NUMBERS and DESCRIPTIONS given in the Parts Manuals.

Write an order for the part. Use SCOTSMAN Parts Order Form (DN103). Be sure to include:

- Distributor Name.
- (Use for DROP-SHIP order ONLY.)
- Distributor Purchase Order Number.
- Carrier.
- How shipped (Truck, Rail, UPS, etc.)
- Date ordered.
- Part Catalog Number. (Use full TEN digits (spaces) listed in Parts Manual, including dashes between numbers.)
- Description - as listed in Parts Manual.
- Quantity - number of parts ordered. (Use far right column.)

## WIRING DIAGRAMS

This section is provided as an aid in understanding the electrical circuitry of the flaker dispenser.

The wiring diagram in this Section is:  
FD4A-1D 115/60/1

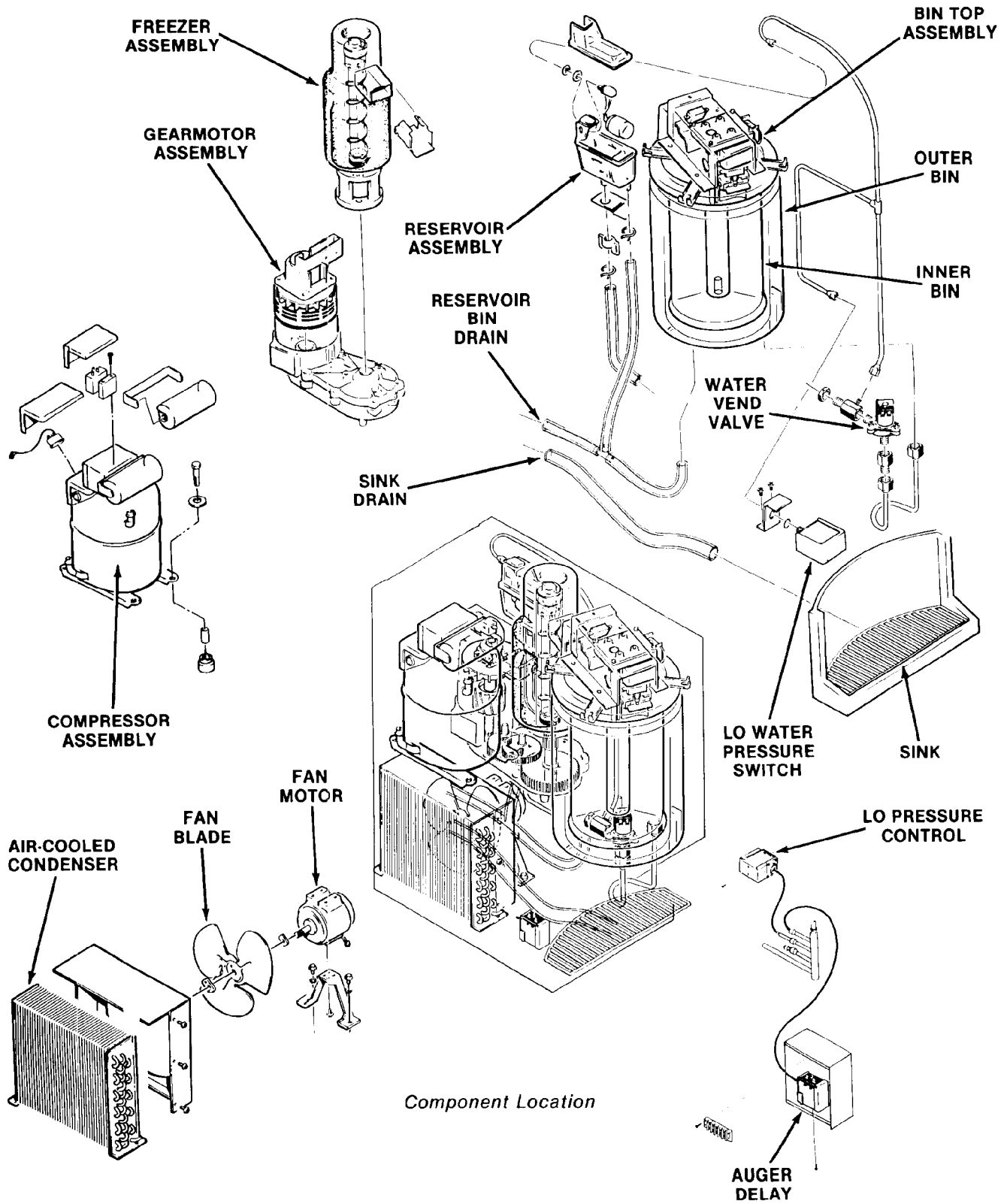
### //////////////////// WARNING //////////////////////

**When conducting a continuity check of the modular cuber:**

- 1. Disconnect the main power source.**
- 2. DO NOT use an incandescent lamp or jumper wire, conduct all tests with a volt-ohm-meter.**

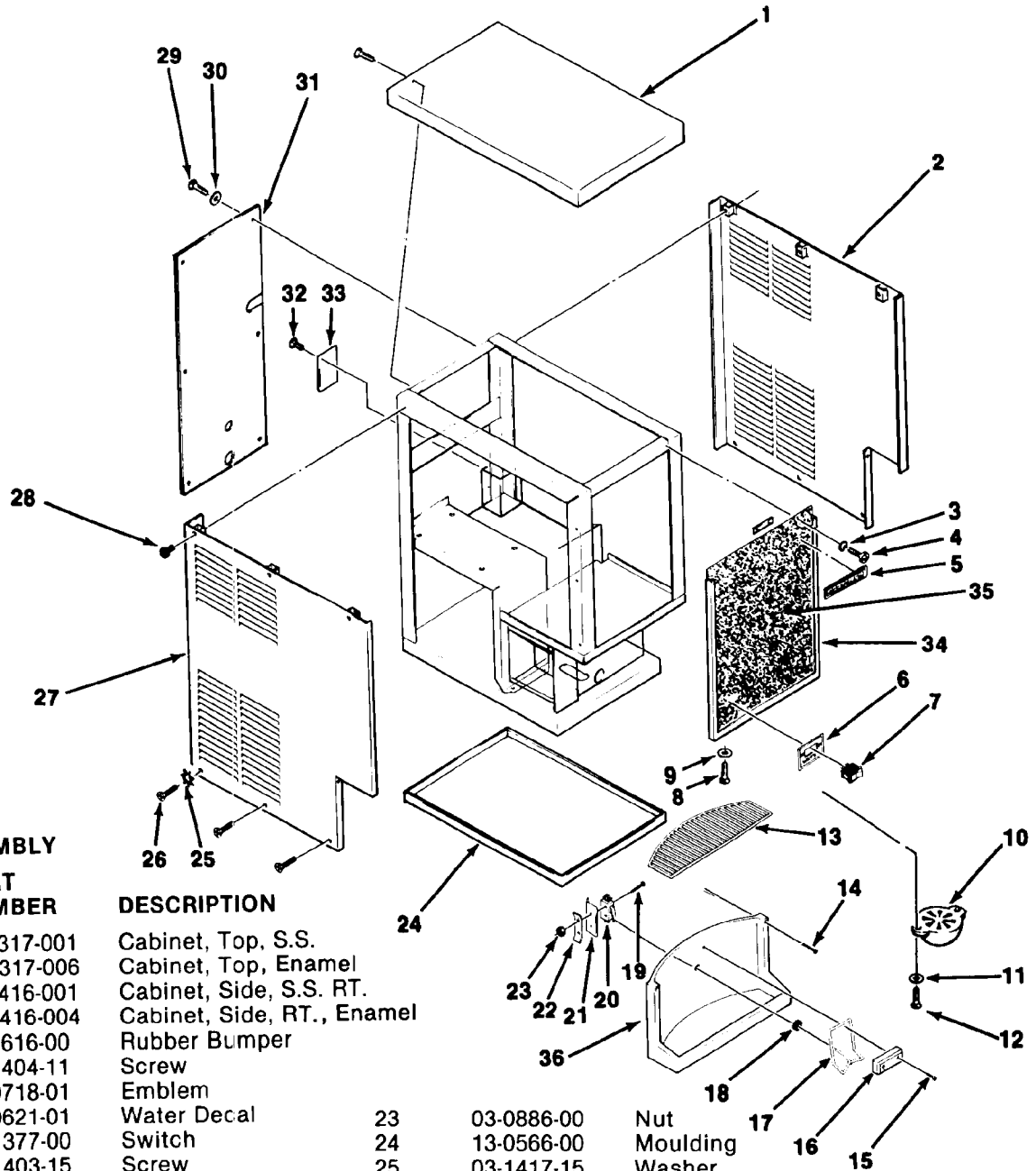
////////////////////////////////////

# FD4 THE PARTS ILLUSTRATIONS AND PARTS LISTS



# FD4

## THE PARTS ILLUSTRATIONS AND PARTS LISTS



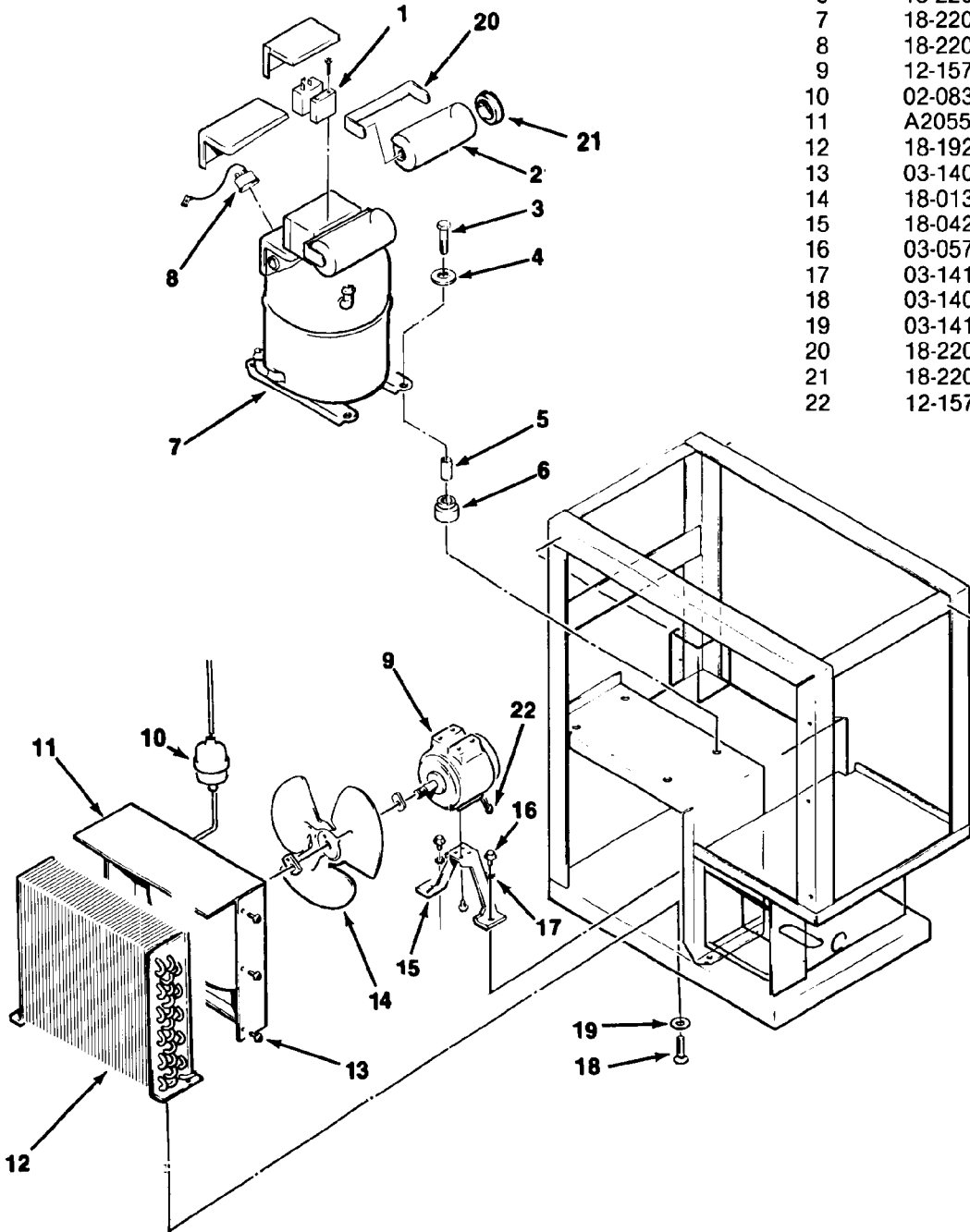
**CABINET ASSEMBLY**

| ITEM NUMBER | PART NUMBER | DESCRIPTION                |
|-------------|-------------|----------------------------|
| 1           | A16317-001  | Cabinet, Top, S.S.         |
|             | A16317-006  | Cabinet, Top, Enamel       |
| 2           | A21416-001  | Cabinet, Side, S.S. RT.    |
|             | A21416-004  | Cabinet, Side, RT., Enamel |
| 3           | 13-0616-00  | Rubber Bumper              |
| 4           | 03-1404-11  | Screw                      |
| 5           | 15-0718-01  | Emblem                     |
| 6           | 15-0621-01  | Water Decal                |
| 7           | 12-1377-00  | Switch                     |
| 8           | 03-1403-15  | Screw                      |
| 9           | 03-1417-03  | Washer                     |
| 10          | 02-1804-00  | Spout Exterior             |
| 11          | 03-1407-03  | Washer                     |
| 12          | 03-1403-19  | Screw                      |
| 13          | 02-1473-00  | Grate                      |
| 14          | 03-1418-28  | Screw                      |
| 15          | 03-1418-29  | Screw                      |
| 16          | 02-1833-00  | Adaptor                    |
| 17          | A21544-000  | Actuator Arm               |
| 18          | 12-1213-04  | Bushing                    |
| 19          | 02-1403-09  | Screw                      |
| 20          | 12-1641-00  | Switch                     |
| 21          | No Number   | Insulation                 |
| 22          | 03-1417-07  | Washer                     |
| 23          | 03-0886-00  | Nut                        |
| 24          | 13-0566-00  | Moulding                   |
| 25          | 03-1417-15  | Washer                     |
| 26          | 03-1418-05  | Screw                      |
| 27          | A21415-004  | Cabinet, Side LT., Enamel  |
|             | A21415-001  | Cabinet, Side, S.S. LT.    |
| 28          | 03-1404-09  | Screw                      |
| 29          | 03-1404-09  | Screw                      |
| 30          | 03-1417-03  | Washer                     |
| 31          | A21405-004  | Back Panel, Enamel         |
|             | A21405-001  | Back Panel, S.S.           |
| 32          | 03-1403-17  | Screw                      |
| 33          | No Number   | Junction Box Cover         |
| 34          | 15-0507-00  | Molding Trim               |
| 35          | A27500-001  | Front Panel SS             |
|             | A27500-002  | Front Panel, Vinyl Cork    |
| 36          | A21429-000  | Sink                       |

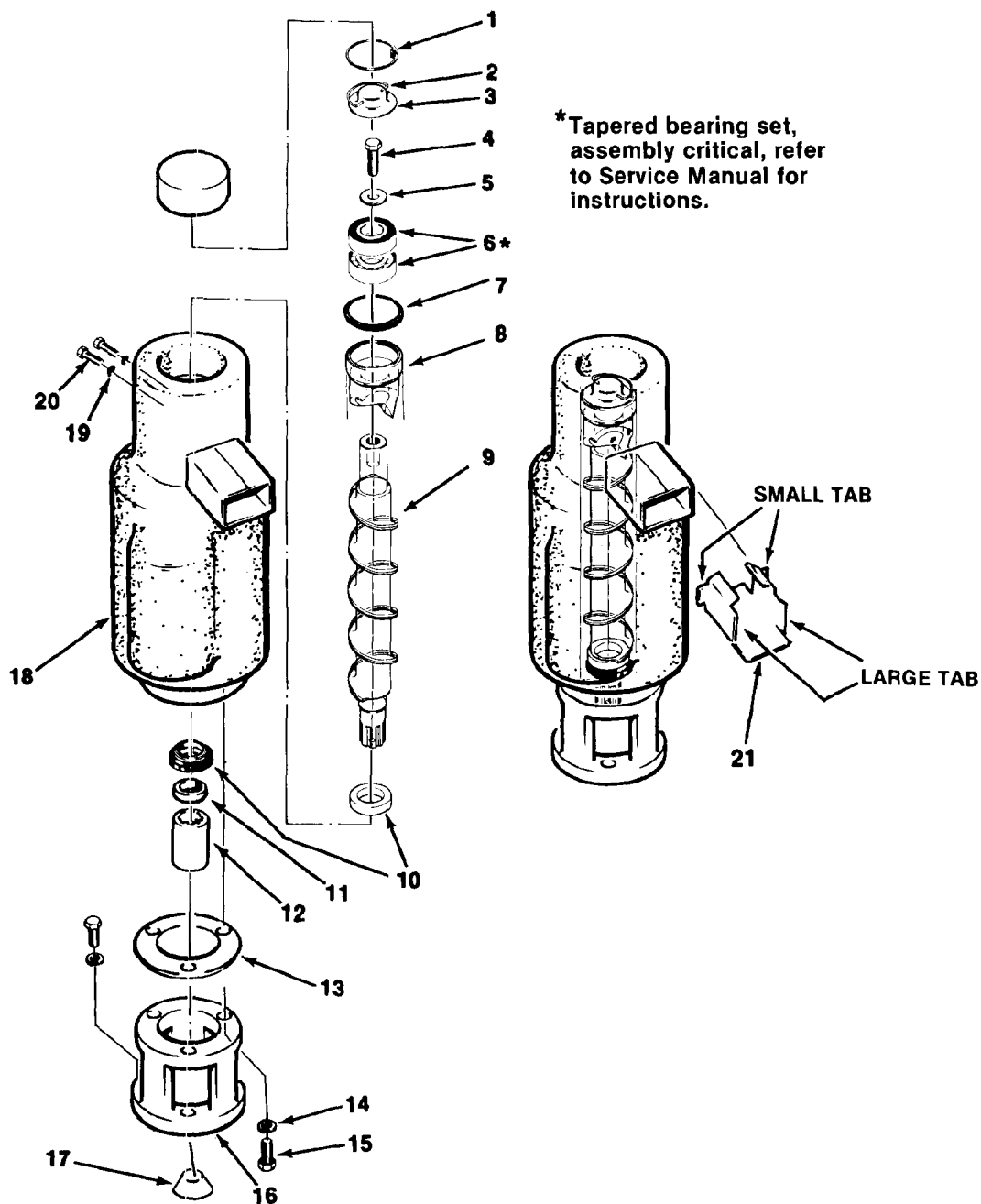
# FD4 THE PARTS ILLUSTRATIONS AND PARTS LISTS

## MAJOR COMPONENTS

| ITEM NUMBER | PART NUMBER | DESCRIPTION          |
|-------------|-------------|----------------------|
| 1           | 18-2200-26  | Relay                |
| 2           | 18-1901-33  | Capacitor            |
| 3           | 03-1405-20  | Screw                |
| 4           | 03-1407-07  | Washer               |
| 5           | 18-2200-27  | Mounting Sleeve      |
| 6           | 18-2200-28  | Mounting Grommet     |
| 7           | 18-2200-01  | Compressor           |
| 8           | 18-2200-25  | Overload             |
| 9           | 12-1576-01  | Fan Motor            |
| 10          | 02-0831-00  | Drier                |
| 11          | A20550-000  | Shroud               |
| 12          | 18-1927-00  | Condenser            |
| 13          | 03-1404-15  | Screw                |
| 14          | 18-0137-01  | Fan Blade            |
| 15          | 18-0422-00  | Fan Bracket          |
| 16          | 03-0571-00  | Screw                |
| 17          | 03-1417-09  | Washer               |
| 18          | 03-1405-03  | Screw                |
| 19          | 03-1417-09  | Washer               |
| 20          | 18-2200-39  | Start Capacitor BKT. |
| 21          | 18-2200-38  | Start Capacitor Cap  |
| 22          | 12-1573-01  | Fan Motor Wire       |



# FD4 THE PARTS ILLUSTRATIONS AND PARTS LISTS



\*Tapered bearing set,  
assembly critical, refer  
to Service Manual for  
instructions.

## FREEZER ASSEMBLY

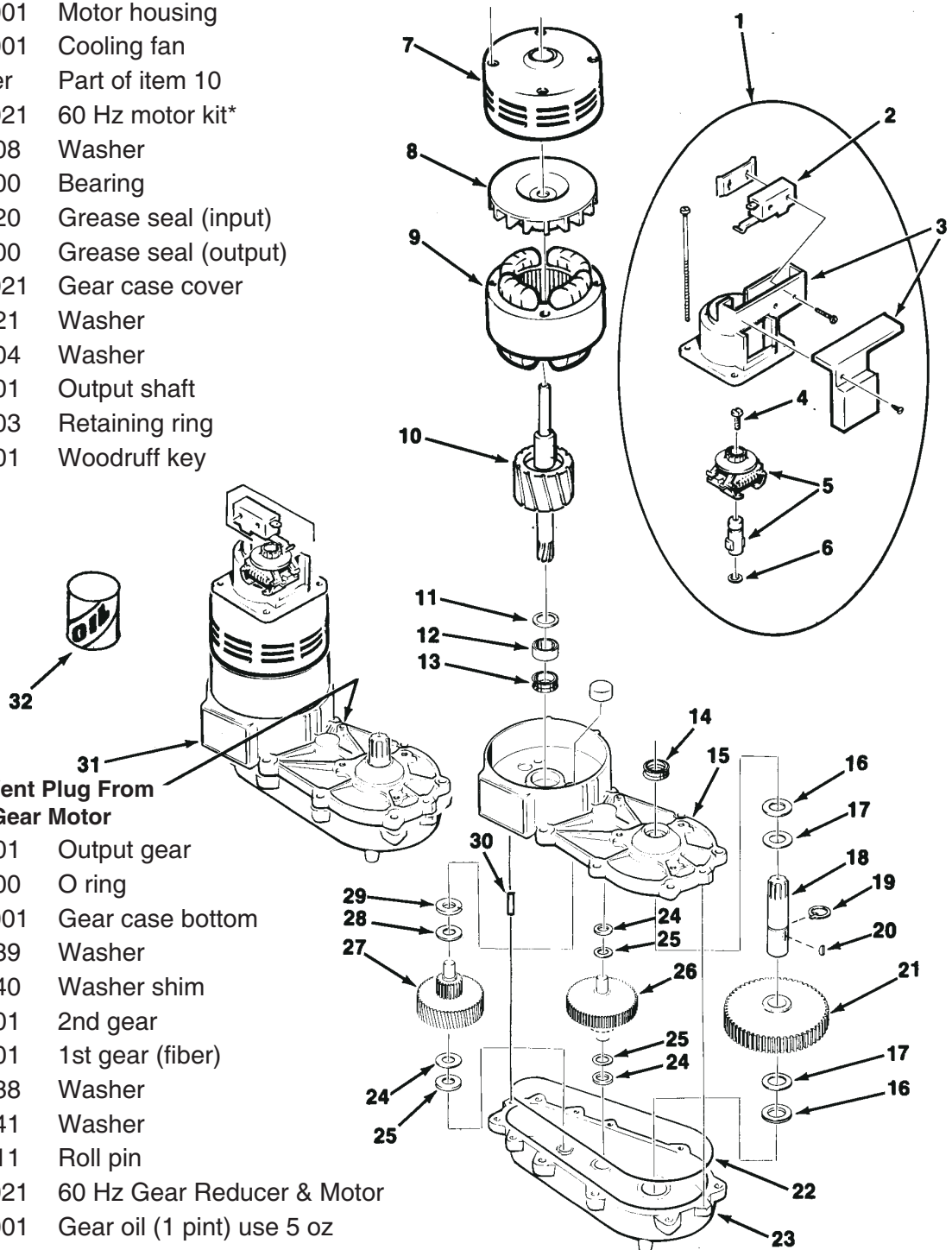
| ITEM NUMBER | PART NUMBER | DESCRIPTION   |
|-------------|-------------|---|
| 1           | 03-1558-03  | Retainer Ring   |
| 2           | A08162-000  | Cap Hook  |
| 3           | A07701-000  | Cap   |
| 4           | 03-0758-00  | Screw   |
| 5           | A07699-000  | Washer  |
| 6           | 02-1412-00  | Top Bearing, Matched Set                                |
| 7           | 13-0617-16  | "O" Ring  |
| 8           | A14678-020  | Breaker with Bearing Assembly,<br>includes Items #6-7-8 |
| 9           | A29669-001  | Auger   |
| 10          | 02-1300-01  | Water Seal  |
| 11          | 02-0417-00  | Bearing, Lower  |
| 12          | A29915-002  | Spline Drive Coupling                                   |
| 13          | 03-1505-00  | Gasket  |
| 14          | 03-1410-04  | Washer (3)  |
| 15          | 03-1420-01  | Cap Screw (3)   |
| 16          | 08-0595-01  | Adapter, Amaloy   |
| 17          | 13-0709-01  | Shaft Drip Shield, Rubber                               |
| 18          | A26742-020  | Evaporator Shell,<br>includes suction line              |
| 19          | 03-1417-07  | Washer  |
| 20          | 03-1403-46  | Screw   |
| 21          | A16151-000  | Spout Extention   |

# FD4 Service Parts

## Gear Reducer and Motor

| Item Number | Part Number | Description            |
|-------------|-------------|------------------------|
| 1           | A27494-001  | Centrifugal switch kit |
| 2           | 12-2059-01  | Switch                 |
| 3           | A27494-001  | Housing                |
| 4           | 03-1403-77  | Screw                  |
| 5           | A30579-001  | Shaft & actuator       |
| 6           | 03-1408-36  | Washer                 |
| 7           | A38487-001  | Motor housing          |
| 8           | A28168-001  | Cooling fan            |
| 9           | no number   | Part of item 10        |
| 10          | A37707-021  | 60 Hz motor kit*       |
| 11          | 03-1408-08  | Washer                 |
| 12          | 02-1501-00  | Bearing                |
| 13          | 02-3969-20  | Grease seal (input)    |
| 14          | 02-1503-00  | Grease seal (output)   |
| 15          | A28165-021  | Gear case cover        |
| 16          | 03-1408-21  | Washer                 |
| 17          | 03-1408-04  | Washer                 |
| 18          | 02-2445-01  | Output shaft           |
| 19          | 03-1515-03  | Retaining ring         |
| 20          | 03-1602-01  | Woodruff key           |

\* includes items 7, 8, 9, 10, 11 and 12



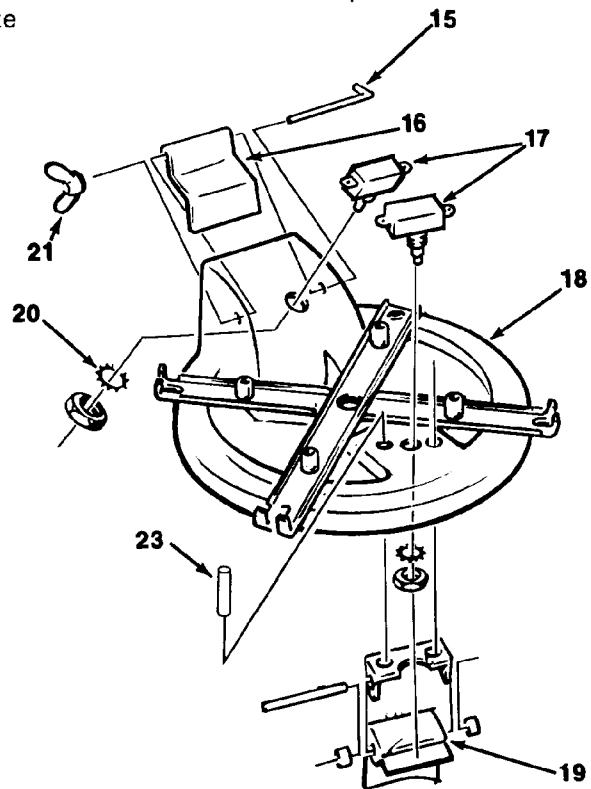
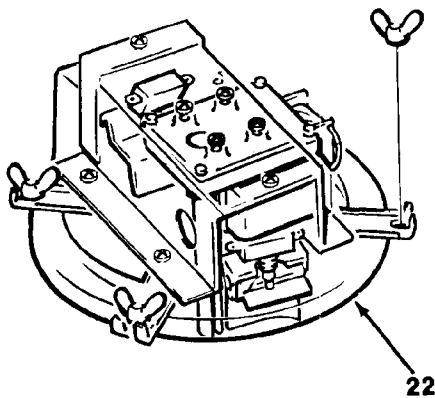
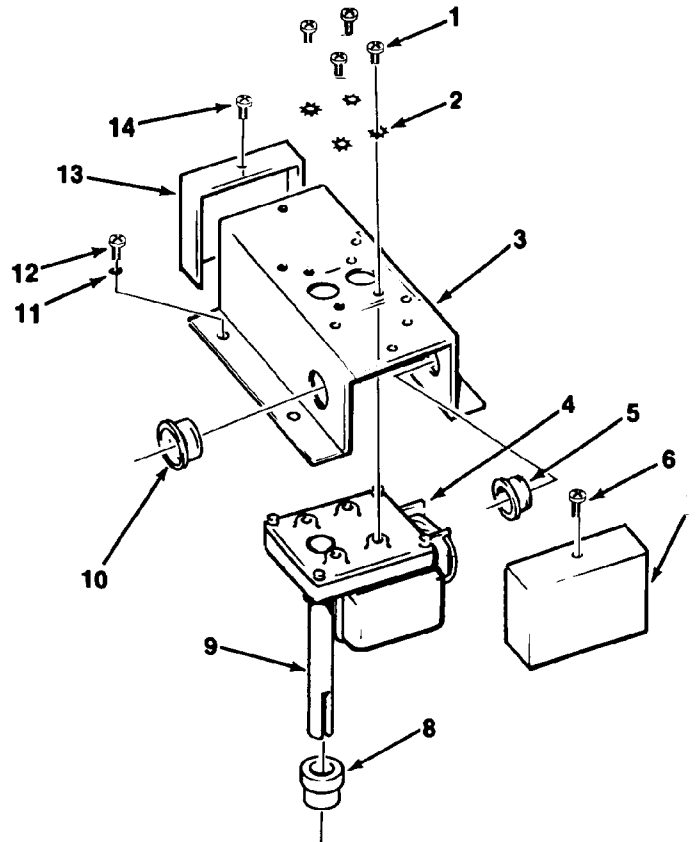
**Remove Rubber Vent Plug From Replacement Gear Motor**

|    |            |                            |
|----|------------|----------------------------|
| 21 | 02-2444-01 | Output gear                |
| 22 | 02-1505-00 | O ring                     |
| 23 | A28166-001 | Gear case bottom           |
| 24 | 03-1408-39 | Washer                     |
| 25 | 03-1408-40 | Washer shim                |
| 26 | 02-2439-01 | 2nd gear                   |
| 27 | 02-2438-01 | 1st gear (fiber)           |
| 28 | 03-1408-38 | Washer                     |
| 29 | 03-1408-41 | Washer                     |
| 30 | 03-0774-11 | Roll pin                   |
| 31 | A31977-021 | 60 Hz Gear Reducer & Motor |
| 32 | A25835-001 | Gear oil (1 pint) use 5 oz |

# FD4 THE PARTS ILLUSTRATIONS AND PARTS LISTS

## BIN TOP ASSEMBLY

| ITEM NUMBER | PART NUMBER | DESCRIPTION                |
|-------------|-------------|----------------------------|
| 1           | 03-1403-16  | Screw                      |
| 2           | 03-1417-05  | Washer                     |
| 3           | No Number   | Cover Switch               |
| 4           | 12-1610-01  | Motor                      |
| 5           | 12-1213-05  | Bushing                    |
| 6           | 03-1404-08  | Screw                      |
| 7           | No Number   | Cover, Switch              |
| 8           | 19-0569-01  | Lubricant, Food Grade      |
| 9           | A21207-000  | Shaft                      |
| 10          | No Number   | Strain Bushing             |
| 11          | 03-1417-09  | Washer                     |
| 12          | 03-1403-47  | Screw                      |
| 13          | No Number   | Cover Switch, Front        |
| 14          | 03-1404-08  | Screw                      |
| 15          | A16104-000  | Pin Hinge                  |
| 16          | A16010-000  | Lever, Ice Contact         |
| 17          | 12-1018-01  | Switch                     |
| 18          | A16098-000  | Bin, Top Fab Assembly      |
| 19          | A19269-000  | Bin, Ice Control Assembly  |
| 20          | 03-1417-20  | Lockwasher                 |
| 21          | 03-0255-02  | Wing Nut                   |
| 22          | A27491-001  | Bin, Top Assembly Complete |
| 23          | A16495-000  | Nut - Ice Bracket          |

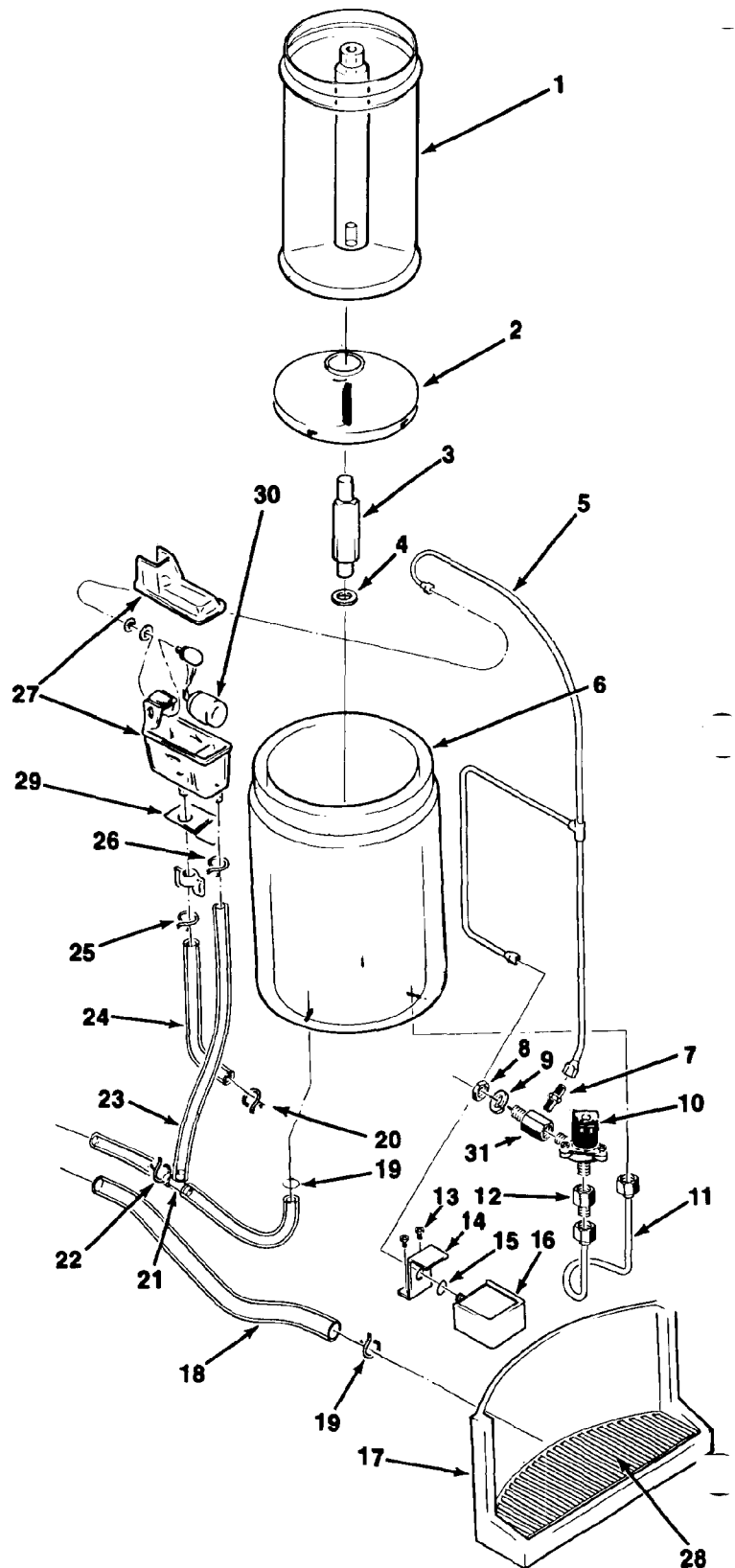




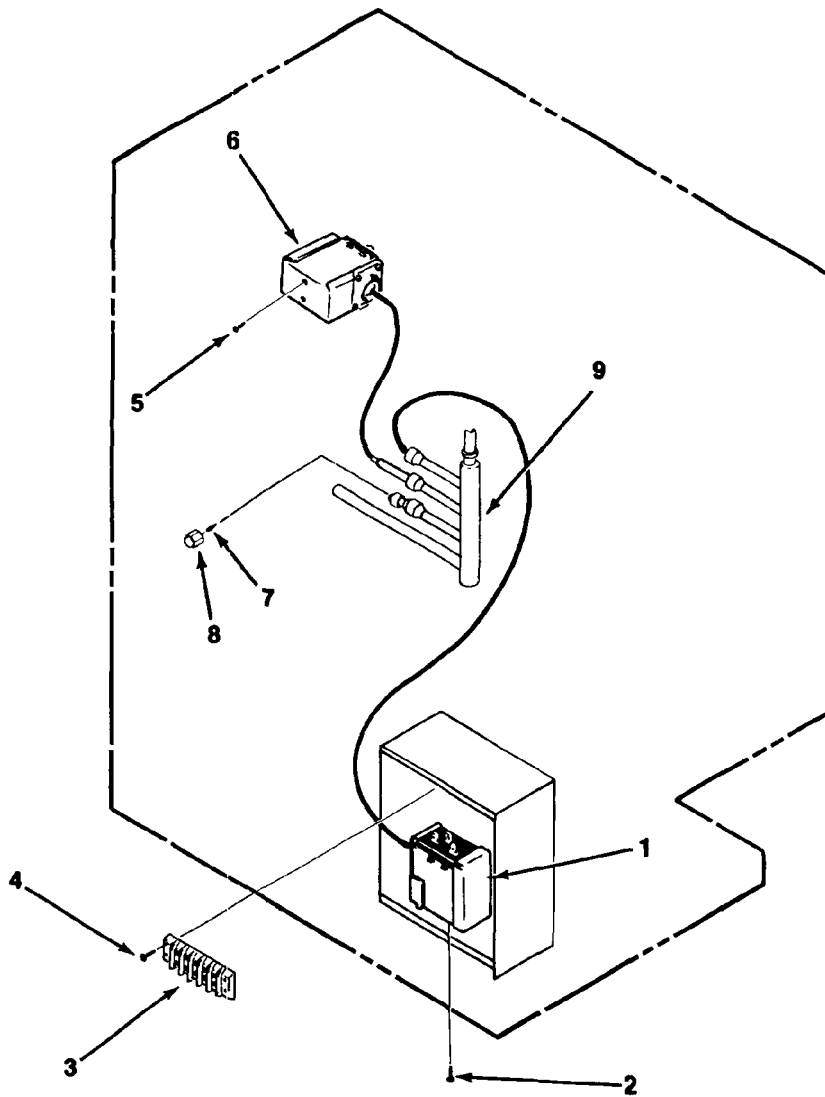
# FD4 THE PARTS ILLUSTRATIONS AND PARTS LISTS

## POTABLE WATER AND DRAINAGE SYSTEM

| ITEM NUMBER | PART NUMBER | DESCRIPTION                                     |
|-------------|-------------|---|
| 1           | A26440-001  | Inner Bin                                       |
| 2           | A26445-001  | Inner Bin, Bottom                               |
| 3           | A26435-001  | Hub Assembly                                    |
| 4           | 03-1409-18  | Washer, Fiber                                   |
| 5           | No Number   | Tube  |
| 6           | A26447-001  | Bin Fab Assembly, Foam                          |
| 7           | 16-0163-00  | Coupling  |
| 8           | 03-1394-00  | Pal Nut   |
| 9           | No Number   | Lockwasher                                      |
| 10          | 12-1434-04  | Water Valve                                     |
| 11          | No Number   | Tube Assembly                                   |
| 12          | 16-0643-00  | Half Union                                      |
| 13          | 03-0571-00  | Screw   |
| 14          | No Number   | Bracket   |
| 15          | 03-1409-21  | Washer, Rubber                                  |
| 16          | 11-0296-00  | Pressure Control                                |
| 17          | A21429-000  | Sink Assembly                                   |
| 18          | 13-0674-08  | Tube, 12" (Order per ft.)                       |
| 19          | 02-1338-00  | Clamps  |
| 20          | 02-1338-00  | Clamps  |
| 21          | No Number   | Tee, Fab Assembly                               |
| 22          | 02-1338-00  | Clamps  |
| 23          | 13-0079-03  | Tube (Overflow to Drain)<br>12" (Order per ft.) |
| 24          | 13-0674-09  | Tube (To Freezer)7"<br>(Order per ft.)          |
| 25          | 02-0535-00  | Clamp   |
| 26          | 02-0694-00  | Clamp   |
| 27          | 02-2217-01  | Reservoir Assembly                              |
| 28          | 02-1473-00  | Grate   |
| 29          | A21419-000  | Reservoir BKT.                                  |
| 30          | 02-2217-02  | Float and Arm Assembly                          |
| 31          | No Number   | Inlet Fitting                                   |



# FD4 THE PARTS ILLUSTRATIONS AND PARTS LISTS



### CONTROL BOX ASSEMBLY

| ITEM<br>NUMBER | PART<br>NUMBER | DESCRIPTION             |
|----------------|----------------|-------------------------|
| 1              | 11-0402-01     | Auger Delay Control     |
| 2              | 03-1403-02     | Screw                   |
| 3              | 12-0813-03     | Terminal Block          |
| 4              | 03-1403-20     | Screw                   |
| 5              | 03-1403-02     | Screw                   |
| 6              | 11-0420-01     | Lo Pressure Control     |
| 7              | 16-0560-00     | Valve Core              |
| 8              | 16-0563-00     | Valve Cap               |
| 9              | 16-0673-18     | Process Header Low Side |

## FD4 THE PARTS ILLUSTRATIONS AND PARTS LISTS

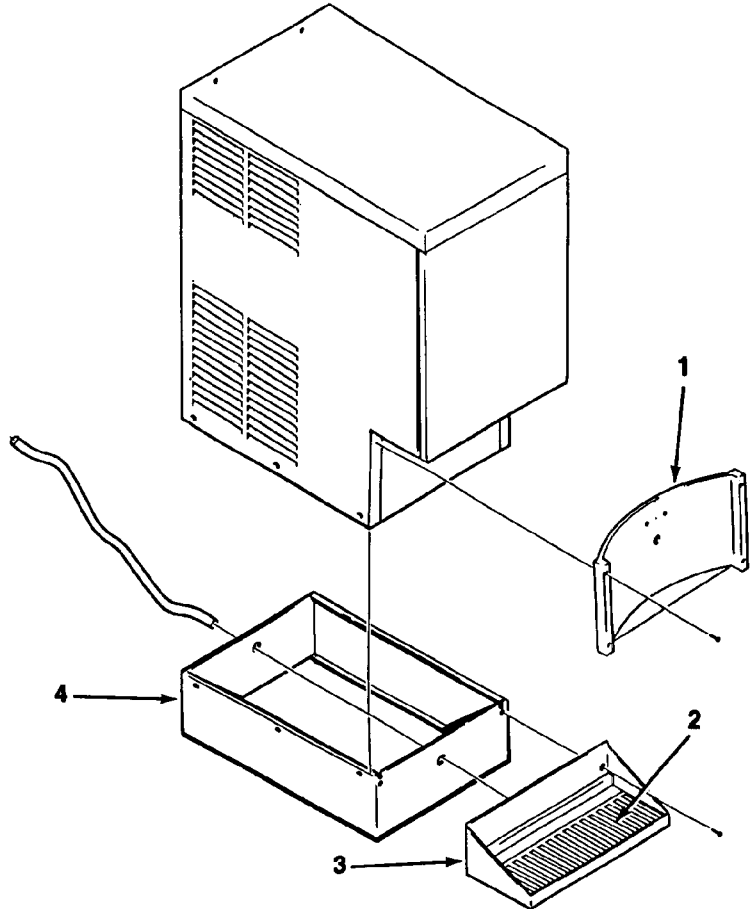
### SINK EXTENSION KIT

A conversion for the FD4 dispenser to increase the distance between the discharge spout and the sink to twelve inches and to provide a faster sink drainage.

**KDE1 — PAINTED**

**KDE1-SS — STAINLESS STEEL**

| ITEM NUMBER | PART NUMBER              | DESCRIPTION                          |
|-------------|--------------------------|--------------------------------------|
| 1           | 02-1828-00               | Splash Plate                         |
| 2           | 02-1701-00               | Drain Grill                          |
| 3           | 02-1699-00               | Sink Assembly                        |
| 4           | A21538-000<br>A21538-001 | Base Painted<br>Base Stainless Steel |



### KWB1 WALL MOUNT KIT

An option to attach an FD4 to the wall.

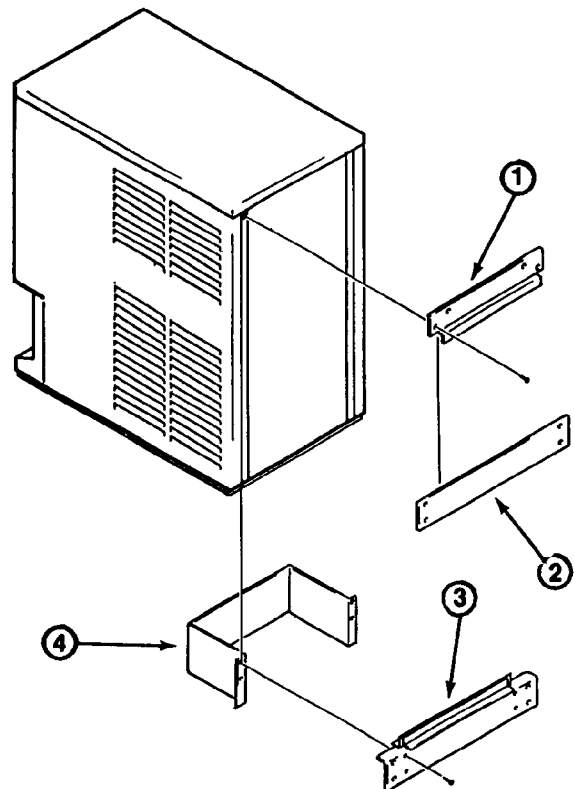
#### COMPONENT DESCRIPTION

#### KWB1 WALL MOUNT KIT COMPONENT DESCRIPTION

#### KIT CONTENTS

1. **Top Case Hanger Bracket.** Attach to inside of frame of the dispenser.
2. **Top Wall Bracket.** Mounts to wall and engages top case hanger bracket to support dispenser.
3. **Bottom Wall Bracket.** Mounts to wall and supports bottom of dispenser.
4. **Bottom Fittings Cover.** Fastened to bottom wall bracket to conceal electrical and plumbing fittings from view.

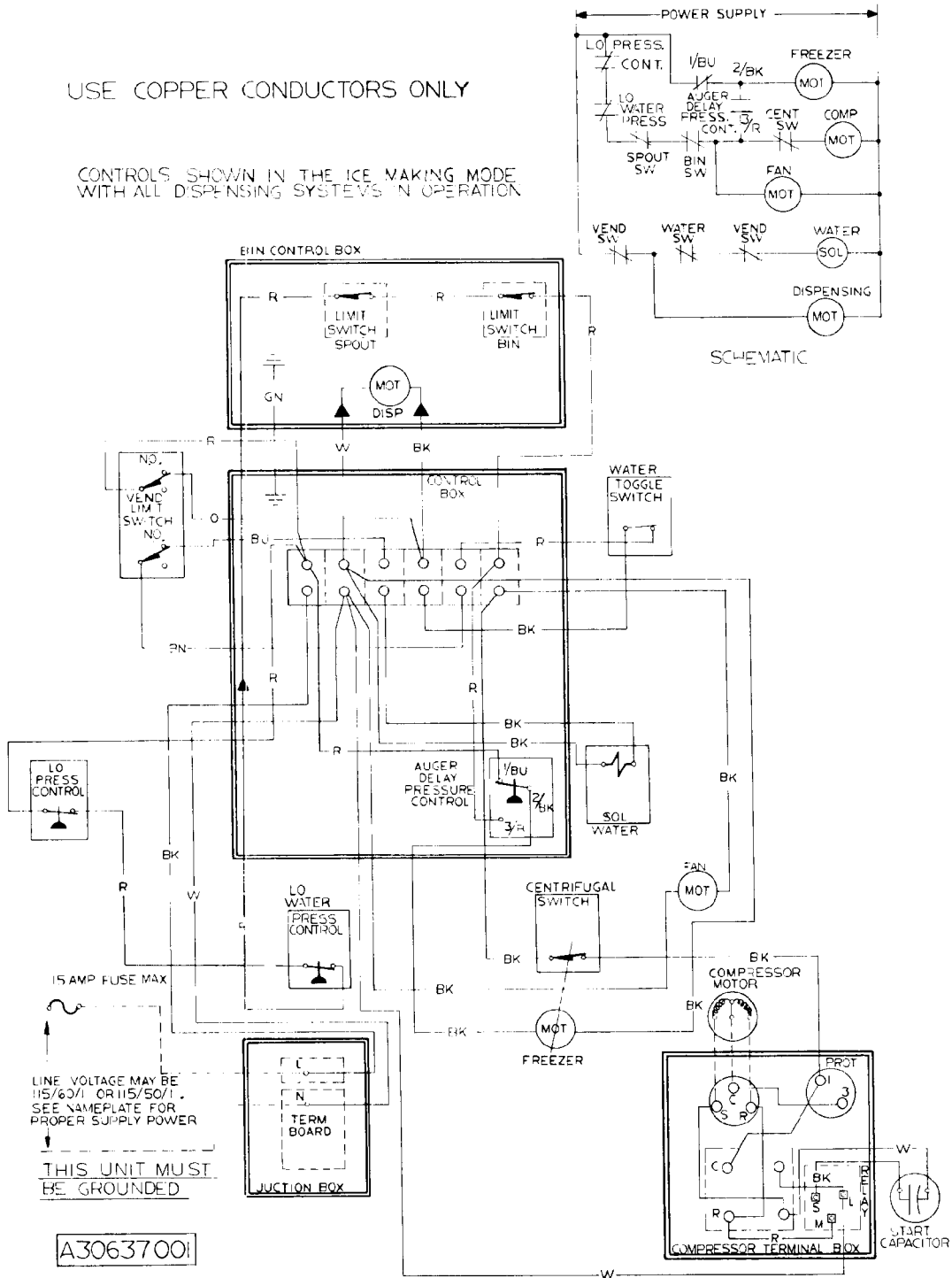
(No Service Parts)



# FD4 THE PARTS ILLUSTRATIONS AND PARTS LISTS

USE COPPER CONDUCTORS ONLY

CONTROLS SHOWN IN THE ICE MAKING MODE  
WITH ALL DISPENSING SYSTEMS IN OPERATION



Wiring Diagram FD4A-1D (115/60/1)