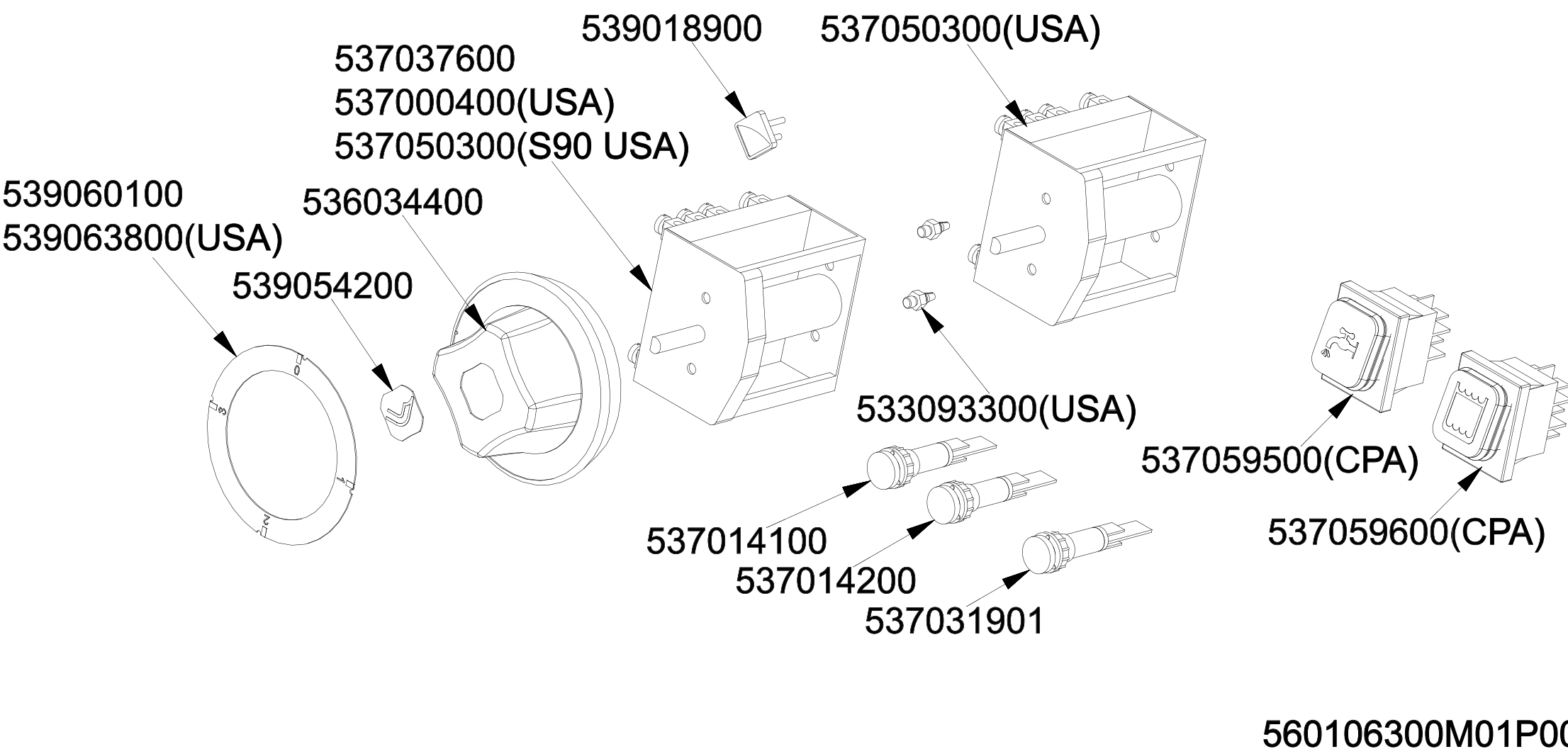


560078201M01P00



Page	Pos	Code	Description
001		531064800	GRID FOR BASKET SUPPORT * CP-66
001		541008100	DRAIN FILTER TANK CP 700LINE
001		541199801	UPPER PLATE FOR 60T CP -66ET
001		531042800	SEMISPHERE FILTER
001		537034401	HEATING EL. CP-66E 10500W 230V3
001		546006100	RUBBER TUBE §25INT.*§33EXT.*L=540
001		544508700	
001		541140801	CONTROL PANEL S607090 CP-76E
001		537036500	TERMINAL BLOCK 4POLES 40A SCREW-SCR
001		537027400	TERMINAL BLOCK THREEPHASE 40A
001		531018600	BALL VALVE 1"G M-F CPM-62G
001		533039900	PIPE HOLDER 1" G M D.24
001		533038200	1" G M-F ELBOW FITTING
001		533040000	1"G F-F-F "T" FITTING
001		544508600	
001		531048400	INOX LEG Ø1"3/4 100-165 M10
002		544389300	CONTROP.73 SX APP. LT
002		531007600	DOOR HINGE
002		544182501	LEFT DOOR 73
002		533094200	S/S HANDLE FOR 70/90 SERIES
002		533035200	HANDLE SPACER
002		536000200	D.12 H.4 BUMPER
002		544389200	CONTROP.73 DX APP. LT
002		544182401	RIGHT DOOR 73
002		544182101	LEFT DOOR 74
002		544389500	INNER-DOOR OF LHD 74
002		544389400	CONTROP.74 DX APP. LT
002		544182001	RIGHT DOOR 74
002		544497000	PORTA 72 SX
002		544497100	CONTROP.72 SX APP. LT
002		544185101	RIGHT DOOR 74 CF
002		533107100	HANDLE SPACER OF CF-70
002		544185500	UPPER DOOR HINGE FOR COMPARTME CF70
002		531000900	MAGNET §22 KG.3 WITH DISK
002		544185201	INNER DOOR * 74DX
002		544185400	LOWER DOOR HINGE FOR COMPARTME CF70
002		544663900	LHD 74 DOOR FOR PCI
002		544663800	74 LHD OVEN INNER DOOR FOUR PCI
002		544662700	DOOR 74 DX PCI
002		544662600	CONTROP.74 DX APP. LT PCI
003		533155600	PERNO PER SENSORE ACQUA
003		536039100	GUIDA PER SENSORE ACQUA
003		536039000	GUARNIZ.O-RING 12,42X1,78 SILIC.
003		536039200	DISTANZIALE PER SENSORE ACQUA
003		533159400	RACC.UN.2 U.ELETTROV.ACQUA CP
003		533039300	BICONE §10
003		533009500	NIPPLE FOR BICONE 10S
003		537062900	ELETTROV.A.3/4GM-2Ø10JG 230V RPV
003		533065700	FITTING FOR WATER INPUT 1/2G
003		533048800	GASKET §30*§21*2 FIBRE
003		533048700	NUT 1/2G ZN

Page	Pos	Code	Description
003		533024400	HEXAGONAL NUT 1/2G TUBE D.10
003		537063000	ELETTROV.G.1/2GF-1/2GF 230V
003		539018800	BLANK INDEX FOR KNOB
003		539010900	ADHESIVE LABEL FOR DRAIN COCK
003		536034700	KNOB §77 4P. §08*6,5 F§30
003		539063600	ADHESIVE DISK 72 FOR DRAIN COCK
003		539054200	STAMP Ø20,5 CR."L" LOTUS R.
003		533136001	SCREW TAP WATER LOAD FOR CP S70/90
003		531037601	TAP FOR WATER 90°DX CP
003		533010800	TUBE NUT D.10 M16*1,5
003		533144900	MALE FITTING WATER INLET M16X1,5
004		537050300	COMMUTAT.4POS.3PHASE 43 32A CP UL
004		539018900	INDEX FOR KNOB W/RED SIGN
004		537037600	COMMUTATOR 4 POS.3PHASE S.43 32A
004		537000400	COMMUTATOR 1POS.SINGLEPHASE S49 16A
004		539060100	RED ADESIVE DISK FOR CPT-ET
004		536034400	KNOB §77 4P. §06*4,6 C/M
004		539063800	ADHESIVE DISK 72 4 P.DRAIN COCK USA
004		539054200	STAMP Ø20,5 CR."L" LOTUS R.
004		533093300	LOCKING PIN SWITCH S.43 THERMOST
004		537014100	WHITE WARNING LIGHT 250V
004		537014200	GREEN WARNING LIGHT 250V
004		537031901	RED WARNING LIGHT PCI 12V E FASTON