

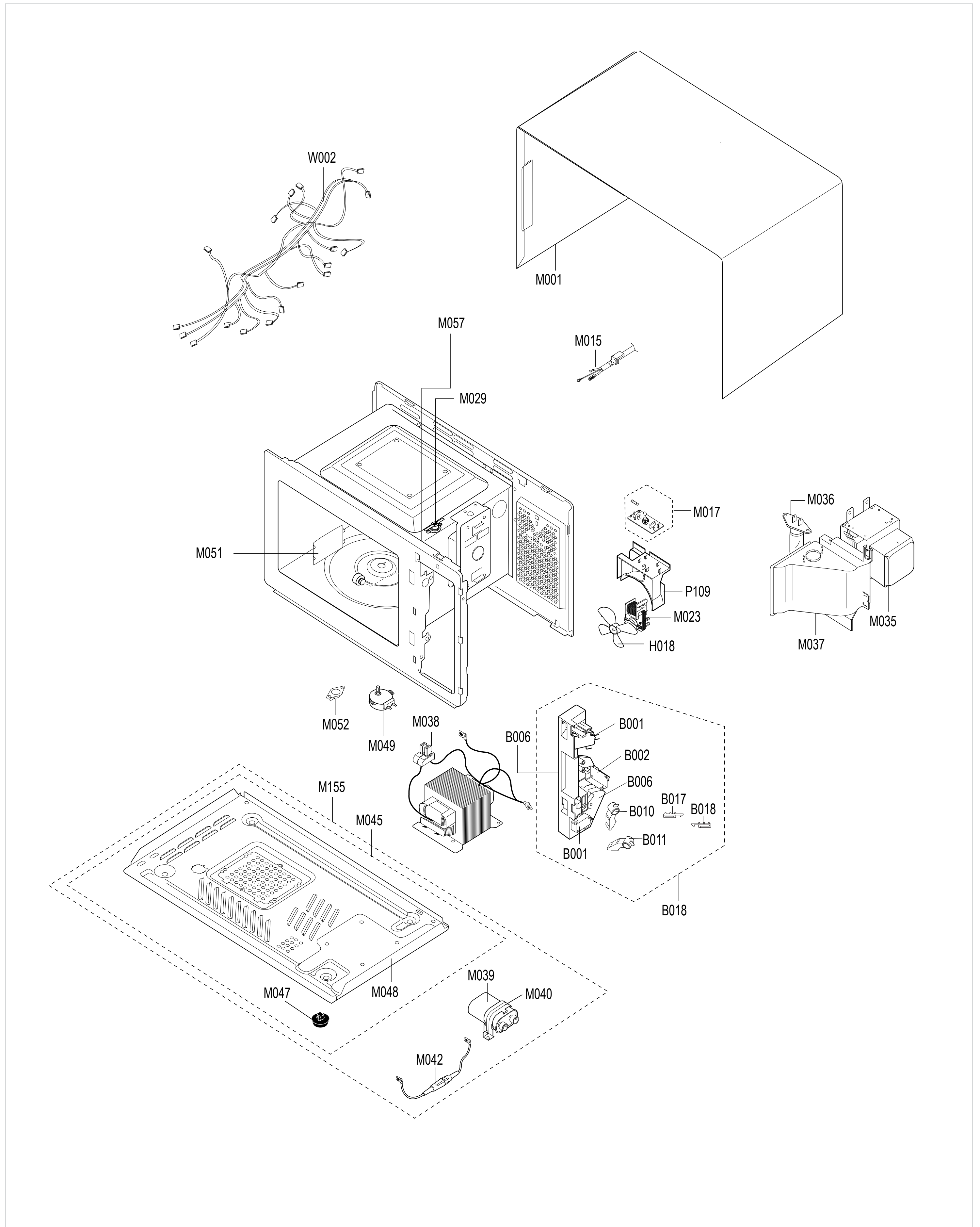


**Heißluftöfen & Snackgeräte
Mikrowellen**

Artikel-Nr. 213022 (CM 1039 A)

Explosionszeichnung / Ersatzteile

Bitte bei Ersatzteilbestellung immer Seriennummer mit angeben!



5. Exploded Views and Parts List

5-2 Main Parts List

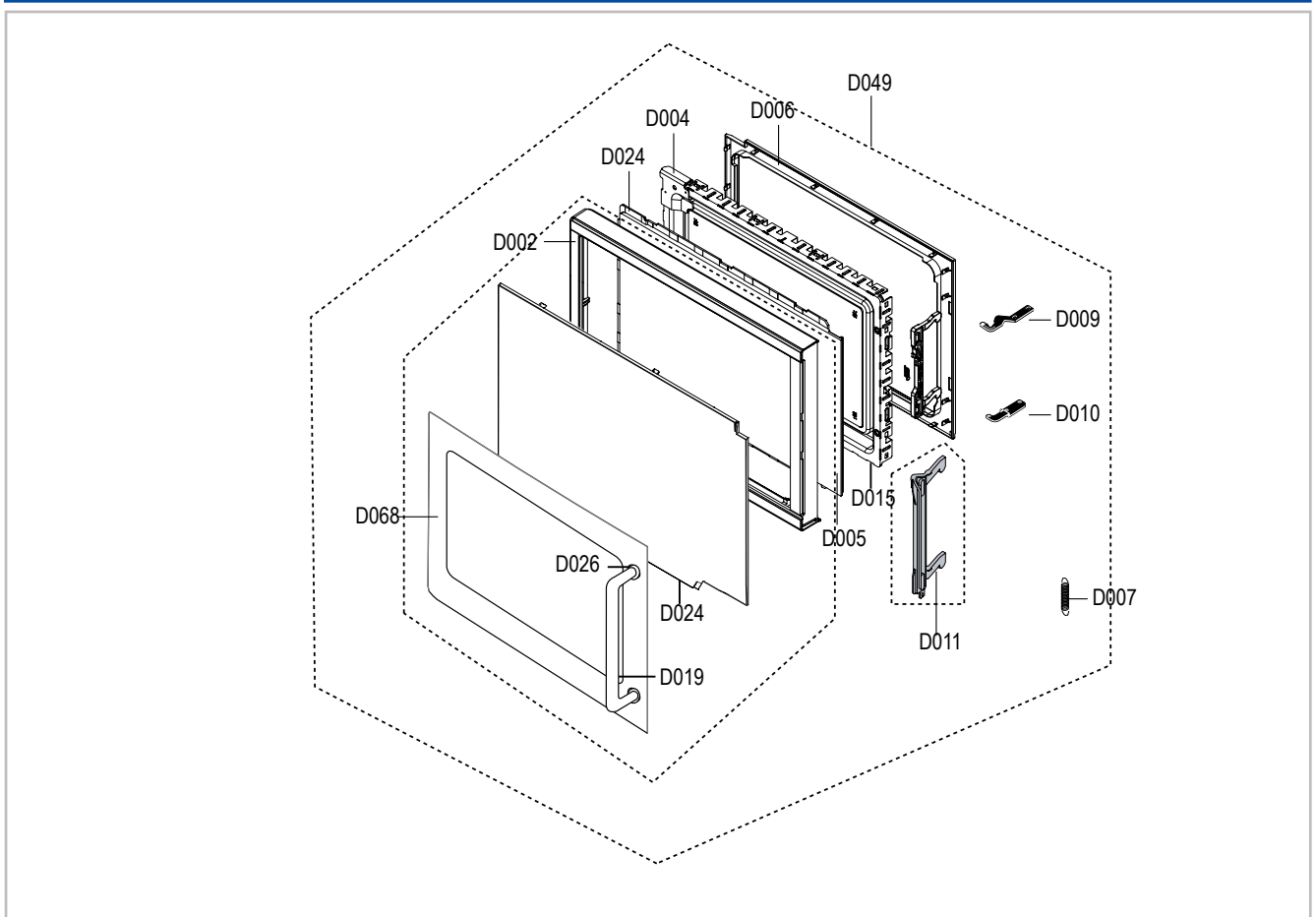
(S.N.A : SERVICE NOT AVAILABLE)

(CM1039-K/ CM1039A-K)

No.	Code No.	Description	Specification	Q'ty	SA/ SNA	Remark
B001	3405-001034	SWITCH-MICRO	125/250VAC,16A,200GF,SPST-N	1	SA	Body Latch
B002	3405-001034	SWITCH-MICRO	125/250VAC,16A,200GF,SPDT	1	SA	BODY LATCH
B006	DE72-00137G	LATCH-BODY	AMC6158/JMC9158,PBT(VB-5050G)	1	SA	-
B010	DE66-00093A	LEVER SWITCH (A)	NC2000 PP-TH53 NTR HA	1	SA	-
B011	DE66-00094A	LEVER-SWITCH(B)	NC2000,PP-TH53,-,-,-,N	1	SA	-
B017	DE66-00117D	LATCH-STOPPER	AMC6158/JMC9158,PP,-,-,-,B	1	SA	LATCH-UPPER
B018	DE96-00120Y	ASSY BODY LATCH	AMC6158/JMC9158,MAYTAG1.	1	SA	-
B026	DE66-00158A	LATCH-STOPPER(L)	MG1480STB/XAX,PP,-,-,-,	1	SA	LATCH-LOWER
H018	DE31-90051A	BLADE-FAN	P,P,T,D130,-,-,-,-	1	SA	-
M001	DE70-00011T	PANEL-OUTER	SECC T0.6 BLK COAT 360X1128	1	SA	-
M015	DE96-00639A	ASSY POWER CORD	CEE(F),EUROPE,250V/15A,2	1	SA	-
M017	DE96-00636A	ASSY NOISE FILTER	SN-3WEB(12),250V/12A,M	1	SA	-
M020	DE96-00108A	ASSY-MOTOR FAN	SMF-1049,230V50HZ,2500RPM	1	SNA	-
M023	DE31-10177C	MOTOR FAN	SMF-1049EA,-,-,230V50HZ,15MM,-	1	SA	-
M029	DE47-20173A	THERMOSTAT	PW-2N(90/60)30,187Y,250V7.5A,	1	SA	-
M035	OM75P(31)ESGN	ASSY-MGT		1	SNA	-
M036	4713-001046	LAMP-INCANDESCENT	240V,104mA,25W,ORG,-,-	1	SA	-
M037	DE71-60016E	COVER-AIR	CM1049,FH44N,-,-,-,-,-,SEMI-	1	SA	-
M038	DE26-00051A	TRANS H.V	SHV-E1049A,230V,50HZ,2255V/3.5	1	SA	-
M039	2501-001284	C-OIL	1.10UF,2100V(CLASS P),AL CAN TYPE,	1	SA	-
M040	DE61-00419A	BRACKET-HVC	CM1049,SECC,T0.8,-,-,-,-	1	SA	-
M042	DE91-70061H	ASSY-H.V.FUSE	THV060T-0900-H,5KV0.90A,WH	1	SA	-
M042	DE59-00002A	DIODE-H.V	2CL4512H,450mA, 13KV,MWO ALL,	1	SA	-
M045	DE96-00042A	ASSY BASE PLATE-SUB	3RD-1.0,SEPARATE-HIN	1	SA	-
M047	DE61-40066A	FOOT	-,PP,-,BLK,-,-,-	1	SA	-
M048	DE80-10001G	BASE-PLATE	3RD,SGCC,T0.8,W345,L565,-,-	1	SNA	-
M049	DE31-10173C	MOTOR SYNCHRONOUS	-,SEMI-COMM,-,-,-,21V,	1	SA	-
M051	DE71-00163A	COVER-CEILING	CM1049,-,T0.5,W122.2,L137.	1	SA	-
M052	DE73-90027A	FERRITE-CORE	NI-ZN,T13.8,W21.0,L28.0,BNF	1	SA	-
M057	DE93-90112C	ASSY-B/RESISTOR	10W LB-TYPE 15OHM,TERMIN	1	SA	-
M078	DE69-90054A	CLIP-STIRRER	5MM,PFA,CM1819/29,-,	1	SA	-
M155	DE96-00240A	ASSY BASE PLATE	CM1049/XEU,SEMI COMMERCIAL	1	SNA	-
P001	DE97-00190A	ASSY-STIRRER	CM1049,ALS	1	SA	-
P109	DE71-00061A	COVER-MOTOR	2&2 PROJECT,PP(TB53)95G,-,-,	1	SA	-
Q082	DE61-50029J	BRACKET-GEAR MOTOR	SEMI COMM,SECC,T0.6,1	1	SNA	-
T002	DE97-00191A	ASSY-TRAY CERAMIC	CM1049,T3.2,COMMERCIAL	1	SA	-
W002	DE39-00295A	WIRE HARNESS-A	CM1039,-,-,-,-,-,-,-,-,-,-,	1	SA	-

5. Exploded Views and Parts List

5-3 Door Part List



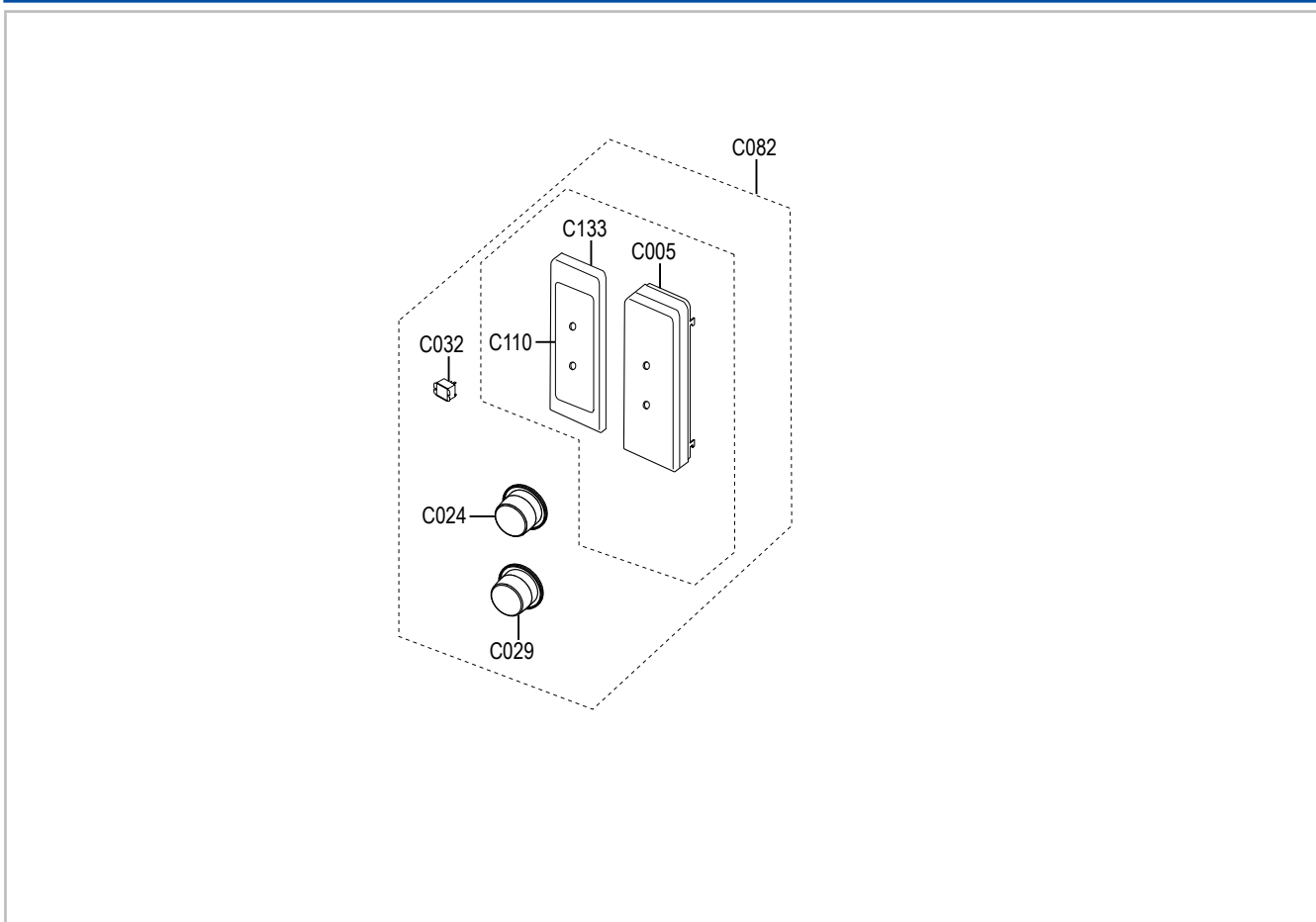
(S.N.A : SERVICE NOT AVAILABLE)

(CM1039-K/ CM1039A-K)

No.	Code No.	Description	Specification	Q'ty	SA/ SNA	Remark
D002	DE64-00075B	DOOR-A	CM1049,ABS(HR0370D),-,D-GRY/G3328	1	SA	-
D004	DE92-50127H	ASSY DOOR-E	COATING,BLACK,T0.8	1	SA	-
D005	DE01-00002B	FILM-DOOR	-,PC,-,175,T0.15,275,MW5574W,-	1	SA	-
D006	DE64-40012D	DOOR-C	JES1036NL02,ROH,-,EMBO HEIGHT 0.8	1	SA	-
D007	DE61-00199A	SPRING-KEY	M1977,HSWR,D6,-,25 1/4,-,T0	1	SA	-
D009	DE61-80002A	HINGE-UPPER	WHT,SHV-745CC1,SSEC,T2.3,26,	1	SA	-
D010	DE61-80003A	HINGE-LOWER	WHT,TN-5630T,SSEC,T2.3,26,77	1	SA	-
D011	DE64-00547D	KEY-DOOR	AMC6158,NYLON#66,-,-,-,-,-	1	SA	-
D015	DE94-00265R	ASSY DOOR-SUB	CM1039,SUS,SEMI COMMERCIAL	1	SA	-
D019	DE64-00076C	HANDLE	CMO EUROPE,CK99FS,ZN DIE CASTING,	1	SA	-
D024	DE63-00019G	SCREEN-DOOR(B)	CM1039,-,T3.2,-,-,-,-,-	1	SA	-
D026	DE64-00077A	HANDLE-COVER	CK99FS,PC,-,-,-,-,-	1	SA	-
D049	DE94-00267K	ASSY DOOR	CM1039,SUS+ABS,SEMI COMMERCIAL	1	SA	-
D068	DE80-00009A	CHASSIS-DOOR	CK99FS,STS,-,-,-,-,-	1	SA	-

5. Exploded Views and Parts List

5-4 Control Part List



(S.N.A : SERVICE NOT AVAILABLE)

(CM1039-K/ CM1039A-K)

No.	Code No.	Description	Specification	Q'ty	SA/ SNA	Remark
C082	DE94-00489E	ASSY CONTROL BOX	CM1039A-K/XEU,-,STS+D/G	1	SNA	-
C005	DE72-00159A	CONTROL-PANEL	CM1039,ABS,-,-,-,D/GRAY,	1	SA	-
C024	DE45-10074H	TIMER	TMFK35MTM1,TSM-35M01A3,VTPA35MTM1	1	SA	-
C029	DE64-02058A	KNOB-DIAL	CM1039-K,ABS,-,-,-,BLK,-,-	1	SA	-
C032	3501-000309	RELAY-POWER	240V,3750VA,15A,-,6mS,20mS	1	SA	-
C110	DE64-00278D	DECORATION-PANEL	CM1039A-K/XEU,PET,T0.5,	1	SA	-
C133	DE80-00017B	CHASSIS-PANEL	CM1039,STS,-,-,-,SEMI-CO	1	SA	-

5. Exploded Views and Parts List

5-5 Standard Parts List

(S.N.A : SERVICE NOT AVAILABLE)

(CM1039-K/ CM1039A-K)

Level	Code No.	Description	Specification	Q'ty	SA/SNA	Remark
1-1	6002-001250	SCREW-TAPPING	TH,+2,M4,L8,Tin-Ni,SWRC18	1	SNA	C/CEILING
1-1	6006-001170	SCREW-ASSY TAPP	WS,TH,+,M4,L10,ZPC(YEL)	2	SA	N/F-EAR,P/C-EAR
1-1	6006-001176	SCREW-ASSY TAPT	WT,PH,+,M4,L8,ZPC(YEL)	1	SNA	DRIVE MOTOR
1-1	DE60-10080A	SCREW-WASHER	-,,-, -,M5,L12,-,2S,-,-	2	SA	HVT,MGT
1-1	DE60-10082I	SCREW-A	-,,-, -,2S-4X10,FEFZY,-,-,-,-	7	SA	B-PLTE,BODY LATCH,CONTROL BOX,COVER AIR,FAN MOTOR,
1-1	DE60-10199A	SCREW-WASHER	-,MSWR18C,4,L10,TH(WASHER),	1	SA	BKT RESISTOR
1-3	DE80-00009A	SCREW-A	-,,-, -,2S-4X10,FEFZY,-,-,-,-	1	SA	HANDLE
1-2	DE60-10082I	SCREW-A	-,,-, -,2S-4X10,FEFZY,-,-,-,-	2	SA	RELAY,TIMER
1-2	DE60-10104A	SCREW-TAP	-, -,FZY(MSWR10),-,PH,+M4X25,-,		SNA	
1-3	6006-001170	SCREW-ASSY TAPP	WS,TH,+,M4,L10,ZPC(YEL)	1	SA	COVER MOTOR
1-2	6006-001176	SCREW-ASSY TAPT	WT,PH,+,M4,L8,ZPC(YEL)	1	SNA	BKT HVC & DIODE
1-1	DE60-20063A	BOLT-FLANGE	M4,10,ZPC3,YEL,MSWR,-,-,-,-	2	SNA	LOWER HINGE,UPPER HINGE