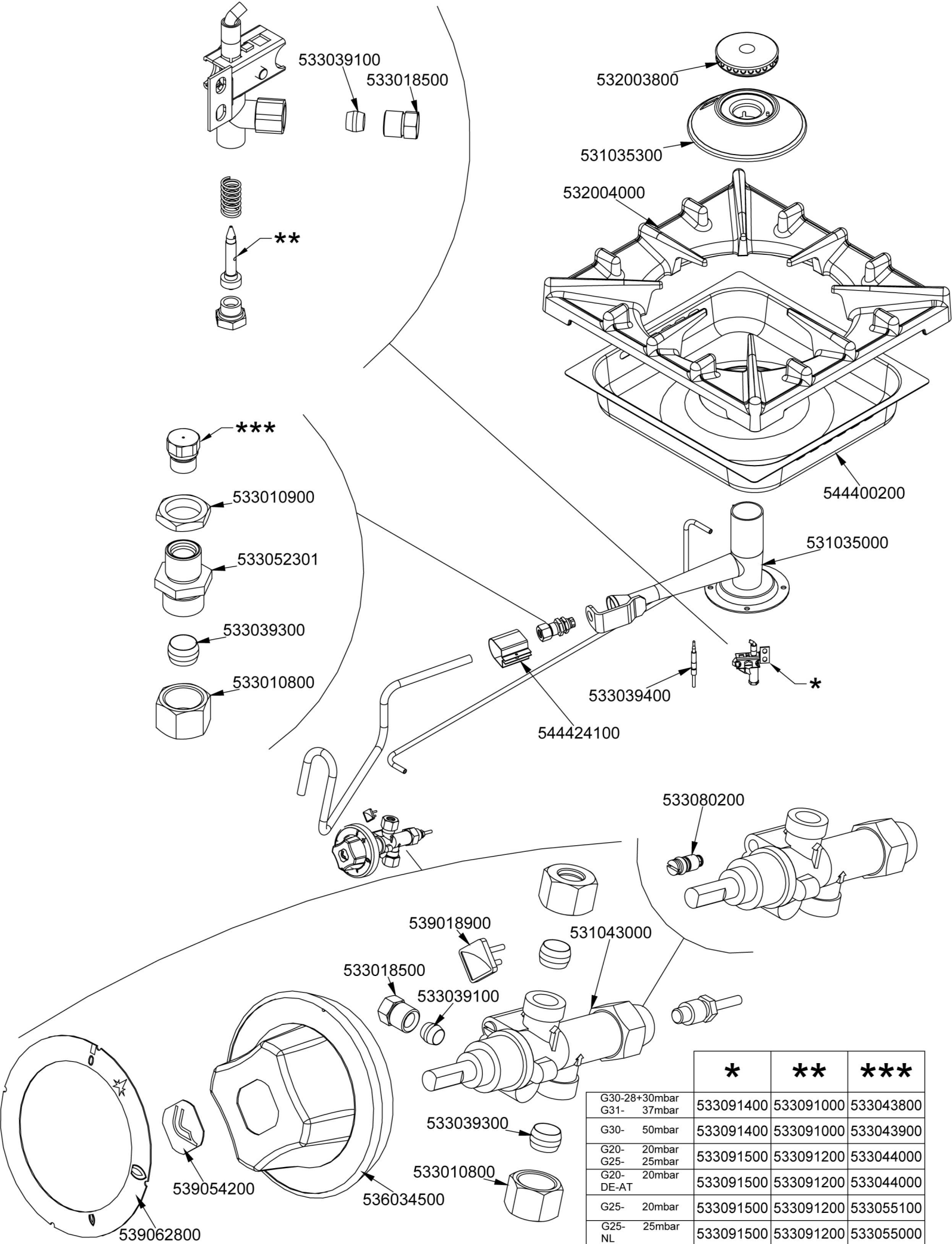
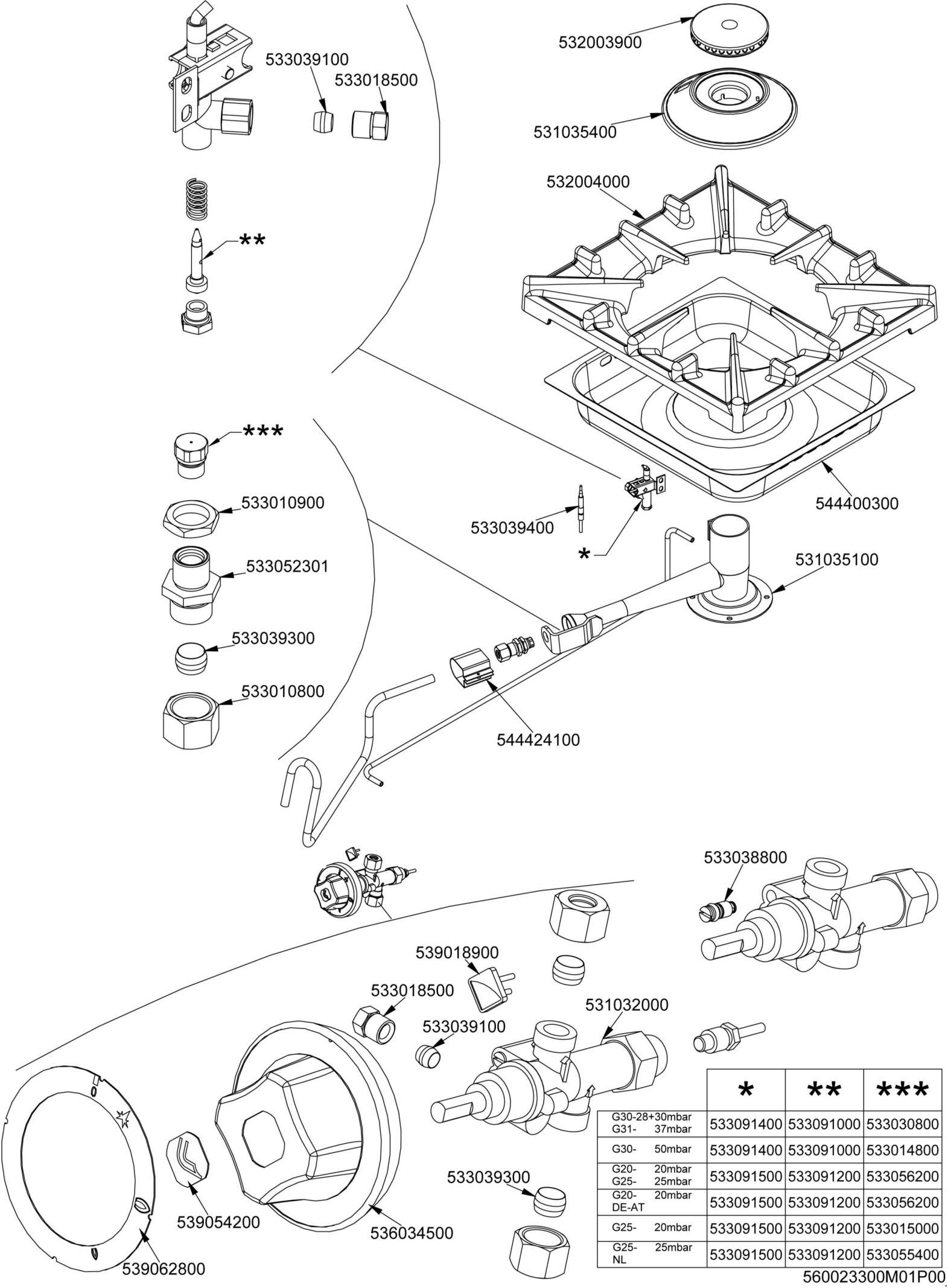


|               | *         | **        | ***       |
|---------------|-----------|-----------|-----------|
| G30-28+30mbar | 533091400 | 533091000 | 533030100 |
| G31- 37mbar   | 533091400 | 533091000 | 533014700 |
| G30- 50mbar   | 533091400 | 533091000 | 533014700 |
| G20- 20mbar   | 533091500 | 533091200 | 533015200 |
| G25- 25mbar   | 533091500 | 533091200 | 533015200 |
| G20- 20mbar   | 533091500 | 533091200 | 533015200 |
| G25- 20mbar   | 533091500 | 533091200 | 533030300 |
| G25- 25mbar   | 533091500 | 533091200 | 533014900 |
| G25- NL       | 533091500 | 533091200 | 533014900 |



|                   | *         | **        | ***       |
|-------------------|-----------|-----------|-----------|
| G30-28+30mbar     | 533091400 | 533091000 | 533043800 |
| G31- 37mbar       | 533091400 | 533091000 | 533043900 |
| G30- 50mbar       | 533091500 | 533091200 | 533044000 |
| G20- 20mbar       | 533091500 | 533091200 | 533044000 |
| G25- 25mbar       | 533091500 | 533091200 | 533055100 |
| G20- 20mbar DE-AT | 533091500 | 533091200 | 533055000 |
| G25- 20mbar       | 533091500 | 533091200 | 533055000 |
| G25- 25mbar NL    | 533091500 | 533091200 | 533055000 |



|                              | *         | **        | ***       |
|------------------------------|-----------|-----------|-----------|
| G30-28+30mbar<br>G31- 37mbar | 533091400 | 533091000 | 533030800 |
| G30- 50mbar                  | 533091400 | 533091000 | 533014800 |
| G20- 20mbar<br>G25- 25mbar   | 533091500 | 533091200 | 533056200 |
| G20- 20mbar<br>DE-AT         | 533091500 | 533091200 | 533056200 |
| G25- 20mbar                  | 533091500 | 533091200 | 533015000 |
| G25- 25mbar<br>NL            | 533091500 | 533091200 | 533055400 |

| Page | Pos | Code      | Description                         |
|------|-----|-----------|-------------------------------------|
| 001  |     | 532004100 | FLUE GRID L=370 90LINE (RAF         |
| 001  |     | 541117100 | UPPER PLATE PC-94G                  |
| 001  |     | 544407400 | LEFT SIDE PANEL 70 LINE             |
| 001  |     | 541119200 | FRONT PANEL PC-94G                  |
| 001  |     | 533023600 | TAP PLUG §10 M16*1, 5CH19           |
| 001  |     | 544407300 | RIGHT SIDE PANEL 90 LINE            |
| 001  |     | 533039300 | BICONE §10                          |
| 001  |     | 533010800 | TUBE NUT D.10 M16*1,5               |
| 001  |     | 536005200 | INOX LEG 2" 120-180 M10             |
| 002  |     | 533009200 | REDUCTION GRATE FOR 65-70LINES+FO   |
| 002  |     | 532003700 | BURNER COVER RING §060              |
| 002  |     | 531035200 | SMALL BURNER BODY 90 LINE           |
| 002  |     | 533010900 | NUT M14*1 H.4                       |
| 002  |     | 533052301 | JOINT FOR NOZZLE HOLDER             |
| 002  |     | 533039300 | BICONE §10                          |
| 002  |     | 533010800 | TUBE NUT D.10 M16*1,5               |
| 002  |     | 532004000 | 1 FLAME GRILL 396X366 (90           |
| 002  |     | 544400100 | BURNER DRIP PAN 2/3                 |
| 002  |     | 531034900 | SMALL BURNER VENTURI 90 LINE        |
| 002  |     | 544424100 | AIR ADJUSTMENT BUSHING*BURNER PC90  |
| 002  |     | 533039100 | BICONE §6                           |
| 002  |     | 533018500 | FITTING FOR BICONE D.6 M10*1        |
| 002  |     | 533045700 | THERMOCOUPLE M9*1 500               |
| 002  |     | 539018900 | INDEX FOR KNOB W/RED SIGN           |
| 002  |     | 531042900 | B.PASS §60 SAFETY COCK PC/CF 90     |
| 002  |     | 533069100 | BY PASS COCK §60 20S                |
| 002  |     | 539062800 | RED STICKING DISK 72                |
| 002  |     | 539054200 | STAMP Ø20,5 CR."L" LOTUS R.         |
| 002  |     | 536034500 | KNOB §77 4P. §08*6,5                |
| 002  |     | 533091400 | P.NOZZLE S100 UG.§20 PC90 LPG-FLUS  |
| 002  |     | 533091500 | PILOT NOZZLE S.100 §30 PC90 NAT.GAS |
| 002  |     | 533091000 | NOZZLE 0.100 §20                    |
| 002  |     | 533091200 | PILOT NOZZLE 0100 Ø35 PIL.PC        |
| 002  |     | 533030100 | NOZZLE §95 CH12*14 G-FP             |
| 002  |     | 533014700 | NOZZLE §85 CH12*14 F-FQ5            |
| 002  |     | 533015200 | NOZZLE §145 CH12*14 F-FP/CP6        |
| 002  |     | 533030300 | NOZZLE §160 CH12*14 M-FPG           |
| 002  |     | 533014900 | NOZZLE §150 CH12*14 F-FQ5 L-FQ6     |
| 003  |     | 533039100 | BICONE §6                           |
| 003  |     | 533018500 | FITTING FOR BICONE D.6 M10*1        |
| 003  |     | 532003800 | BURNER COVER RING §082              |
| 003  |     | 531035300 | MEDIUM BURNER BODY 90 LINE          |
| 003  |     | 532004000 | 1 FLAME GRILL 396X366 (90           |
| 003  |     | 544400200 | BURNER DRIP PAN 2/3                 |
| 003  |     | 533010900 | NUT M14*1 H.4                       |
| 003  |     | 531035000 | MEDIUM BURNER VENTURI 90 LINE       |
| 003  |     | 533052301 | JOINT FOR NOZZLE HOLDER             |
| 003  |     | 533039300 | BICONE §10                          |
| 003  |     | 533010800 | TUBE NUT D.10 M16*1,5               |
| 003  |     | 533039400 | THERMOCOUPLE M9*1*850               |
| 003  |     | 544424100 | AIR ADJUSTMENT BUSHING*BURNER PC90  |

| Page | Pos | Code      | Description                         |
|------|-----|-----------|-------------------------------------|
| 003  |     | 533080200 | BY PASS COCK §65 20S-21S            |
| 003  |     | 539018900 | INDEX FOR KNOB W/RED SIGN           |
| 003  |     | 531043000 | GAS COCK 21S P.V. BY-PASS §065      |
| 003  |     | 539054200 | STAMP Ø20,5 CR."L" LOTUS R.         |
| 003  |     | 536034500 | KNOB §77 4P. §08*6,5                |
| 003  |     | 539062800 | RED STICKING DISK 72                |
| 003  |     | 533091400 | P.NOZZLE S100 UG.§20 PC90 LPG-FLUS  |
| 003  |     | 533091500 | PILOT NOZZLE S.100 §30 PC90 NAT.GAS |
| 003  |     | 533091000 | NOZZLE 0.100 §20                    |
| 003  |     | 533091200 | PILOT NOZZLE 0100 Ø35 PIL.PC        |
| 003  |     | 533043800 | NOZZLE §130 CH12*14 G-CW4           |
| 003  |     | 533043900 | NOZZLE §115 CH12*14 F-CW4           |
| 003  |     | 533044000 | NOZZLE §195 CH12*14 M-CW4           |
| 003  |     | 533055100 | NOZZLE §215 CH12*14 L-CW4           |
| 003  |     | 533055000 | NOZZLE §205 CH12*14 G25 CW4         |
| 004  |     | 533039100 | BICONE §6                           |
| 004  |     | 533018500 | FITTING FOR BICONE D.6 M10*1        |
| 004  |     | 532003900 | BURNER COVER RING §100              |
| 004  |     | 531035400 | BIG BURNER BODY 90 LINE             |
| 004  |     | 532004000 | 1 FLAME GRILL 396X366 (90           |
| 004  |     | 533010900 | NUT M14*1 H.4                       |
| 004  |     | 533039400 | THERMOCOUPLE M9*1*850               |
| 004  |     | 544400300 | BURNER DRIP PAN 2/3                 |
| 004  |     | 533052301 | JOINT FOR NOZZLE HOLDER             |
| 004  |     | 531035100 | BIG BURNER VENTURI 90 LINE          |
| 004  |     | 533039300 | BICONE §10                          |
| 004  |     | 533010800 | TUBE NUT D.10 M16*1,5               |
| 004  |     | 544424100 | AIR ADJUSTMENT BUSHING*BURNER PC90  |
| 004  |     | 533038800 | 75 BY-PASS FOR 21S TAP              |
| 004  |     | 531032000 | GAS COCK P.V.BY-PASS Ø075           |
| 004  |     | 539018900 | INDEX FOR KNOB W/RED SIGN           |
| 004  |     | 536034500 | KNOB §77 4P. §08*6,5                |
| 004  |     | 539054200 | STAMP Ø20,5 CR."L" LOTUS R.         |
| 004  |     | 539062800 | RED STICKING DISK 72                |
| 004  |     | 533091400 | P.NOZZLE S100 UG.§20 PC90 LPG-FLUS  |
| 004  |     | 533091500 | PILOT NOZZLE S.100 §30 PC90 NAT.GAS |
| 004  |     | 533091000 | NOZZLE 0.100 §20                    |
| 004  |     | 533091200 | PILOT NOZZLE 0100 Ø35 PIL.PC        |
| 004  |     | 533030800 | NOZZLE §155 CH12X14 M-CW            |
| 004  |     | 533014800 | NOZZLE §135 CH12*14,0               |
| 004  |     | 533056200 | NOZZLE §230 CH12*14                 |
| 004  |     | 533015000 | NOZZLE D.I 260 G110 (TOWN GAS       |
| 004  |     | 533055400 | NOZZLE §245 CH12*14                 |