



SHELL ASSY

COOLING SYSTEM

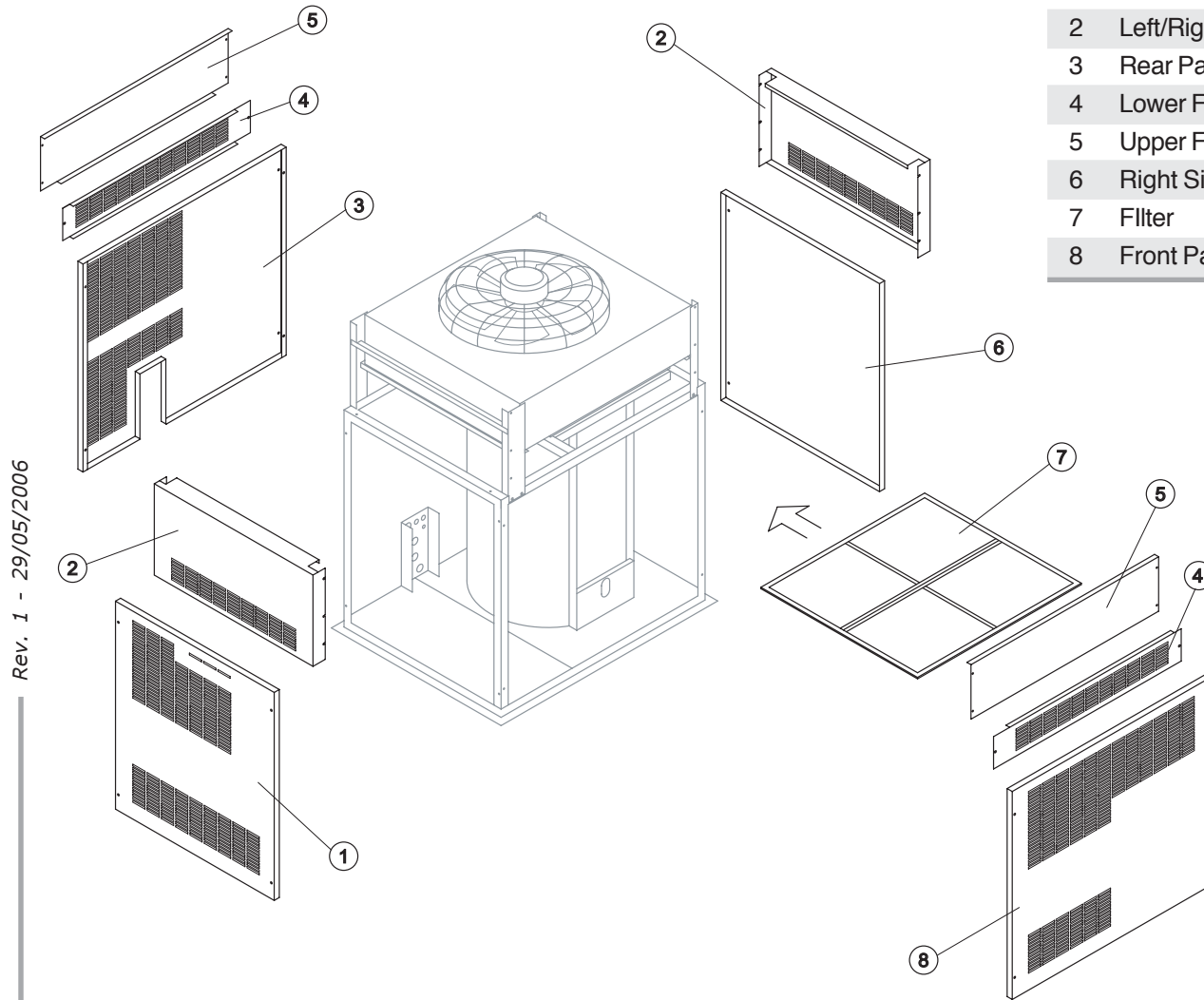
EVAPORATOR

PUMP

ELECTRIC PARTS



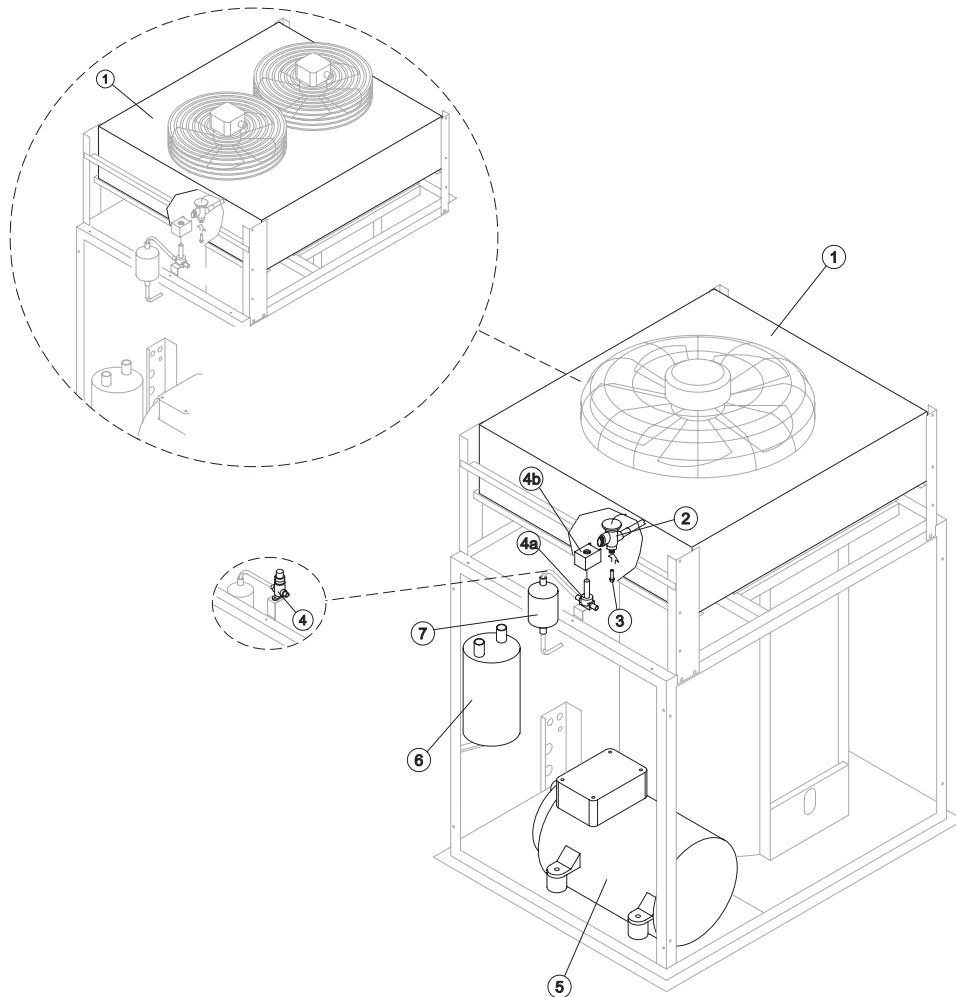
| Ref. | Spare Description | Code |
|------|----------------------------------|---------|
| 1 | Left Side Panel | 22025 |
| 2 | Left/Right Condenser Panel | 22030 |
| 3 | Rear Panel | 22045 |
| 4 | Lower Front/Rear Condenser Panel | 22028 |
| 5 | Upper Front/Rear Condenser Panel | 22029 |
| 6 | Right Side Panel | 22026 |
| 7 | Filter | 18191 |
| 8 | Front Panel | C22021B |



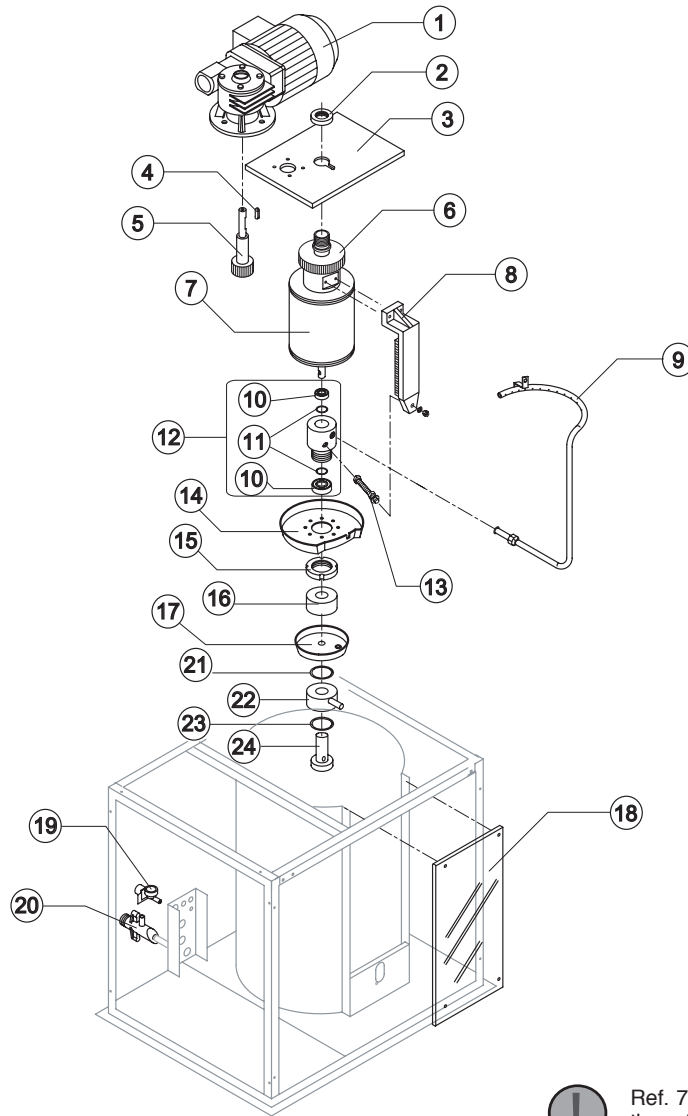
Rev. 1 - 29/05/2006



Till s/n. 315590



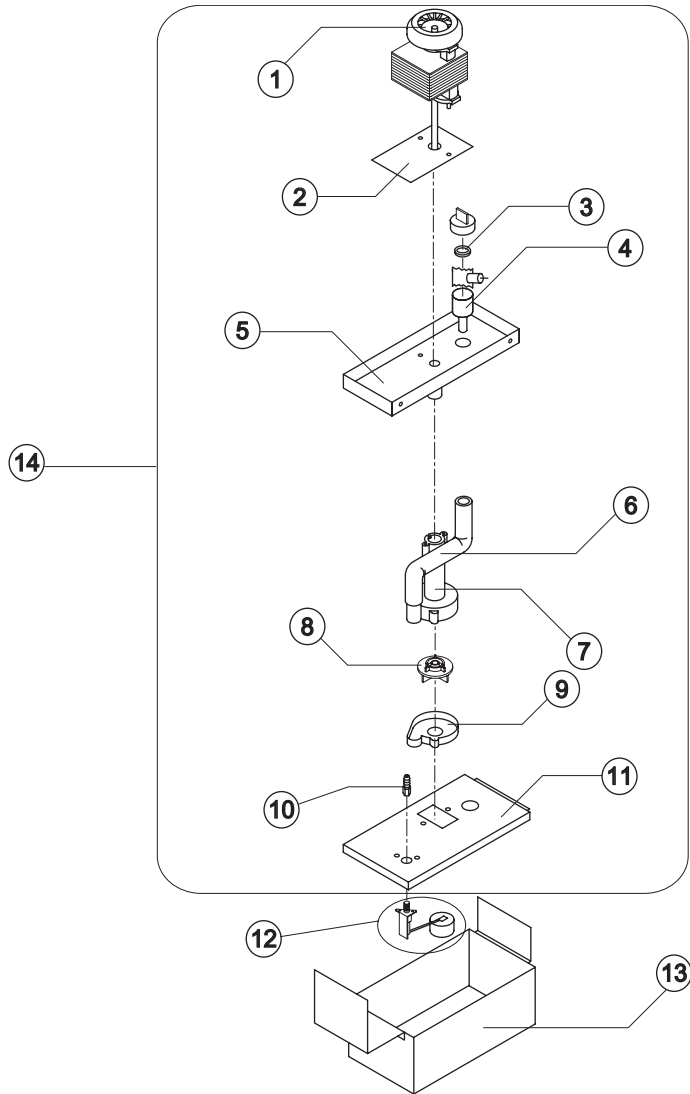
| Ref. | Spare Description | Code | |
|------|---------------------|------------------|-------|
| 1 | Air Condenser | Current Version | 20837 |
| 1 | Air Condenser | Till s/n. 315590 | 20806 |
| 2 | Expansion Valve | | 20826 |
| 3 | Orifice | | 20794 |
| 4a | Solenoid Valve Body | Current Version | 20409 |
| 4b | Solenoid Valve Coil | Current Version | 23091 |
| 4 | Tap | Till s/n. 308478 | 20793 |
| 5 | Compressor | Current version | 23841 |
| 5 | Compressor | Till s/n. 315590 | 23828 |
| 6 | Liquid Separator | | 20805 |
| 7 | Solid Core Drier | | 14255 |



| Ref. | Spare Description | Code |
|------|---------------------------------|-----------------|
| 1 | Motor with Reduction Gear Assy | 23389 |
| 2 | Cylinder Locking Ring Nut | 20765 |
| 3 | Evaporator Support Plate | 20745 |
| 4 | Key 6x6x40 | 20350 |
| 5 | Pinion with Shaft for Gearmotor | 20789 |
| 6 | Ring Gear | 20763 |
| 7 | Evaporator | See Note C20776 |
| 8 | Scraper | 20768 |
| 9 | Sprayer Ring | 20748 |
| 10 | Stainless Steel Bearing | 20752 |
| 11 | Silicone OR 144 Gasket | 20750 |
| 12 | Complete Rotating Ring | C20773 |
| 13 | Tie Rod (to Block Scraper) | 20769 |
| 14 | Rotating Basin | 10443 |
| 15 | Ring Nut for Rotating Ring | 10469 |
| 16 | Spacer | 20767 |
| 17 | Fixed Basin | C10192 |
| 18 | Evaporator Chamber Shield | 10444 |
| 19 | 1 Way- Water Inlet Nipple | 10239 |
| 20 | Discharges Manifold | 10423 |
| 21 | Silicone Gasket | 13006 |
| 22 | Water Inlet Ring | 20774 |
| 23 | Polythene Gasket | 13070 |
| 24 | Screw | 20756 |



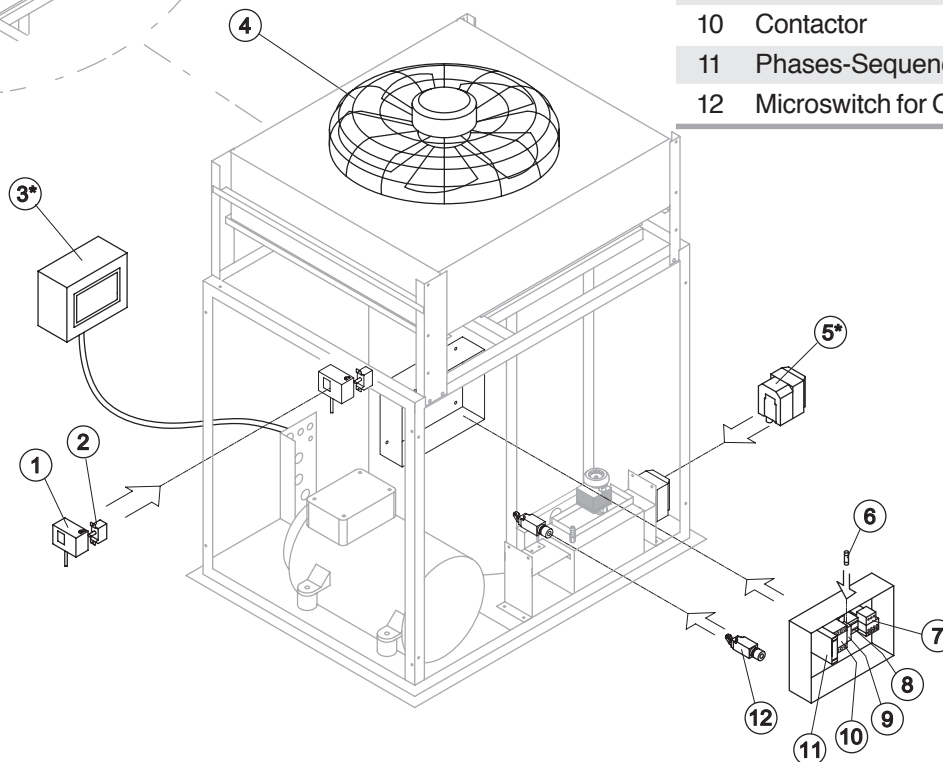
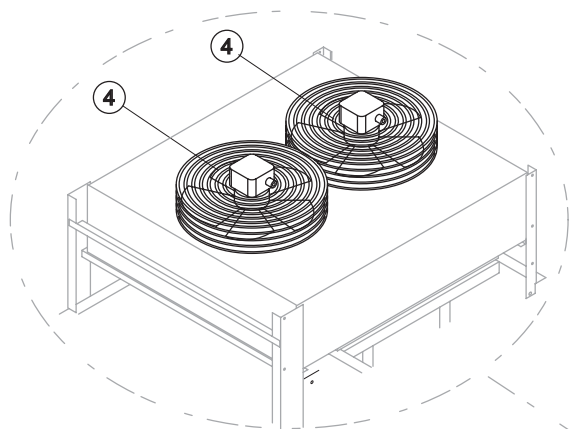
Ref. 7 - Evaporator Assembly (Code C20776) includes also the ref. 2 - 6 - 8 - 10 - 11 - 13 - 15 - 16 - 22 - 24.



| Ref. | Spare Description | Code |
|------|-----------------------------|--------|
| 1 | Pump | 23600 |
| 2 | Heat Dissipator | 22430 |
| 3 | Pump Filter Gasket | 13080 |
| 4 | Filtering Element | 20254 |
| 5 | Pump Motor Support | 10161 |
| 6 | Pump-Filter Connection Pipe | 13084 |
| 7 | Pump Body | 10065 |
| 8 | Pump Impeller | 10066 |
| 9 | Diffusor | 10067 |
| 10 | Connection | 20799 |
| 11 | Water Pump Basin Cover | 22420 |
| 12 | Floating Valve | 10188 |
| 13 | Water Pump Basin | C22443 |
| 14 | Pump and Filter Assy | C26732 |



Till s/n. 315590



| Rif. | Descrizione Ricambio | Codice |
|------|--|------------------------|
| 1 | Pressure Switch | 23763 |
| 2 | Pressure Switch | 23342 |
| 3* | Remote Electric Panel (optional) | C27263 |
| 4 | Fan Motor with Grid | Current Version 23839 |
| 4 | Fan Motor with Grid | Till s/n. 315590 23792 |
| 5* | Saline Solution Dosing Pump (optional) | 23796 |
| 6 | Fuse 2A 500V | 23813 |
| 7 | Thermal Protection | 23528 |
| 8 | Contactor | 23594 |
| 9 | Fuse Block | 23797 |
| 10 | Contactor | 23398 |
| 11 | Phases-Sequence Sensor | 23649 |
| 12 | Microswitch for Overflow Ice | 23746 |