



GB 1540

LIST OF THE EXPLODED VIEWS



SHELL ASSY

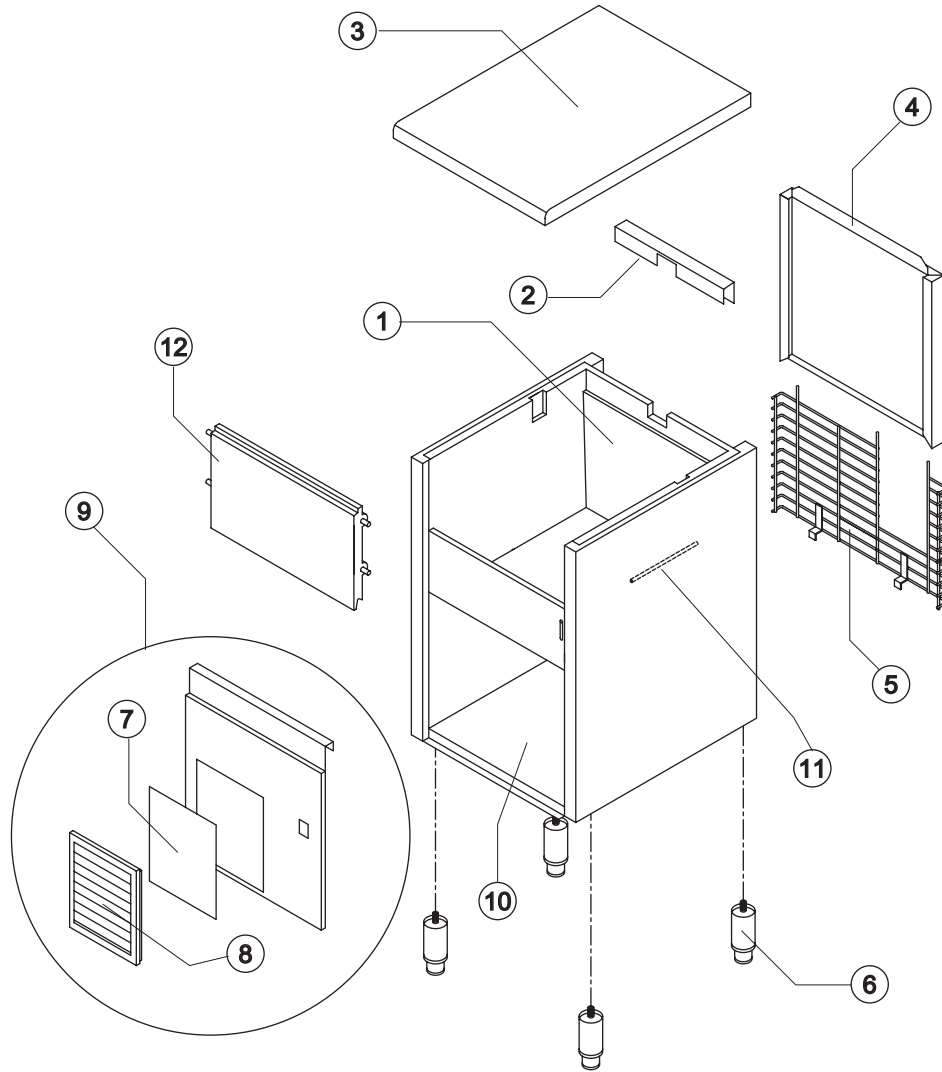
COOLING SYSTEM

EVAPORATOR

HYDRAULIC CIRCUIT

ELECTRIC PARTS

Rev. 10 - 17/06/2009

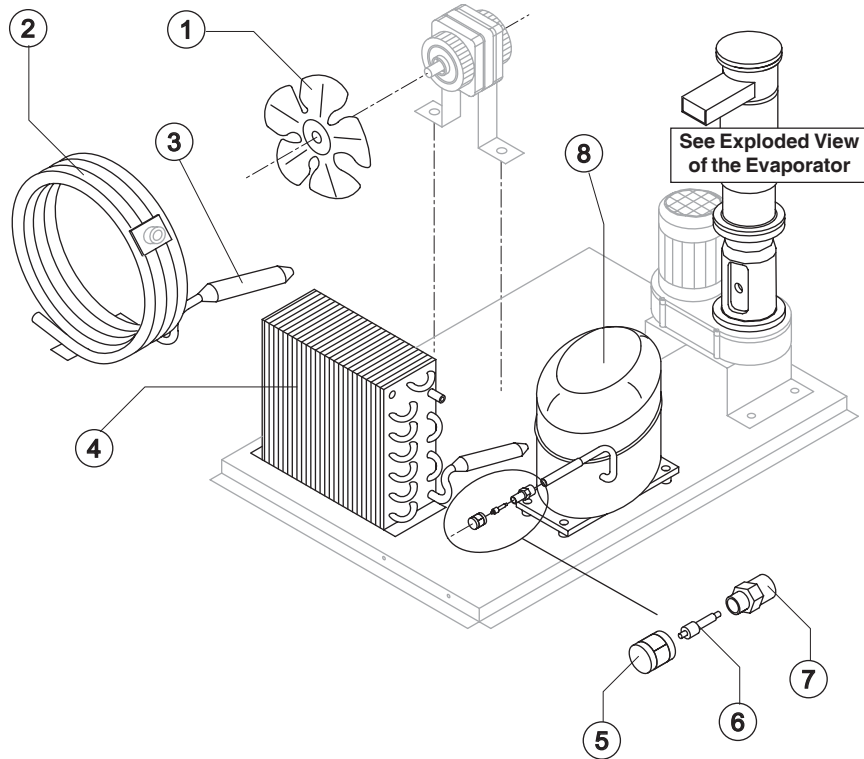


Rev. 10 - 17/06/2009

Ref.	Spare Description	Code
1	Foamed Cabinet Assy	See Table
2	Cover for Ice Exhaust	22592
3	Top Assembly	C22690
4	Rear Panel Assembly	C21201
5	Rear Grid	D12020
6	Adjustable Stainless Steel Foot	Current Version
6	ABS Foot	Till s/n. 142485
7	Filtering Panel	18106
8	Frame + Grid & Filter	C10205
9	Front Grid Panel	C22509
10	Base Plate	Current Version
10	Base Plate	Till s/n.142485
11	Bulbe-holder Pipe	20522
12	Door Assy	C10275

Ref. 1 - Foamed Cabinet Assy

Condensation	Code
Air	C11097A
Water	C11097W



Common Parts

Ref.	Spare Description	Code
3	Molecular Drier	14009
5	Vacuum-Charge Valve Plug	14006
6	Vacuum-Charge Valve Body	14005
7	Vacuum-Charge Valve Device	14007
8	Compressor	See Table -

Parts for Air-Cooled Version Only

Ref.	Spare Description	Code
1	Sucking Fan	20031
4	Air Condenser	Current Version 20558
4	Air Condenser	Till s/n. 347947 20175
4	Air Condenser	Till s/n.74774 20019

Parts for Water-Cooled Version Only

Ref.	Spare Description	Code
1	Sucking Fan	10213
2	Water Condenser	14014

Ref. 8 - Compressor

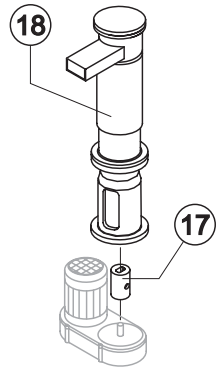
Tension	Code
T11	23832
T12	23578A
T13	23679
T19	23679



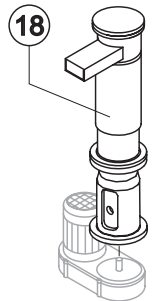
GB 1540

EVAPORATOR

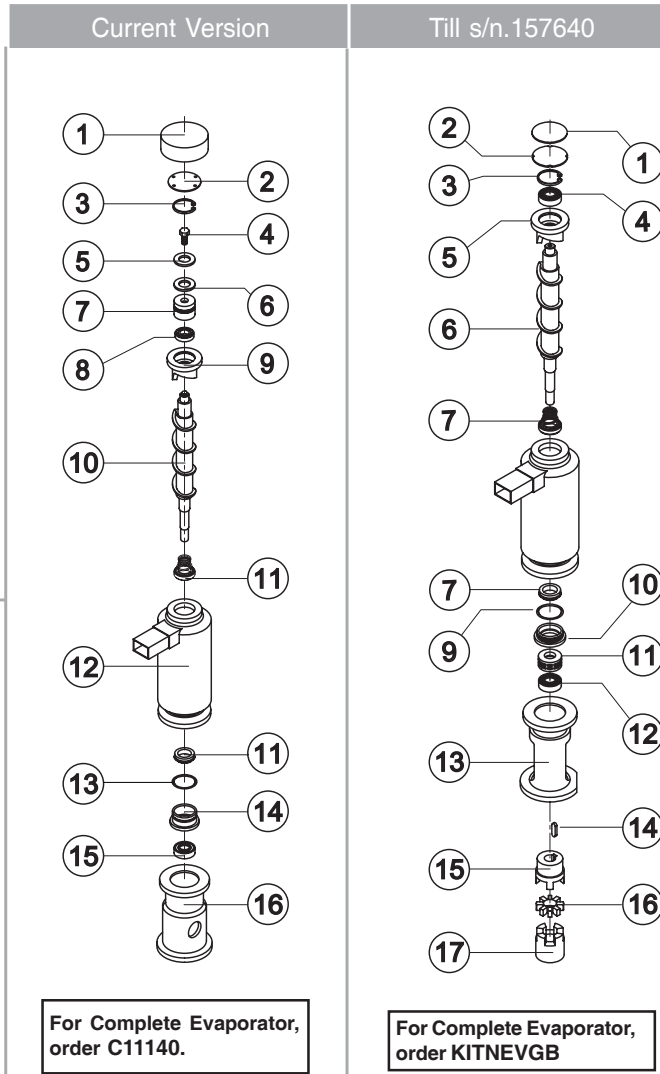
Rev. 10 - 17/06/2009



C11140

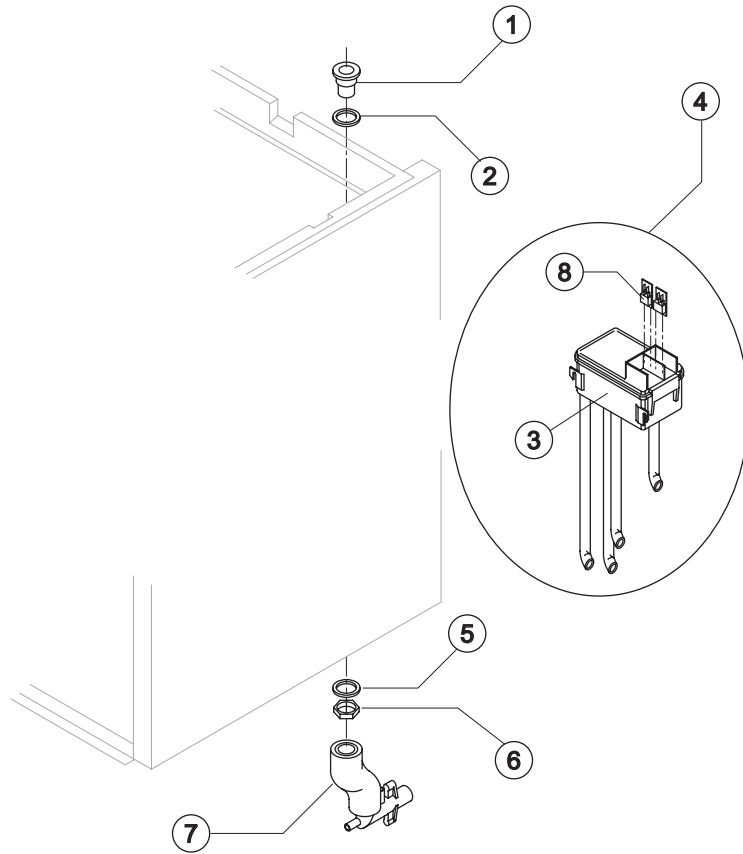


KITNEVGB



Ref.	Spare Description (Current Version)	Code
1	Insulating Cap	Current Version 18170
1	Insulating Cap	Till s/n. 180719 18164
2	Closing Disk	22825
3	Seeger	20043
4	Stainless Steel Screw	Current Version 20663
4	Stainless Steel Screw	Till s/n. 161504 15093
5	Shimming Disk	22826
6	Self-Lubricating Disk	20631
7	Stainless Steel Thrust Bearing	20686
8	OR Gasket 3087	Current Version 20688
8	Seal Ring	Till s/n. 211897 20632
9	Ice Breaker	20626
10	Auger	Current Version 20783
10	Auger with Screw	Till s/n. 223592 C20783
11	Ceramic Seal	20937
12	Insulated Evaporator	C11107
13	OR Gasket 3162 NBR70	20429
14	Reduction Ring	Current Version 20785
14	Reduction Ring	Till s/n. 223592 20624
15	Stainless Steel Bearing	Current Version 20782
15	Stainless Steel Bearing	Till s/n. 223592 20045
16	Flange	20629
17	Joint	Current Version D20784
17	Joint	Till s/n. 223592 D20630
18	Evaporator Assy	Current Version C11140
18	Evaporator Assy	Till s/n. 223592 KITNEVGB

Ref.	Spare Description (Till s/n.157640)	Code
1	Insulating Sponge	18116
2	Closing Disk	22588
3	Seeger Ring	20434
4	Stainless Steel Upper Bearing	20433
5	Ice Breaker	20440
6	Auger	20439
7	Ceramic Seal	20428
9	OR Gasket 3162 NBR70	20429
10	Reduction Ring	20427
11	Stainless Steel Thrust Bearing	20049
12	Stainless Steel Bearing	20045
13	Machined Joint Flange	E20438
14	Key	20431
15	Semi-Joint	D20430
16	Vibration-Damping Elastomer	20455
17	Semi-Joint	D20454
18	Evaporator Assy	ex C11095 KITNEVGB



Common Parts

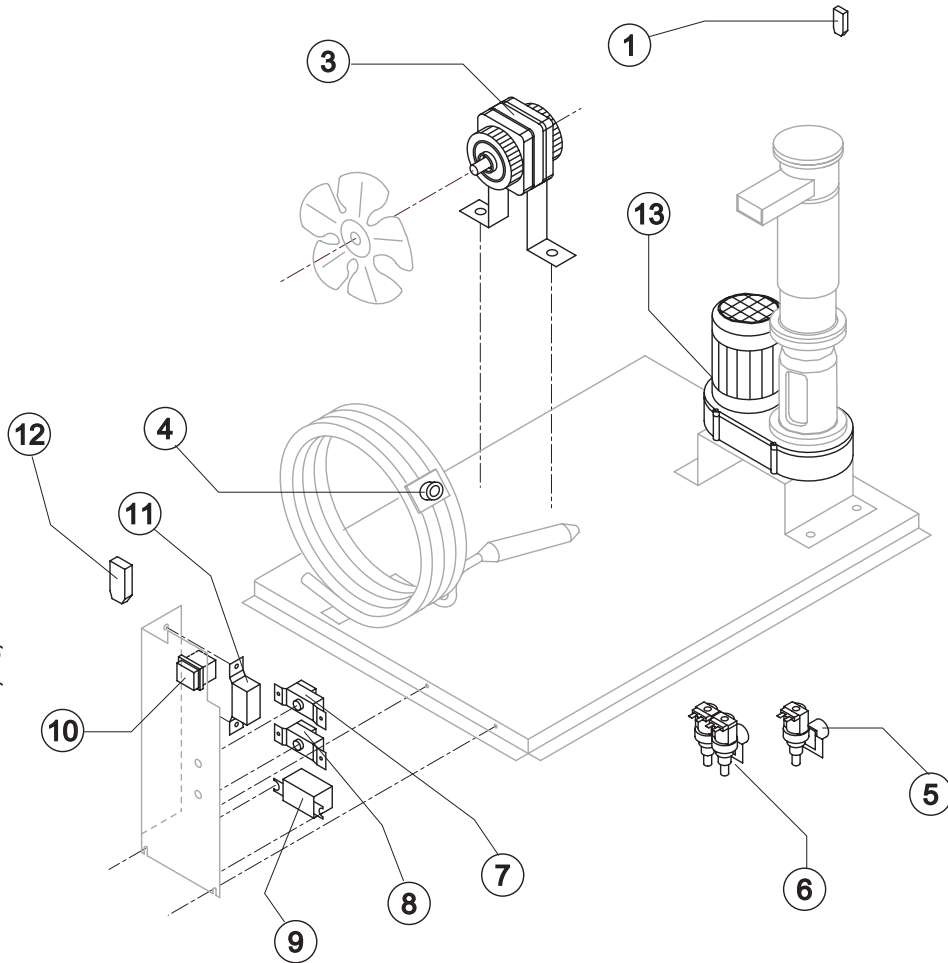
Ref.	Spare Description	Code
1	Water Outlet Nipple	10472
2	Silicone Gasket	13006
3	Double Switch Basin	10145
4	Double Switch Basin Assembly	C10165GB
5	Semirigid Polyethylene Gasket	13007
6	Bin Discharge Nut	10096
8	Microswitch	23055

Parts for Air-Cooled Version Only

Ref.	Spare Description	Code
7	Discharges Manifold	C10235

Parts for Water-Cooled Version Only

Ref.	Spare Description	Code
7	Discharges Manifold	C10240



Common Parts

Ref.	Spare Description	Code
1	Anti Radio Interference Filter	T11 C23457
3	Fan Motor	See Table -
7	Bin Thermostat	R23005
8	Evaporator Thermostat	R23034
9	Relay	See Table -
10	Green Light Switch (On-Off)	23327
11	Condenser Pressure Switch	See Table -
12	Anti Radio Interference Filter	T11 C23459
13	Gearmotor	See Table -

Parts for Air-Cooled Version Only

Ref.	Spare Description	Code
5	1 Way- Water Inlet Valve	See Table -

Parts for Water-Cooled Version Only

Ref.	Spare Description	Code
4	Safety Thermostat	C23114
6	2 Ways- Water Inlet Valve	See Table -

Rev. 10 - 17/06/2009

Ref. 3 - Fan Motor

Tension	Air	Water
T11	23067	23029
T12	23681	23029
T13	23621	23683
T19	23621	23683

Ref.5 - 1 Way-Water Inlet Valve

Tension	Code
T11	23115
T12	23115
T13	23410
T19	23410

Ref.6 - 2 Ways-Water Inlet Valve

Tension	Code
T11	23010
T12	23010
T13	23261
T19	23261

Ref. 9 - Relay

Tension	Code
T11	23190
T12	23190
T13	23557
T19	23557

Ref. 11 - Cond. Pressure Switch

Tension	Code
T11	23175
T12	23175
T13	23175
T19	23680

Ref. 13 - Gearmotor

Tension	Code
T11	23532
T12	23532
T13	23556
T19	23556