

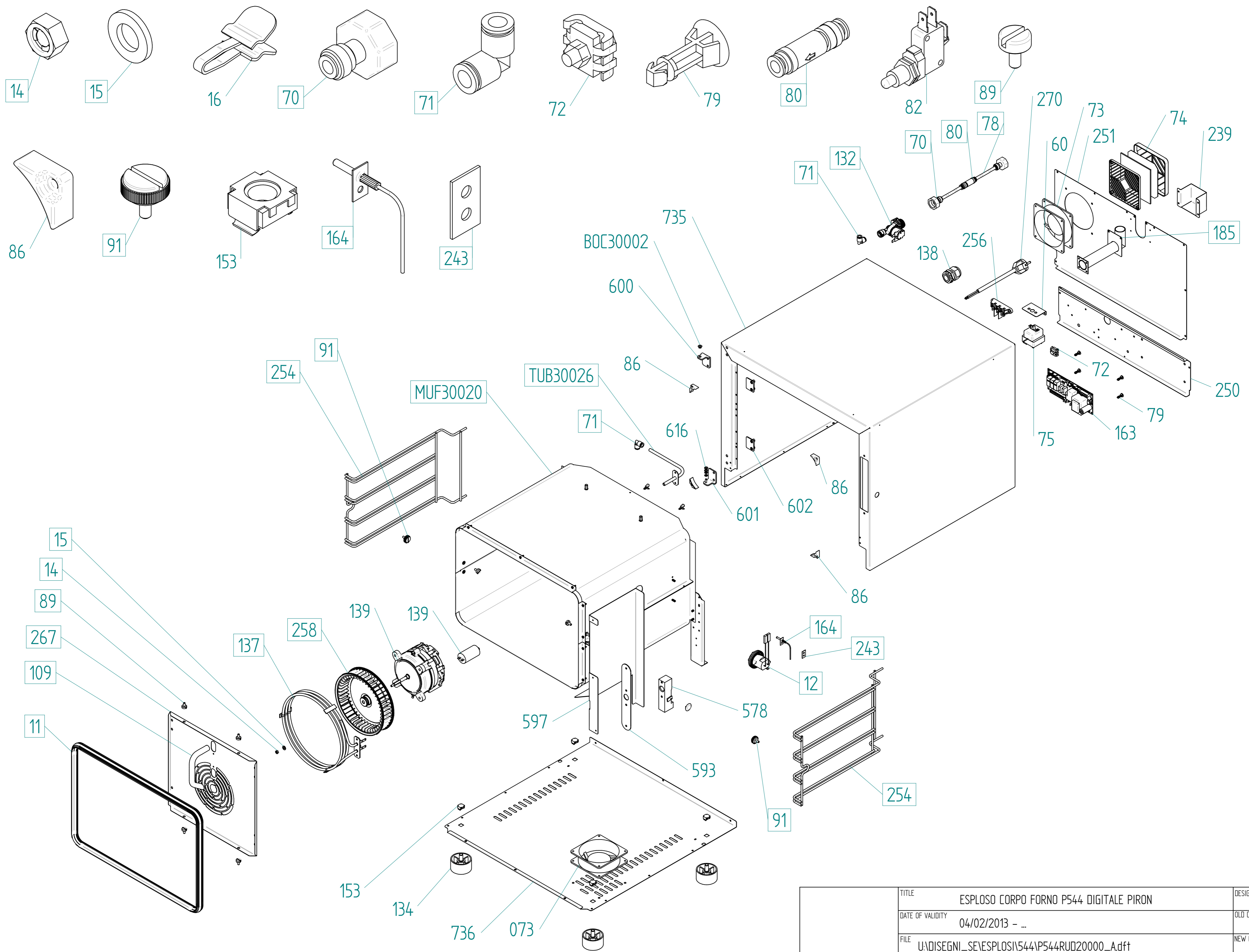


Heißluftöfen & Snackgeräte Heißluftofen

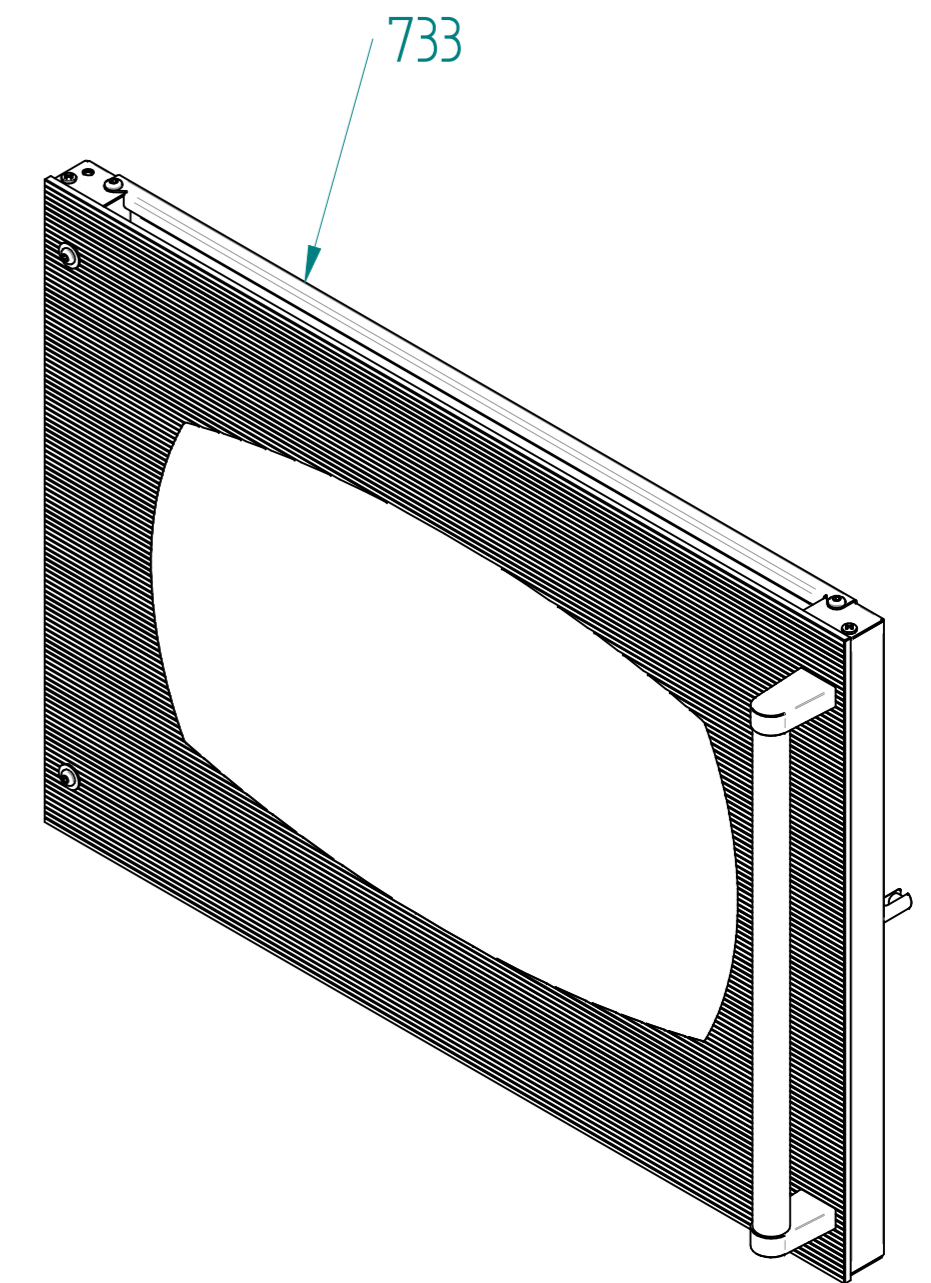
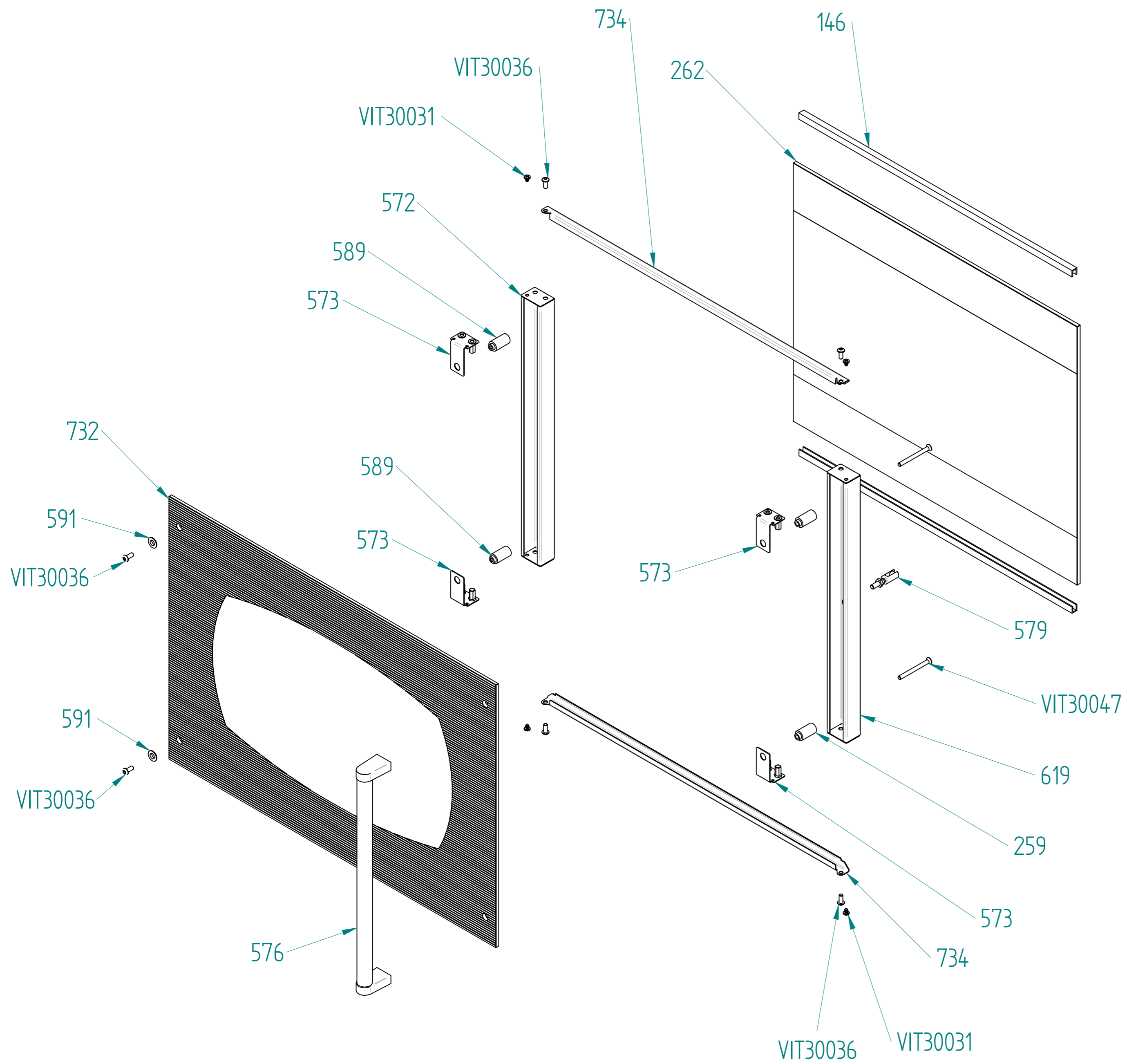
Artikel-Nr. 211029 (G544RUD)

Explosionszeichnung / Ersatzteile

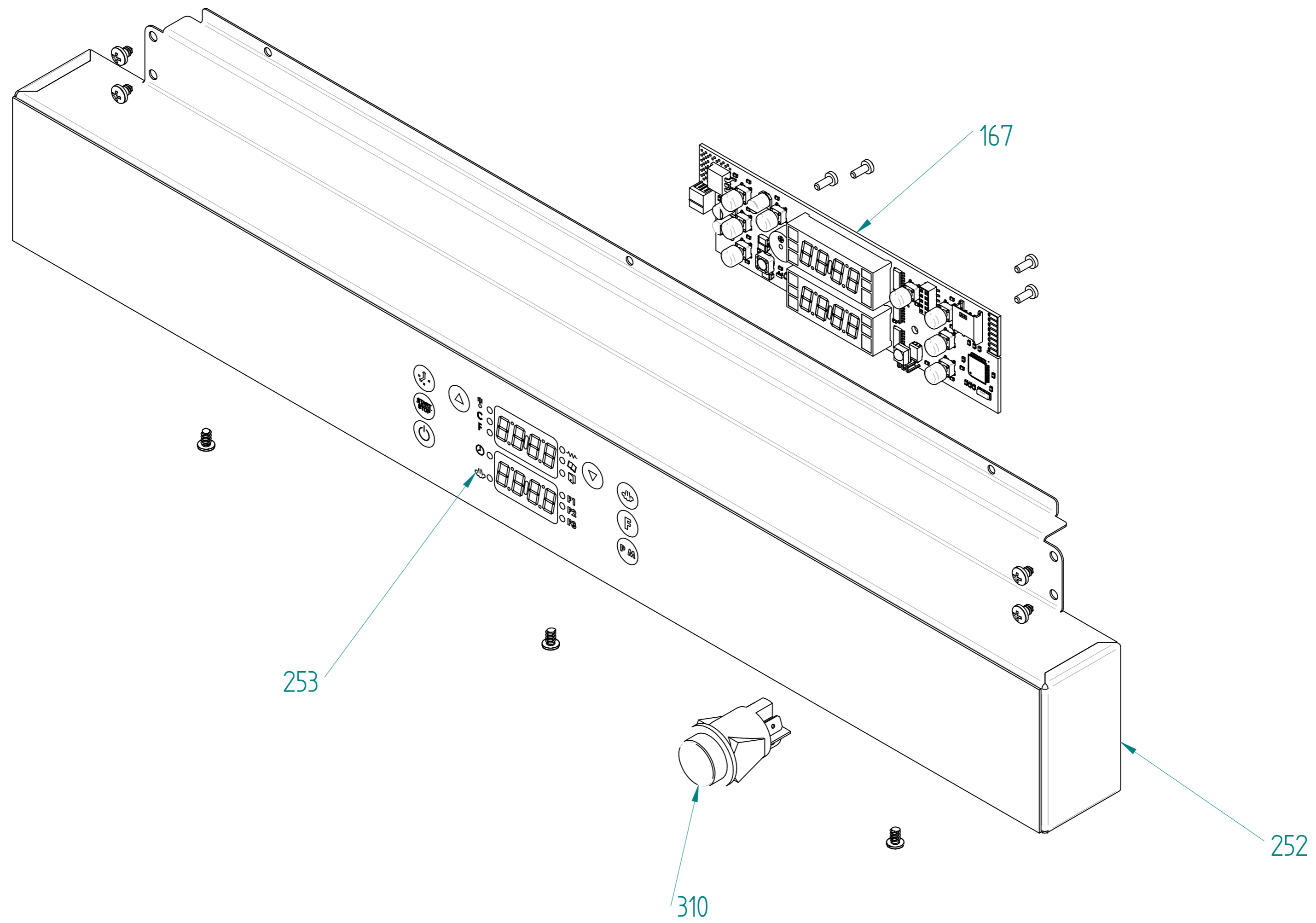
Bitte bei Ersatzteilbestellung immer Artikelnummer und Seriennummer mit angeben!



TITLE	ESPLOSO CORPO FORNO P544 DIGITALE PIRON	DESIGNER	M.BRIGO
DATE OF VALIDITY	04/02/2013 - ...	OLD CODE	...
FILE	U:\DISEGNI_SEVESPLOSI\544\P544RUD20000_A.dft	NEW CODE	P544RUD20000_A



TITLE	ESPLOSO PORTA LATERALE FORNO 844	DESIGNER	m.brigo
DATE OF VALIDITY	04/02/2013-....	OLD CODE
FILE	U:\DISEGNI_SEVE\ESPLOSI\544\P544RUD20000_B.dft	NEW CODE	P544RUD20000_B



TITLE	ESPLOSO CRUSCOTTO FORNO P544 DIGITALE PIRON	DESIGNER	M.BRIGO
DATE OF VALIDITY	04/02/13 - ...	OLD CODE	...
FILE	U:\DISEGNI_SEVESPLOSIV544\P544RUD20000_C.dft	NEW CODE	P544RUD20000_C

LISTA DISTINTA BASE RICAMBI al: 22/03/13

Dall'articolo: P544RUD20000

Ditta: PIRON

All'articolo : P544RUD20000

ARTICOLO	U.M.	DATA EV	DPR	CCA	
P544RUD20000	CONV.HUM. DIG.INV.OVEN 4T. 442*325 PIRON	PZ	04/02/13	100	CPR

DISEGNO	COD RICAMBIO	DESCRIZIONE	QTA
011	GUA30002	GASKET	1,70000
012	LAM30003-A	COMPLETE LAMP	1,00000
014	DAD30005	NUT M5	1,00000
016	PIA30014	SUPPORT FOR SAFETY THERMOSTAT SENSOR	2,00000
060	PIA30062	THERMOSTAT SUPPORT	1,00000
070	RAC30012	CONNECTOR Ø8 - 3/4"	2,00000
071	RAC30003	90° CONNECTOR Ø8	2,00000
072	MOR30001	TERMINAL BLOCK	1,00000
073	MOT30009	AXIAL FAN 22W	2,00000
074	FIL30004	AIR FILTER	1,00000
075	TER30011	THERMOSTAT DPL EGO	1,00000
078	TUB30028	PIPE Ø8	3,75000
079	DIS30003	FITTING SPACER	4,00000
080	RAC30015	UNIDIRECTIONAL CONNECTOR Ø8	1,00000
086	TAP30013	PLASTIC CORNER	4,00000
089	VIT30042	DEFLECTOR SCREW M5	6,00000
091	VIT30001	SCREW FOR LATERAL TRAY SUPPORT	2,00000
109	TUB30006	DEFLECTOR PIPE	1,00000
132	ELE30004	ELECTRIC VALVE - SINGLE	1,00000
134	PIE30004	ADJUSTABLE FOOT	4,00000
137	RES30010	HEATING ELEMENT 3000 WATT	1,00000
138	PPC30001	CABLE GLAND M25x1,5 + NUT	1,00000
139	MOT30006	FAN MOTOR + CONDENSER	1,00000
146	GUA30004	DOOR GLASS GASKET	0,50000
153	DAD30010	NUT FOR FEET	4,00000
163	SCH30010	POWER BOARD EL. 824/524 MICR. M023	1,00000
164	SON30006	CHAMBER TEMP. PROBE	1,00000
167	SCH30011	DISPLAY CONTROL BOARD	1,00000
185	TUB30052	EXHAUST HOT FUMES CHIMNEY	1,00000
239	CPR0000800	PROTECTION FOR CHIMNEY	1,00000
243	GUA30006	PROBE GASKET	1,00000
250	SCN00011	LOWER/REAR OF OVEN	1,00000
251	SCN0001201	HIGHER/REAR OF OVEN	1,00000
252	CRU60101	FRONTAL PANEL	1,00000
253	FR030182	ESTHETIC STICKER FOR COMMAND PANEL	1,00000
254	GRI30033	LATERAL TRAY SUPPORT	2,00000
256	MOR30005	TERMINAL BLOCK 3 PIN	1,00000
258	VEN30004	IMPELLER FAN V200X48	1,00000
259	DIS30009	SPACER GLASS DOOR	2,00000
262	VET30082	CRIST.INT. SP.6MM 524/523 6 TR TE B.E.	1,00000
267	DEF30024	AIR DEFLECTOR	1,00000
270	CAV30014	CABLE	1,00000
572	PR030162	LAT. DOOR VERTICAL PROFILE HINGE	1,00000
573	PR030163	LAT. DOOR VERTICAL PROFILE HINGE	4,00000

ARTICOLO		U.M.	DATA EV	DPR	CCA
576	MAG30024				1,00000
578	SER00001				1,00000
579	PER30017				1,00000
580	CAV30019				1,00000
589	DIS30010				2,00000
591	BOC30004				2,00000
593	PIA30080				1,00000
597	SUP30161				1,00000
602	PIA30081				2,00000
619	PR030164				1,00000
732	VET34049				1,00000
733	POR04049				1,00000
734	PR030182				2,00000
735	CPR00036				1,00000
736	FON30124				1,00000
751	SCH30028				1,00000
752	CAV30021				1,00000

Gestiware