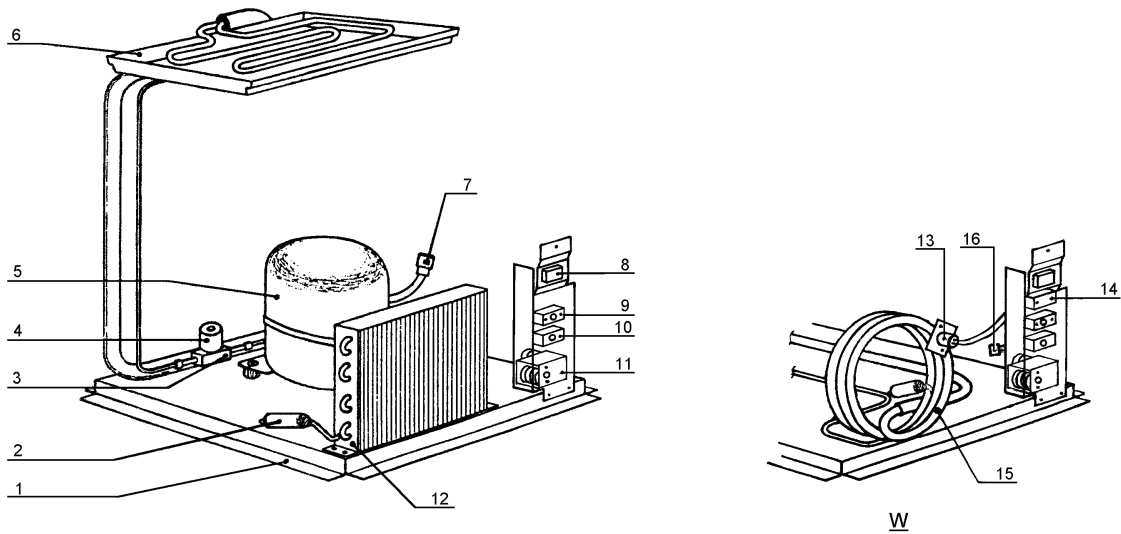


Ref.	Description	Refrigerant	A/W	Tension	Code
1	Foamed cabinet assy				C11002
2	Sprayers feeding pipe				13005
3	Pump suction filter				20005
4	Sprayers bar assembly				C20028
5	Sprayers bar plug				10012
6	Sprayer				D20002
7	Evaporator basin assembly				C10264
8	Overflow tube assembly				C10133
9	Plastic nipple water outlet				10007
10	Rear grid				D12002
11	Discharges manifold		A		C10006
11	Discharges manifold		W		C26452
12	Inlet water valve 1 way		A	1-2	23497
12	Inlet water valve 1 way		A	3	23499
12	Inlet watervalve 2 ways		W	1-2	23542
12	Inlet water valve 2 ways		W	3	23592
13	Ice cubes slide				D12001
14	Back panel assembly				C22146
15	Evaporator cover				10008
16	Top assembly				C22693
17	Flags support assy				C22034
18	Door assembly				C10303
19	Bulbe thermostat tube				20520
20	Front grid panel				22502
21	Grid+frame				C10205
22	Filtering panel				18106
23	Foot				10017
24	Suction impeller				10213
25	Hub+washer+screw				10014
26	Pump			1-2	23002
26	Pump			3	23264
27	Pump delivery pipe				13002
28	Pump suction pipe				13003
30	Overflow pipe				13105

**Note:** Code 22502 for model with switch on -off (green). For model without switch on - off (green) Code 22004.  
 Code C10133 from serial no. 65043. Previous serial no. code 13001.  
 Code 13105 from serial no.65043. Previous serial no. code 13001.  
 Code 20520 from serial no. 94518. Previous serial no. code 20008.

**COOLING SYSTEM ASSEMBLY Mod. CB246 A/W - Cube. A (Cod.24351)**



Ref.	Description	Refrigerant	A/W	Tension	Code
1	Base plate				21001
2	Molecular drier				14009
3	Hot gas valve body				20410
4	Hot gas coil			1-2	23091
4	Hot gas coil			3	23256
5	Compressor	R404A		1	23436
5	Compressor	R404A		2	23494
5	Compressor	R404A		3	23446
5	Compressor	R22		1	23197
5	Compressor	R22		2	23346
5	Compressor	R22		3	23368
6	Evaporator				D10045
7	Vacuum-charge valve device				14005
7	Vacuum-charge valve plug				14006
7	Vacuum- charge valve body				14007
8	Green light switch				23327
9	Bin thermostat				23005
10	Evaporator thermostat				23591
11	Timer			1	23222
11	Timer			2	23248
11	Timer			3	23259
12	Air condenser		A		20534
13	Safety thermostat		W		C23114
14	Condenser pressure switch		W		23175
15	Water condenser		W		14057
16	Anti radio interference filter		W	1	23457

**Note:** Code 23222 from September 1992. Before Code 23003.  
 Code 14057 from construction no. 28526. Previous construction no. Code 14002.  
 Code 20534 from construction no. 104677. Previous construction no. Code 20069.

### **Erklärung zu Ersatzteillisten in den Spalten Tension-Spannung**

<b>1</b>	Spannung	220-240V	50Hz
<b>2</b>	Spannung	220-230V	60Hz
<b>3</b>	Spannung	110 115V	60Hz
<b>4</b>	Spannung	230V3P	50Hz
<b>5</b>	Spannung	400V	50Hz
<b>6</b>	Spannung	220-230V3P	60Hz
<b>7</b>	Spannung	440-460V3P	60Hz