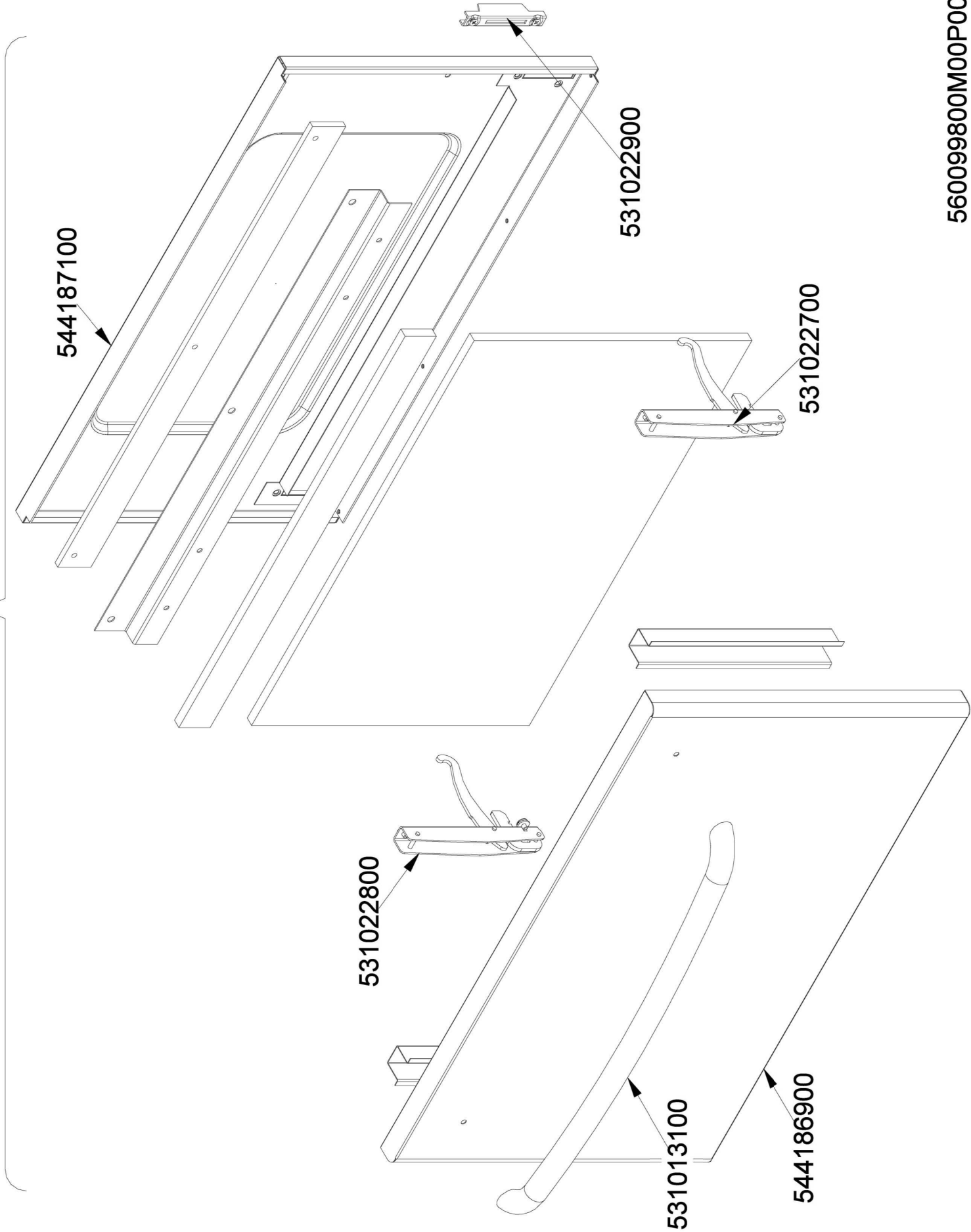


GN2/1



560099800M00P00

533037600

544020601

536010801

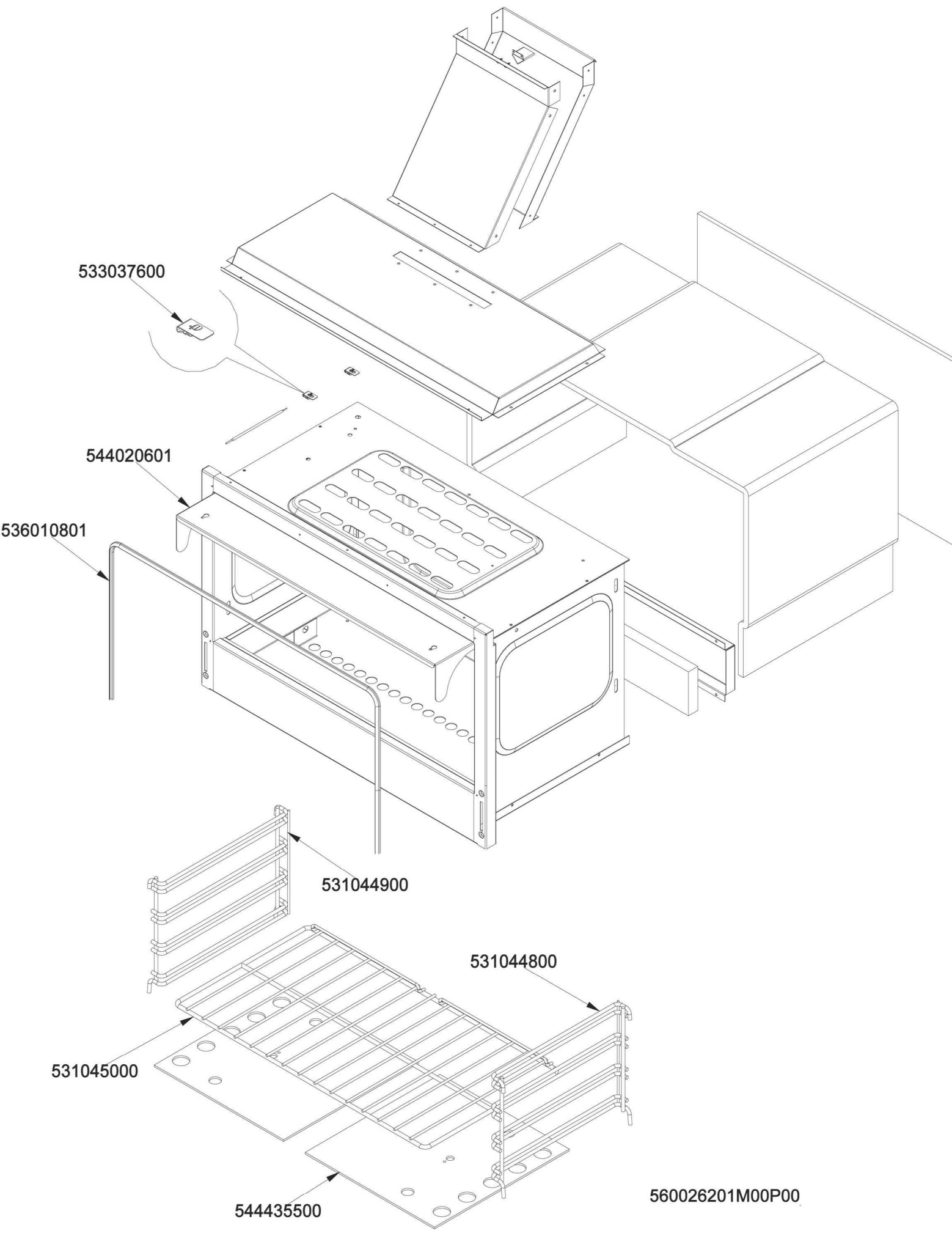
531044900

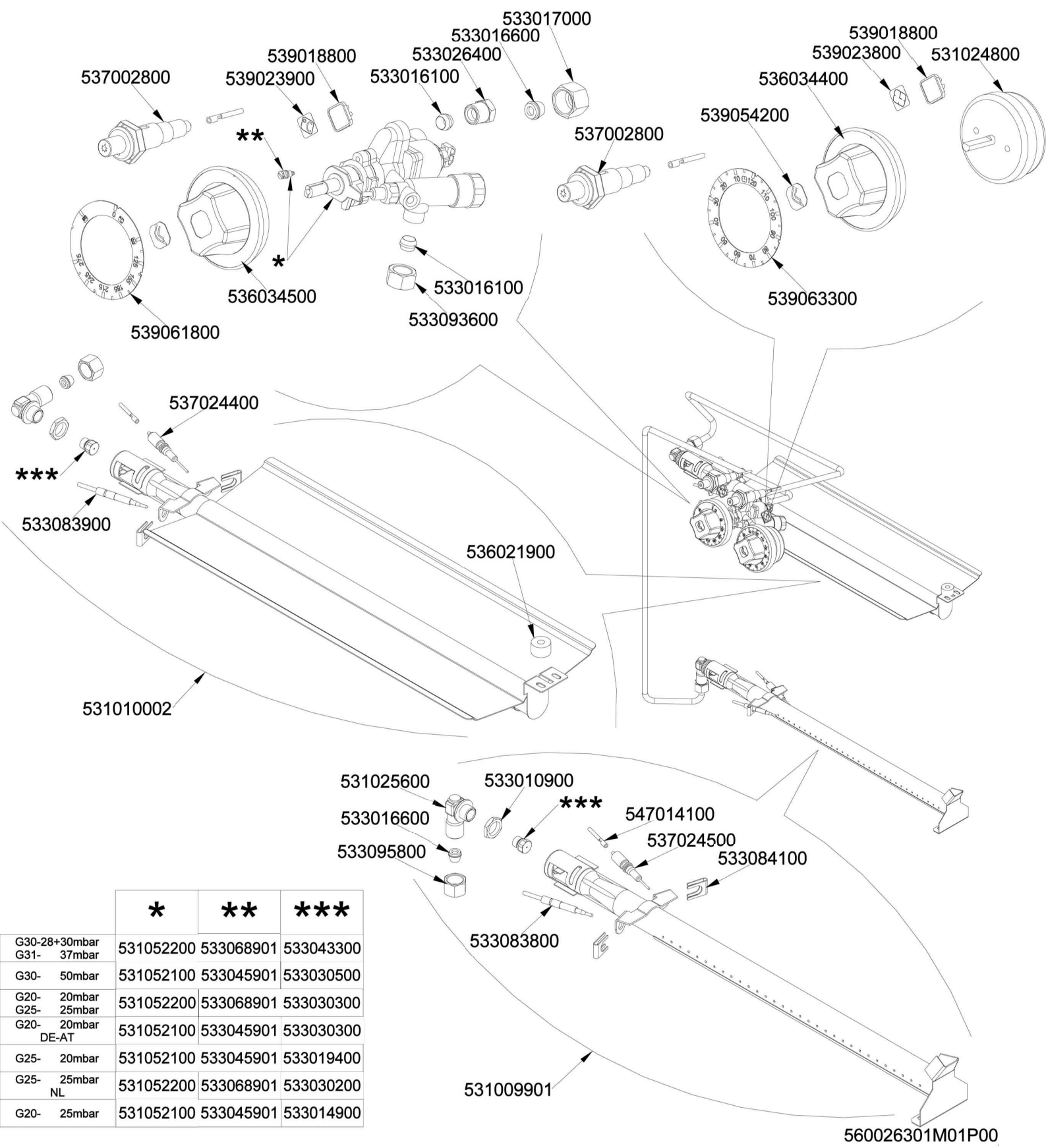
531044800

531045000

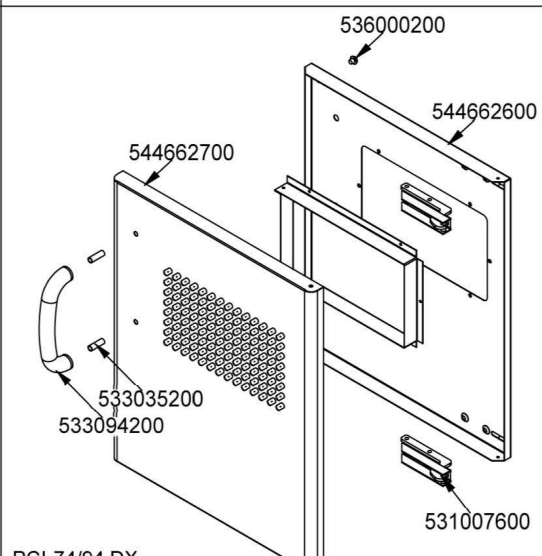
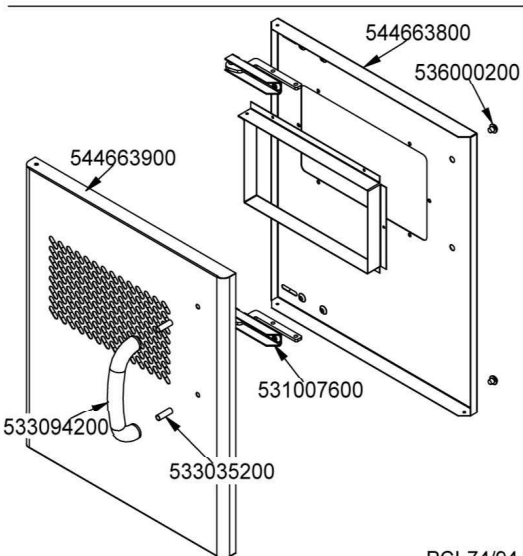
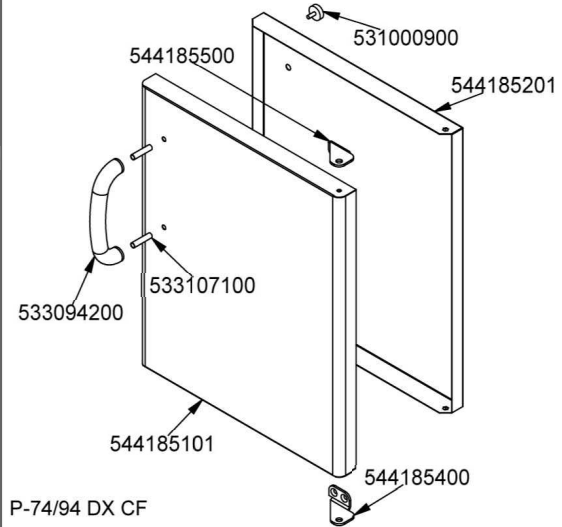
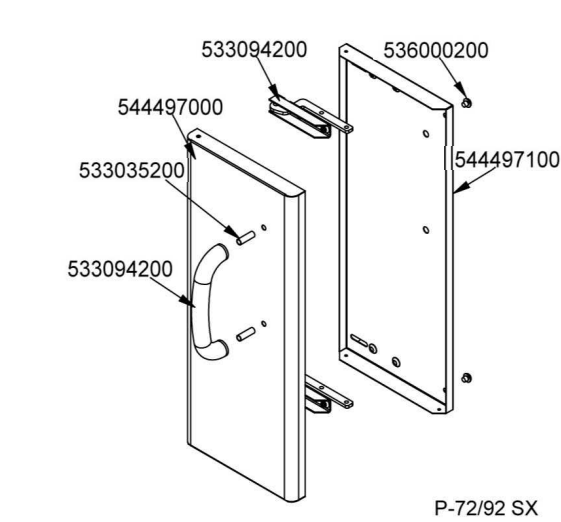
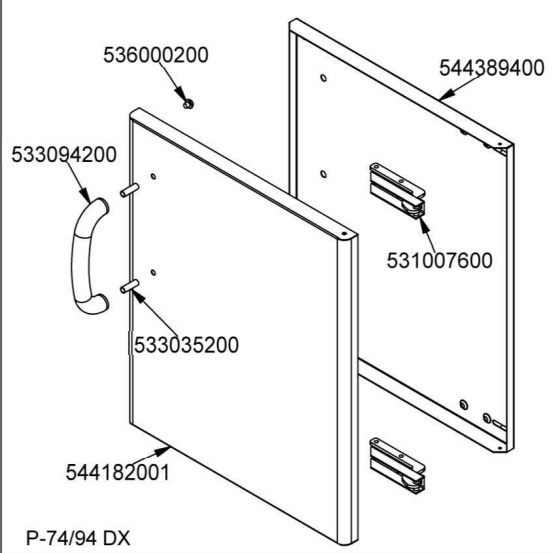
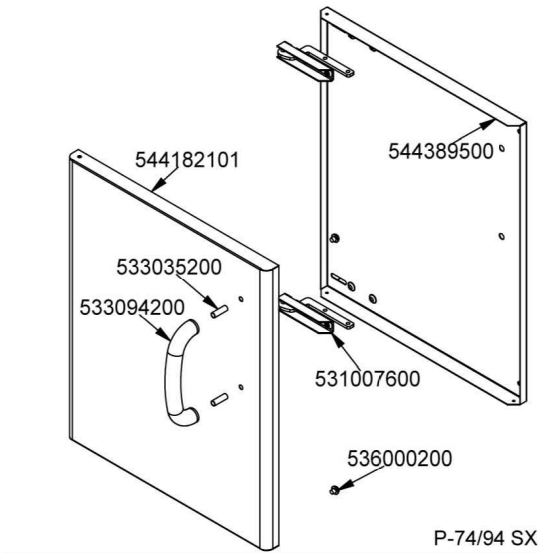
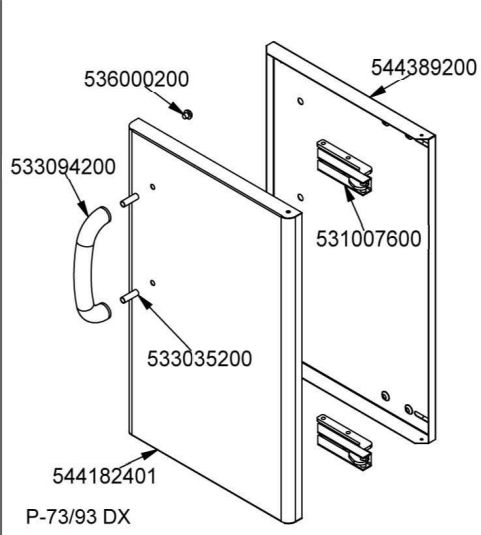
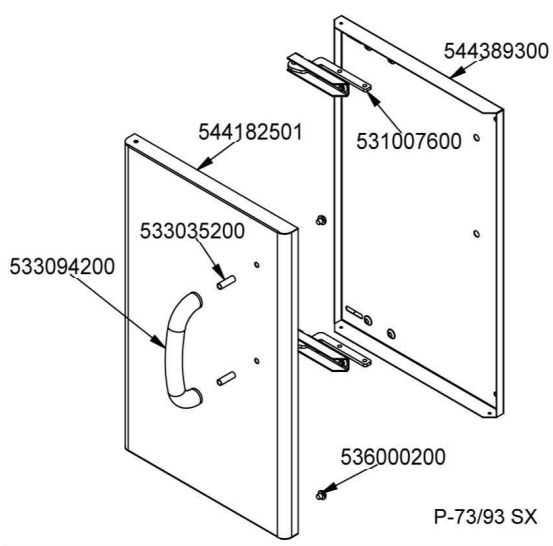
544435500

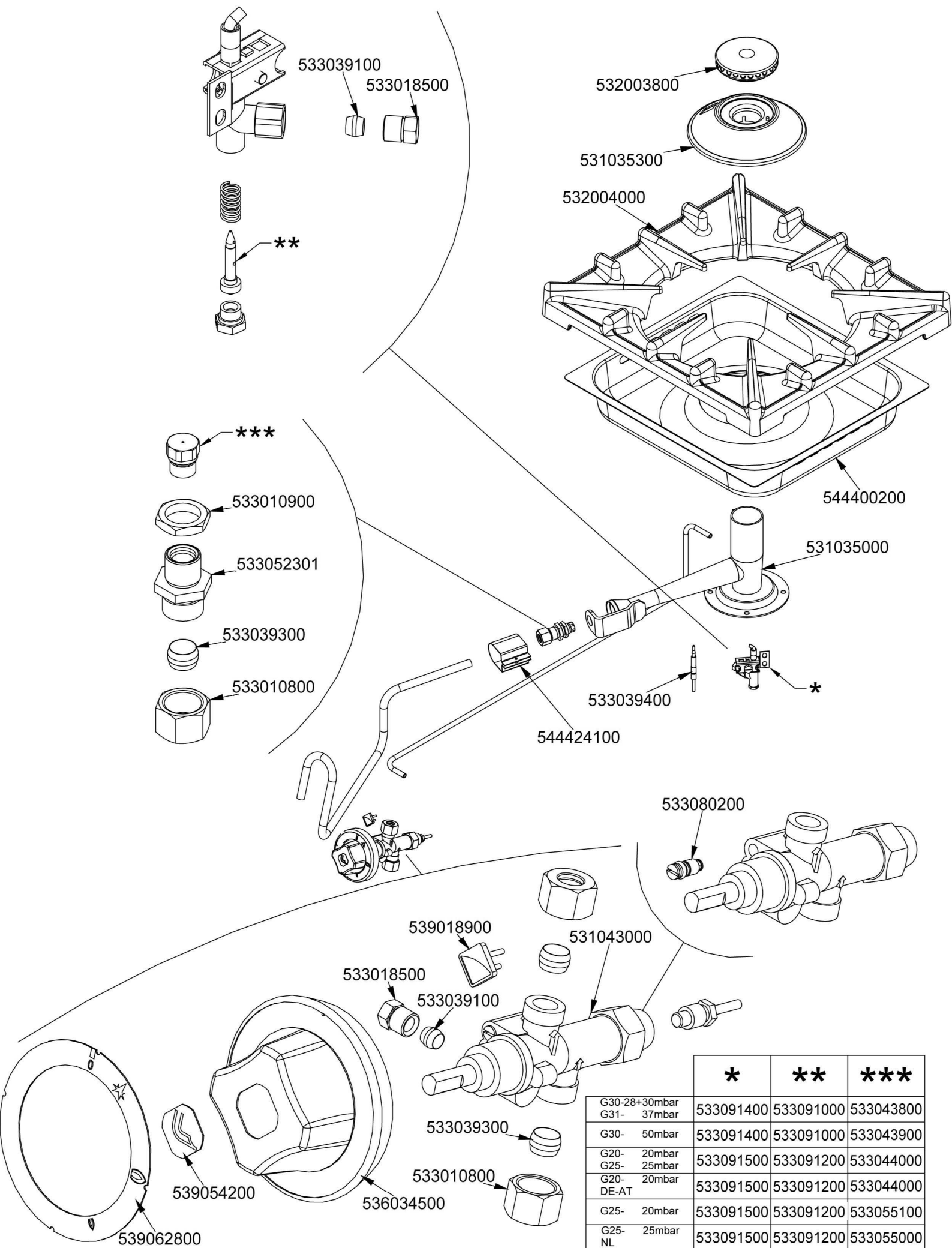
560026201M00P00



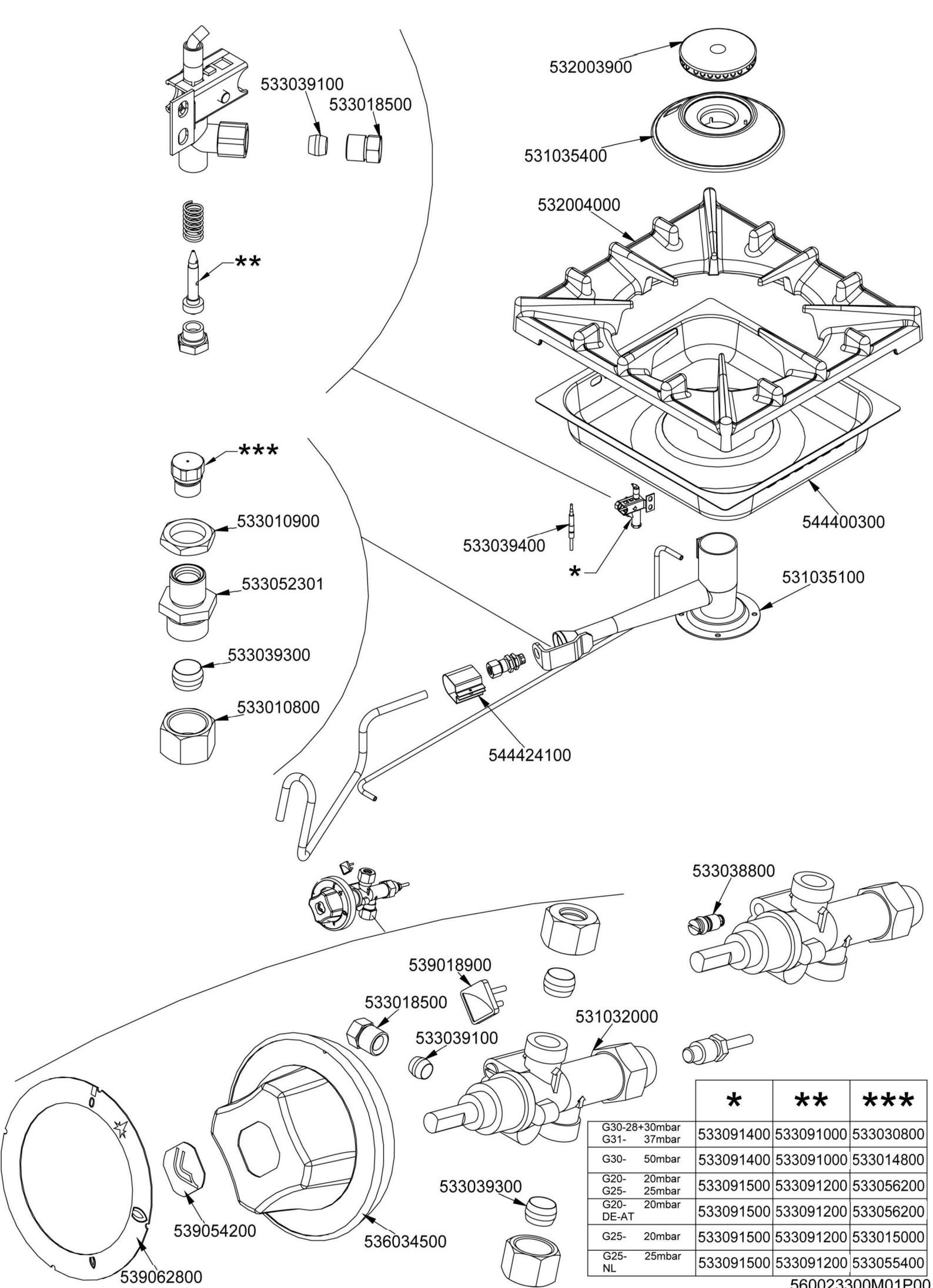


	*	**	***
G30-28+30mbar G31- 37mbar	531052200	533068901	533043300
G30- 50mbar	531052100	533045901	533030500
G20- 20mbar G25- 25mbar	531052200	533068901	533030300
G20- 20mbar DE-AT	531052100	533045901	533030300
G25- 20mbar	531052100	533045901	533019400
G25- 25mbar NL	531052200	533068901	533030200
G20- 25mbar	531052100	533045901	533014900





	*	**	***
G30-28+30mbar G31- 37mbar	533091400	533091000	533043800
G30- 50mbar	533091400	533091000	533043900
G20- 20mbar G25- 25mbar	533091500	533091200	533044000
G20- DE-AT 20mbar	533091500	533091200	533044000
G25- 20mbar	533091500	533091200	533055100
G25- NL 25mbar	533091500	533091200	533055000



	*	**	***
G30-28+30mbar G31- 37mbar	533091400	533091000	533030800
G30- 50mbar	533091400	533091000	533014800
G20- 20mbar G25- 25mbar	533091500	533091200	533056200
G20- DE-AT	533091500	533091200	533056200
G25- 20mbar	533091500	533091200	533015000
G25- 25mbar NL	533091500	533091200	533055400

Page	Pos	Code	Description
001		541199300	UPPER PLATE FOR 60T CF 3-612GV
001		533009200	REDUCTION GRATE FOR 65-70LINES+FO
001		544540300	
001		541133601	CONTROL PANEL CF3-512G
001		531048400	INOX LEG Ø1"3/4 100-165 M10
001		544540200	
002		544187100	OVEN INNER DOOR GN 2/1 70/90LINE
002		531022800	LEFT OVEN DOOR HINGE S.70
002		531013100	OVEN DOOR HANDLE OF 70/90-LINE
002		544186900	OVEN DOOR GN 2/1 70/90LINES
002		531022700	RIGHT OVEN DOOR HINGE 70LINE
002		531022900	HINGE DOOR WHEEL HOLDER S.70
003		533037600	LOCK SPRING FOR BULB
003		544020601	HANDLEPROTECTION FOR CF-55
003		536010801	OVEN GASKET GN 2/1 (1308
003		531044900	LHD SUPPORT GRID OVEN S55
003		531045000	GRID OVEN GN 1/1 S55
003		531044800	RHD SUPPORT GRID OVEN S55
003		544435500	55 GAS OVEN BOTTOM GN1/1
004		537002800	PIEZOELECTRIC IGNITION M18 WITH NUT
004		539023900	SIGN PLATE FOR OVEN TEMPERATURE
004		539018800	BLANK INDEX FOR KNOB
004		533016100	BICONE D.8
004		533026400	ELBOW FOR BICONE D.8 M13X1
004		533016600	BICONE §8 H.6 SABAF DIS.688
004		533017000	THREADED FITTING FOR BICONE 8S
004		539054200	STAMP Ø20,5 CR."L" LOTUS R.
004		536034400	KNOB §77 4P. §06*4,6 C/M
004		539023800	LABEL FOR OVEN TIMER
004		531024800	TIMER 120' - 360°
004		539061800	ADESIVE DISK FOR GAS OVEN S60
004		536034500	KNOB §77 4P. §08*6,5
004		533093600	BICONE FITTING §8 M13 FEM.SABAF
004		539063300	ADESIVE DISK FOR TYMER GREY
004		537024400	IGNITION PLUG FOR OVEN-BURNER
004		533083900	THERMOCOUPLE 1000 M8*1 OVEN BURNER
004		536021900	MAN.EXTENSION MICRO DRIVING TAP 60
004		531010002	GRILL BURNER FOR CF-55/60
004		531025600	ELBOW 90° NOZZLE-HOLDER §10 PIPE
004		533095800	TUBE NUT D.08 M16*1,5
004		531009901	OVEN BURNER CF-8/10G
004		533083800	THERMOCOUPLE 1200 M8*1 OVEN BURNER
004		533010900	NUT M14*1 H.4
004		547014100	HIGH-VOLTAGE CABLE §2 L=100
004		537024500	IGNITION PLUG FOR GRILL-BURNER
004		533084100	LOCK SPRING FOR PLUG-THERMOCOUPLE
004		531052200	§50 BY-PASS SAFETY COCK S55
004		531052100	§45 BY-PASS SAFETY COCK S55
004		533068901	§50 BY-PASS COCK F.OVEN CF60/65/55
004		533045901	§45 BY-PASS THERMOSTATIC TAP
004		533043300	NOZZLE §103 CH12*14 F-PC4 UR



Page	Pos	Code	Description
004		533030500	NOZZLE §90 CH12X14 G30/CE
004		533030300	NOZZLE §160 CH12*14 M-FPG
004		533019400	NOZZLE §180 CH12*14 L-FQ5
004		533030200	NOZZLE §170 CH12*14 MH-FG L-FP/CW
004		533014900	NOZZLE §150 CH12*14 F-FQ5 L-FQ6
005		544389300	CONTROP.73 SX APP. LT
005		531007600	DOOR HINGE
005		544182501	LEFT DOOR 73
005		533094200	S/S HANDLE FOR 70/90 SERIES
005		533035200	HANDLE SPACER
005		536000200	D.12 H.4 BUMPER
005		544389200	CONTROP.73 DX APP. LT
005		544182401	RIGHT DOOR 73
005		544182101	LEFT DOOR 74
005		544389500	INNER-DOOR OF LHD 74
005		544389400	CONTROP.74 DX APP. LT
005		544182001	RIGHT DOOR 74
005		544497000	PORTA 72 SX
005		544497100	CONTROP.72 SX APP. LT
005		533107100	HANDLE SPACER OF CF-70
005		544185500	UPPER DOOR HINGE FOR COMPARTME CF70 12.8
005		531000900	MAGNET §22 KG.3 WITH DISK
005		544185201	INNER DOOR * 74DX
005		544185400	LOWER DOOR HINGE FOR COMPARTME CF70 12.8
005		544663900	LHD 74 DOOR FOR PCI
005		544663800	74 LHD OVEN INNER DOOR FOUR PCI
005		544662700	DOOR 74 DX PCI
005		544662600	CONTROP.74 DX APP. LT PCI
005		544185101	RIGHT DOOR 74 CF
006		533039100	BICONE §6
006		533018500	FITTING FOR BICONE D.6 M10*1
006		532003800	BURNER COVER RING §082
006		531035300	MEDIUM BURNER BODY 90 LINE
006		532004000	1 FLAME GRILL 396X366 (90
006		544400200	BURNER DRIP PAN 2/3
006		533010900	NUT M14*1 H.4
006		531035000	MEDIUM BURNER VENTURI 90 LINE
006		533052301	JOINT FOR NOZZLE HOLDER
006		533039300	BICONE §10
006		533010800	TUBE NUT D.10 M16*1,5
006		533039400	THERMOCOUPLE M9*1*850
006		544424100	AIR ADJUSTMENT BUSHING*BURNER PC90
006		533080200	BY PASS COCK §65 20S-21S
006		539018900	INDEX FOR KNOB W/RED SIGN
006		531043000	GAS COCK 21S P.V. BY-PASS §065
006		539054200	STAMP Ø20,5 CR."L" LOTUS R.
006		536034500	KNOB §77 4P. §08*6,5
006		539062800	RED STICKING DISK 72
006		533091400	P.NOZZLE S100 UG.§20 PC90 LPG-FLUS
006		533091500	PILOT NOZZLE S.100 §30 PC90 NAT.GAS
006		533091000	NOZZLE 0.100 §20

Page	Pos	Code	Description
006		533091200	PILOT NOZZLE 0100 Ø35 PIL.PC
006		533043800	NOZZLE §130 CH12*14 G-CW4
006		533043900	NOZZLE §115 CH12*14 F-CW4
006		533044000	NOZZLE §195 CH12*14 M-CW4
006		533055100	NOZZLE §215 CH12*14 L-CW4
006		533055000	NOZZLE §205 CH12*14 G25 CW4
007		533039100	BICONE §6
007		533018500	FITTING FOR BICONE D.6 M10*1
007		532003900	BURNER COVER RING §100
007		531035400	BIG BURNER BODY 90 LINE
007		532004000	1 FLAME GRILL 396X366 (90
007		533010900	NUT M14*1 H.4
007		533039400	THERMOCOUPLE M9*1*850
007		544400300	BURNER DRIP PAN 2/3
007		533052301	JOINT FOR NOZZLE HOLDER
007		531035100	BIG BURNER VENTURI 90 LINE
007		533039300	BICONE §10
007		533010800	TUBE NUT D.10 M16*1,5
007		544424100	AIR ADJUSTMENT BUSHING*BURNER PC90
007		533038800	75 BY-PASS FOR 21S TAP
007		531032000	GAS COCK P.V.BY-PASS Ø075
007		539018900	INDEX FOR KNOB W/RED SIGN
007		536034500	KNOB §77 4P. §08*6,5
007		539054200	STAMP Ø20,5 CR."L" LOTUS R.
007		539062800	RED STICKING DISK 72
007		533091400	P.NOZZLE S100 UG.§20 PC90 LPG-FLUS
007		533091500	PILOT NOZZLE S.100 §30 PC90 NAT.GAS
007		533091000	NOZZLE 0.100 §20
007		533091200	PILOT NOZZLE 0100 Ø35 PIL.PC
007		533030800	NOZZLE §155 CH12X14 M-CW
007		533014800	NOZZLE §135 CH12*14,0
007		533056200	NOZZLE §230 CH12*14
007		533015000	NOZZLE D.I 260 G110 (TOWN GAS
007		533055400	NOZZLE §245 CH12*14