



**Kochgeräte
Elektro-Herde-Kochflächen Serie 700**

Artikelnr. 131007, 131008, 131009, 132003, 132004
(418031-115250, -115450, -315450, -515250, -515450)

- Auf Plattenform achten! -

Explosionszeichnung

SPARE PARTS CATALOGUE

Introduction:

This catalog enables to recognize our appliances' main spare parts reading the single exploded views.

How to look up in our catalogue :

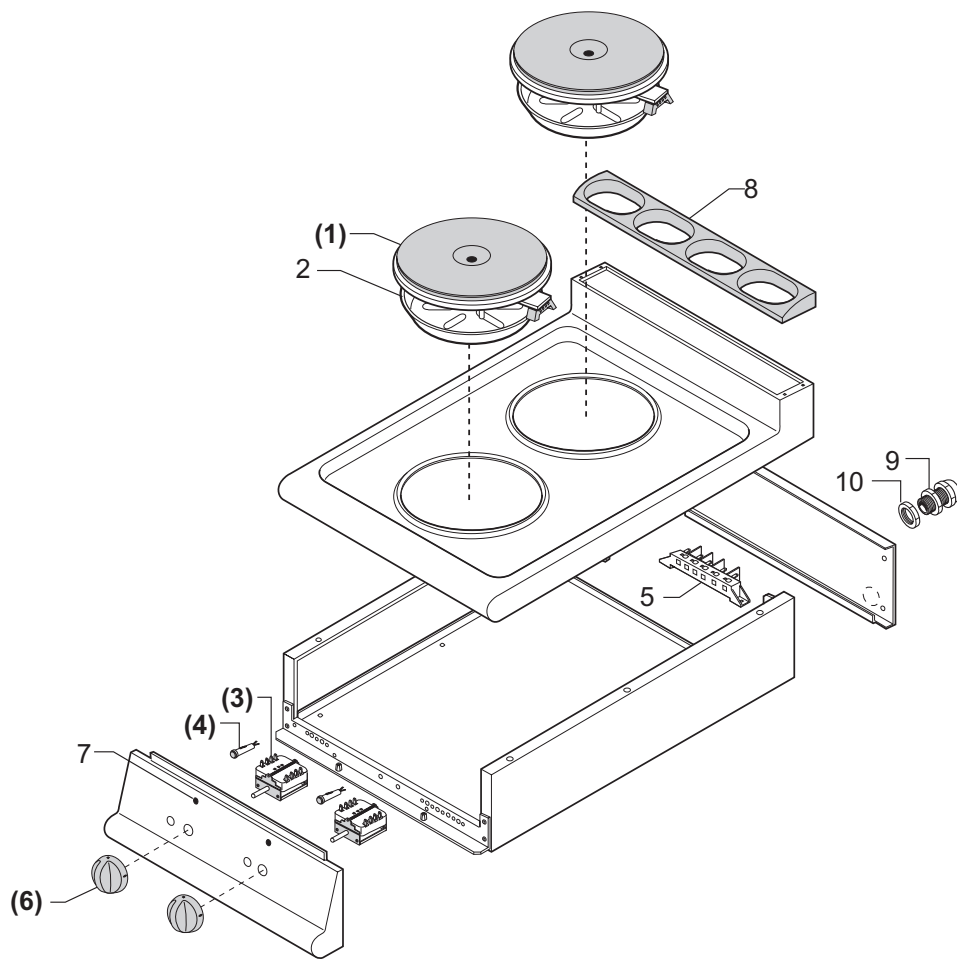
Hereunder we describe the correct method to look up in our catalogue, in order to locate the desired spare part in a quicker and more precise way.

For Example: You need the component's code-number of a gasrange with burners 1/1M.

- 1) Find the appliance's model and serial number on the rating plate.
(The rating plates are positioned in the internal side of the control panel).
- 2) Search for the belonging family in the index (BCPxxx-(0B)) . (f.ex. Gasrange with burners - top 1/1M).
- 3) After you have found the corresponding table you verify if the appliance's serial number is subsequent to that one indicated in the table.
- 4) You locate the desired spare part in the drawing on the left, and find the corresponding position in the table on the right.
- 5) Hence you obtain the codenumber and the description of the spare part you need.

LEGEND:

| Position on the EXPLODED VIEW | | | X => Recommended spare part | | | |
|-------------------------------|-----------|------------------------------|-----------------------------|------|---------------------|--|
| Article's codenr. | | Technical description | Quantity x each model | | Series | |
| | | | | | 1/2M => L=40 cm. | |
| | | | | | 1/1M => L=80 cm. | |
| | | | | | 1+1/2M => L=120 cm. | |
| Pos | Codice | Descrizione | 700 | 1/1M | | |
| 1 | 822410081 | Medium burner head (Dm.102) | | 1 | | |
| 2 | 822410051 | Medium venturi duct (Dm.102) | | 1 | | |
| 14 | 826920140 | Pilot burner | x | 2 | | |



(.....) RICAMBIO CONSIGLIATO
 (.....) SUGGESTED SPARE-PARTS

PIASTRE ELETTRICHE TOP (Serie 700 - 1/2M)
ELECTRIC PLATES TOP (Serie 700 - 1/2M)

Tav. Rif. BCP0070-(50)

RIF. Da matricola n°
 REF. From serial n°

Rev.00 del 16/06/1997

ELECTRIC PLATES TOP (1/2M)

cine p

| Pos | Code | Denomination | | 700 1/2M | | | | | |
|-----|-----------|-------------------------------------|---|-------------|--|--|--|--|--|
| 1 | 826620010 | Electric plate Ø=220mm - 2600W 400V | x | 2 | | | | | |
| 2 | 821550020 | Protection for plate D.220 | | 2 | | | | | |
| 3 | 826630070 | Six-way switch 16A | x | 2 | | | | | |
| 4 | 826650020 | Signal lamp 230V (green) | x | 2 | | | | | |
| 5 | 826630100 | Terminal board FV 122/B | | 1 | | | | | |
| 6 | 824710320 | Switch knob 6 pos. | x | 2 | | | | | |
| 7 | 824710080 | Red index | | 2 | | | | | |
| 8 | 822410120 | Exhaust grid | | 1 | | | | | |
| 9 | 824710200 | Cable retainer PG21 | | 1 | | | | | |
| 10 | 824710210 | Lock nut PG21 | | 1 | | | | | |
| | | | | | | | | | |
| | | | | | | | | | |
| | | | | | | | | | |
| | | | | | | | | | |
| | | | | | | | | | |
| | | | | | | | | | |
| | | | | | | | | | |
| | | | | | | | | | |
| | | | | | | | | | |
| | | | | | | | | | |
| | | | | | | | | | |
| | | | | | | | | | |
| | | | | | | | | | |
| | | | | | | | | | |
| | | | | | | | | | |
| | | | | | | | | | |
| | | | | | | | | | |
| | | | | | | | | | |
| | | | | | | | | | |
| | | | | | | | | | |
| | | | | | | | | | |
| | | | | | | | | | |
| | | | | | | | | | |
| | | | | | | | | | |
| | | | | | | | | | |
| | | | | | | | | | |
| | | | | | | | | | |

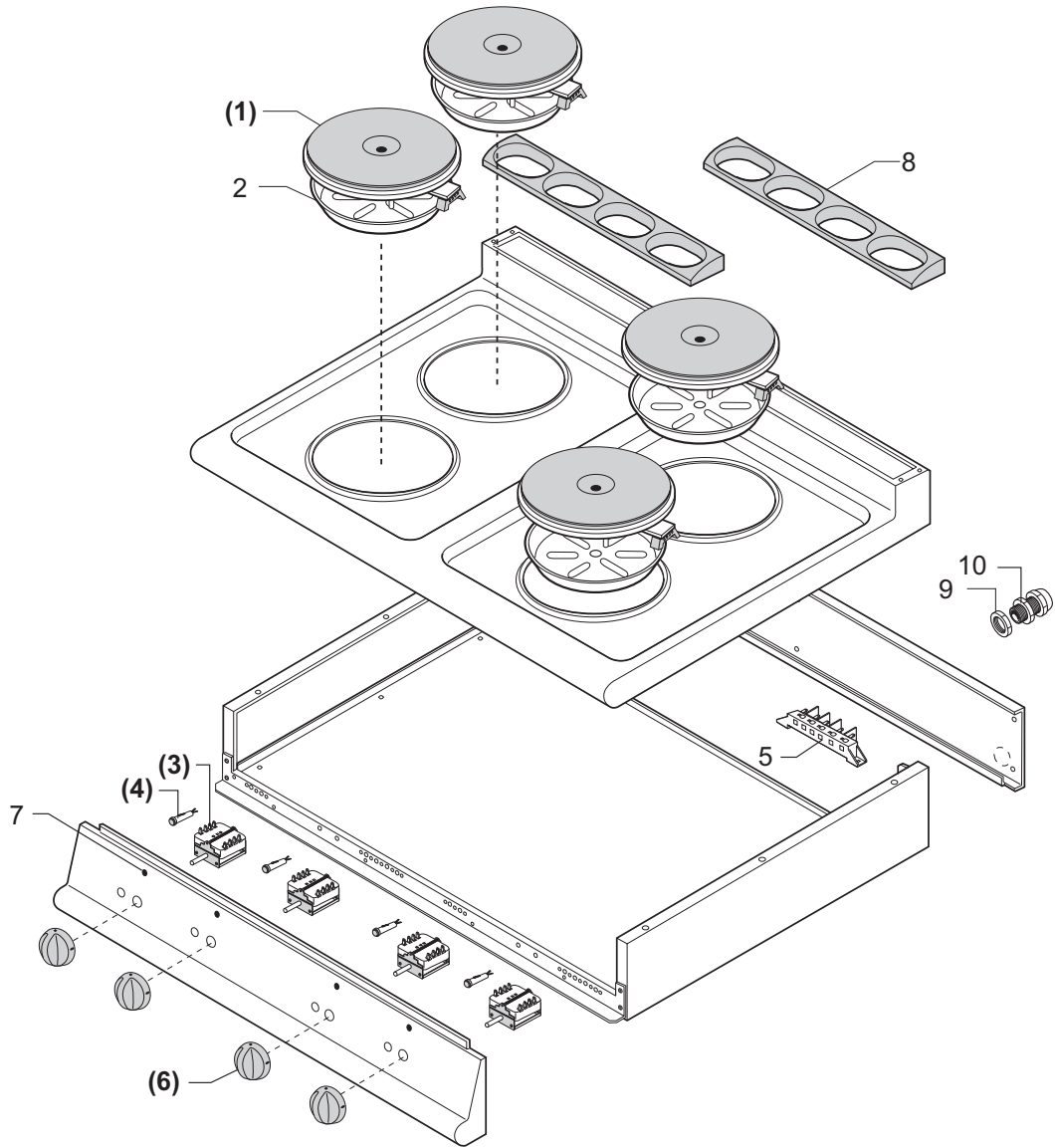
X : Suggested PARTS

| | | |
|---|------|-----------------|
| PIASTRE ELETTRICHE TOP (Serie 700 - 1/2M) ELECTRIC PLATES TOP | RIF. | Da matricola n° |
| | REF. | From serial n° |
| | | |

Baron Cucine Professionali S.r.l.

BCP0070-(50)

cine p



(.....) RICAMBIO CONSIGLIATO
(.....) SUGGESTED SPARE-PARTS

PIASTRE ELETTRICHE TOP (Serie 700 - 1/1M)
ELECTRIC PLATES TOP (Serie 700 - 1/1M)

Tav. Rif. BCP0070-(52)

RIF. REF. Da matricola n°
From serial n°

Rev.00 del 16/06/1997

Baron Cucine Professionali S.r.l.

RIPRODUZIONE, ANCHE PARZIALE, VIETATA

BCP0070-(51)

ELECTRIC PLATES TOP (1/1M)

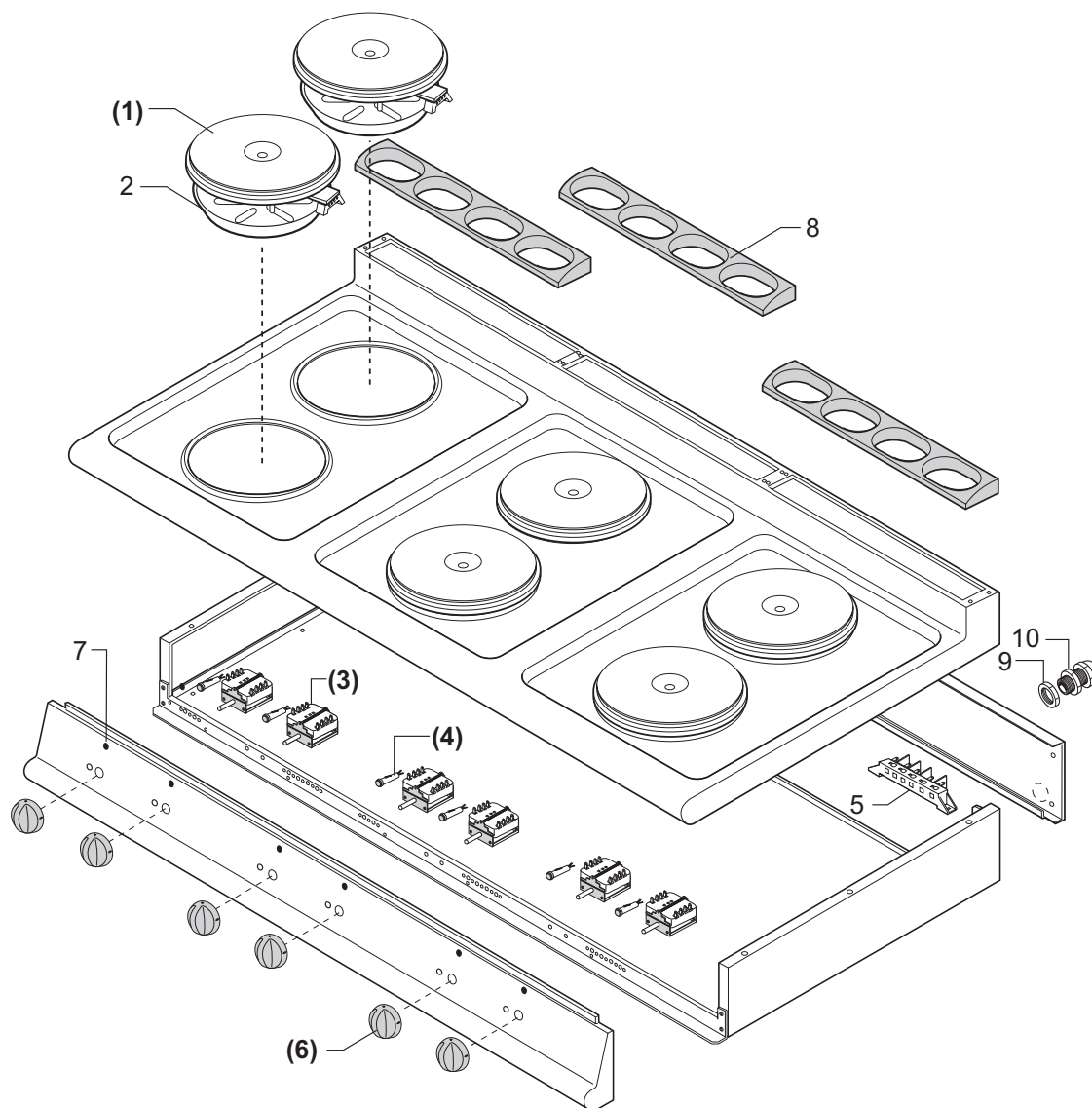
| Pos | Code | Denomination | 700 1/1M | | | | | | |
|-----|-----------|-------------------------------------|-------------|--|--|--|--|--|--|
| 1 | 826620010 | Electric plate Ø=220mm - 2600W 400V | x 4 | | | | | | |
| 2 | 821550020 | Protection for plate D.220 | 4 | | | | | | |
| 3 | 826630070 | Six-way switch 16A | x 4 | | | | | | |
| 4 | 826650020 | Signal lamp 230V (green) | x 4 | | | | | | |
| 5 | 826630100 | Terminal board FV 122/B | 1 | | | | | | |
| 6 | 824710320 | Switch knob 6 pos. | x 4 | | | | | | |
| 7 | 824710080 | Red index | 4 | | | | | | |
| 8 | 822410120 | Exhaust grid | 2 | | | | | | |
| 9 | 824710200 | Cable retainer PG21 | 1 | | | | | | |
| 10 | 824710210 | Lock nut PG21 | 1 | | | | | | |
| | | | | | | | | | |
| | | | | | | | | | |
| | | | | | | | | | |
| | | | | | | | | | |
| | | | | | | | | | |
| | | | | | | | | | |
| | | | | | | | | | |
| | | | | | | | | | |
| | | | | | | | | | |
| | | | | | | | | | |
| | | | | | | | | | |
| | | | | | | | | | |
| | | | | | | | | | |
| | | | | | | | | | |
| | | | | | | | | | |
| | | | | | | | | | |
| | | | | | | | | | |
| | | | | | | | | | |
| | | | | | | | | | |
| | | | | | | | | | |
| | | | | | | | | | |
| | | | | | | | | | |
| | | | | | | | | | |
| | | | | | | | | | |
| | | | | | | | | | |
| | | | | | | | | | |
| | | | | | | | | | |
| | | | | | | | | | |
| | | | | | | | | | |

X : Suggested PARTS

PIASTRE ELETTRICHE TOP (Serie 700 - 1/1M)
ELECTRIC PLATES TOP

RIF. Da matricola n°
REF. From serial n°

cine p



(.....) RICAMBIO CONSIGLIATO
 (.....) SUGGESTED SPARE-PARTS

PIASTRE ELETTRICHE TOP (Serie 700 - 1+1/2M)
ELECTRIC PLATES TOP (Serie 700 - 1+1/2M)

Tav. Rif. BCP0070-(54)

RIF. Da matricola n°
 REF. From serial n°

Rev.00 del 16/06/1997

Baron Cucine Professionali S.r.l.

RIPRODUZIONE, ANCHE PARZIALE, VIETATA

BCP0070-(53)

ELECTRIC PLATES TOP

cine p

(1+1/2M)

| Pos | Code | Denomination | 700 | 1+1/2M | | | | | |
|-----|-----------|-------------------------------------|-----|--------|--|--|--|--|--|
| 1 | 826620010 | Electric plate Ø=220mm - 2600W 400V | x | 6 | | | | | |
| 2 | 821550020 | Protection for plate D.220 | | 6 | | | | | |
| 3 | 826630070 | Six-way switch 16A | x | 6 | | | | | |
| 4 | 826650020 | Signal lamp 230V (green) | x | 6 | | | | | |
| 5 | 826630100 | Terminal board FV 122/B | | 1 | | | | | |
| 6 | 824710320 | Switch knob 6 pos. | x | 6 | | | | | |
| 7 | 824710080 | Red index | | 6 | | | | | |
| 8 | 822410120 | Exhaust grid | | 3 | | | | | |
| 9 | 824710200 | Cable retainer PG21 | | 1 | | | | | |
| 10 | 824710210 | Lock nut PG21 | | 1 | | | | | |
| | | | | | | | | | |
| | | | | | | | | | |
| | | | | | | | | | |
| | | | | | | | | | |
| | | | | | | | | | |
| | | | | | | | | | |
| | | | | | | | | | |
| | | | | | | | | | |
| | | | | | | | | | |
| | | | | | | | | | |
| | | | | | | | | | |
| | | | | | | | | | |
| | | | | | | | | | |
| | | | | | | | | | |
| | | | | | | | | | |
| | | | | | | | | | |
| | | | | | | | | | |
| | | | | | | | | | |
| | | | | | | | | | |
| | | | | | | | | | |
| | | | | | | | | | |
| | | | | | | | | | |
| | | | | | | | | | |
| | | | | | | | | | |
| | | | | | | | | | |
| | | | | | | | | | |
| | | | | | | | | | |
| | | | | | | | | | |
| | | | | | | | | | |
| | | | | | | | | | |
| | | | | | | | | | |
| | | | | | | | | | |
| | | | | | | | | | |
| | | | | | | | | | |
| | | | | | | | | | |
| | | | | | | | | | |
| | | | | | | | | | |
| | | | | | | | | | |
| | | | | | | | | | |

X : Suggested PARTS

PIASTRE ELETTRICHE TOP (Serie 700 - 1+1/2M)
 ELECTRIC PLATES TOP

RIF. Da matricola n°
 REF. From serial n°

| | |
|--|--|
| | |
|--|--|

Baron Cucine Professionali S.r.l.

RIPRODUZIONE ANCHE PARZIALE, VIETATA

GB

BCP0070-(54)