



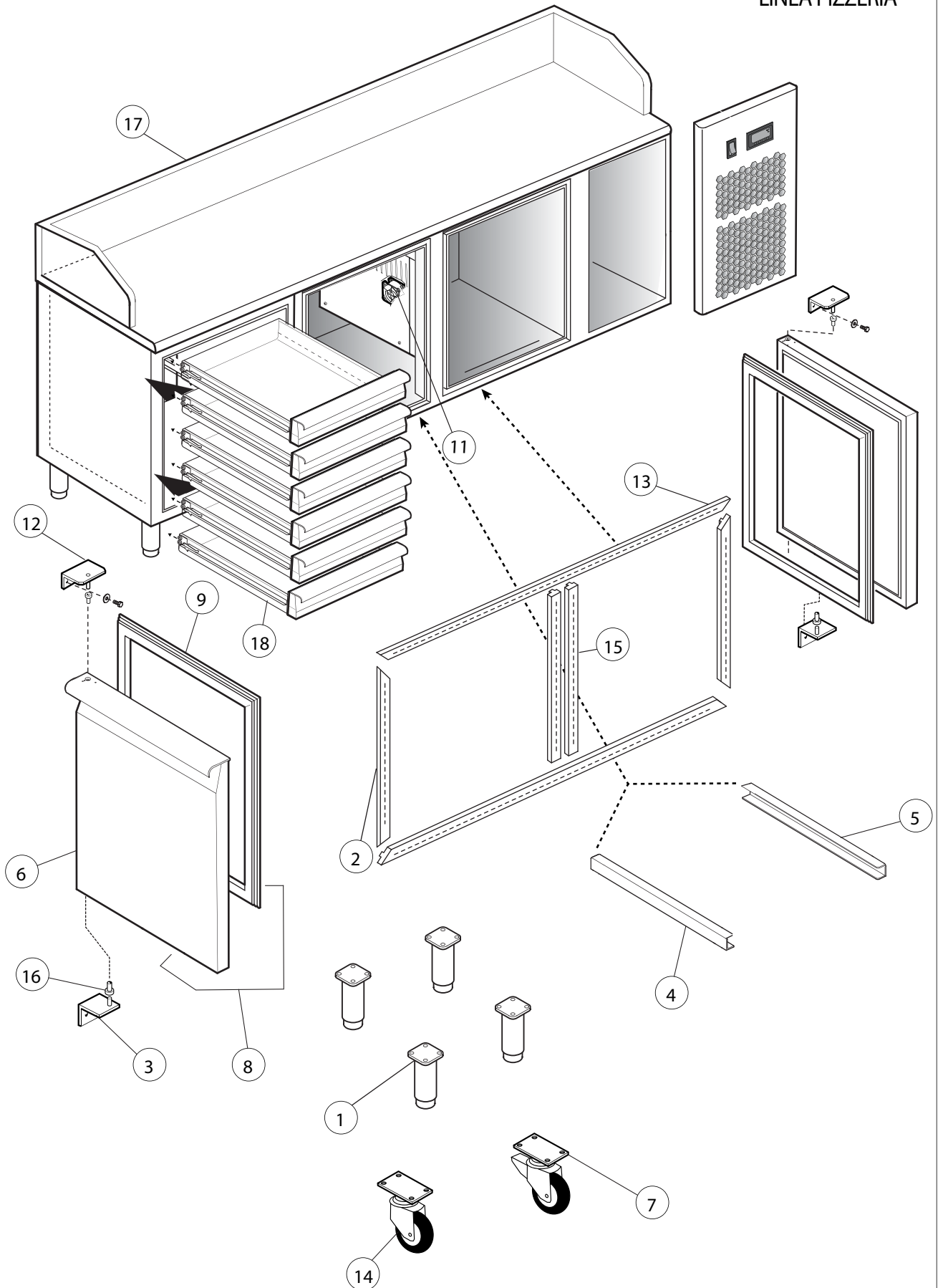
Kühlung Pizzatisch mit Kühl-Aufsatzvitrine

Artikel-Nr.
552006 (BN20293270C)

Explosionszeichnung / Ersatzteile

Bitte bei Ersatzteilbestellung immer Artikelnummer und Seriennummer mit angeben!

Tavoli • Counters
LINEA PIZZERIA



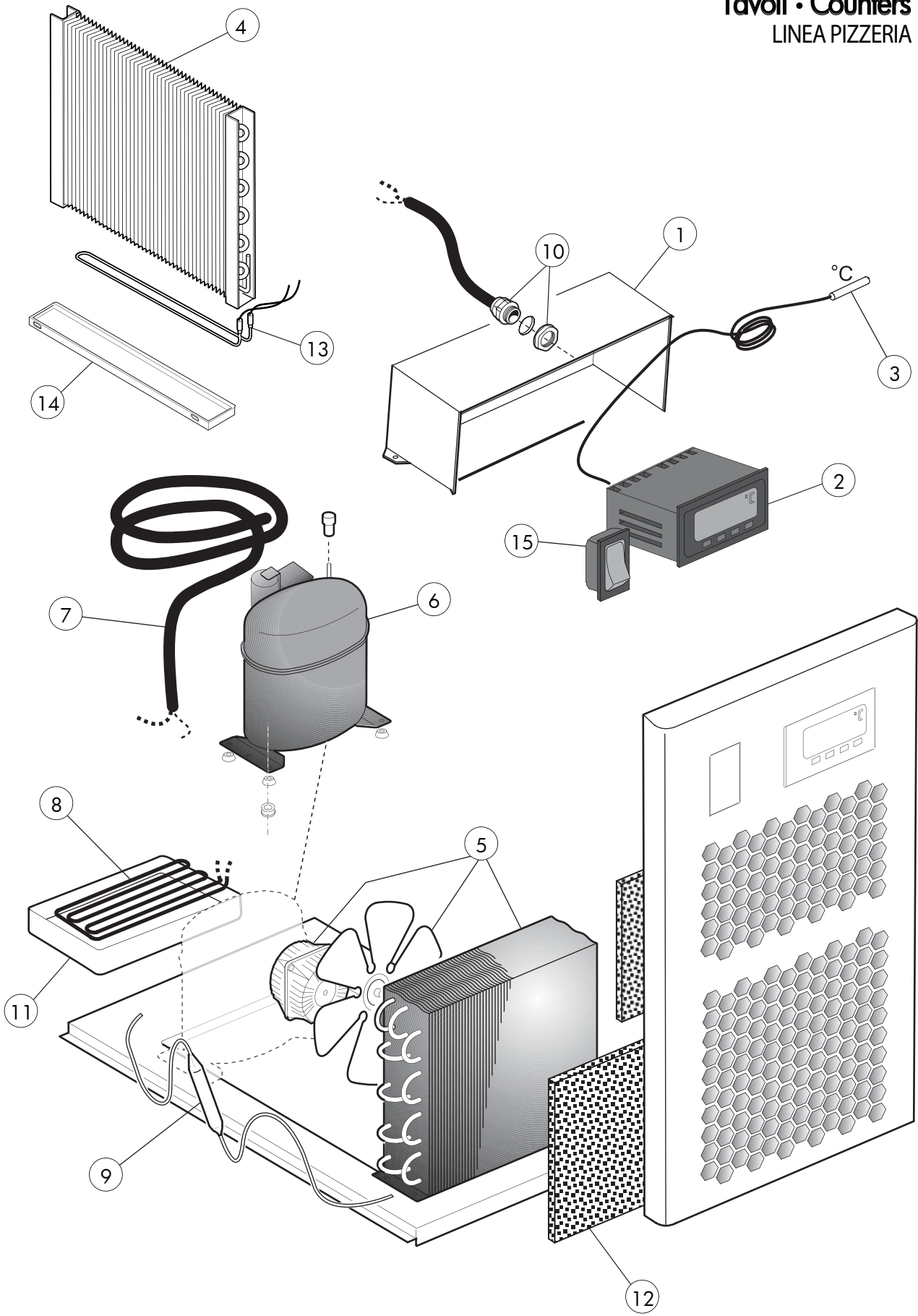
Table_A

EDITION 02 2013

20293270

TP 270 Q

Tavoli • Counters
LINEA PIZZERIA



Table_B

EDITION 02 2013

20293270 TP 270 Q

Tavoli - Counters

LINEA PIZZERIA

Table_A

POS.	CODE/CODICE	PIECES	DESCRIPTION	DESCRIZIONE	DATA
1	BN1467509	4	FEET	PIEDINO	
2	BN14710606672	2	VERTICAL PROFILE	PROFILO VERTICALE	
3	BN32213057	1	BOTTOM LEFT HINGE ◀	STAFFA INFERIORE ◀	
	BN32213056	1	BOTTOM LEFT HINGE ▶	STAFFA INFERIORE ▶	
4	BN3351300083	2	GUIDE SX	GUIDA CONTENITORI PIZZA SX	
5	BN3351300082	2	GUIDE DX	GUIDA CONTENITORI PIZZA DX	
6	BN32633382	1	DOOR DX	PORTA DX	
	BN32633383	1	DOOR SX	PORTA SX	
7	BN147824	2	CASTOR WITH BRAKE	RUOTA CON FRENO	
8	BN32633252	1	DOOR ASSEMBLY ◀	ASSIEME PORTA ◀	
	BN32633251	1	DOOR ASSEMBLY ▶	ASSIEME PORTA ▶	
9	BN14414580620	2	DOOR GASKET	GUARNIZIONE PORTA	
11	BN1648110150	2	FAN	VENTOLA	
12	BN1412271	2	TOP LEFT HINGE	STAFFA SUPERIORE	
13	BN1471171579	2	ORIZONTAL PROFILE	PROFILO ORRIZZONTALE	
14	BN147807	2	CASTOR WITHOUT BRAKE	RUOTA SENZA FRENO	
15	BN1471170600	2	VERTICAL PROFILE	MONTANTE VERTICALE	
16	BN140708030	2	BUCKLE 12x15	BOCCOLA 12x15	
17	BN14731103	1	PLAN GRANITE	PIANO IN GRANITO	
18	BN14051105	1	NEUTRAL CHEST 2 POSITIONS	CASSETTIERA NEUTRA 2 POSIZIONI	

Table_B

POS.	CODE/CODICE	PIECES	DESCRIPTION	DESCRIZIONE	DATA
1	BN33650514	1	CABLE PROTECTION	SUPPORTO ASSIEME ELETTRICO	
2	BN1681455	1	THERMOSTAT	TERMOSTATO	
3	BN167211	2	PROBE 3,0 MT	SONDA 3,0 MT	
4	BN14330210292	2	EVAPORATOR	EVAPORATORE	
5	FR6524910	1	CONDENSER	CONDENSATORE	
6	FR6688220	1	COMPRESSOR	COMPRESSORE	
7	BN1492081100302	1	EXCHANGER	TUBO RITORNO	
8	BN1492081100100	1	TRAY HEATING ELEMENT	TUBO SERPENTINA	
9	BN14354008	1	FILTER	FILTRO	
10	BN165906	1	CABLE PRESS	PRESSACAVO	
11	BN1405020084	1	TRAY FOR CONDENS.	BACINELLA RACCOGLI CONDENSA	
12	BN140400	1	FILTER	PANNO FILTRANTE	
13	BN1666754	1	HEATING + CLIXON	RESISTENZA + CLIXON	
14	BN1405020090	1	TRAY FOR CONDENS.	BACINELLA RACCOGLI CONDENSA	
15	BN1635115	1	MAIN SWITCH	INTERRUTTORE GENERALE	