

541118402 (94)  
541128302 (98)

532004100

537048700

537045800 (94)  
537045900 (98)

544407400

537027400

1

1

541196700 (94-ETD)  
541196600 (98-ETD)

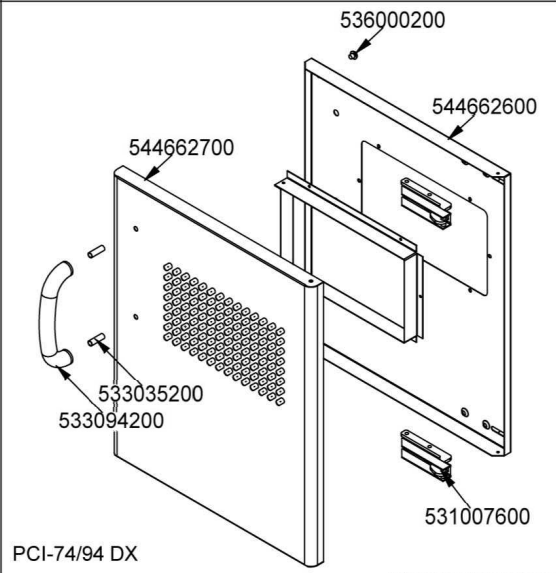
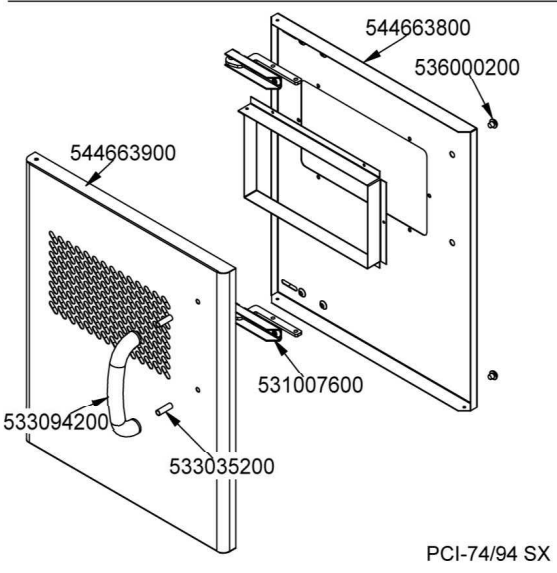
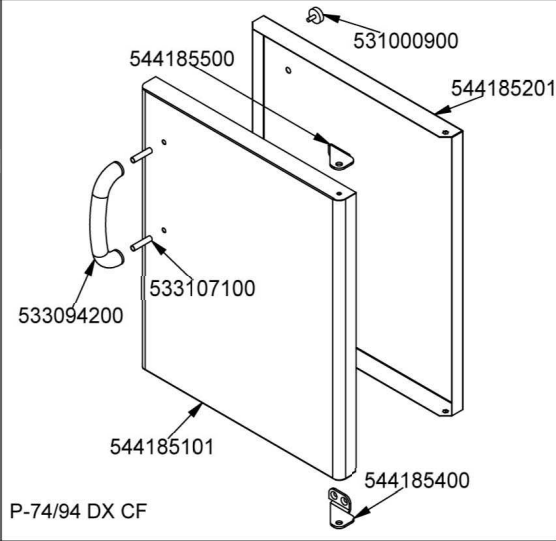
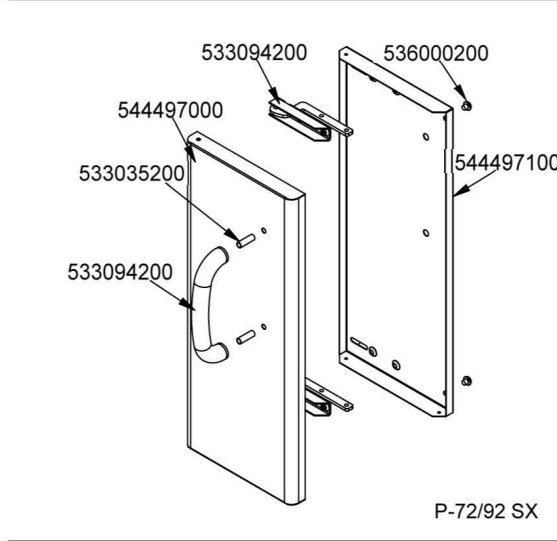
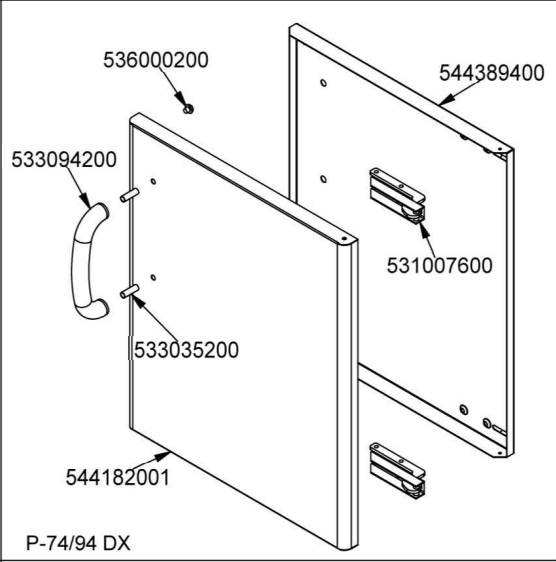
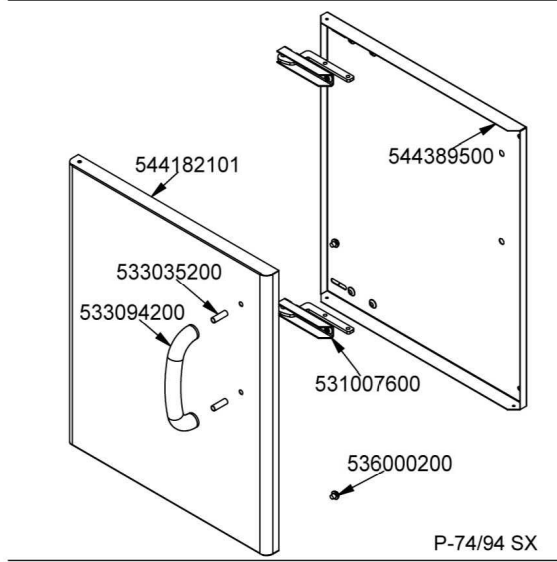
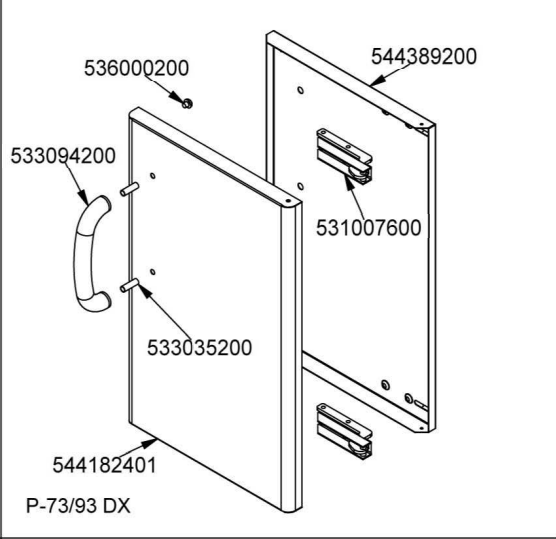
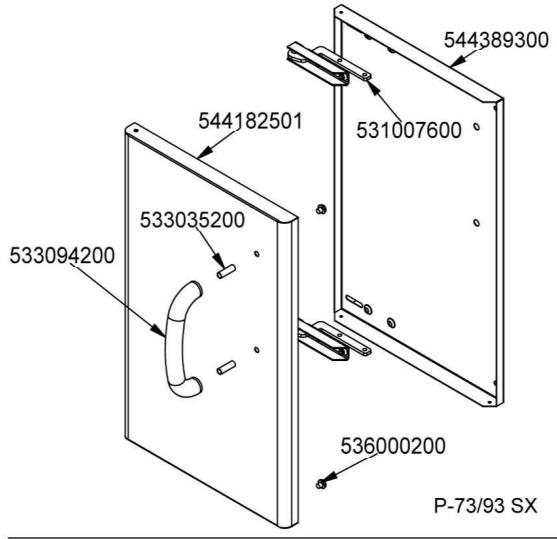
541112302 (94-ET)  
541120902 (98-ET)

2

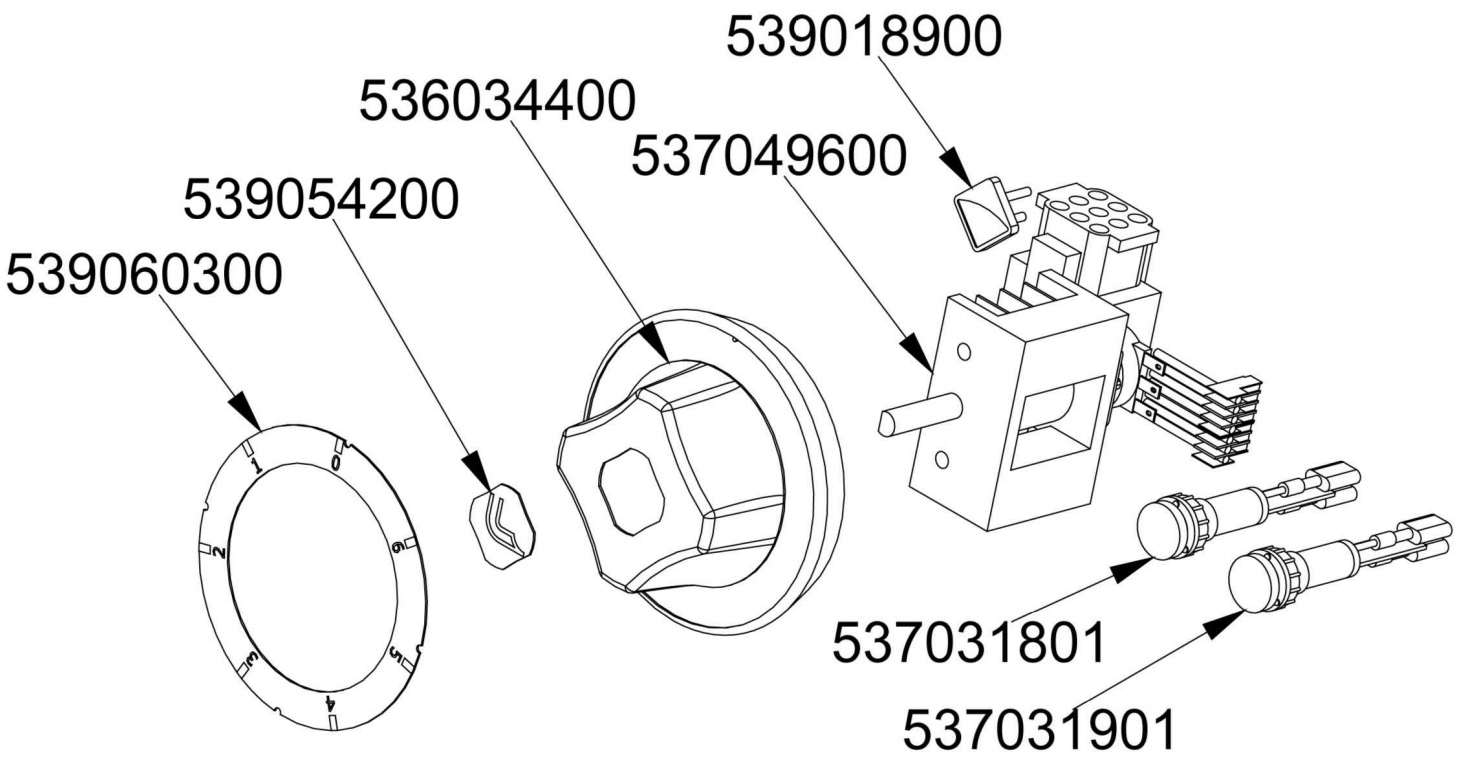
531034800

544407300

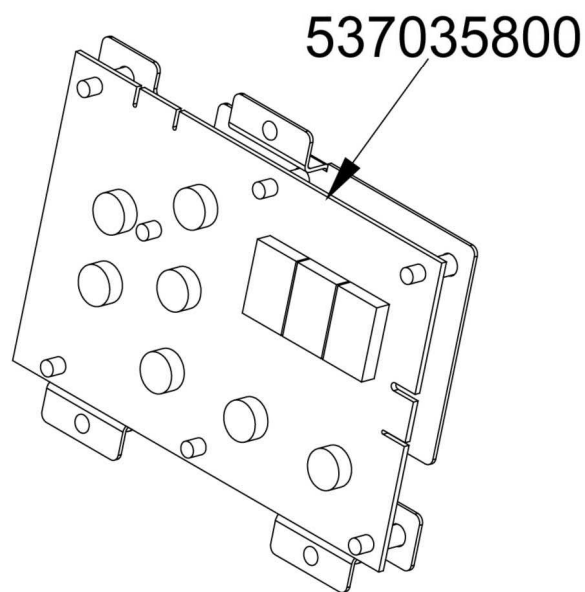
536005200



# (ET)



# (ETD)



| Page | Pos | Code      | Description                         |
|------|-----|-----------|-------------------------------------|
| 001  |     | 532004100 | FLUE GRID L=370 90LINE (RAF         |
| 001  |     | 541118402 | UPPER PLATE S90 PCI-94E VC          |
| 001  |     | 537048700 | PLATE WITH INDUCTORS S90            |
| 001  |     | 537045800 | GENERATOR PCI-94 5KW 400V3 (C       |
| 001  |     | 544407400 | LEFT SIDE PANEL 70 LINE             |
| 001  |     | 537027400 | TERMINAL BLOCK THREEPHASE 40A       |
| 001  |     | 541112302 | CONTROL PANEL PCI-74E               |
| 001  |     | 531034800 | NET FILTER FOR KSK                  |
| 001  |     | 536005200 | INOX LEG 2" 120-180 M10             |
| 001  |     | 544407300 | RIGHT SIDE PANEL 90 LINE            |
| 002  |     | 544389300 | CONTROP.73 SX APP. LT               |
| 002  |     | 531007600 | DOOR HINGE                          |
| 002  |     | 544182501 | LEFT DOOR 73                        |
| 002  |     | 533094200 | S/S HANDLE FOR 70/90 SERIES         |
| 002  |     | 533035200 | HANDLE SPACER                       |
| 002  |     | 536000200 | D.12 H.4 BUMPER                     |
| 002  |     | 544389200 | CONTROP.73 DX APP. LT               |
| 002  |     | 544182401 | RIGHT DOOR 73                       |
| 002  |     | 544182101 | LEFT DOOR 74                        |
| 002  |     | 544389500 | INNER-DOOR OF LHD 74                |
| 002  |     | 544389400 | CONTROP.74 DX APP. LT               |
| 002  |     | 544182001 | RIGHT DOOR 74                       |
| 002  |     | 544497000 | PORTA 72 SX                         |
| 002  |     | 544497100 | CONTROP.72 SX APP. LT               |
| 002  |     | 544185101 | RIGHT DOOR 74 CF                    |
| 002  |     | 533107100 | HANDLE SPACER OF CF-70              |
| 002  |     | 544185500 | UPPER DOOR HINGE FOR COMPARTME CF70 |
| 002  |     | 531000900 | MAGNET §22 KG.3 WITH DISK           |
| 002  |     | 544185201 | INNER DOOR * 74DX                   |
| 002  |     | 544185400 | LOWER DOOR HINGE FOR COMPARTME CF70 |
| 002  |     | 544663900 | LHD 74 DOOR FOR PCI                 |
| 002  |     | 544663800 | 74 LHD OVEN INNER DOOR FOUR PCI     |
| 002  |     | 544662700 | DOOR 74 DX PCI                      |
| 002  |     | 544662600 | CONTROP.74 DX APP. LT PCI           |
| 003  |     | 539018900 | INDEX FOR KNOB W/RED SIGN           |
| 003  |     | 536034400 | KNOB §77 4P. §06*4,6 C/M            |
| 003  |     | 537049600 | COMPLETE CONTROL FOR INDUCTORS      |
| 003  |     | 539054200 | STAMP Ø20,5 CR."L" LOTUS R.         |
| 003  |     | 539060300 | RED ADESIVE DISK FOR PCC/PCI-E      |
| 003  |     | 537031801 | GREEN WARNING LIGHT 12V E FASTON    |
| 003  |     | 537031901 | RED WARNING LIGHT PCI 12V E FASTON  |
| 003  |     | 537035800 | TOUCH ELECTRONIC BOARD FOR PCI      |