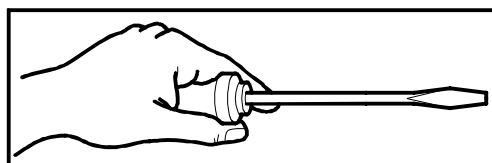
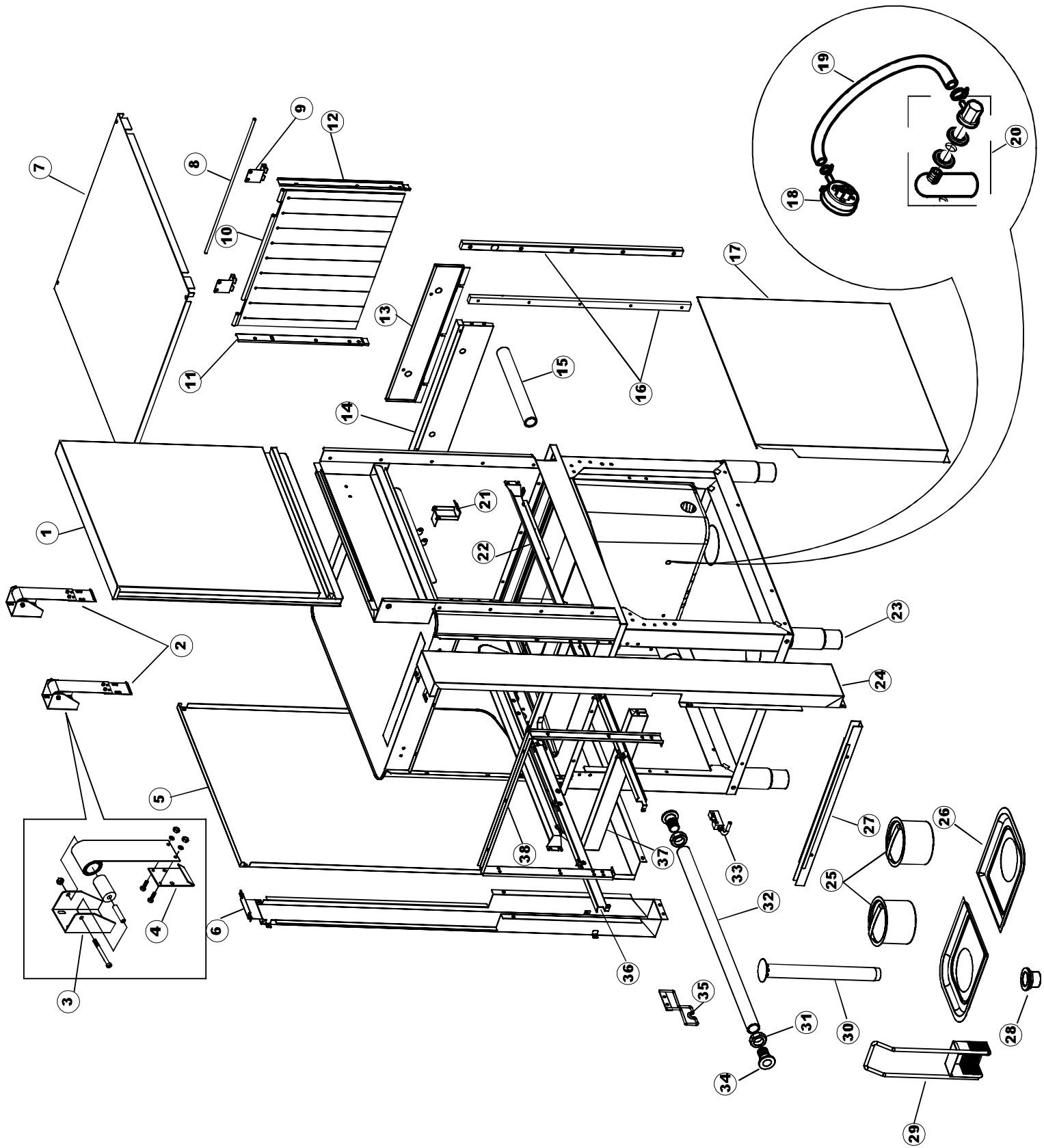
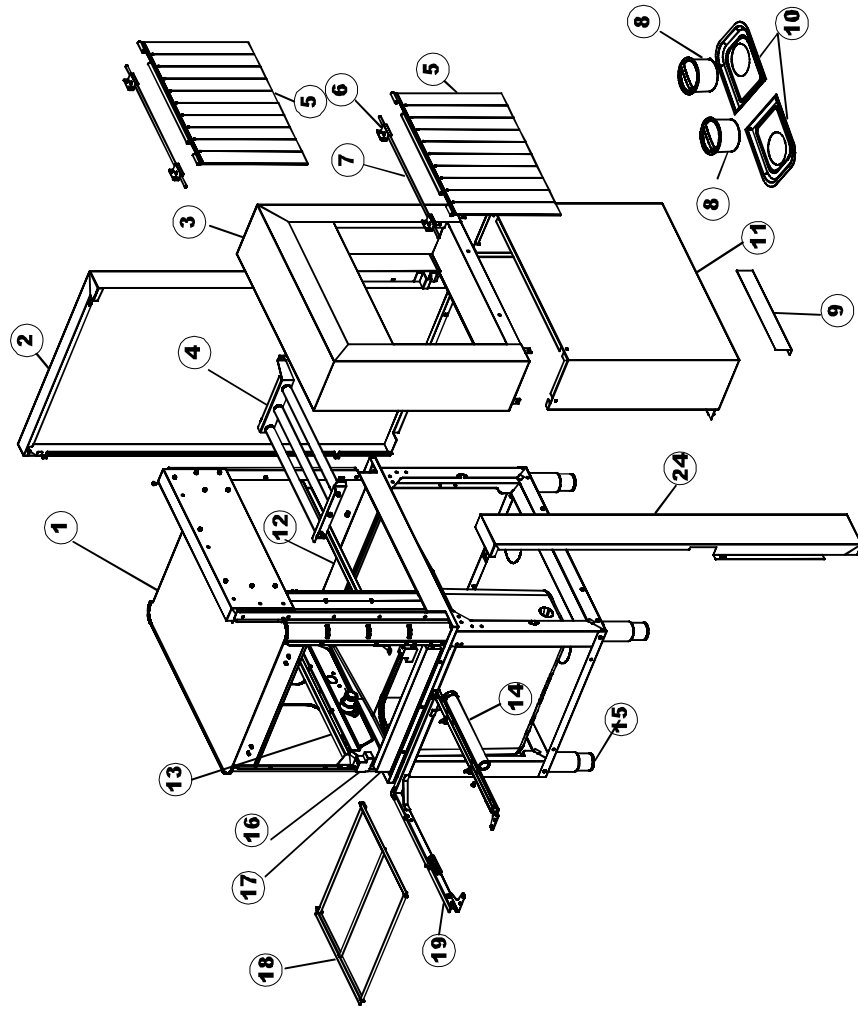


RIVER 154

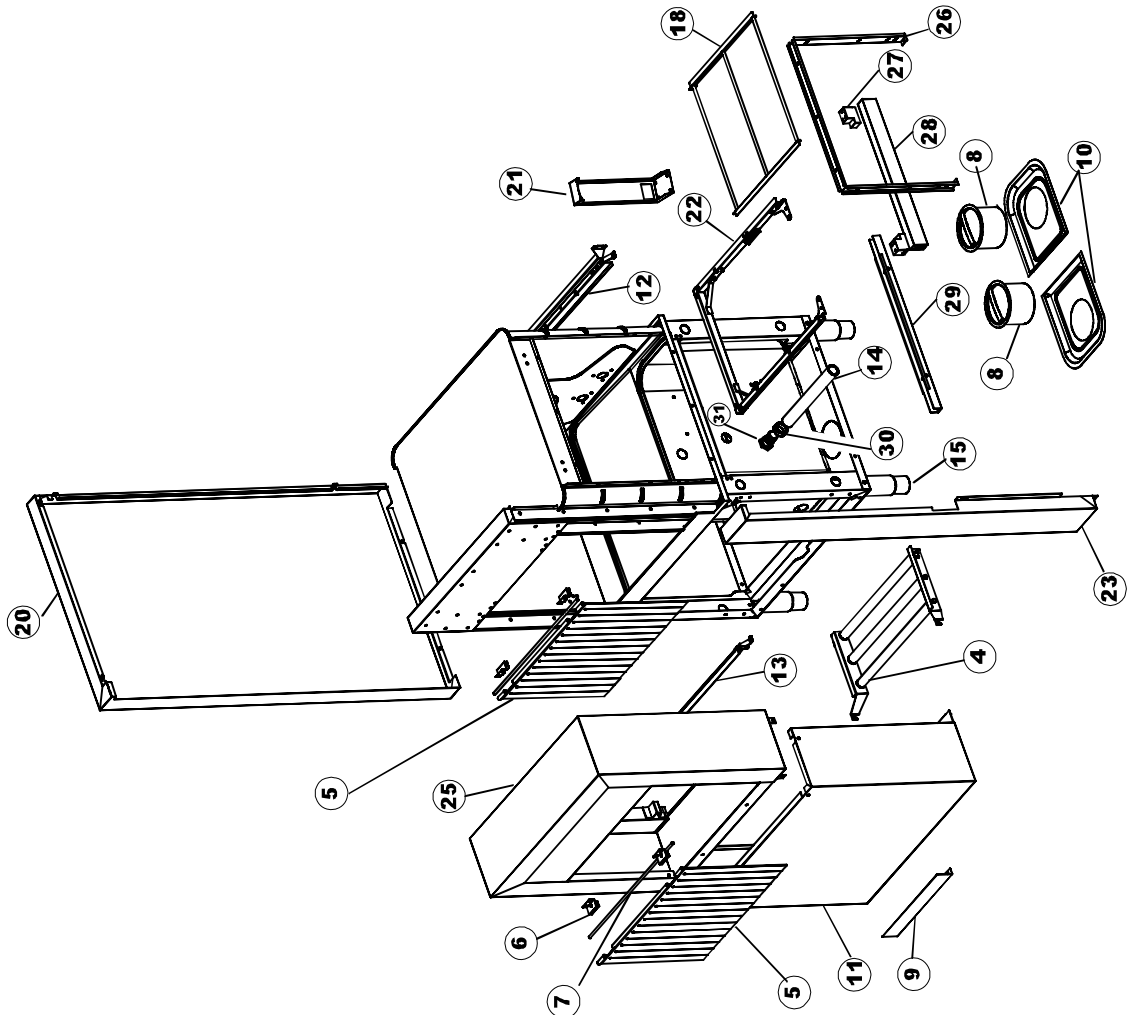


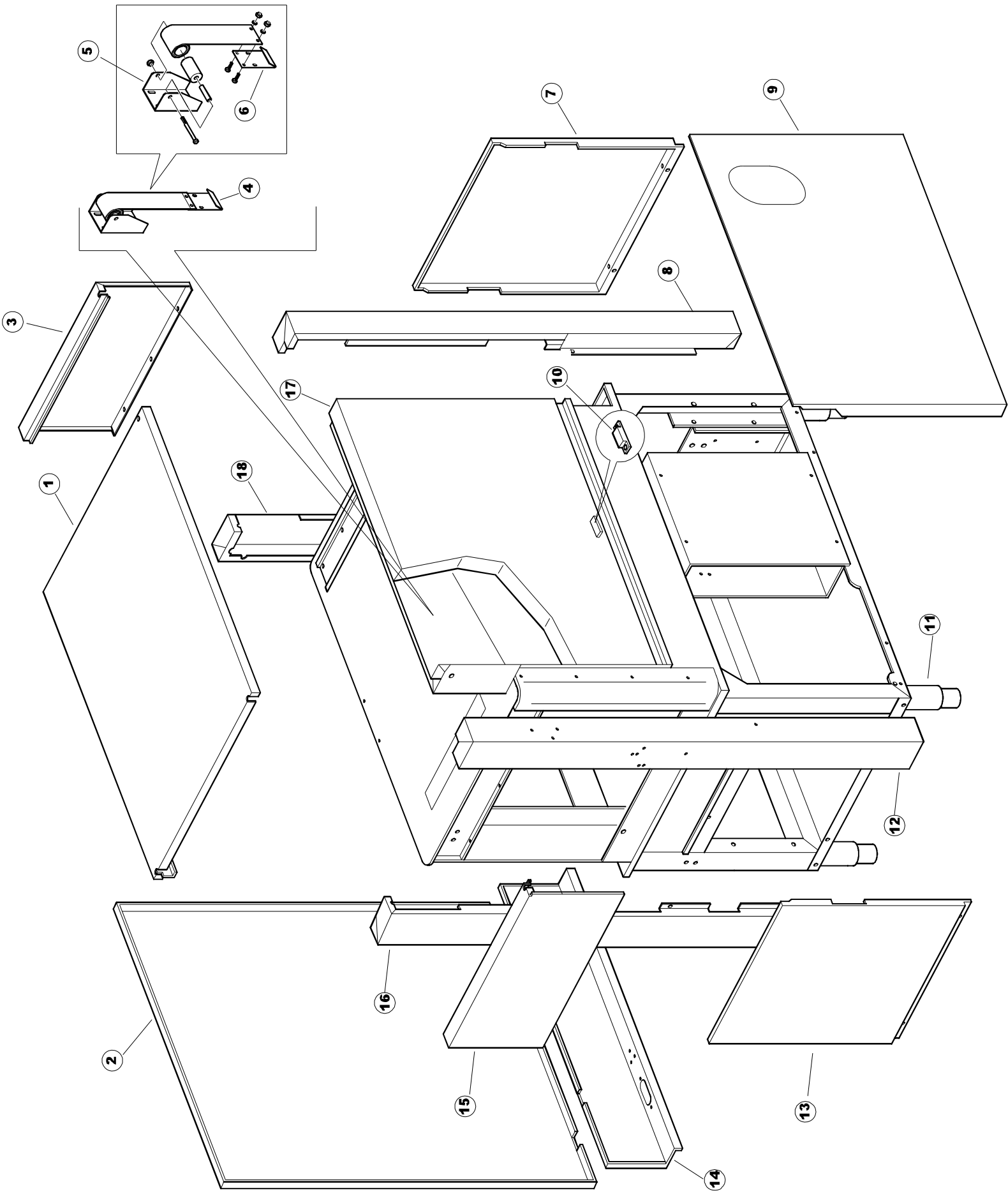


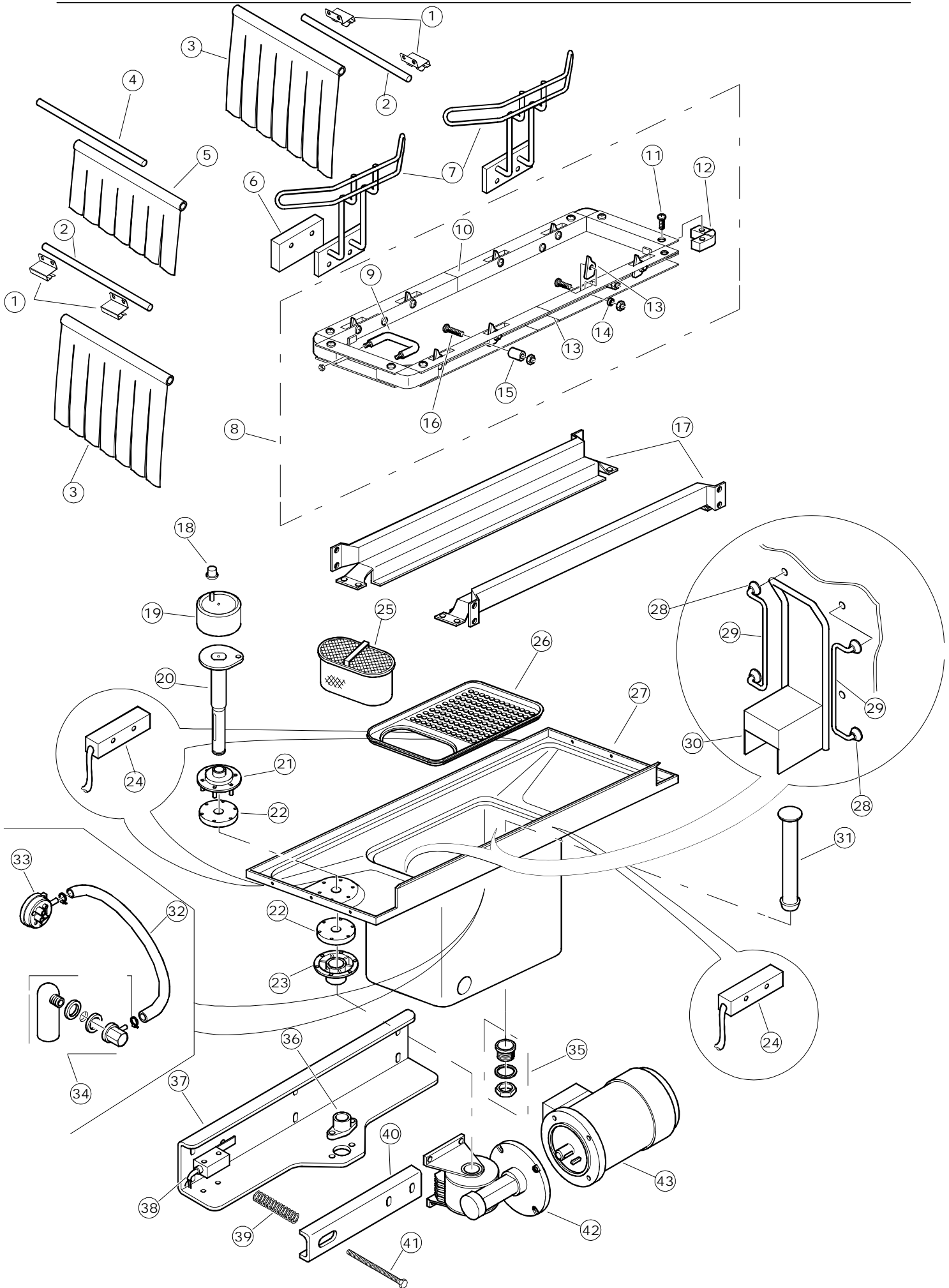
RIGHT

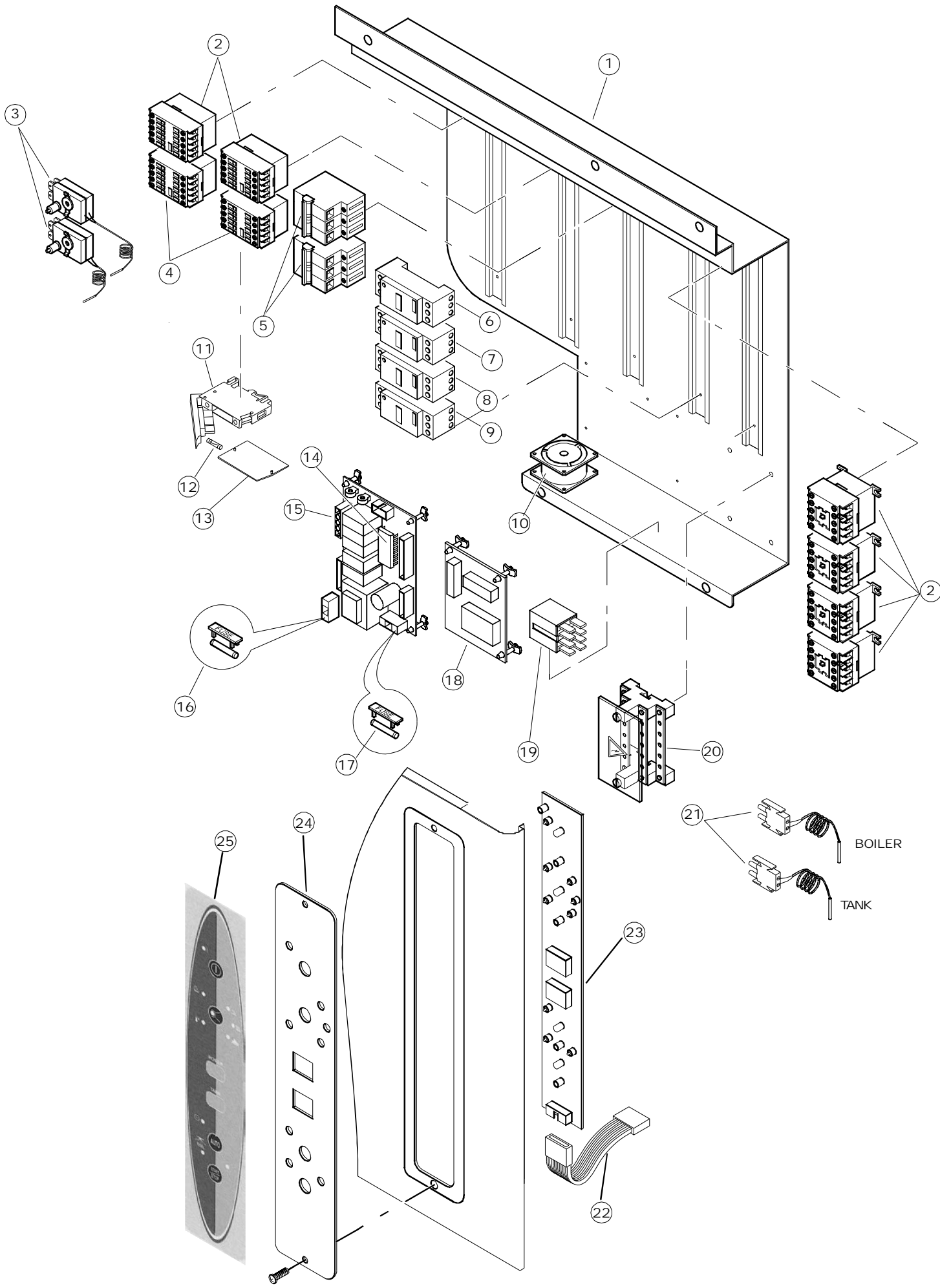


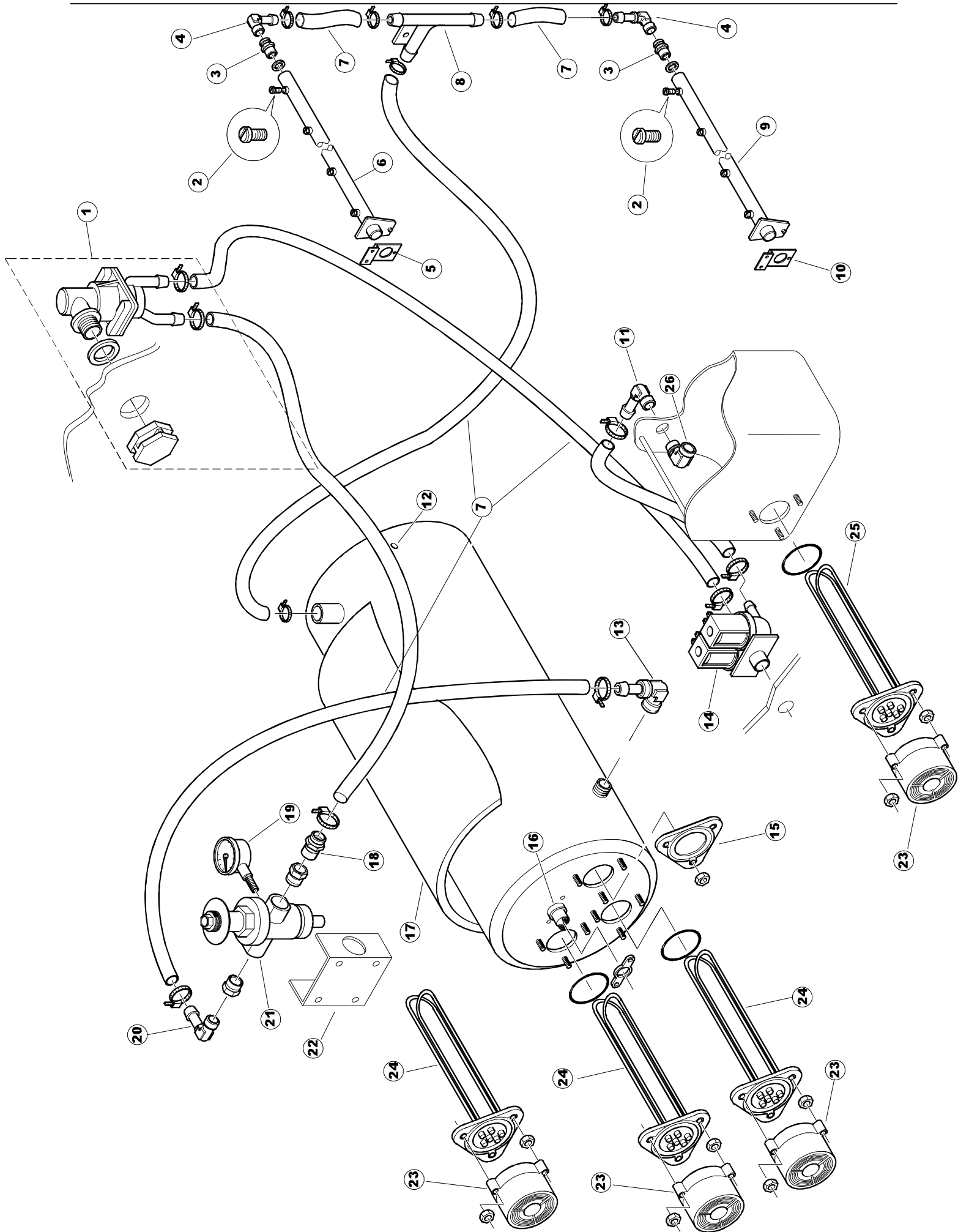
LEFT





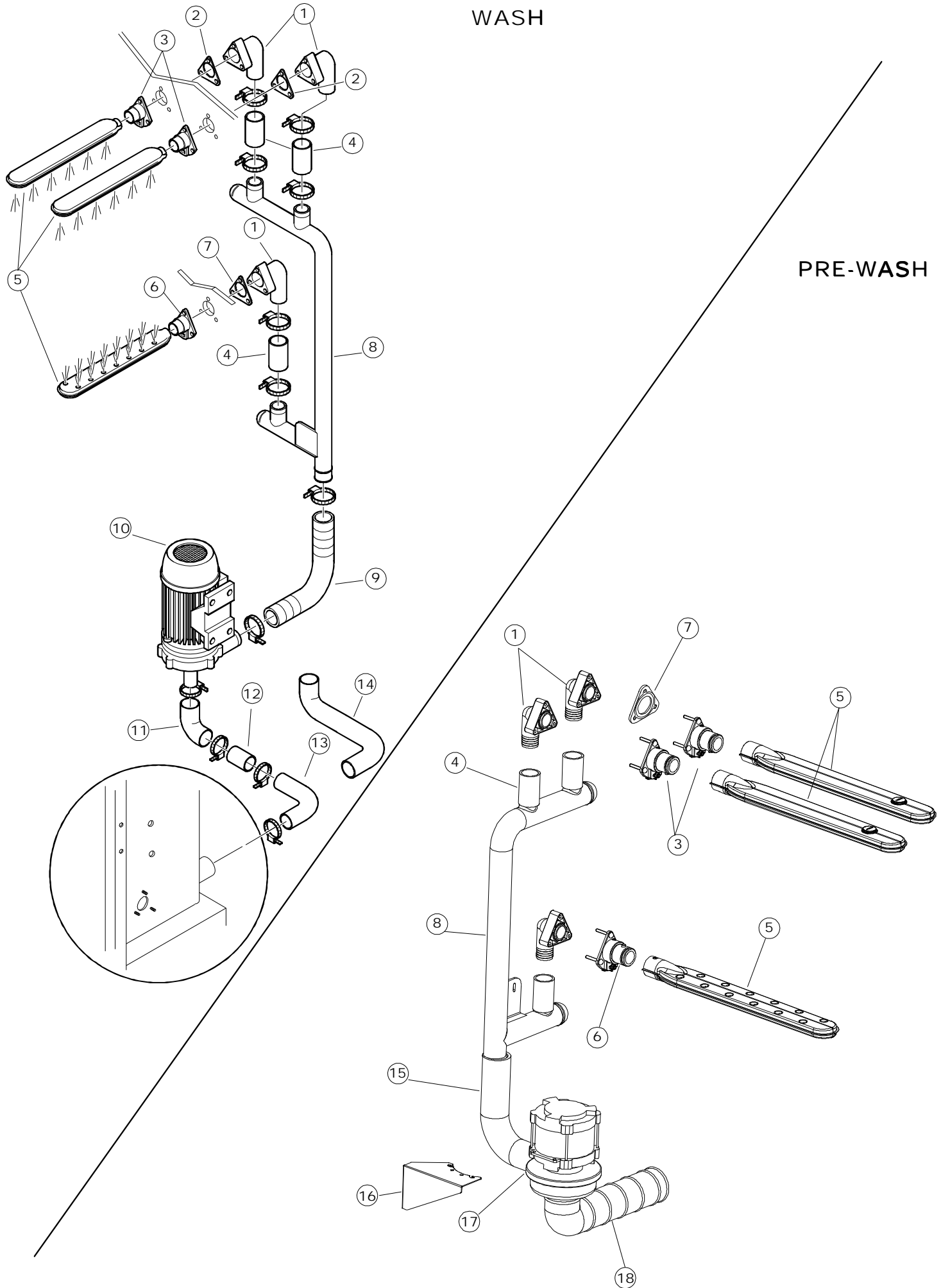


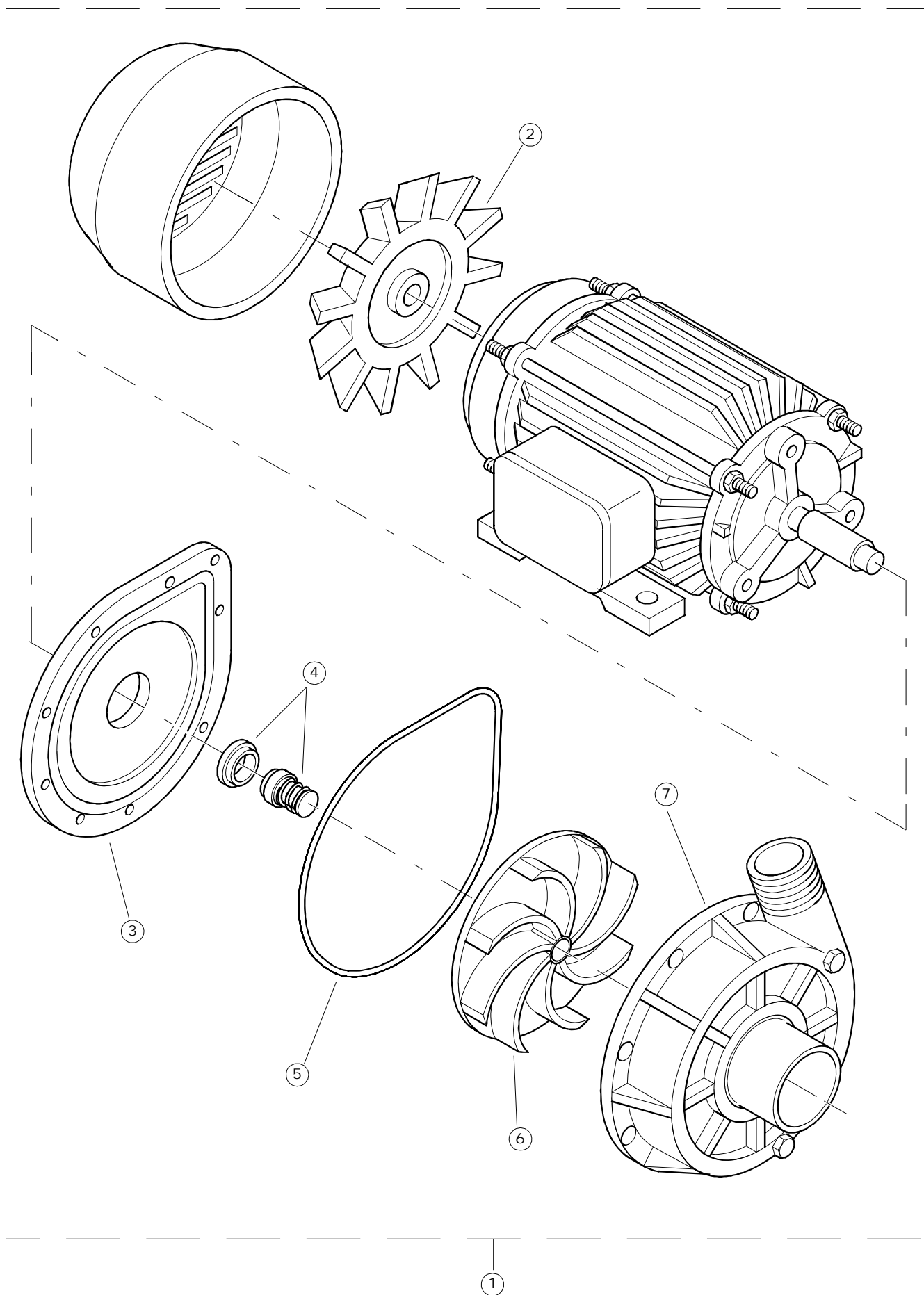


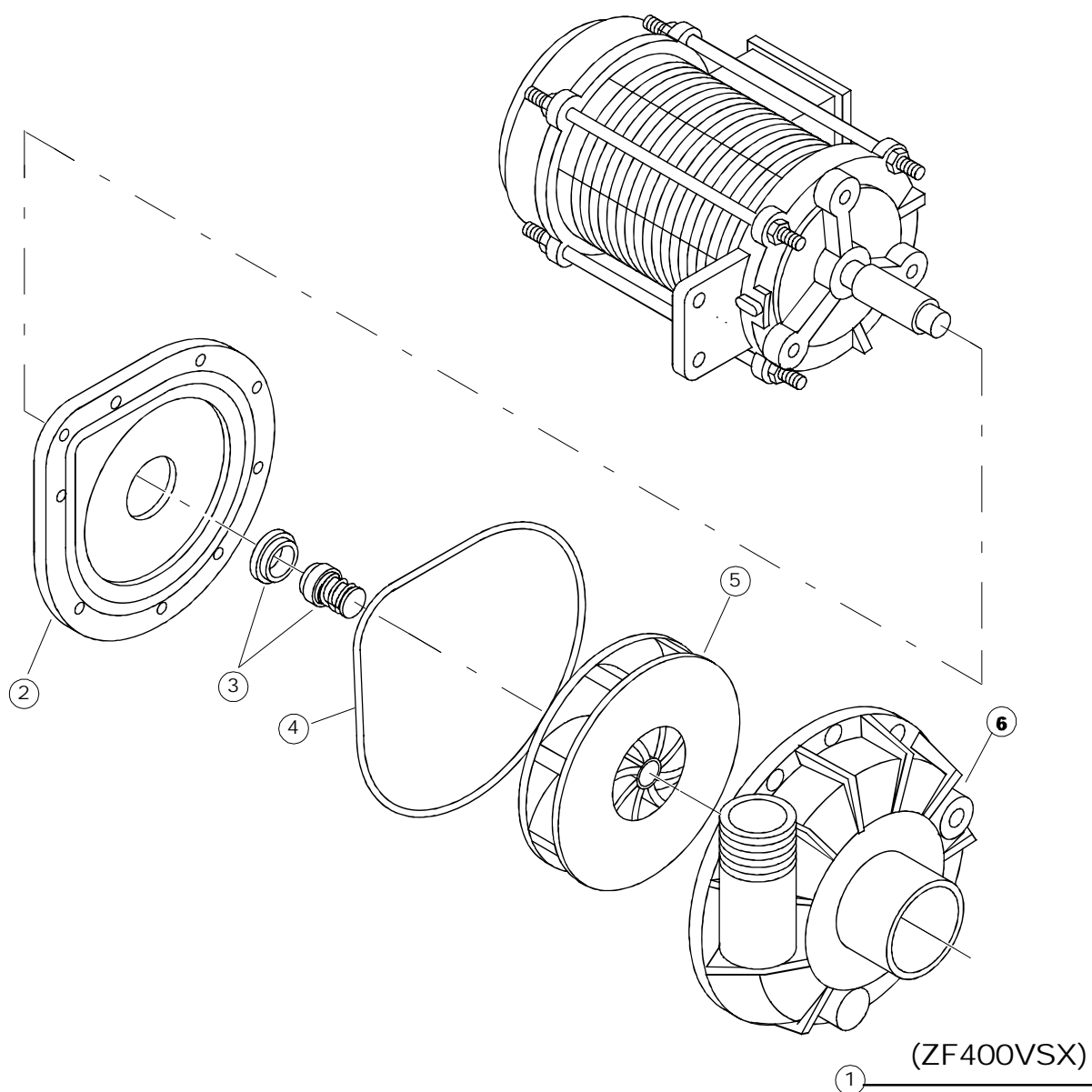


WASH

PRE-WASH





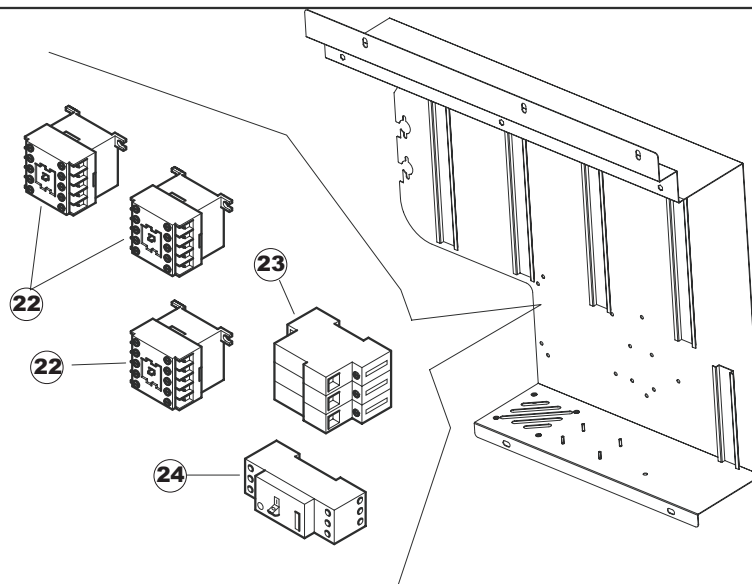
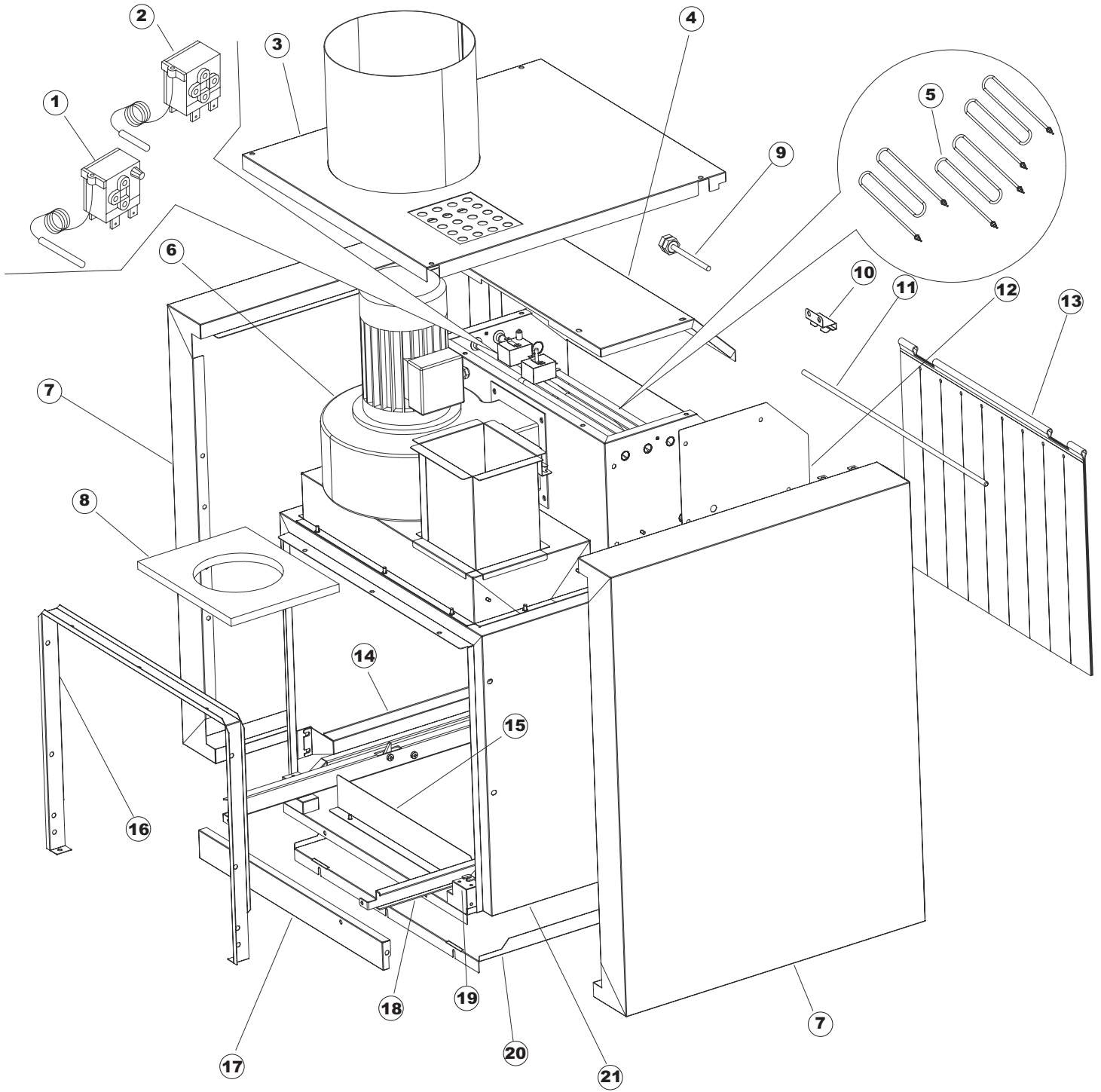


| Seite | Position | Code | Alter Code | Beschreibung | | |
|-------|----------|--------|------------|----------------------------------------------|--|--|
| 1 | 1 | 77534 | | SPORTELLO PRELAVAGGIO COMPLETO | | |
| 1 | 2 | 77560 | | FEDER KIT | | |
| 1 | 3 | 75225 | | BOX STÜTZFEDERN TÜR | | |
| 1 | 4 | 75226 | | FEDER-HAKEN | | |
| 1 | 5 | 77539 | | RUECKWANDVERKLEIDUNG | | |
| 1 | 6 | 77541 | | SUPPORT-CENTER RÜCKSEITE | | |
| 1 | 7 | 77542 | | OBERPANEEL | | |
| 1 | 8 | 75121 | | STAB, STÜTZE FÜR VORHANG | | |
| 1 | 9 | 75581 | | BEFESTIGUNGSWINKEL FUER VORHANG - FERTIGTEIL | | |
| 1 | 10 | 75120 | | VORHANG, EINTRITT/AUSTRITT | | |
| 1 | 11 | 75327 | | AUSSENENLINKKANAL MIT ECK-DICHTIGKEIT | | |
| 1 | 12 | 75328 | | AUSSENENLINKKANAL MIT ECK-DICHTIGKEIT | | |
| 1 | 13 | 75307 | | AEUSSERE VORDERPLATTE UNTEN PG FERTIFTEIL | | |
| 1 | 14 | 75308 | | INNEREUNTERE VORDERPLATTE PG-FERTIGTEIL | | |
| 1 | 15 | 77526 | | HOSE | | |
| 1 | 16 | 75047 | | SCHIEBEFÜHRUNG | | |
| 1 | 17 | 77543 | | PANEEL | | |
| 1 | 18 | 926049 | DEP45 | DRUCKSCHALTER 761999 180-70 | | |
| 1 | 19 | 143005 | SPG10 | SCHLAUCH TP 5X11 (CASER/15/NL C4N) | | |
| 1 | 20 | 984005 | REB984005 | GRUPPO CAMPANA PRESSOST.35/40 | | |
| 1 | 21 | 75064 | | SICHEREHEITSHAKEN | | |
| 1 | 22 | 77531 | | GUIDA CESTELLO PRELAVAGGIO PG FINITA | | |
| 1 | 23 | 926117 | DWP128U | VERSTELLFUSS X HAUB.3LEIT. | | |
| 1 | 24 | 77567 | | MONTANTE CENTRALE COMPLETO | | |
| 1 | 25 | 80159 | C.80159 | KORB, TANKFILTER RIVER 82/83 | | |
| 1 | 26 | 77540 | | SIEB | | |
| 1 | 27 | 77527 | | COLLEG. INFERIORE PRELAVAGGIO PG. FINITO | | |
| 1 | 28 | 80159 | C.80159 | KORB, TANKFILTER RIVER 82/83 | | |
| 1 | 29 | 77546 | | ABSAUG SIEB DER PUMPE | | |
| 1 | 30 | 77545 | | UEBERLAUFROHR | | |
| 1 | 31 | 77524 | | NUT | | |
| 1 | 32 | 77544 | | ROHRE | | |
| 1 | 33 | 211002 | REB211002 | KONTAKT, MAGNET.+KABEL 302N.Ocm25 | | |
| 1 | 34 | 77525 | | GEBOEGENS | | |
| 1 | 35 | 75105 | | BEF. WINKEL | | |
| 1 | 36 | 77530 | | KOMPLET WAGEN | | |
| 1 | 37 | 77528 | | PARETE DIVISORIA PG.FINITO | | |
| 1 | 38 | 77529 | | STAFFA COLLEGAMENTO MODULI PG.FINITO | | |
| 2 | 1 | 77701 | | TELAIO PREL-ANGOLO DX | | |
| 2 | 2 | 77793 | | MONTANTE ANTERIORE DX COMPLETO | | |
| 2 | 3 | 77761 | | CAPPETTA PRELAVAGGIO ANGOLO COMPLETA | | |
| 2 | 4 | 77794 | | WAGEN | | |
| 2 | 5 | 77120 | | VORHANG EINLAUF/AUSLAUF KORBTR. | | |
| 2 | 6 | 75380 | | STEIGBUEGEL | | |
| 2 | 7 | 77121 | | LAGER FUER VORHAN | | |
| 2 | 8 | 80159 | C.80159 | KORB, TANKFILTER RIVER 82/83 | | |
| 2 | 9 | 77136 | | STAFFA SOTTOPIANO PG.F | | |
| 2 | 10 | 77540 | | SIEB | | |
| 2 | 11 | 77774 | | PANNELLO ANTERIORE COMPLETO | | |
| 2 | 12 | 77782 | | KORBBAHN - RECHTS | | |
| 2 | 13 | 77783 | | KORBBAHN - LINKS | | |
| 2 | 14 | 77526 | | HOSE | | |

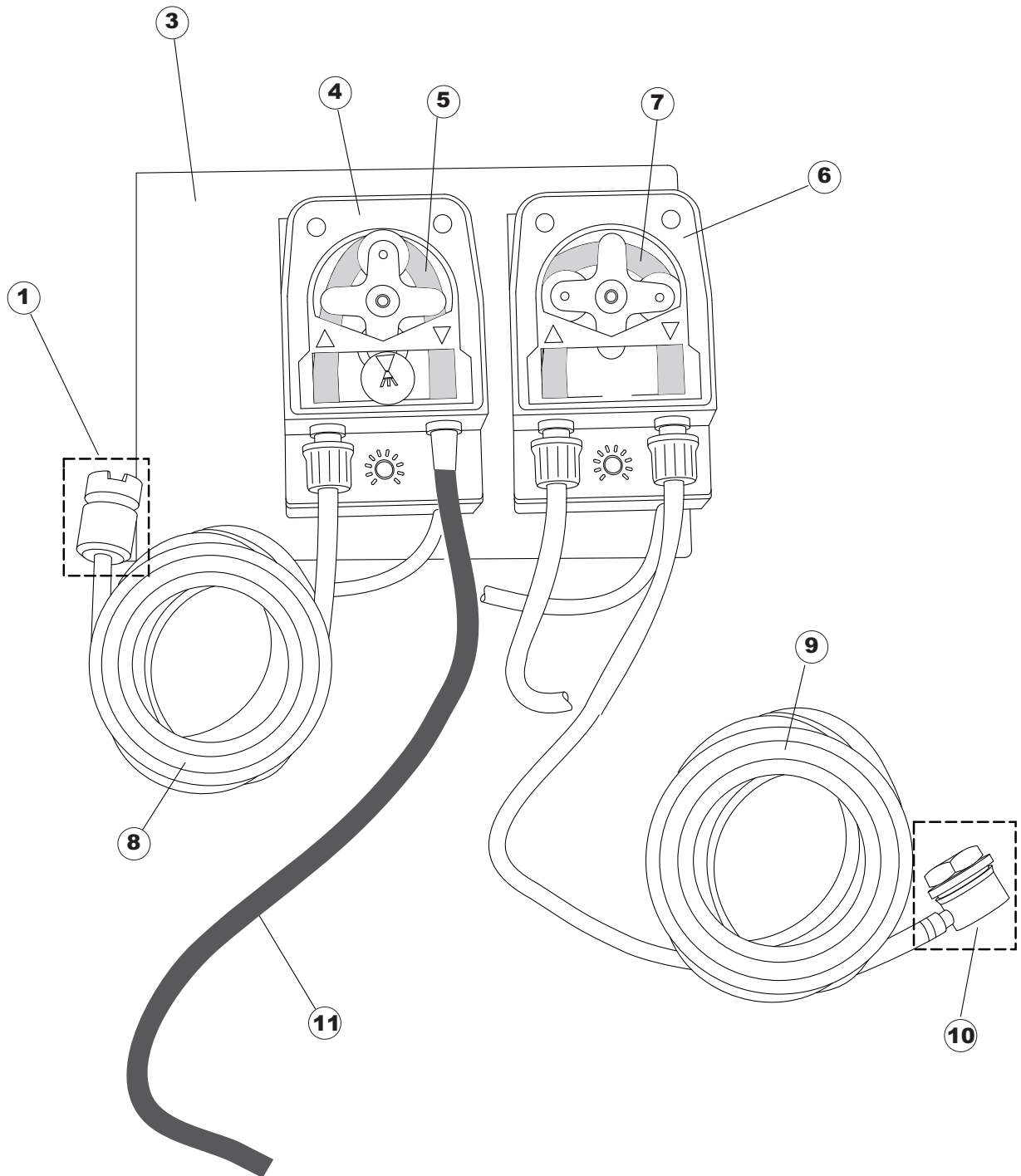
| | | | | | | |
|---|----|---------|-----------|-------------------------------------------------|--|--|
| 2 | 15 | 926117 | DWP128U | VERSTELLFUSS X HAUB.3LEIT. | | |
| 2 | 16 | 75378 | | BLOCCHETTO SOSTEGNO GUIDE | | |
| 2 | 17 | 77528 | | PARETE DIVISORIA PG.FINITO | | |
| 2 | 18 | 77764 | | TELAIO APPOGGIO CESTI (SALDATO) | | |
| 2 | 19 | 77795 | | VORSCHUB-WAGEN | | |
| 2 | 20 | 77790 | | NICHT IN DER PREIS LISTE | | |
| 2 | 21 | 77710 | | SUPPORTO POMPA PG.F | | |
| 2 | 22 | 77796 | | VORSCHUB-WAGEN | | |
| 2 | 23 | 77779 | | MONTANTE CENTRALE ANTERIORE COMPLETO | | |
| 2 | 24 | 77792 | | MONTANTE ANTERIORE SX COMPLETO | | |
| 2 | 25 | 77761 | | CAPPETTA PRELAVAGGIO ANGOLO COMPLETA | | |
| 2 | 26 | 77790 | | NICHT IN DER PREIS LISTE | | |
| 2 | 27 | 75378 | | BLOCCHETTO SOSTEGNO GUIDE | | |
| 2 | 28 | 77528 | | PARETE DIVISORIA PG.FINITO | | |
| 2 | 29 | 77527 | | COLLEG. INFERIORE PRELAVAGGIO PG. FINITO | | |
| 2 | 30 | 77524 | | NUT | | |
| 2 | 31 | 77525 | | GEBOEGENS | | |
| 3 | 1 | 75050 | | PLATTE, OB. AUSS. FÜR KORBTR.PG MASCHINENFERTIG | | |
| 3 | 2 | 75244 | | RUECKWAND | | |
| 3 | 3 | 75035 | | PANEL OBEREN AUßEN | | |
| 3 | 4 | 75271 | | KIT TÜRFEDER GOLD80/RIVER150 | | |
| 3 | 5 | 75225 | | BOX STÜTZFEDERN TÜR | | |
| 3 | 6 | 75226 | | FEDER-HAKEN | | |
| 3 | 7 | 75053 | | SEITENPANEEL | | |
| 3 | 8 | 75284 | | PANNELLO ANG/ANT/DX SEDE COMANDI COMPL. | | |
| 3 | 9 | 75287EB | | VORDERPANEEL | | |
| 3 | 10 | 926014 | CWM8 | MAGNET 8x16x40 + CUST.xDEM201 | | |
| 3 | 11 | 926117 | DWP128U | VERSTELLFUSS X HAUB.3LEIT. | | |
| 3 | 12 | 75038 | | RUECKWAND | | |
| 3 | 13 | 75053 | | SEITENPANEEL | | |
| 3 | 14 | 75043 | | NICHT IN DER PREIS LISTE | | |
| 3 | 15 | 75035 | | PANEL OBEREN AUßEN | | |
| 3 | 16 | 75041 | | RUECKWAND | | |
| 3 | 17 | 75082 | | KOMPLETTE TUER | | |
| 3 | 18 | 75040 | | PANEL HINTEN RECHTS WINKEL | | |
| 4 | 1 | 75581 | | BEFESTIGUNGSWINKEL FUER VORHANG - FERTIGTEIL | | |
| 4 | 2 | 75121 | | STAB, STÜTZE FÜR VORHANG | | |
| 4 | 3 | 75120 | | VORHANG, EINTRITT/AUSTRITT | | |
| 4 | 4 | 75124 | | STAB, STÜTZE FÜR MITTL.VORHANG | | |
| 4 | 5 | 75123 | | ZWISCHENVORHANG | | |
| 4 | 6 | 927088 | CWM7 | MAGNETE PER MICROINTERRUTTORE | | |
| 4 | 7 | 75095 | | HEBEL FÜR SPARREGLER/AUTOTIMER KORBTR. | | |
| 4 | 8 | 75069 | | WAGEN FÜR KORBTR. "GOLD80" KOMPL. | | |
| 4 | 9 | 75073 | | GRIFF, KORBTRANSPORTM.VERBIND. | | |
| 4 | 10 | 75070 | | NICHT IN DER PREIS LISTE | | |
| 4 | 11 | 486169 | REB486169 | SCHRAUBE, INOX 4MAX10/4 TBCR-SP | | |
| 4 | 12 | 75075 | | KUFEN FÜR KORBTR. | | |
| 4 | 13 | 75071 | | ABLAUFVERSCHLUSS | | |
| 4 | 14 | 75077 | | BUCHSE, ABLAUFVERSCHLUSS | | |
| 4 | 15 | 75076 | | PUFFER, HALTEVORRICHTUNG FÜR KORBTRANSPORTAUT. | | |
| 4 | 16 | 486078 | CVI173 | SCHRAUBE TC-CE M6X40 INOX | | |
| 4 | 17 | 75024 | | KOMPLETTE FUEHRUNGSSCHIENE FUER KORB-TRANSPORT | | |
| 4 | 18 | 75058 | | ROLLE FÜR KORBTR. | | |
| 4 | 19 | 75231 | | SPRITZBLECH FÜR KORBTR. | | |
| 4 | 20 | 75235 | | ANTRIEBSWELLE KOMPL. | | |

| | | | | | | |
|---|----|--------------|-----------|------------------------------------------------|--|--|
| 4 | 21 | 75141 | | BUCHSE, OB. KORBTRANSPORTMASCHINE | | |
| 4 | 22 | 75168 | | DICHTUNG, FLANSCH, ANTRIEBSWELLE | | |
| 4 | 23 | 75057 | | BUCHSE, UNT. KORBTRANSPORTMASCHINE | | |
| 4 | 24 | 211002 | REB211002 | KONTAKT, MAGNET.+KABEL 302N.Ocm25 | | |
| 4 | 25 | 75146 | | FILTER, SAMML. MIT KORBTR.GRIFF | | |
| 4 | 26 | 75200 | | FILTER, FÜR KORBTR.TISCH | | |
| 4 | 28 | 472061 | | UNTERLEGSCHIEBE, FÜR KORB FÜHRUNG KL.3 | | |
| 4 | 29 | 42092 | C.42092 | FÜHRUNG, ABSAUG.FILTER U70 | | |
| 4 | 30 | 42089 | C.42089 | FILTER, ABSAUG. FÜR PUMPE U70 | | |
| 4 | 31 | 77533 | | DECKEL TANK | | |
| 4 | 32 | 143005 | SPG10 | SCHLAUCH TP 5X11 (CASER/15/NL C4N) | | |
| 4 | 33 | 926049 | DEP45 | DRUCKSCHALTER 761999 180-70 | | |
| 4 | 34 | 984005 | REB984005 | GRUPPO CAMPANA PRESSOST.35/40 | | |
| 4 | 35 | 42185 | C.42185 | ABFLUSS, KOMPL., INOX 1"1/2 (01713007) | | |
| 4 | 36 | 75142 | | BUCHSE, UNTEN KORBTR. | | |
| 4 | 37 | 75217 | | MOTORHALTERUNG | | |
| 4 | 38 | 927246 | DEM11NT | MICROINTERRUPTORE MS30+CALOTTA VFC03 | | |
| 4 | 39 | CMT13 | | DRUCKFEDER D 20 L 100 DRAHT 2 | | |
| 4 | 40 | 75218 | | TRAGBUEGEL | | |
| 4 | 41 | 60354 | | JUSTIERSCHRAUBE FÜR KOPPLUNG ALFA | | |
| 4 | 42 | 927102 | DPR15 | RIDUTTORE MVF-49A 1/60 160/220 | | |
| 4 | 43 | 927104 | DPM120 | MOTORE 180W MEC71 B5 - 8POLI 230/400 160 | | |
| 5 | 1 | 75182 | | PANNELLO QUADRO ELETTRICO COMPLETO | | |
| 5 | 2 | 80350 | | KONTAKT, 230-50/60HZ 3RT1016-1AP01 | | |
| 5 | 3 | 927057 | | TERMOSTATO 3 CONTATTI 90/110°C TYPE LS1 | | |
| 5 | 4 | 80351 | C.80351 | SCHALTSCHÜTZ DREIPOL. 40A | | |
| 5 | 5 | 927038 | DEP2F | PORTAFUSIBILE TRIPOLARE GK1-DF | | |
| 5 | 6 | DEI35 | | AUTOMATIKSCHALTER 3X25A 07/1A 3RV1011-OJA10 | | |
| 5 | 7 | DEI37 | | AUTOMATIKSCHALTER 3X25A 1,8/2,5A 3RV1011-1CA10 | | |
| 5 | 8 | DEI40 | | AUTOMATIKSCHALTER 3X25A 2,8/4A 3RV1011-1EA10 | | |
| 5 | 10 | 77044 | | VENTILATORE QUADRO 80X25 (230V-50/60HZ) | | |
| 5 | 11 | H.228048 | | * SICHERUNGSTRAGER-VERSCHLUSS | | |
| 5 | 12 | 228004 | | SICHERUNG, 5X20 4A FAST | | |
| 5 | 13 | H.228047 | | *SICHERUNGSTRAGER | | |
| 5 | 14 | 81008 | | MIKROPROZESSOR GL82-GL84 | | |
| 5 | 15 | 215023 | | KARTE GET-5/NIAGARA-RIVER | | |
| 5 | 16 | 926283 | | FUSIBILE 315MA | | |
| 5 | 17 | 926284 | | FUSIBILE 800MA | | |
| 5 | 18 | 215022 | | KARTE ESP1 1RELAIS X GET5 | | |
| 5 | 19 | 929115 | DER1108 | RELE 16A 230V 62.82 | | |
| 5 | 20 | 75983 | | KLEMMLEISTE 4P 600V | | |
| 5 | 21 | 231014 | | SONDE, TEMP. GET-5 | | |
| 5 | 22 | 926272 | | CAVO FLAT CAPOT RIVER DARE 80933 | | |
| 5 | 23 | 41600 | | TASTATUR, 4-TASTEN 2 DISPLAY U61E | | |
| 5 | 24 | 41380 | | SCHALTAFEL U61E | | |
| 5 | 25 | 75906 | | MASKE RIVER 152-154 | | |
| 6 | 1 | 144010 | REB144010 | RÜCKSCHLAGVORR.(EB | | |
| 6 | 2 | 75133 | | SPRITZDÜSE, NACHSPÜLEN, INOX | | |
| 6 | 3 | 75401 | | VERBINDUNGSST., NACHSPÜLARM KORBTR. | | |
| 6 | 4 | 77904 | | TUERE | | |
| 6 | 5 | 75131 | | BEF.WINKEL | | |
| 6 | 6 | 75115 | | OB. NACHSPÜLARM, KOMPL. | | |
| 6 | 7 | 143010 | SPG61 | ROHR, DRUCKSCHALTER TP 12X19.5 | | |
| 6 | 8 | H.882974-001 | | KUNSTSTOFFKUPPLUNG | | |
| 6 | 9 | 75125 | | UNT. ARM, NACHSPÜLEN KOMPL. | | |
| 6 | 10 | 75129 | | BEFESTIGUNGSWINKEL, UNT. FÜR NACHSPÜLARM PG.F | | |

| | | | | | | |
|---|----|---------|------------|---------------------------------------------------|--|--|
| 6 | 11 | 929163 | DZR2622 | RACCORDO IN OTTONE 3/8M CURVO METANO | | |
| 6 | 12 | 75275 | | BOILER 14 LT, KORBTRANSPORTMASCHINE | | |
| 6 | 13 | 108006 | REB108006 | KNIESTÜCK, BOILER EINTRITT/AUSTRITT | | |
| 6 | 14 | 929172 | | ELETTROVALV.3/4 DOPPIA 220V(341930)P16LT | | |
| 6 | 15 | 926053 | DWT100 | PFROPFEN/FLANSCH BLIND 170880543 | | |
| 6 | 16 | 75985 | | THERMOSTAT DES WARMWASSERBEREITERS (100°C) +/-5°C | | |
| 6 | 17 | 75245 | | BOILERISOLIERUNG GOLD 80 | | |
| 6 | 18 | 927015 | DZR263 | RACCORDO IN OTTONE 3/8 PORTAGOMMA D12 | | |
| 6 | 19 | 75998 | | MANOMETER FÜR REDUZIERST.(0-2,5 BAR) | | |
| 6 | 20 | 929163 | DZR2622 | RACCORDO IN OTTONE 3/8M CURVO METANO | | |
| 6 | 21 | 927150 | UAA6 | RIDUTTORE PRESSIONE 1/2" | | |
| 6 | 22 | 75283 | | BÜGEL, HALTER FÜR DRUCKMINDERER PG.F | | |
| 6 | 23 | 467002 | REB467002 | SCHUTZ, WIDERSTAND B.651 | | |
| 6 | 24 | 80398C | C.80398C | WIDERSTAND, B. 9500W 230V RIVER 82/83 | | |
| 6 | 25 | 230020C | REB230020C | KIT, WIDERSTAND REB230020 (8KW) | | |
| 6 | 26 | 927013 | SSR37 | RACCORDO OT.3/8X12 SALDATO CROMATO | | |
| 7 | 1 | 75155 | | VERBINDUNGSST., AUSS. SPÜL. KORBTR. | | |
| 7 | 2 | 437050 | REB437050 | DICHTUNG, KNIESTÜCK SCHLAUCHTÜLLE MOD 22 | | |
| 7 | 3 | 75169 | | VERBIND., OB. LANZE KOMPL. | | |
| 7 | 4 | 75154 | | MUFFE, SPÜL.VERSORGUNG FÜR KORBTRANSPORTM. | | |
| 7 | 5 | 75616 | | SPUELARM | | |
| 7 | 6 | 75171 | | VERBIND., UNT. LANZE KOMPL. | | |
| 7 | 7 | 437050 | REB437050 | DICHTUNG, KNIESTÜCK SCHLAUCHTÜLLE MOD 22 | | |
| 7 | 8 | 75165 | | ZUFLUSSROHR FÜR SPÜLEN / KORBTRANSP. | | |
| 7 | 9 | 80187 | C.80187 | MUFFE, ZUFUHR PUMPE RIVER 82/83 | | |
| 7 | 10 | 75175 | | ELEKTROPUMPE 1,1 KW 230/400-240/415 50 422512725 | | |
| 7 | 11 | 926056 | DZG461 | KNIESTÜCK, GUMMI, ABSAUG.PUMPE 120/140 | | |
| 7 | 12 | 929165 | DZT7782 | TRONCHETTO INOX D60 MM.92 VEDI 42028 | | |
| 7 | 13 | 929164 | DZG60 | GOMITO IN GOMMA P2703 SAIAG | | |
| 7 | 14 | 75189 | | ZUFHURUNGSMUFFE | | |
| 7 | 15 | 77562 | | ZUFUHRUNGSMUFFE | | |
| 7 | 16 | 77554 | | STAFFA POMPA PRELAVAGG. PG FINITO | | |
| 7 | 17 | 77553 | | MOTORPUMPE 0,80KW 230-400V/3/50HZ | | |
| 7 | 18 | 80186 | C.80186 | MUFFE, ABSAUG.PUMPE RIVER | | |
| 8 | 1 | 75175 | | ELEKTROPUMPE 1,1 KW 230/400-240/415 50 422512725 | | |
| 8 | 2 | 335003 | REB335003 | GEBL. 1295/2277 | | |
| 8 | 3 | 80880 | | FLANSCH FUER MOTOPOMPE 4225/2 | | |
| 8 | 4 | 141002 | REB141002 | DICHTUNG, MECH., ROTIER. D 12 | | |
| 8 | 5 | 456023 | | O-Ring FIR 1225-41-95 | | |
| 8 | 6 | 80881 | | LAUFRAD ELEKTROPUMPE (TYP 422512725) | | |
| 8 | 7 | 80882 | | NICHT IN DER PREIS LISTE | | |
| 9 | 1 | 77553 | | MOTORPUMPE 0,80KW 230-400V/3/50HZ | | |
| 9 | 2 | 315011 | REB315011 | FLANSCH, PUMPE LGB T-150/160/170 | | |
| 9 | 3 | 926255 | RAT211 | TENUTA MECCANICA PER EL./POMPA ZF40V | | |
| 9 | 4 | 456031 | REB456031 | O-Ring T30-1297 D.2 | | |
| 9 | 5 | 77520 | | FLUEGELRAD FUER MOTORPUMPE | | |



| Seite | Position | Code | Alter Code | Beschreibung | | |
|-------|----------|--------|------------|------------------------------------------------|--|--|
| 1 | 1 | 927106 | DRT25 | TERMOSTATO 200°C LS1/LIMITE DI SIC. | | |
| 1 | 2 | 929107 | DRT13B | TERMOSTATO BOILER | | |
| 1 | 3 | 75362 | | DECKEL KOMPLETT /600MM | | |
| 1 | 4 | 75376 | | TAPPO RESISTENZE ASCIUG/600MM PG.F | | |
| 1 | 5 | 927132 | DRE2 | ELEMENTO SINGOLO RES.2KW PER ASCIUG.TR. | | |
| 1 | 6 | 75382 | | INOX-ABSAUGANLAGE VB52 2P IP55 V230/400 | | |
| 1 | 7 | 75352 | | PANNELLO ANTERIORE ASCIUG/600MM COMPLETO | | |
| 1 | 8 | 75385 | | GUARNIZIONE (ELASTOLEN X105) 15MM | | |
| 1 | 9 | 929038 | DZP22 | PORTASONDA TERMOSTATO 55 | | |
| 1 | 10 | 75380 | | STEIGBUEGEL | | |
| 1 | 11 | 75121 | | STAB, STÜTZE FÜR VORHANG | | |
| 1 | 12 | 75375 | | TAPPO LATERALE RESI.ASCIUG/600MM LASER | | |
| 1 | 13 | 75120 | | VORHANG, EINTRITT/AUSTRITT | | |
| 1 | 14 | 75367 | | GUIDA CESTELLO ASCIUGATURA 600 PG FINIT | | |
| 1 | 15 | 75354 | | SQUADRA PER FONDOVASCA ASCIUG. LASER | | |
| 1 | 16 | 75351 | | SQUADRA COLLEGAM.ASCIUG.600MM PG FINITO | | |
| 1 | 17 | 75358 | | FACCIATINA INF.INTER ASCIUG.600MM COMPLE | | |
| 1 | 18 | 75769 | | CARRELLO TRAINO ASCIUGATURA COMPLETO | | |
| 1 | 19 | 75477 | | SOSTEGNO GUIDE (PLASTICA) | | |
| 1 | 20 | 75360 | | NIEDRIGE PLATTE F. TROCKENZONE 600 PG - FERTIG | | |
| 1 | 21 | 75340 | | COMPLESSIVO INTER ASCIUG/600MM COMPLETO | | |
| 1 | 22 | 80350 | | KONTAKT, 230-50/60HZ 3RT1016-1AP01 | | |
| 1 | 23 | 927038 | DEP2F | PORTAFUSIBILE TRIPOLARE GK1-DF | | |



| Seite | Position | Code | Alter Code | Beschreibung | | |
|-------|----------|----------|------------|---------------------------------|--|--|
| 1 | 1 | 121993 | | FILTERANORDNUNG | | |
| 1 | 3 | 75810 | | STAFFA DOSATORI TRAINO COMPLETA | | |
| 1 | 4 | 209036 | | KLARSPÜLER | | |
| 1 | 5 | 143266 | | FLASCHEN 5X10 | | |
| 1 | 6 | 209039 | | SPÜLMITTELBEHÄLTER | | |
| 1 | 7 | 143267 | | FLASCHEN 6X10 | | |
| 1 | 8 | H.775601 | | ROHR 4x6 CRISTAL BLAU PVC | | |
| 1 | 9 | SPP4 | | NICHT IN DER PREIS LISTE | | |
| 1 | 10 | 468151 | DZR150NT | TANKEINLAUF CPL NM* | | |