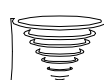
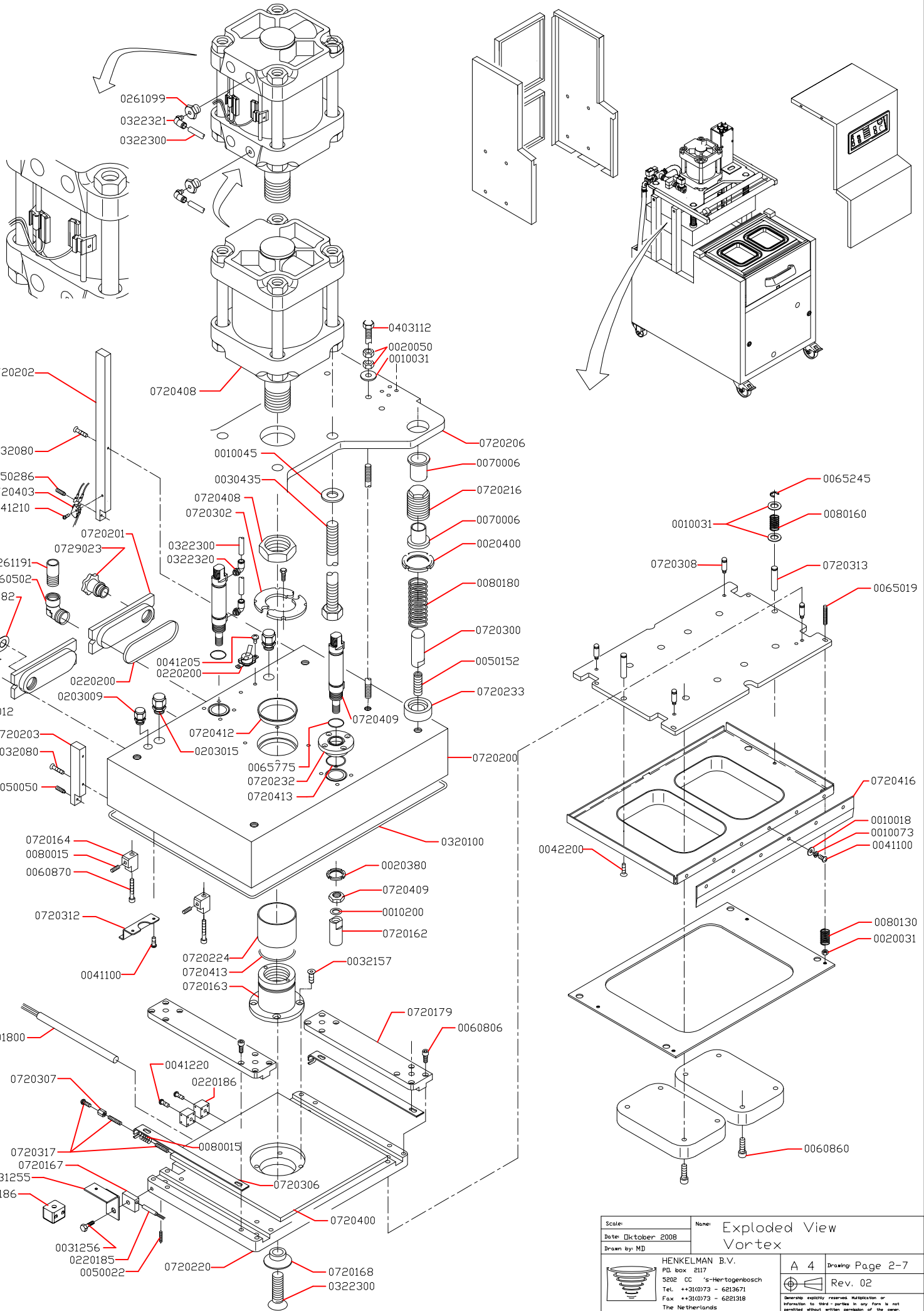
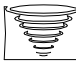
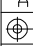
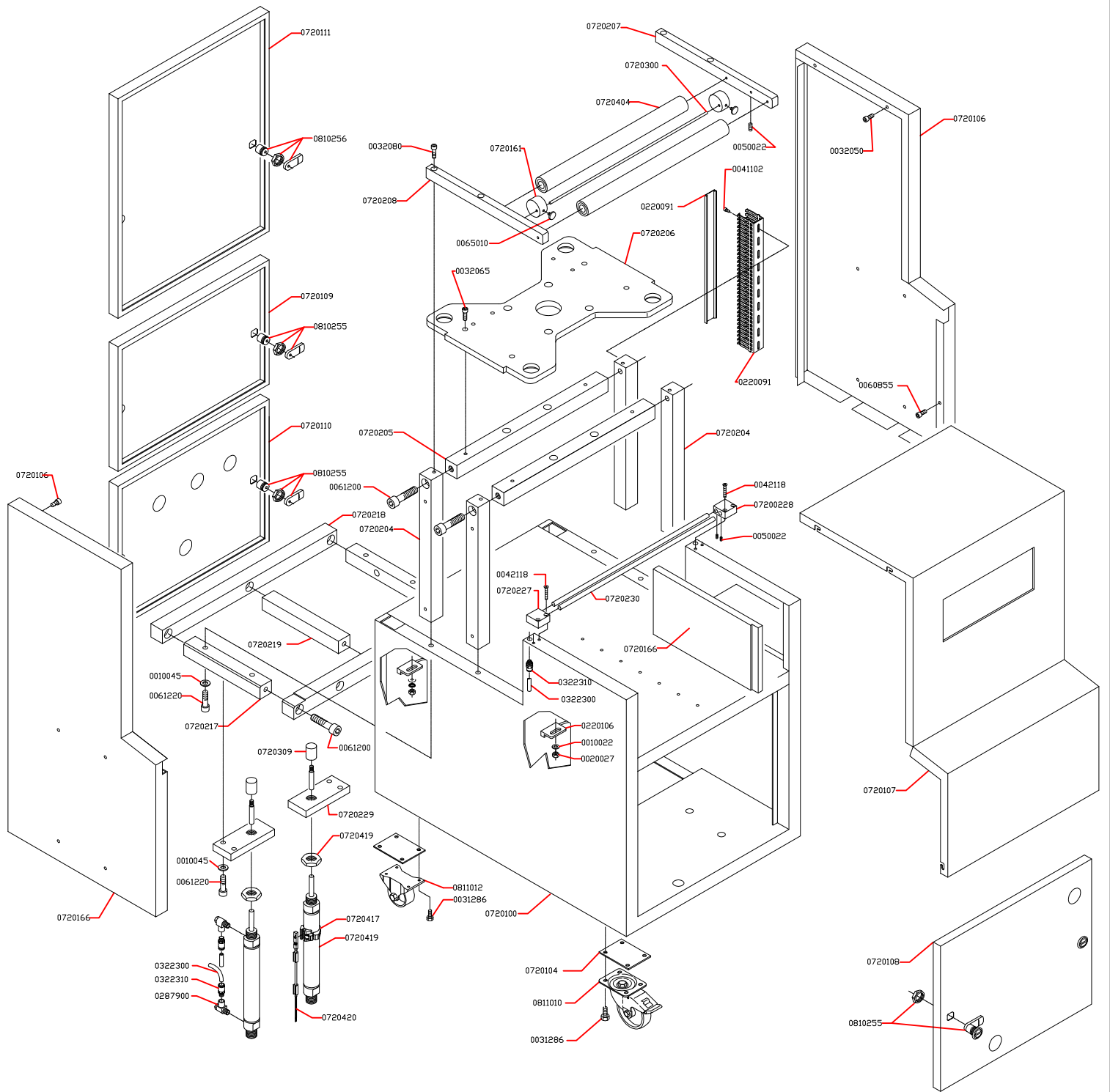
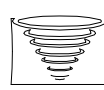
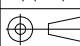


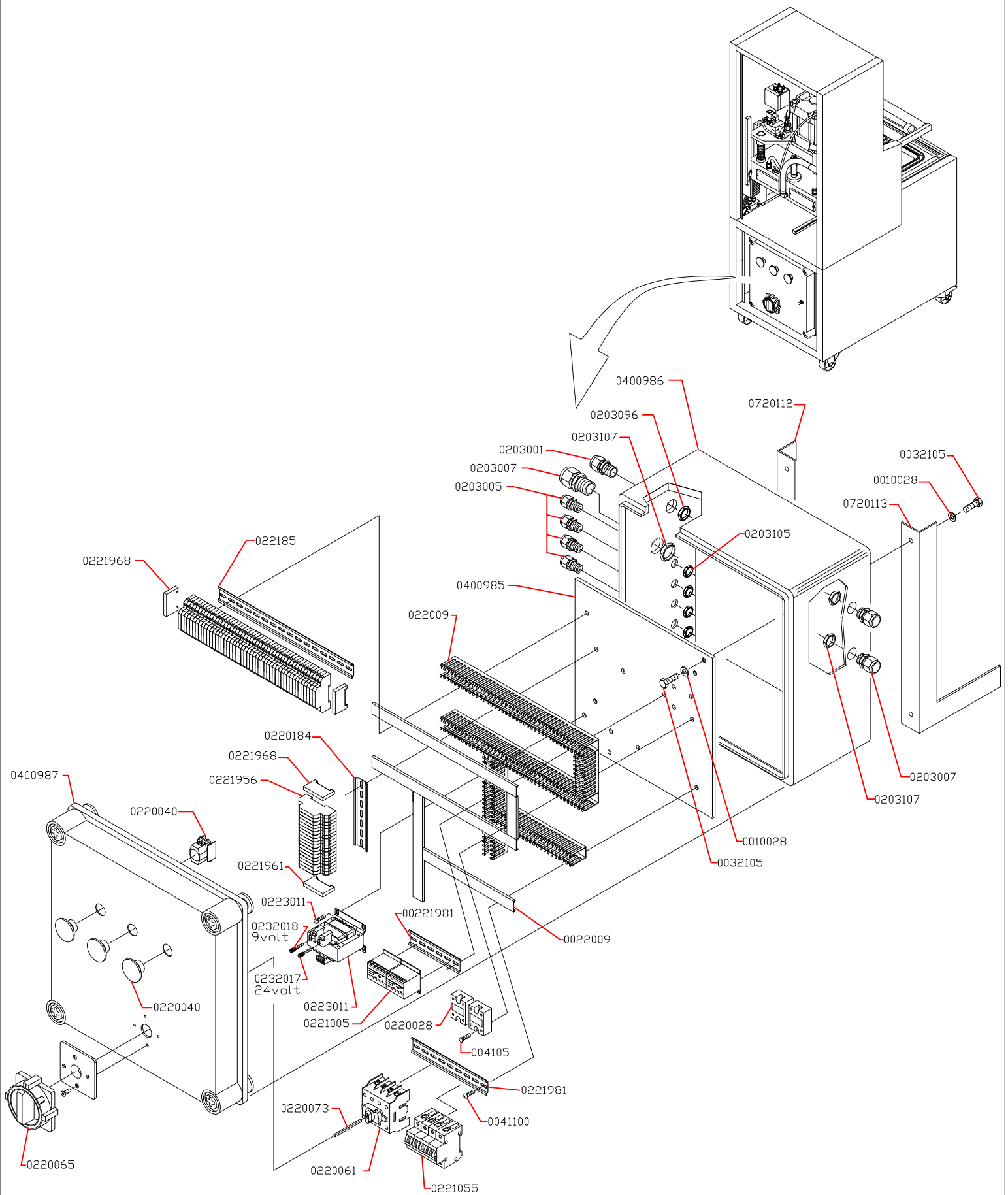
Scale:	Name:	Exploded View Vortex	
Date: Oktober 2008			
Drawn by: MD			
 HENKELMAN B.V. PO box 2117 5202 CC 's-Hertogenbosch Tel. ++31(0)73 - 6213871 Fax ++31(0)73 - 6221318 The Netherlands	A 4	Drawing: Page 1-7	
	Rev. 02		<small>Ownership explicitly reserved. Multiplication or information to third parties in any form is not permitted without written permission of the owner.</small>



Scale:	Name: Exploded View Vortex
Date: Oktober 2008	
Drawn by: MD	
	HENKELMAN B.V. P.O. box 2117 5202 CC 's-Hertogenbosch Tel. ++31(0)73 - 6213671 Fax ++31(0)73 - 6213118 The Netherlands
A 4	Drawing Page 2-7
	Rev. 02
<small>Ownership explicitly reserves Multiplication or information to third parties in any form is not permitted without written permission of the owner.</small>	

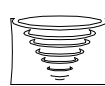


Scale:	Name: Exploded View Vortex
Date: Oktober 2008	
Drawn by: MD	
	HENKELMAN B.V.
	P.O. box 2117
	5202 CC 's-Hertogenbosch
	Tel. ++31(0)73 - 6213671
Fax ++31(0)73 - 6221318	
The Netherlands	
A 4	Drawing: Page 3-7
	Rev. 02
<small>Ownership explicitly reserved. Multiplication or information to third parties in any form is not permitted without written permission of the owner.</small>	



Scale:
 Date: Oktober 2008
 Drawn by: MD

Vortex

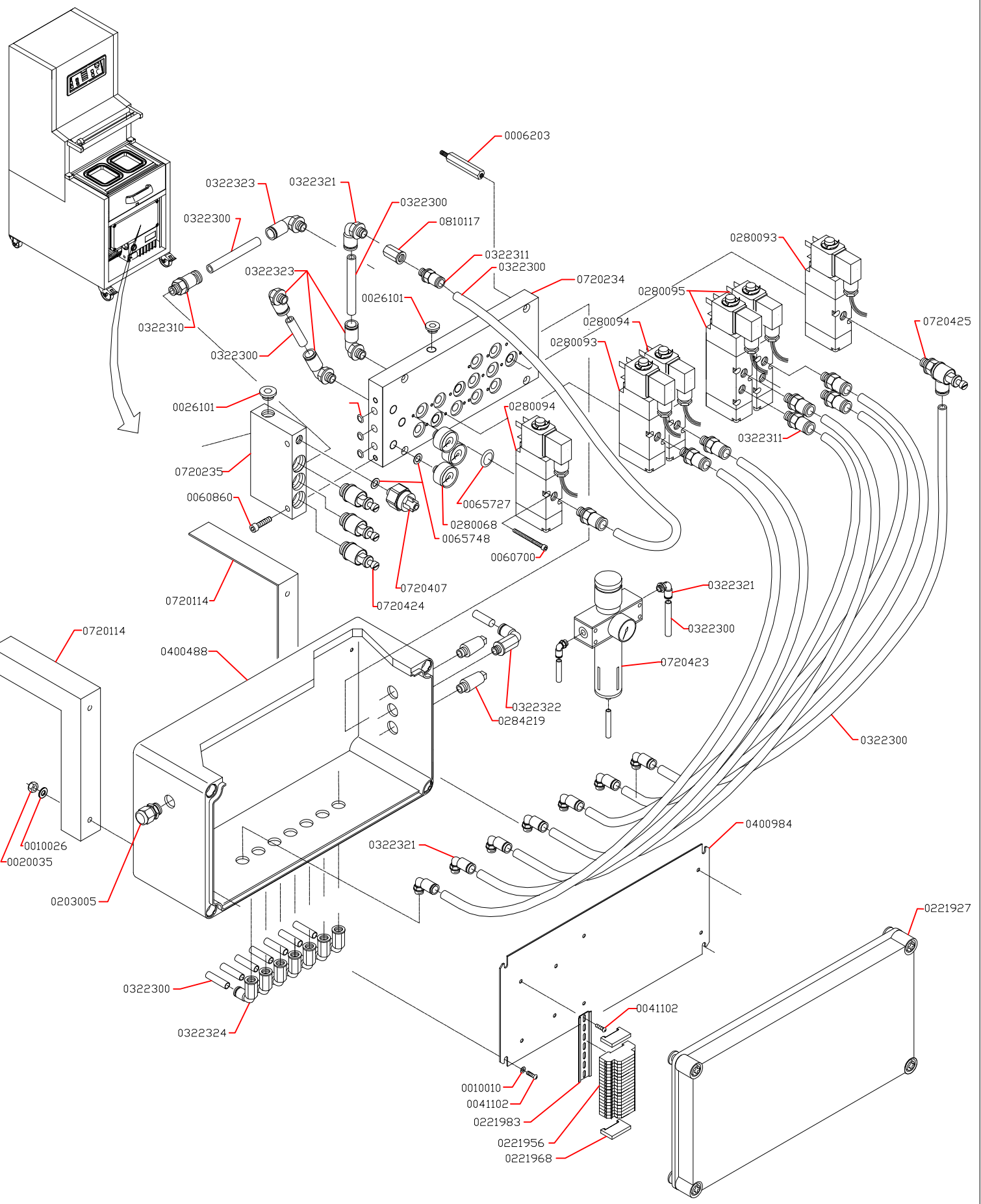


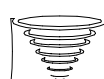
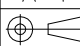
HENKELMAN B.V.
 P.O. box 2117
 5202 CC 's-Hertogenbosch
 Tel. ++31(0)73 - 6213671
 Fax ++31(0)73 - 6221318
 The Netherlands

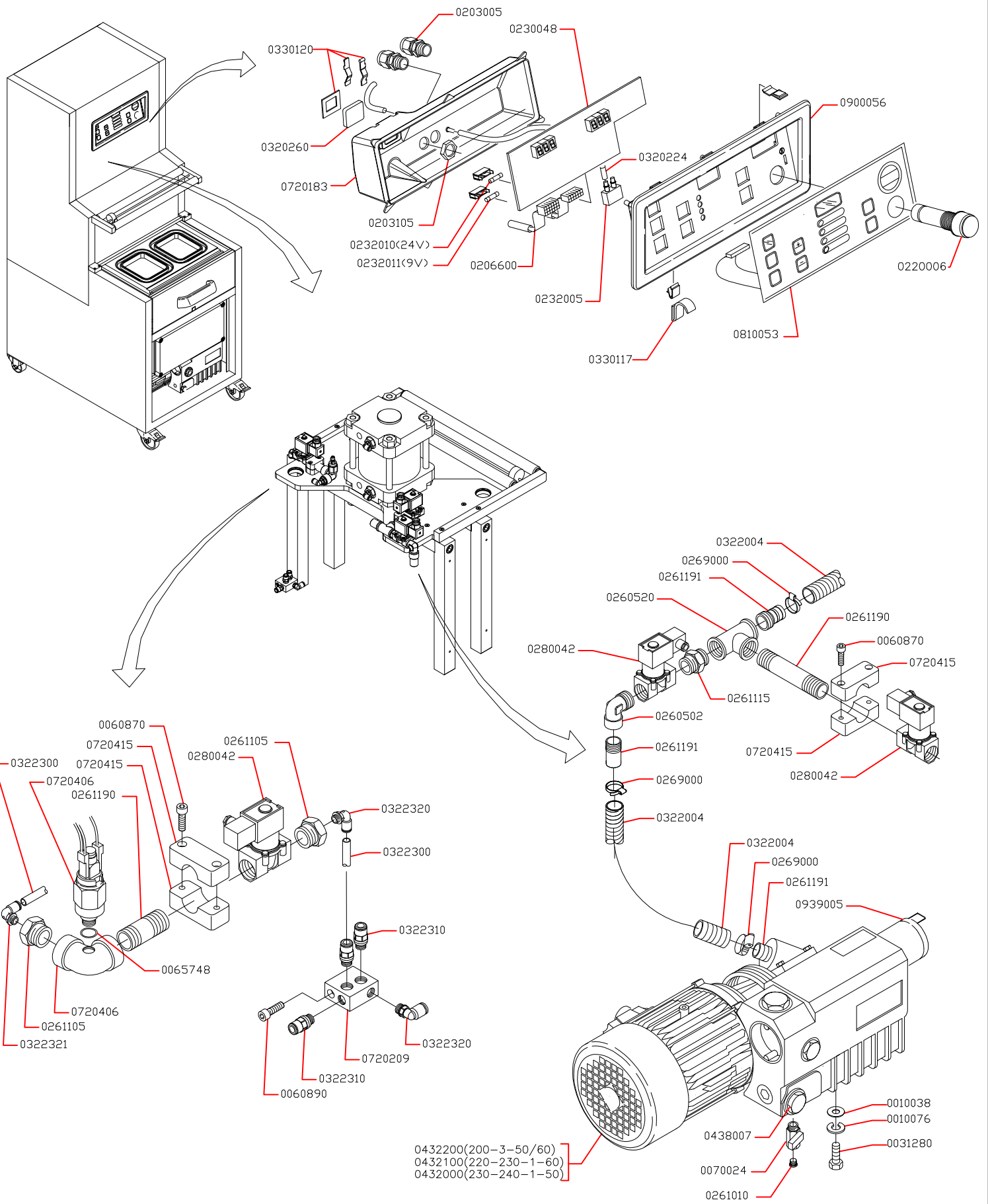
A 4 Drawing: Page 4-7

Rev. 02

Ownership explicitly reserved. Multiplication or information to third parties in any form is not permitted without written permission of the owner.

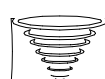


Scale:	Name:
Date: Oktober 2008	Vortex
Drawn by: MD	
	HENKELMAN B.V. P.O. box 2117 5202 CC 's-Hertogenbosch Tel. ++31(0)73 - 6213671 Fax ++31(0)73 - 6221318 The Netherlands
A 4	Drawing: Page 5-7
	Rev. 02
<small>Ownership explicitly reserved. Multiplication or information to third parties in any form is not permitted without written permission of the owner.</small>	



Scale:
 Date: Oktober 2008
 Drawn by: MD

Vortex

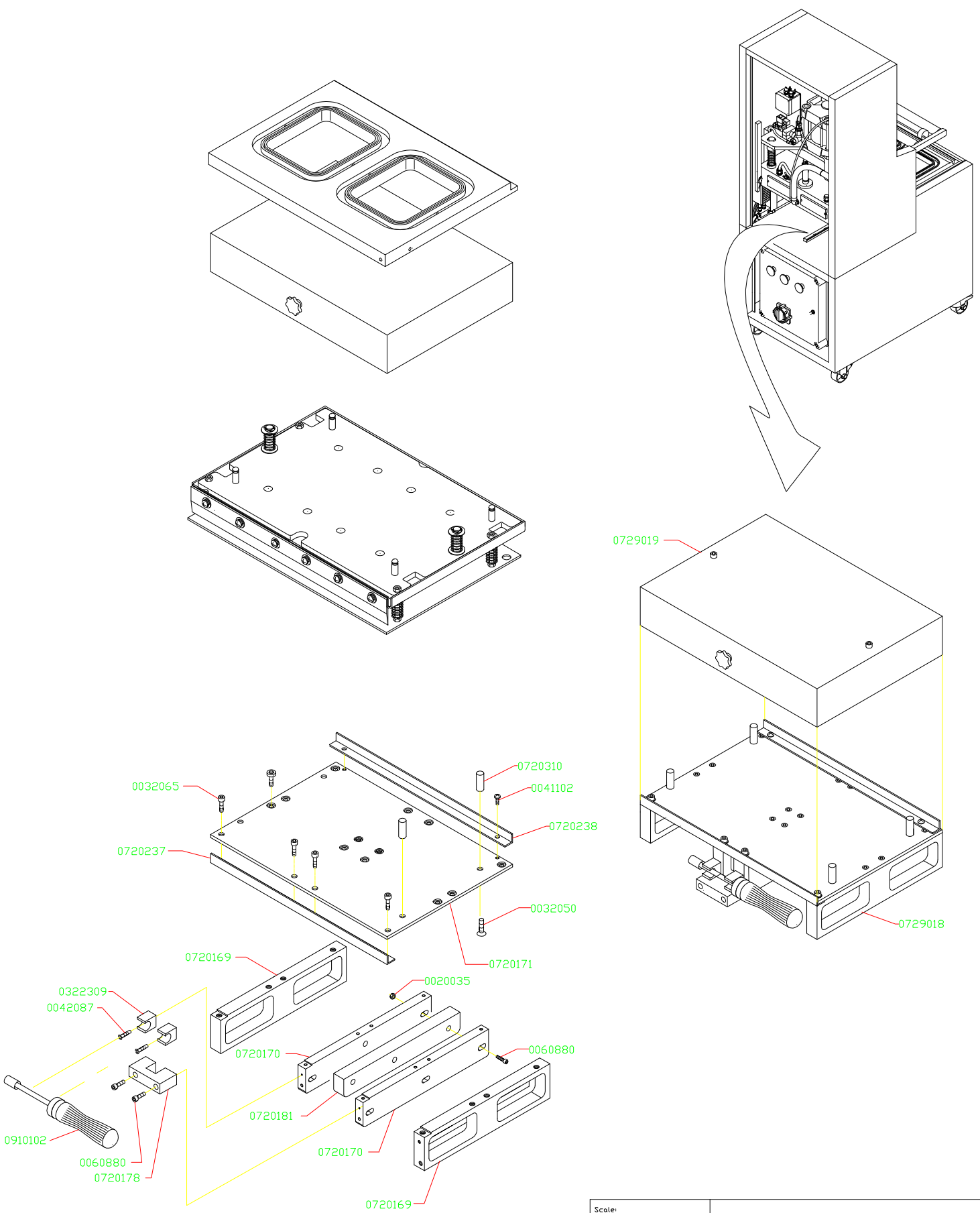


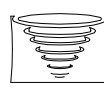
HENKELMAN B.V.
 P.O. box 2117
 5202 CC 's-Hertogenbosch
 Tel. ++31(0)73 - 6213671
 Fax ++31(0)73 - 6221318
 The Netherlands

A 4 Drawing: Page 6-7

Rev. 02

Ownership explicitly reserved. Multiplication or information to third parties in any form is not permitted without written permission of the owner.



Scale:	<h1>Vortex</h1>		A 4 Drawing: Page 7-7 Rev. 02
Date: Oktober 2008			
Drawn by: MD			
 HENKELMAN B.V. P.O. box 2117 5202 CC 's-Hertogenbosch Tel. ++31(0)73 - 6213671 Fax ++31(0)73 - 6221318 The Netherlands		<small>Ownership explicitly reserves multiplication or information to third parties in any form is not permitted without written permission of the owner.</small>	