

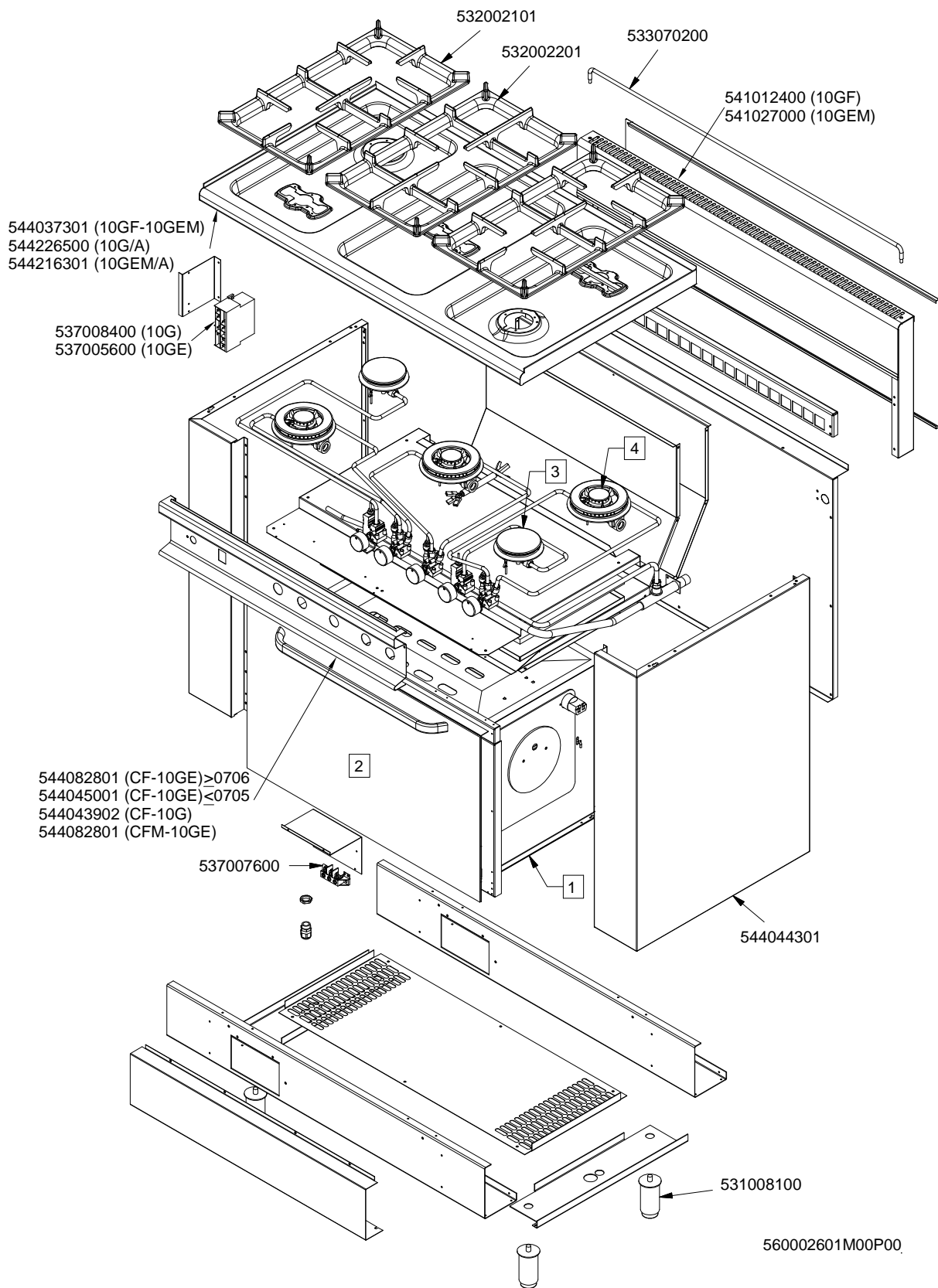
MAGIC SNACK 60

CUCINE / RANGES / HERDE / CUISINIÈRES / N° 20310

CF-10

CF-10GF CF-10G/A CF-10GEM CF-10GEM/A CFM-10GEM CFM-10GEM/A

| | 1CF-10GE | 1CFM-10GE | 1CF-10G | 2 | 3 | 4 |
|---|----------|-----------|---------|-----|-----|-----|
| Vedi Pagina See Page Siehe Seite Voir Page Ver Pàgina | 120 | 122 | 124 | 126 | 133 | 134 |

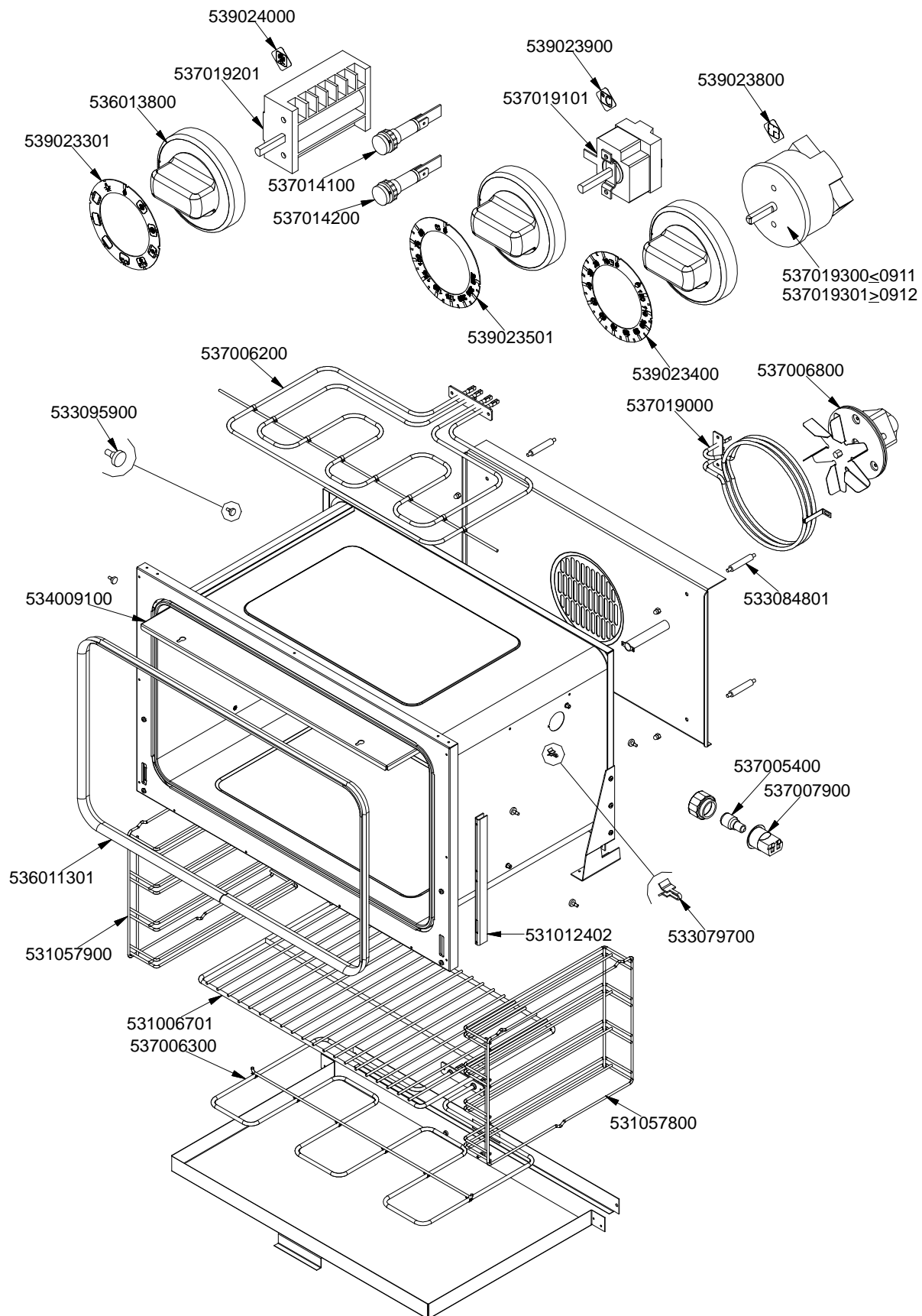


MAGIC SNACK 60

CUCINE / RANGES / HERDE / CUISINIERS / N° ≥0310

FORNO / OVEN / BACKOFEN / FOUR / CF-8 10 10/6

ELETTORICO MULTIFUNZIONE / MULTIFUNCTION ELECTRIC / MULTIFUNKTIONS
ELEKTRO / ELECTRIQUE A FONCTIONS MULTIPLES ≥0706



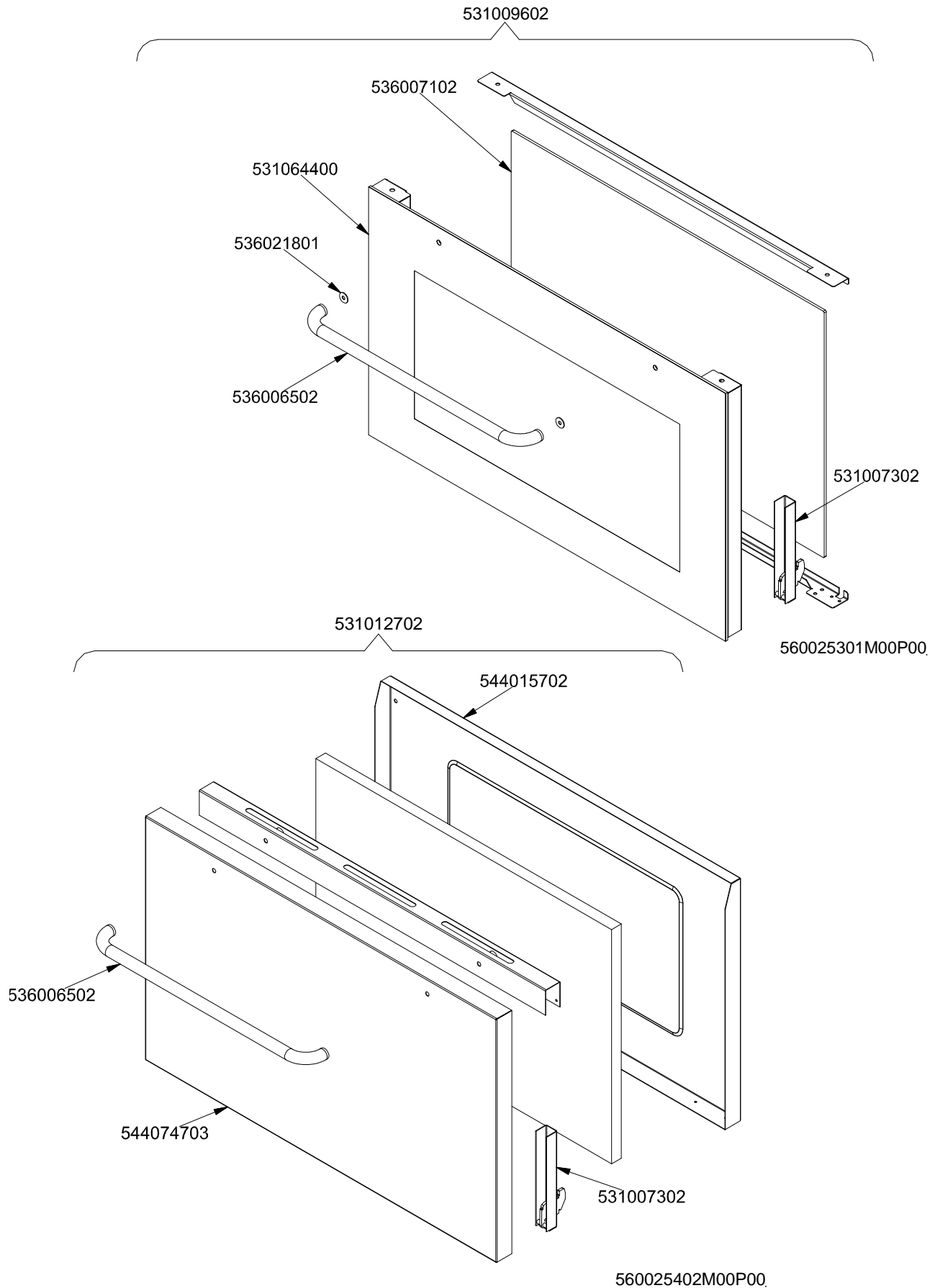
560003802M00P00.

MAGIC SNACK 60

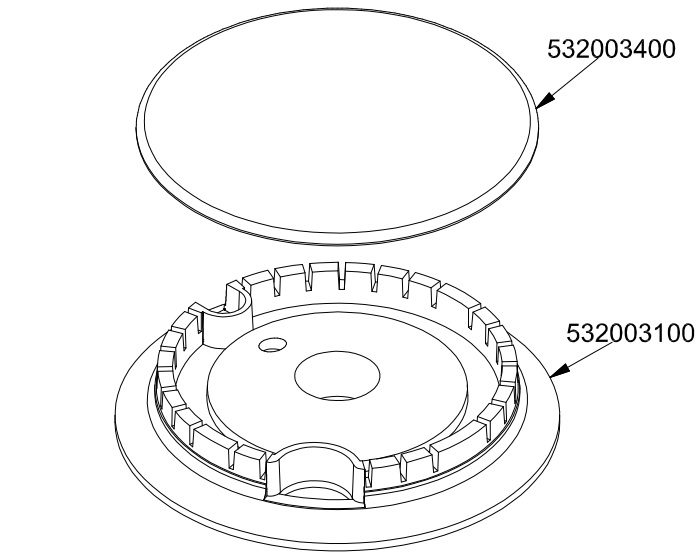
CUCINE / RANGES / HERDE / CUISINIÈRES / N° ≥ 0310

FORNO / OVEN / BACKOFEN / FOUR / CF-8 10 10/6

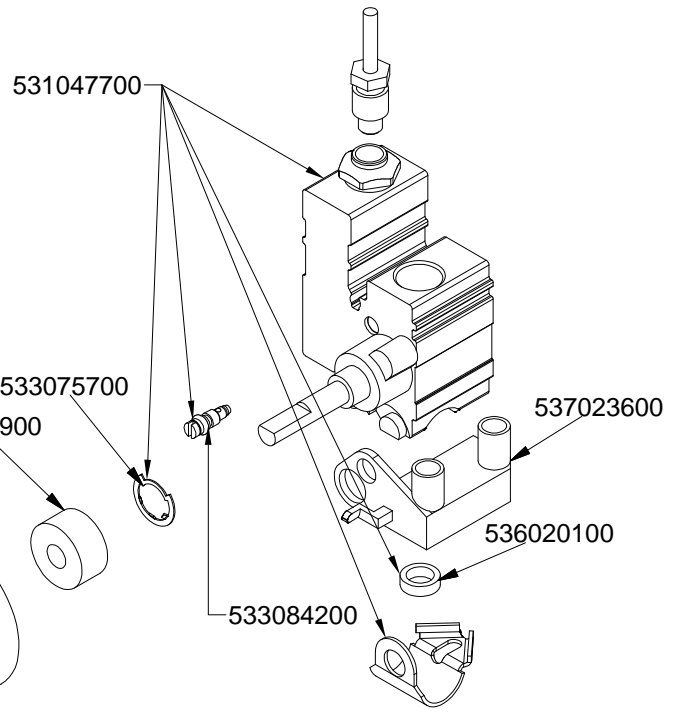
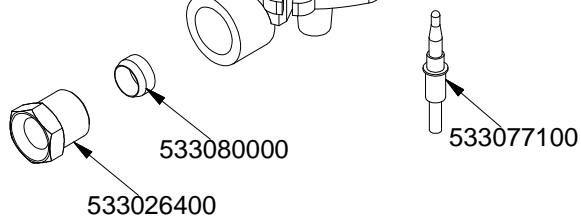
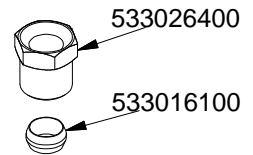
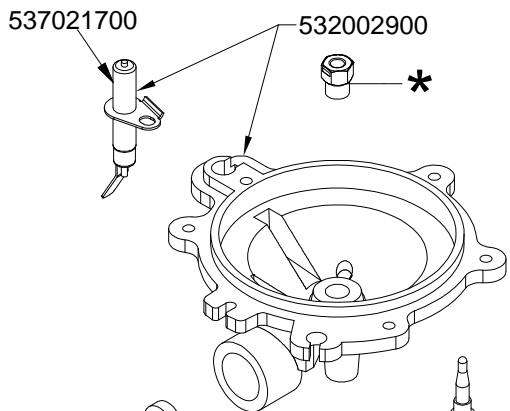
PORTE / DOORS / TÜREN / PORTES ≥ 0706



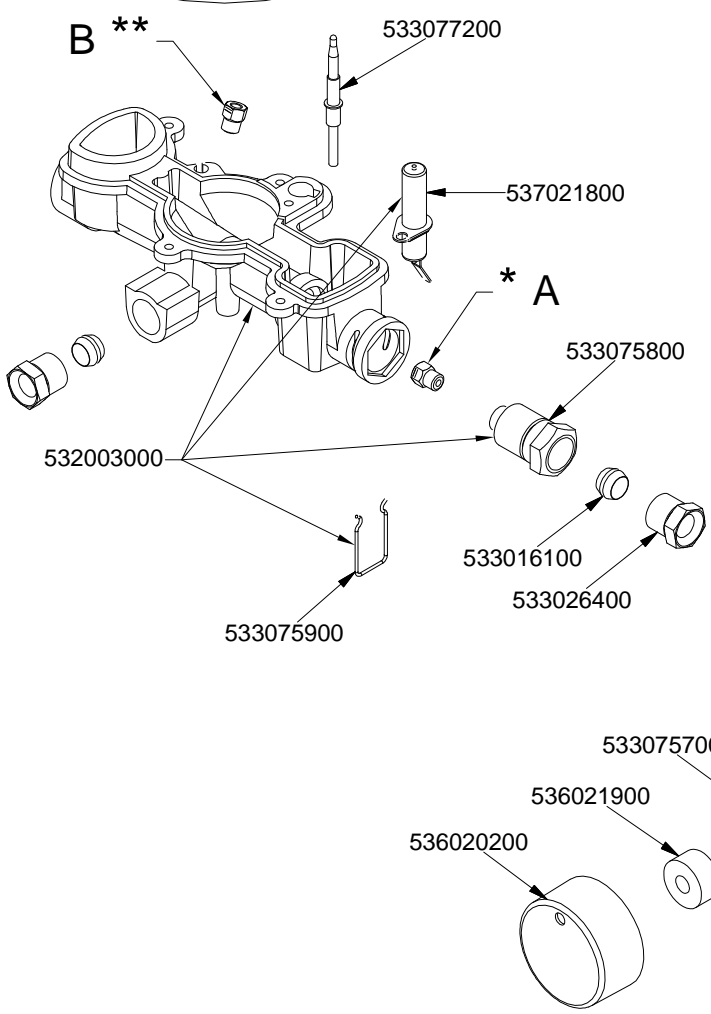
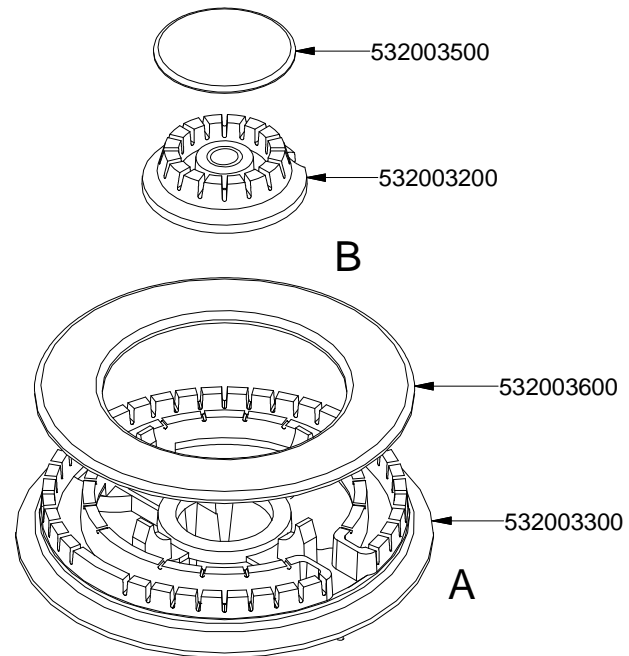
PC-G R N



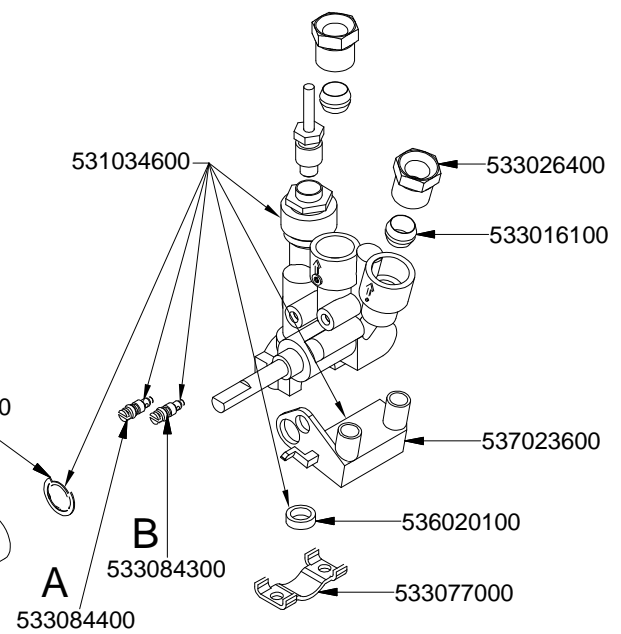
| | * |
|------------------------------|-----------|
| G30-28+30mbar G31- 37mbar | 533080600 |
| G30- 50mbar | 533083700 |
| G20- 20mbar G25- 25mbar | 533080700 |
| G20- 20mbar DE-AT | 533080700 |
| G25- 20mbar | 533080800 |
| G25- 25mbar NL | 533080900 |
| G20- 25mbar | |



PC-G WOK



| | * | ** |
|------------------------------|-----------|-----------|
| G30-28+30mbar G31- 37mbar | 533081000 | 533082200 |
| G30- 50mbar | 533082300 | 533083000 |
| G20- 20mbar G25- 25mbar | 533081200 | 533081100 |
| G20- DE-AT | 533081200 | 533081100 |
| G25- 20mbar | 533081400 | 533081300 |
| G25- NL | 533081500 | 533081300 |



560025101M00P00

| Page | Pos | Code | Description |
|------|-----|-----------|-------------------------------------|
| 001 | | 532002101 | GRILL 2 BURNERS 292X507 (60) |
| 001 | | 533070200 | |
| 001 | | 532002201 | 1 FLAME GRILL 292X507 (60) |
| 001 | | 544216301 | UPPER PLATE CF-10GE/A (NEW MOD.) |
| 001 | | 537008400 | IGNITION UNIT 8 FLAMES V230 |
| 001 | | 537005600 | 6 FLAME IGNITION CONTROL BOX V230 |
| 001 | | 544082801 | CONTROL PANEL FOR RANGE CFM-10GEM |
| 001 | | 544045001 | CONTROL PANEL CF-10GE |
| 001 | | 544044301 | SIDE NEW CF-10 |
| 001 | | 531008100 | ADJUSTABLE LEG H9 CHROME |
| 001 | | 537007600 | TERMINAL BLOCK SINGLEPHASE 40A |
| 002 | | 539024000 | SIGN PLATE FOR OVEN SELECTOR |
| 002 | | 537019201 | OVEN COMMUTATOR MULTIF.60+65 |
| 002 | | 536013800 | KNOB D.70 BLACK 6*5 WITH SPRING |
| 002 | | 539023301 | ADHESIVE GRADUATED*EL.MULTIF.COMM. |
| 002 | | 537014100 | WHITE WARNING LIGHT 250V |
| 002 | | 537014200 | GREEN WARNING LIGHT 250V |
| 002 | | 539023900 | SIGN PLATE FOR OVEN TEMPERATURE |
| 002 | | 537019101 | THERMOSTAT MONOPHAS.050-320°C F.MF |
| 002 | | 539023800 | SIGN PLATE FOR OVEN TIMER |
| 002 | | 539023501 | ADHESIVE GRAD.DISC *E.MULTIF.TERM. |
| 002 | | 537019300 | TIMER FOR MULTIFUNCTION OVEN |
| 002 | | 537019301 | |
| 002 | | 537006200 | UPPER OVEN HEATING EL.1000+2000W |
| 002 | | 533095900 | PIN FOR GRIDSHOLDER SUPPORT CF 60 |
| 002 | | 539023400 | ADHESIVE GRADUATED DISC F.KNOB |
| 002 | | 537019000 | CIRCULAR HEATING ELEMENT FOR OVEN |
| 002 | | 537006800 | FAN 240V CF-62 |
| 002 | | 533084801 | PANEL SPACER OF AIR DIFF.MAXI OVEN |
| 002 | | 534009100 | GRILL PROTECTION CF-8/10 |
| 002 | | 537005400 | OVEN BULB 15W 300°C |
| 002 | | 537007900 | OVEN BULB-SOCKET |
| 002 | | 536011301 | OVEN GASKET CF-8/10 *FE* |
| 002 | | 531057900 | LHD GRIDS HOLDER FOR MAXI-OVEN |
| 002 | | 531006701 | MAXI OVEN GRID FOR S60/65 |
| 002 | | 537006300 | LOWER OVEN HEATING EL.W1750 230CF8/ |
| 002 | | 531012402 | DOOR WHEEL HOLDER FOR MAXI OVEN |
| 002 | | 533079700 | LOCK SPRING FOR BULB §3/§4 |
| 002 | | 531057800 | RHD GRIDS HOLDER FOR MAXI-OVEN |
| 003 | | 536007102 | |
| 003 | | 531064400 | EXTERNAL GLASS MAXI OVEN DOOR+FRAME |
| 003 | | 536021801 | DOOR HANDLE SPACER FOR MAXI OVEN |
| 003 | | 536006502 | OVEN DOOR HANDLE 60LINE AL. |
| 003 | | 531007302 | DOOR HINGE FOR MAXI OVEN 60.LINE |
| 003 | | 531012702 | STAINLESS STEEL OVEN DOOR 60 LINE |
| 003 | | 544015702 | INNER-DOOR FOR MAXI OVEN OF 60LINE |
| 003 | | 544074703 | S/S MAXI OVEN DOOR PANEL |
| 004 | | 532003400 | QUICK BURNER COVER |
| 004 | | 532003100 | QUICK BURNER RING 640 |
| 004 | | 537021700 | PLUG IGNITION FOR QUICK BURNER |
| 004 | | 532002900 | QUICK BURNER BODY 740 |

| Page | Pos | Code | Description |
|------|-----|-----------|-------------------------------------|
| 004 | | 533026400 | ELBOW FOR BICONE D.8 M13X1 |
| 004 | | 533016100 | BICONE D.8 |
| 004 | | 531047700 | TAP WITH VALVE 699 BY PASS § 40 |
| 004 | | 533077100 | THERMOCOUPLE 600 M8*1 QUICK BURNER |
| 004 | | 533080000 | BICONE § 8 |
| 004 | | 533075700 | |
| 004 | | 536021900 | MAN.EXTENSION MICRO DRIVING TAP 60 |
| 004 | | 536002501 | COCK KNOB SNACK PC |
| 004 | | 537023600 | MICRO-SWITCH FOR COCK 250V 0,0054 |
| 004 | | 536020100 | TAP GASKET 699 |
| 004 | | 533084200 | BY PASS COCK §40 699 |
| 004 | | 533080600 | NOZZLE §88 CH7*9,3 G30-30 R |
| 004 | | 533083700 | NOZZLE §80 CH7*22 G30-50 R |
| 004 | | 533080700 | NOZZLE §134 CH7*9,3 G20-20 R |
| 004 | | 533080800 | NOZZLE §143 CH7*9,3 G25-20 R |
| 004 | | 533080900 | NOZZLE §134A CH7*9,3 G25-25NL R |
| 005 | | 532003500 | CENTRAL BURNER COVER WOK |
| 005 | | 532003200 | CENTRAL BURNER RING WOK 647 |
| 005 | | 532003600 | EXTERNAL BURNER COVER WOK |
| 005 | | 532003300 | EXTERNAL BURNER RING WOK |
| 005 | | 533077200 | THERMOCOUPLE 600 M8*1 QUICK BURNER |
| 005 | | 537021800 | PLUG IGNITION FOR WOK-BURNER |
| 005 | | 533075800 | FITTING FOR NOZZLE-SUPPORT M12X1,25 |
| 005 | | 532003000 | BURNER BODY WOK 743 |
| 005 | | 533016100 | BICONE D.8 |
| 005 | | 533026400 | ELBOW FOR BICONE D.8 M13X1 |
| 005 | | 533075900 | |
| 005 | | 531034600 | TAP WITH VALVE 2OUT009 BYPASS 32/57 |
| 005 | | 533075700 | |
| 005 | | 537023600 | MICRO-SWITCH FOR COCK 250V 0,0054 |
| 005 | | 536021900 | MAN.EXTENSION MICRO DRIVING TAP 60 |
| 005 | | 536020200 | COCK KNOB SNACK 2. PC |
| 005 | | 536020100 | TAP GASKET 699 |
| 005 | | 533084300 | BY PASS COCK §32 009 |
| 005 | | 533077000 | TAP BRIDLE 2 OUT 009 |
| 005 | | 533084400 | BY PASS COCK §57 009 |
| 005 | | 533081000 | NOZZLE §84 CH7*9,3 G30-30 W EST. |
| 005 | | 533082200 | NOZZLE §51 CH7*11 G30-30 W INT. |
| 005 | | 533082300 | NOZZLE §76 CH7*11 G30-50 W.EXT. |
| 005 | | 533083000 | NOZZLE §51 CH7*20 G30-50 W INT. |
| 005 | | 533081200 | NOZZLE §130 CH7*9,3 G20-20 W EST. |
| 005 | | 533081100 | NOZZLE §80 CH7*9,3 G20-20 W INT. |
| 005 | | 533081400 | NOZZLE §142 CH7*9,3 G25-20 W EST. |
| 005 | | 533081300 | NOZZLE §125 G20 |
| 005 | | 533081500 | NOZZLE §135 CH7*9,3 G25-25NL W EST. |