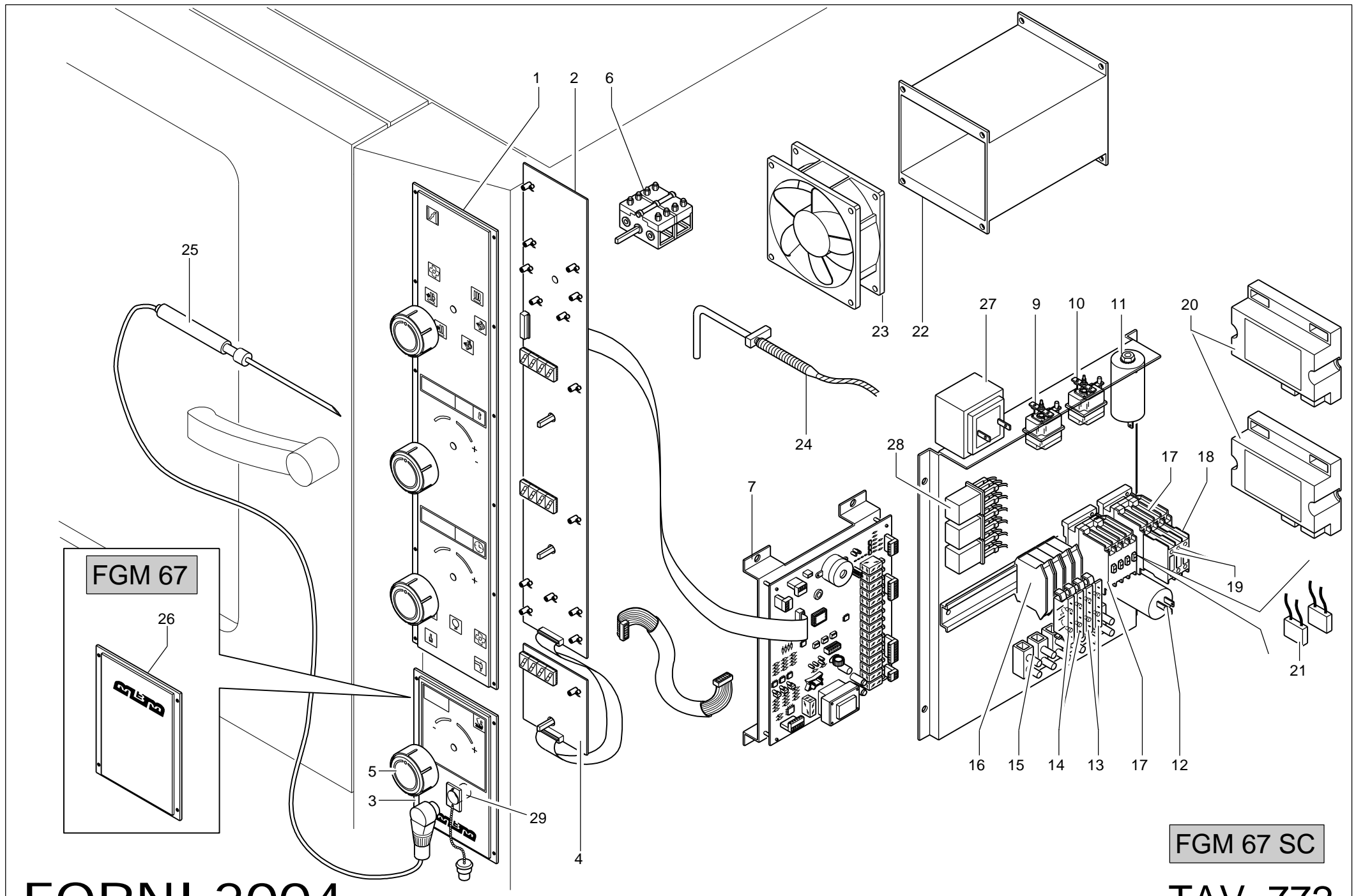


**FORNI 2004**

**FGM 67**  
**FGM 67 SC**  
**TAV. 769**

| TAVOLA         | POS. | CODICE     | ITALIANO                      | FRANCESE                                 | INGLESE                       | TEDESCO                        |
|----------------|------|------------|-------------------------------|--|-------------------------------|--------------------------------|
| FORNI TAV. 769 | 1    | GAFOC00030 | AS.CERN.SUP.SX P.F.           | CHARNIÈRE SUPÉRIEURE GAUCHE              | INGE PIN SUPER.LEFT           | TÜRANGEL OBEN LINKS            |
| FORNI TAV. 769 | 1-1  | GAFOC00213 | AS.CERN.SUP.DX P.F.           | CHARNIÈRE SUPÉRIEURE DROITE              | INGE PIN SUP. RIGHT           | TÜRANGEL RECHTS                |
| FORNI TAV. 769 | 2    | 161168     | GR. VETRO INT. SX/DX          | GROUPR VERRE INTERIEUR GAUCHE/DROITE     | INNER UNIT GLASS LEFT/RIGHT   | GRUPPE INNENGLAS RECHTS/LINKE  |
| FORNI TAV. 769 | 3    | 161158     | AS. PORTA FORNO SX            | PORTE DU FOUR GAUCHE                     | OVEN DOOR LEFT                | OFENTÜR LINKS                  |
| FORNI TAV. 769 | 3-1  | 161619     | AS. PORTA FORNO DX            | PORTE DU FOUR DROITE                     | OVEN DOOR RIGHT               | OFENTÜR RECHTS                 |
| FORNI TAV. 769 | 4    | 161171     | VETRO ESTERNO SX/DX           | VERRE CHAUFFE                            | GLASS CHAMBER                 | GLAS KAMMER                    |
| FORNI TAV. 769 | 5    | RTFOC00057 | ZOCCOLO CENTRALE              | GODET CENTRAL                            | CENTRAL BASE                  | SOCKEL CENTRAL                 |
| FORNI TAV. 769 | 6    | 161387     | CERN.INF.P.F.SX               | CHARNIÈRE INFÉRIEUR GAUCHE PORTE DU FOUR | INGE PIN INFER.LEFT           | TÜRANGEL UNTENLINKS            |
| FORNI TAV. 769 | 6-1  | PAFOC00583 | CERN.INF.P.F.DX               | CHARNIÈRE INFÉRIEUR DROITE PORTE DU FOUR | INGE PIN INF. RIGHT           | TÜRANGEL INF. RECHTS           |
| FORNI TAV. 769 | (7)  | 160912     | MANIGLIA P.F.                 | POIGNÉE                                  | HANDLE                        | HANDGRIFF                      |
| FORNI TAV. 769 | (8)  | RTFOC00338 | ANELLO EST.MAN.P.F.           | ANNEAU EXT. POIGNÉE PORTE DU FOUR        | OUTWARD RING OVEN DOOR HANDLE | HANDGRIFF                      |
| FORNI TAV. 769 | (9)  | 160911     | BASSETTA MANIGLIA             | EPAISSEUR POIGNÉE                        | HANDLE                        | HANDGRIFF                      |
| FORNI TAV. 769 | (10) | RTFOC00337 | ANELLO INT.GRADINO MAN.P.F.   | ANNEAU INTERIEUR EPAISSEUR               | INNER RING                    | INNENRING                      |
| FORNI TAV. 769 | 11   | 161176     | CASSETTO SX INT. P.F.         | GROUPE BASSIN GAUCHE                     | UNIT DRAWER LEFT              | GRUPPE SCHUBLADE LINKE         |
| FORNI TAV. 769 | 11-1 | 161566     | CASSETTO DX INT. P.F.         | GROUPE BASSIN DROITE                     | UNIT DRAWER RIGHT             | GRUPPE SCHUBLADE RECHTS        |
| FORNI TAV. 769 | 12   | 161135     | AS.CASSETTO SX                | BASSIN GAUCHE                            | TRAY LEFT                     | SCHUBLADE LINKS                |
| FORNI TAV. 769 | 12-1 | 161574     | AS.CASSETTO DX                | BASSIN DROITE                            | TRAY RIGHT                    | SCHUBLADE RECHTS               |
| FORNI TAV. 769 | 13   | RTFOC00413 | PIEDINO+T.OTTAG.              | PIED                                     | FOOT                          | FUSS                           |
| FORNI TAV. 769 | (14) | RTFOC00711 | MICROINT. UNIPOL.             | MICRO-INTERRUPTEUR PORTE DU FOUR         | MICRO OVEN DOOR               | MIKRO OFENTÜR                  |
| FORNI TAV. 769 | 15   | 164770     | AS.CRUSCOTTO                  | PANNEAU DE CONTRÔLE                      | CONTROL PANEL                 | STIRNBRETT                     |
| FORNI TAV. 769 | 16   | PAFOC00540 | FIANCO DX                     | CÔTÉ DROITE                              | RIGHT SIDE                    | RECHTE SEITE                   |
| FORNI TAV. 769 | 17   | PAFOC00612 | POSTERIORE INOX               | PANNEAU POSTERIEUR                       | BACK PANEL                    | HINTEN                         |
| FORNI TAV. 769 | 18   | 161202     | AS.COPERCHIO                  | COUVERCLE                                | COVER                         | BECKENABDECKUNG                |
| FORNI TAV. 769 | 19   | PAFOC00493 | FIANCO SX                     | CÔTÉ GAUCHE                              | LEFT SIDE                     | LINKE SEITE                    |
| FORNI TAV. 769 | 20   | 161152     | AS. GHIERA BLOCCO VETRO       | GROUPE BAGUE BLOCAGE VERRE               | UNIT LUCKING GLASS NUT        | GRUPPE GEFESTIGUNGSMUTTER GLAS |
| FORNI TAV. 769 | 21   | GAFOC00027 | AS.C/FORO CASS.               | COUVRE TROU                              | PLUG                          | LOCHABDECKUNGSPFROPFEN         |
| FORNI TAV. 769 | 22   | RTFOC00555 | AT.GRIGLIA LAT.F.             | ATTAQUE GRILLE LATÉRALE                  | GRILL CONNECTION SIDE         | GRILLAUFPLATTE SEITE           |
| FORNI TAV. 769 | 23   | RTFOC00201 | *VETRO P/LAMPADA              | VERRE DU PORTELAMPE                      | GLASS P/LAMP                  | GLAS P/LAMPE                   |
| FORNI TAV. 769 | 24   | 161283     | GUARNIZIONE P/LAMPADA         | GARNITURE DU PORTELAMPE                  | GASKET P/LAMP                 | DICHTUNG P/LAMPE               |
| FORNI TAV. 769 | 25   | RTFOC00382 | *CORNICI FIS.VETRO P/LAMP.    | CADRE DU PORTELAMPE                      | MOULDING P/LAMP               | UMRAHMUNG P/LAMPE              |
| FORNI TAV. 769 | (26) | 161282     | LAMPADA                       | LAMPE                                    | LAMP                          | LAMPE                          |
| FORNI TAV. 769 | 27   | 161281     | PORTA LAMPADA                 | PORTELAMPE                               | DOOR LAMP                     | PORTA LAMPE                    |
| FORNI TAV. 769 | 28   | PAFOC00680 | DISCO INF.SCARICO COND.       | DISQUE INFÉRIEUR DÉCHARGÉ                | DISC INFER. OUTLET            | SCHEIBE UNTEN AUSGANG          |
| FORNI TAV. 769 | 29   | 161660     | MANOP.COND.FCV.               | BOUTON                                   | KNOB                          | DREHGRIFF                      |
| FORNI TAV. 769 | 30   | RTFOC00507 | ASTA ANT.SCA.COND.            | BARRE ANTÉRIEUR                          | ROD ANTERIOUR                 | STAB VORNE                     |
| FORNI TAV. 769 | 31   | RTFOC00476 | ASTA TRAS.SCA.COND.           | BARRE TRANSVERSAL                        | ROD TRANSVERS.                | STAB                           |
| FORNI TAV. 769 | 32   | RTFOC00009 | GANCIO                        | CROCHET                                  | HOOK                          | HAKEN                          |
| FORNI TAV. 769 | 33   | RTFOC00005 | ZOCCOLO ESTERNO               | GODET EXTÉRIEUR                          | OUTWARD BASE                  | SOCKEL AUSSEN                  |
| FORNI TAV. 769 | (34) | GAFOC00005 | SERRATURA                     | SERRURE                                  | LOCK                          | SCHLOSS                        |
| FORNI TAV. 769 | 35   | 161513     | MOLLÀ FERMO GHIERA            | RESSORT DE LA SERRURE DU VIROLE          | FERRULE LOCK SPRING           | FEDER DES MUTTER-SCHLOSSES     |
| FORNI TAV. 769 | 36   | RTMIN00114 | DADO CECO M6                  | ECROU                                    | NUT                           | MUTTER                         |
| FORNI TAV. 769 | 37   | 161150     | AS. PROTEZ. SERRATURA P.F. SX | GROUPE PROTECTION SERRURE GAUCHE         | UNIT LEFT LOCK PROTECTION     | GRUPPE SHUTZSCHLOSS LINKE      |
| FORNI TAV. 769 | 37-1 | 161580     | AS. PROTEZ.SERRATURA P.F. DX  | GROUPE PROTECTION SERRURE DROITE         | UNIT RIGHT LOCK PROTECTION    | GRUPPE SHUTZSCHLOSS RECHT      |
| FORNI TAV. 769 | 38   | 161411     | GUARNIZIONE CRUSCOTTO         | GARNITURE PANNEAU DE CONTRÔLE            | CONTROL PANEL GASKET          | DICHTUNGSTIRNBRETT             |
| FORNI TAV. 769 | (39) | RTFOC00721 | GUARNIZIONE FACCIATA          | GARNITURE DEVANTURE                      | GASKET FACE                   | DICHTUNG OFENVORDERWAND        |
| FORNI TAV. 769 | 40   | 161477     | GOMMINO PORTA FORNO           | BOUCHON DE LA PORTE                      | DOOR RUBBER CAP               | TÜR GUMMI                      |
| FORNI TAV. 769 | 41   | AFC0000830 | CAMINO ANTIVENTO              | CHEMINÉE ANTIVENT                        | CHIMNEY                       | KAMIN WINDSCHUTZ               |
| FORNI TAV. 769 | 42   | RTFOC00514 | DISTANZ.INF/SUP SERR.FGC060/1 | ENTRTOISE                                | SPACER                        | DISTANZSTÜCK                   |
| FORNI TAV. 769 | 43   | RTFOC00515 | DISTANZ.CENT.SERR.FGC060/1    | ENTRTOISE                                | SPACER                        | DISTANZSTÜCK                   |

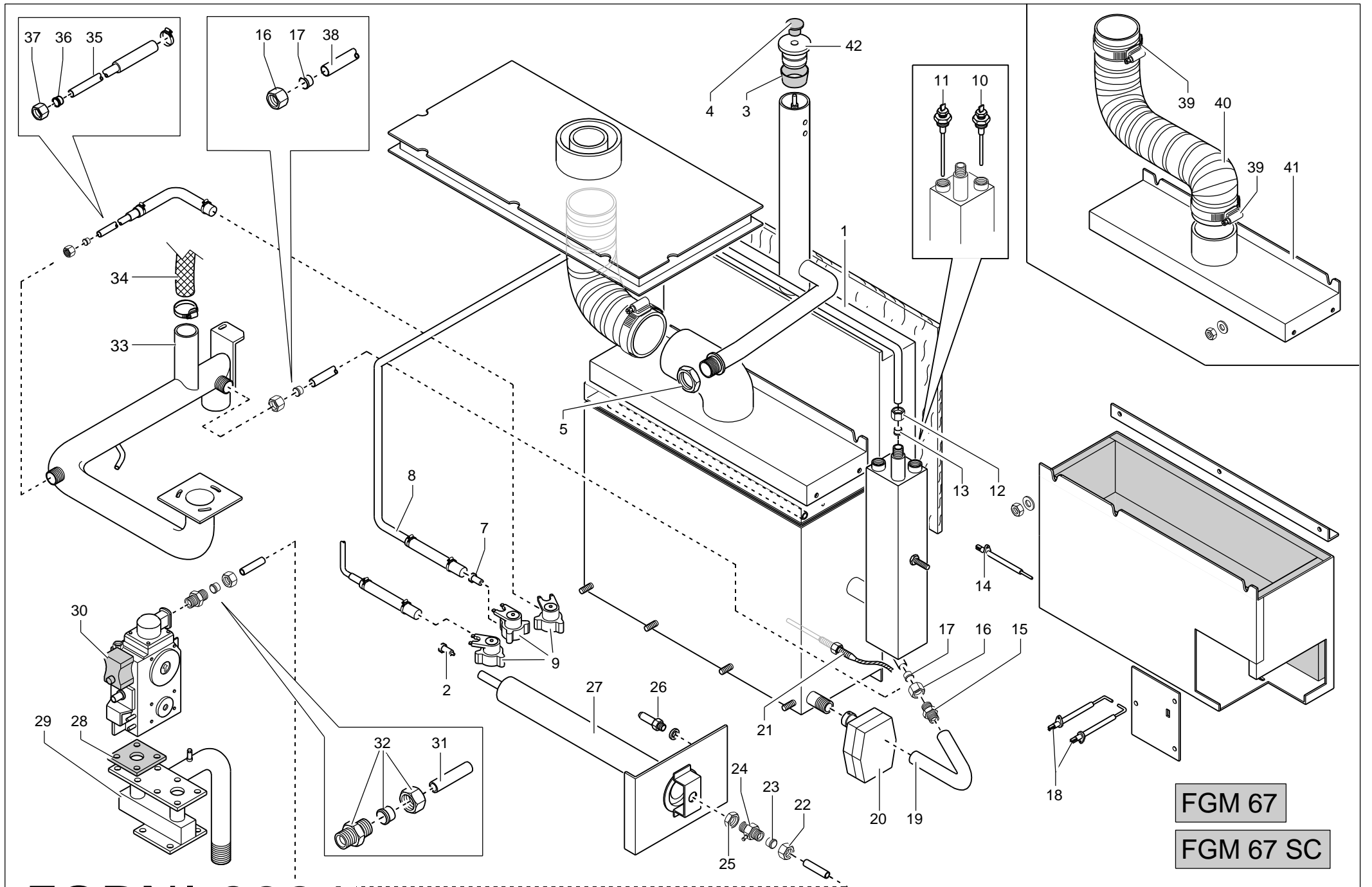
○ = RICAMBI CONSIGLIATI - RECOMMENDED SPARE PARTS



FGM 67 SC

| TAVOLA         | POS. | CODICE     | ITALIANO                       | FRANCESE                    | INGLESE                 | TEDESCO              |
|----------------|------|------------|--------------------------------|-----------------------------|-------------------------|----------------------|
| FORNI TAV. 772 | 1    | 164764     | MASCHER.CRUS.FGMD067 FRONT.    | MASQUE FRONTAL              | COVER FRONTAL           | ABDECKUNGVORNE       |
| FORNI TAV. 772 | 2    | RTFOC00672 | SCHEDA DISPLAY FGMD107 98X3    | CARTE DISPLAY               | SCHEME DISPLAY          | SCHALTPLAN DISPLAY   |
| FORNI TAV. 772 | 3    | 164766     | MASCHER.CRUS.FGMD067SC SONDA   | MASQUE SONDEUSE             | COVER PROBE             | ABDECKUNGSONDE       |
| FORNI TAV. 772 | 4    | RTFOC00673 | SCHEDA SONDA FGMD107 98X2      | SCHEDA EL. SONDE            | SCHEME EL. PROBE        | SCHALTPLAN EL. SONDE |
| FORNI TAV. 772 | 5    | 164761     | MANOPOLA                       | BOUTON                      | KNOB                    | DREHGRIFF            |
| FORNI TAV. 772 | (6)  | 164122     | COMM.FGMD067 4647866823        | COMMUTATEUR                 | COMMUTATOR              | KOMMUTATORGRIFF      |
| FORNI TAV. 772 | 7    | RTFOC00671 | SCHEDA POTENZA FGMD107 050998  | CARTE DE PUISSANCE          | POWER SCHEME            | SCHALTPLAN POTENZ    |
| FORNI TAV. 772 | (9)  | RTFOC00231 | T.L.FGM101/T300 5510552804     | THERMOSTAT LIMITEUR BOILER  | THERMOSTAT LIMIT BOILER | THERMOSTAT BOILER    |
| FORNI TAV. 772 | (10) | RTFOC00483 | T.L.FCV/1T350 5510562800       | THERMOSTAT LIMITEUR         | THERMOSTAT LIMIT. OVEN  | LIMIT THERMOSTAT     |
| FORNI TAV. 772 | 11   | RTFOC00053 | CONDENSATORE FCV 16152220MF450 | CONDENSATEUR                | CONDENS. MOTOR          | CONDENS. MOTOR       |
| FORNI TAV. 772 | 12   | RTFOC00309 | A/DISTURBO FGC060 411105082    | ANTI-PERTURBATION           | ANTIJAMMING FILTER      | FILTER A/STÖRUNG     |
| FORNI TAV. 772 | 13   | RTFOC00575 | FUSIBILE FCV.5X20/3,15A        | FUSIBLE 3,15 A              | FUSIBLE 3,15 A          | SICHERUNG 3,15 A     |
| FORNI TAV. 772 | 14   | RTFOC00284 | FUSIBILE 6,3 A                 | FUSIBLE 6,3 A               | FUSIBLE 6,3 A           | SICHERUNG 6,3 A      |
| FORNI TAV. 772 | 15   | RTBF900045 | MORSETTIERA C4EF+SIMB/1-6      | GRUPE DE CONNECTION 6 POLES | TERMINAL BLOCK 6 POLES  | KLEMMBRETT 6 POLIG   |
| FORNI TAV. 772 | 16   | RTFOC00048 | P/FUSIBILE+PIAS.FCV.VL04+VS0PT | PORTE-FUSIBLES              | FUSE HOLDER             | SICHERUNGSHALTER     |
| FORNI TAV. 772 | 17   | 164608     | RELAIS FCV.3TF3000-0AL2        | RELAIS                      | RELAY                   | RELAIS               |
| FORNI TAV. 772 | 18   | RTFOC00789 | CONTATTI A.FCV                 | AUXILIARIE CONTACT          | AUXILIARY CONTACT       | HILFSANSCHLÜSSE      |
| FORNI TAV. 772 | 19   | RTFOC00682 | CONTATTI SCHEDA EL.            | AUXILIARIE CONTACT          | AUXILIARY CONTACT       | HILFSANSCHLÜSSE      |
| FORNI TAV. 772 | 20   | RTFOC00785 | CENTRALINA ACC.FGM109 20653005 | DISTRIBUTEUR ALLUMAGE       | ELECTRIC BOARD          | SCHALTKASTEN         |
| FORNI TAV. 772 | 21   | RTFOC00023 | A/DISTURBO FCV.F43LN3100ZF00K  | ANTI-PERTURBATION           | ANTIJAMMING FILTER      | FILTER A/STÖRUNG     |
| FORNI TAV. 772 | 22   | GAFOC00118 | AS.CONV.CALORE FEM109          | CONVOYEUR CHALEUR           | HEAT CONVEYOR           | WÄRMEUMWÄLZER        |
| FORNI TAV. 772 | 23   | RTFOC00254 | VENT.CALORE FEM109             | VENTILATEUR CHALEUR         | HEATFAN                 | WÄRMEVENTILATOR      |
| FORNI TAV. 772 | (24) | RTFOC00321 | T/COPPIA 52 FCV.MBM00001       | THERMOCOUPLE                | THERMOELEMENT           | THERMOELEMENT        |
| FORNI TAV. 772 | 25   | 161390     | SONDA C/CM.42 FCVM MBM00007    | SONDE                       | PROBE                   | SONDE                |
| FORNI TAV. 772 | 26   | 164765     | MASCHER.CRUS.FGMD067 NEUTRA    | MASQUE NEUTRE               | COVER NEUTRA            | ABDECKUNG NEUTRAL    |
| FORNI TAV. 772 | 27   | 161284     | TRASFORMATORE W40              | TRANSFORMATEUR W40          | TRASFORMATOR W40        | TRASFORMATOR W40     |
| FORNI TAV. 772 | 28   | RTFOC00144 | RELAIS                         | RELAIS                      | RELAY                   | RELAIS               |
| FORNI TAV. 772 | 29   | 161391     | CONNETTORE SONDA FCB           | ATTAQUE SONDE               | PROBE CONNECTION        | SONDESCHLUß          |

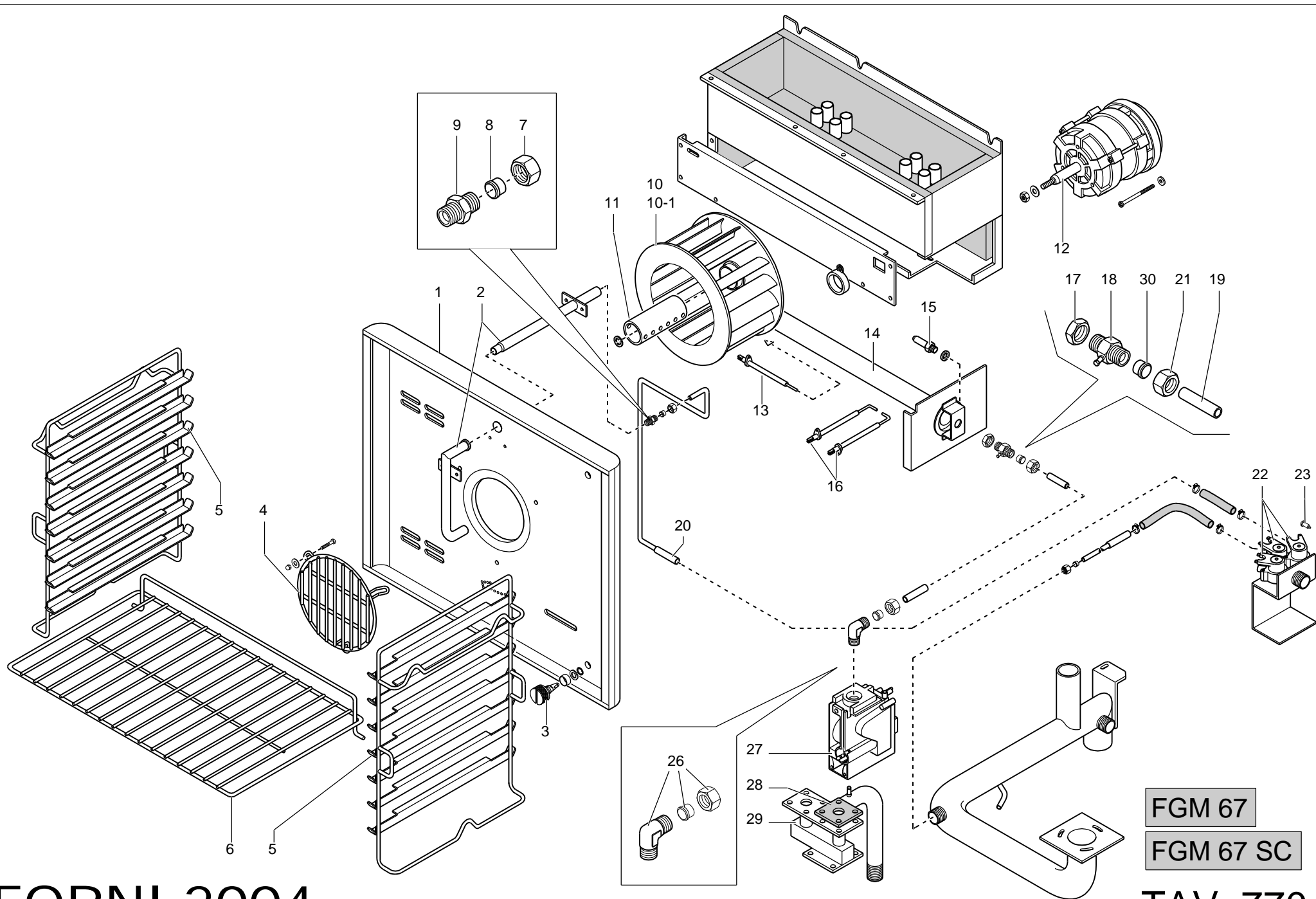
○ = RICAMBI CONSIGLIATI - RECOMMENDED SPARE PARTS



FGM 67  
 FGM 67 SC

| TAVOLA         | POS. | CODICE        | ITALIANO                         | FRANCESE                        | INGLESE                | TEDESCO                    |
|----------------|------|---------------|----------------------------------|---------------------------------|------------------------|----------------------------|
| FORNI TAV. 771 | 1    | RTFOC00554    | BOYLER G.FGM061/1                | BOILER                          | BOILER                 | BOILER                     |
| FORNI TAV. 771 | 2    | RTFOC00120    | REGOLAT.E/VALV.FC.V.ROSSO/0,25   | REGULATEUR DE PORTÉE            | FLOWREGULATOR          | DURCHSTRÖMUNGSREGLER       |
| FORNI TAV. 771 | 3    | RTFOC00213    | GUARNIZ.                         | GARNITURE                       | GASKET                 | DICHTUNG                   |
| FORNI TAV. 771 | 4    | 161660        | MANOP.COND.FC.V.TURCH.EKK25B     | BOUTON                          | KNOB                   | DREHGRIF                   |
| FORNI TAV. 771 | 5    | RTFOC00186    | DADO 3/4"ES.INOX FCVM            | ECROU3/4"                       | NUT 3/4"               | MUTTER 3/4"                |
| FORNI TAV. 771 | 6    | RTFOC00479    | TU.AL.ACQ.UMIDIF.                | TUBE HUMIDIFICATEUR             | PIPE HUMIDIFIER        | ROHR BEFEUCHTER            |
| FORNI TAV. 771 | 7    | RTFOC00145    | REGOL. DI PORTATA BOILER         | REGULATEUR DE PORTÉE BOILER     | BOILER FLOW REGULATOR  | DURCHFLUSSREGLER BOILER    |
| FORNI TAV. 771 | 8    | RTFOC00535    | TU.AL.ACQ.BOYLER FGM060/1        | TUBO CARICO ACQUA BOIL.         | PIPE WATERINLET BOIL.  | ROHR WASSERZUFUSS BOIL.    |
| FORNI TAV. 771 | (9)  | RTFOC00520    | E/VALVOLA FCV.3V. 209035         | SOUPAPE 3 VIE                   | ELECTRIC VALVE 3 VIE   | ELEKTROVENTIL 3 WEG        |
| FORNI TAV. 771 | 10   | RTFOC00709    | SONDA LIVELLO BOYLER FGM L 120   | S.LIVELLO ACQUA L=90            | WATERLEVEL L=90        | WASSERSTAND L=90           |
| FORNI TAV. 771 | 11   | RTFOC00710    | SONDA LIVELLO BOYLER FGM L 90    | SONDE DE NIVEAU L=120           | LEVEL PROBE L=120      | WASSERSTANDSANZEIGER L=120 |
| FORNI TAV. 771 | 12   | RTCU900013    | CALOTTA D.10                     | ECROU                           | NUT                    | MUTTER                     |
| FORNI TAV. 771 | 13   | RTCU900012    | BICONO D.10                      | BICONE POUR TUYAU Ø 10          | BICONE Ø10             | ZWEIKEGEL Ø10              |
| FORNI TAV. 771 | (14) | PAFOC00250    | CAND. RIL BRUC.BOILER FGM109/108 | ELECTRODE DÉTECTION             | SPARK PLUG             | ZÜNDKERZE                  |
| FORNI TAV. 771 | 15   | RTCP900087    | NIPLES CP OT/M/1/2"XM20/D.14     | NIPLES 1/2" X M20               | NIPLES 1/2" X M20      | NIPPEL 1/2" X M20          |
| FORNI TAV. 771 | 16   | RTCP900089    | CALOTTA OT.D.14 CP               | ECROU                           | NUT                    | MUTTER                     |
| FORNI TAV. 771 | 17   | RTCP900088    | BICONO D.14 CP                   | BICONE                          | DOUBLE CONE            | DOPPELKONUS                |
| FORNI TAV. 771 | (18) | PAFOC00251    | CAND.ACC.BRUC.B.FGM109/95 15402  | BOUGIE D'ALLUMAGE               | PLUG SPARKE            | ZÜNDKERZE                  |
| FORNI TAV. 771 | 19   | RTCP900034    | GOMITO FE.MF.1/2"ZINC.           | COURBE M-FG 1/2"                | ELBOW M-FG 1/2"        | KNIESTÜCK 1/2"             |
| FORNI TAV. 771 | (20) | RTFOC00550    | VALV.MOTORIZ.FCVM/1 TCR1/2       | SOUPAPE MOTORIZE                | MOTORIZED VALVE        | MOTORGESTEUERTES VENTIL    |
| FORNI TAV. 771 | (21) | RTFOC00034    | TERMOCOPPIA                      | THERMOCOUPLE                    | THERMOCOPIA            | WAERMEPAAR                 |
| FORNI TAV. 771 | 22   | RTBF800015    | CALOTTA D.14 ART.181 GBR         | ECROU D.14                      | NUT D.14               | MUTTER D.14                |
| FORNI TAV. 771 | 23   | RTBF800137    | BICONO D.14 ART.182 GBR          | BICONE D.14                     | DOUBLE CONE D.14       | DOPPELKONUS D.14           |
| FORNI TAV. 771 | 24   | RTCP800012    | SUPPORTO INIET.1/2"BRUC.GBR      | SUPPORTO INJECTEUR              | SUPPORT INJECTOR 1/2"  | HALTERUNG EINSPRITZER      |
| FORNI TAV. 771 | 25   | RTCP800013    | DADO 1/2" ESAGONALE 27 X 7       | ECROU1/2"                       | NUT 1/2"               | MUTTER 1/2"                |
| FORNI TAV. 771 | 27   | GAFOC00108    | AS.BRUC.BOYLER FGM061            | BRÛLEUR                         | BURNER                 | BRENNER                    |
| FORNI TAV. 771 | 28   | RTFOC00100    | GUARNIZ.AS.RAMPA FGC060          | GARNITURE RAMPE DU GAZ          | GASKET RAMP GAS        | DICHTUNG RAMPE GAS         |
| FORNI TAV. 771 | 29   | RTFOC00350    | AS.RAMPA FGM100 ZINC.            | RAMPE DU GAZ                    | RAMP GAS               | RAMPE GAS                  |
| FORNI TAV. 771 | (30) | RTFOC00577    | CORPO V.FGM69/0822112            | VALVE GAS                       | VALVE GAS              | VENTIL GAS                 |
| FORNI TAV. 771 | 31   | RTFOC00691    | TU.AL.BRUC.BOYLER FGM69          | TUBO ALLACC. BRUC               | PIPE                   | ROHR                       |
| FORNI TAV. 771 | 32   | RTBF800140    | GOMITO COMP.OT.D.14 01091421     | RACCORD                         | FITTING                | KNIESTÜCK                  |
| FORNI TAV. 771 | 33   | 161212+161214 | RAMPA SC.COND.FGM100/1           | RAMPE DU DÉCHARGEMENT CONDENSE  | RAMP OUTLET COND.      | DUNSTHAUBE                 |
| FORNI TAV. 771 | 34   | 161508        | TUBO GOMMA                       | TUBE EN CAOUTCHAUC              | RUBBER PIPE            | ROHR GUMMI                 |
| FORNI TAV. 771 | 35   | 161554        | TU.AB.VAPORI FCVM                | TUYAU DÉTACHEMENT VAPEUR        | PIPE STEAM             | ROHR DAMPF                 |
| FORNI TAV. 771 | 36   | RTCU800183    | BICONO D.6 G4SF SIT0957010       | BICONE D.6                      | DOUBLE CONE D.6        | DOPPELKONUS D.6            |
| FORNI TAV. 771 | 37   | RTFOC00020    | CALOTTA UMIDIF.FC.V.             | ECROU                           | NUT                    | MUTTER                     |
| FORNI TAV. 771 | 38   | 161520        | TU.SCARICO ACQ.BOY.FGM100/1      | TUBE DE DECHARGE DE L'EAU BOIL. | PIPE WATEROUTLET BOIL. | ROHR WASSERABFLUSS BOIL.   |
| FORNI TAV. 771 | 39   | RTMIN00249    | FASCETTA                         | BANDE                           | CLAMP                  | SHELLE                     |
| FORNI TAV. 771 | 40   | RTFOC00216    | TU.FLES.PRES.BIANCO/75 0106300   | TUYAU                           | PIPE FLEXIBLE          | ROHR FLEXIBEL              |
| FORNI TAV. 771 | 41   | GAFOC00115    | AS.CAMERA COMB.BOYLER FGM061     | CHEMINÉE BOILER                 | CHIMNEY BOILER         | KAMIN BOILER               |
| FORNI TAV. 771 | 42   | RTFOC00212    | VALVOLA PESO                     | VALVE                           | VALVE                  | VENTIL                     |

○ = RICAMBI CONSIGLIATI - RECOMMENDED SPARE PARTS



FGM 67  
FGM 67 SC

| TAVOLA         | POS. | CODICE              | ITALIANO                       | FRANCESE                        | INGLESE                   | TEDESCO                  |
|----------------|------|---------------------|--------------------------------|---------------------------------|---------------------------|--------------------------|
| FORNI TAV. 770 | 1    | PAFOC00549          | CONV.ARIA FGC060/1             | CONVOYEUR DE L'AIR              | CHIMNEY                   | SCHORNSTEIN              |
| FORNI TAV. 770 | 2    | RTFOC00487          | TU.UMIDIFICATORE FEC060/1      | HUMIDIFICATEUR                  | HUMIDIFIER                | BEFEUCHTER               |
| FORNI TAV. 770 | 3    | RTFOC00334          | AT.RAPIDO K1610/TA16/C16X      | ATTAQUE RAPIDE                  | CONNECTION                | SCHNELLANSCHLUSS         |
| FORNI TAV. 770 | 4    | RTFOC00174          | GRIGLIA PROT.VENT.FCV.INOX     | GRILLE DE PROTECTION            | GRILL IMPELLER PROTECTION | SCHUTZGITTER SCHORNSTEIN |
| FORNI TAV. 770 | 5    | RTFOC00526          | GRIGLIA LAT.FCVM/6G INOX       | GRILLE LATÉRALE DROITE-SX       | GRILL SIDERIGHT-LEFT      | GRILL SEITERECHTS-LINKS  |
| FORNI TAV. 770 | 6    | RTFOC00175          | GRIGLIA FORNO GN 1/1           | GRILLE DU FOUR GN 1/1           | GRILL OVEN GN 1/1         | GRILL HERD GN 1/1        |
| FORNI TAV. 770 | 7    | RTFOC00020          | CALOTTA UMIDIF.FCV.            | ECROU                           | NUT                       | MUTTER                   |
| FORNI TAV. 770 | 8    | RTCU900018          | BICONO D.6 PEL0905             | BICONE POUR TUBE Ø 6            | BICONE FOR PIPE Ø 6       | ZWEIKEGEL Ø 6            |
| FORNI TAV. 770 | 9    | RTFOC00557          | INIET.UMIDIF.FCV D.1.5         | INJECTEUR HUMIDIFICATEUR        | INJECTOR HUMIDIFIER       | EINSPRITZER BEFEUCHTER   |
| FORNI TAV. 770 | 10   | 161275              | GIRANTE VENT.6G D.220 P.R.     | MOBILE 50HZ                     | IMPELLER 50HZ             | LAUFRAD 50HZ             |
| FORNI TAV. 770 | 10-1 | RTFOC00531          | GIRANTE VENT.6G D.220 P.R.60HZ | MOBILE 60HZ                     | IMPELLER 60HZ             | LAUFRAD 60HZ             |
| FORNI TAV. 770 | 11   | RTFOC00437          | NEBULIZZATORE FGC065           | NÉBULISATEUR                    | DISTRIBUTOR               | ZERSTÄUBER               |
| FORNI TAV. 770 | 12   | RTFOC00011          | MOTORE                         | MOTEUR                          | MOTOR                     | MOTOR                    |
| FORNI TAV. 770 | (13) | PAFOC00249          | CAND.RIL.BRU                   |                                 |                           |                          |
| FORNI TAV. 770 | 14   | GAFOC00064          | AS.BRUC.FGC060                 | BRÛLEUR                         | BURNER                    | BRENNER                  |
| FORNI TAV. 770 | 15   | VEDI MANUALE UGELLI | INIET.                         | INJECTEURG                      | INJECTORG                 | EINSPRITZERG             |
| FORNI TAV. 770 | (16) | PAFOC00252          | CAND.ACC.BRUCIATORE FGM109     | CANDEL.ACC. FIAMMA              | CANDEL.ACC. FIAMMA        | FLAMMENKERZE             |
| FORNI TAV. 770 | 17   | RTCP800013          | DADO 1/2" ESAGONALE 27 X 7     | ECROU1/2"                       | NUT 1/2"                  | MUTTER 1/2"              |
| FORNI TAV. 770 | 18   | RTCP800012          | SUPPORTO INIET.1/2"BRUC.GBR    | SUPPORTO INJECTEUR              | SUPPORT INJECTOR 1/2"     | HALTERUNG EINSPRITZER    |
| FORNI TAV. 770 | 19   | RTFOC00690          | TU.AL.BRUC.FGM69               | TUYAU D'ALIMENTATION DU BRÛLEUR | PIPE BURNER               | ROHR BRENNER             |
| FORNI TAV. 770 | 20   | RTFOC00510          | TU.AL.ACQ.UMIDIF.FGC060/1      | TUBE HUMIDIFICATEUR             | PIPE HUMIDIFIER           | ROHR BEFEUCHTER          |
| FORNI TAV. 770 | 21   | RTBF800015          | CALOTTA D.14 ART.181 GBR       | ECROU D.14                      | NUT D.14                  | MUTTER D.14              |
| FORNI TAV. 770 | (22) | RTFOC00520          | E/VALVOLA FCV.3V. 209035       | SOUPAPE 3 VIE                   | ELECTRIC VALVE 3 VIE      | ELEKTROVENTIL 3 WEG      |
| FORNI TAV. 770 | 23   | RTFOC00120          | REGOLAT.E/VALV.FCV.ROSSO/0,25  | REGULATEUR DE PORTÉE            | FLOWREGULATOR             | DURCHSTRÖMUNGSREGLER     |
| FORNI TAV. 770 | 26   | RTBF800140          | GOMITO COMP.OT.D.14 01091421   | RACCORD                         | FITTING                   | KNIESTÜCK                |
| FORNI TAV. 770 | (27) | RTFOC00577          | CORPO V.FGM69 826011           | VALVE GAS                       | VALVE GAS                 | VENTIL GAS               |
| FORNI TAV. 770 | 28   | RTFOC00100          | GUARNIZ.AS.RAMPA FGC060        | GARNITURE RAMPE DU GAZ          | GASKET RAMP GAS           | DICHTUNG RAMPE GAS       |
| FORNI TAV. 770 | 29   | RTFOC00350          | AS.RAMPA FGM100 ZINC.          | RAMPE DU GAZ                    | RAMP GAS                  | RAMPE GAS                |
| FORNI TAV. 770 | 30   | 161554              | TU.AB.VAPORI FCVM              | TUYAU DÉTACHEMENT VAPEUR        | PIPE STEAM                | ROHR DAMPF               |

○ = RICAMBI CONSIGLIATI - RECOMMENDED SPARE PARTS