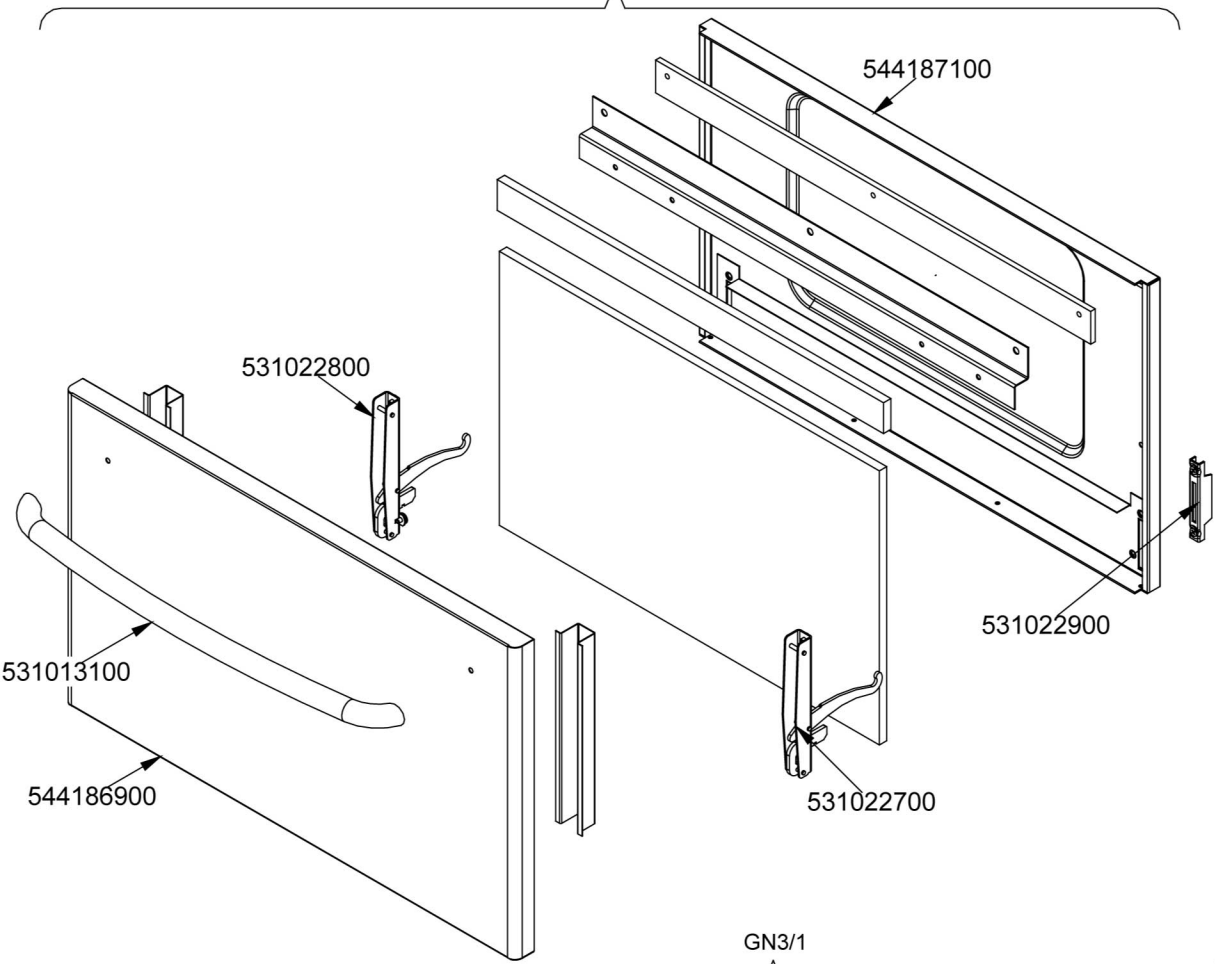
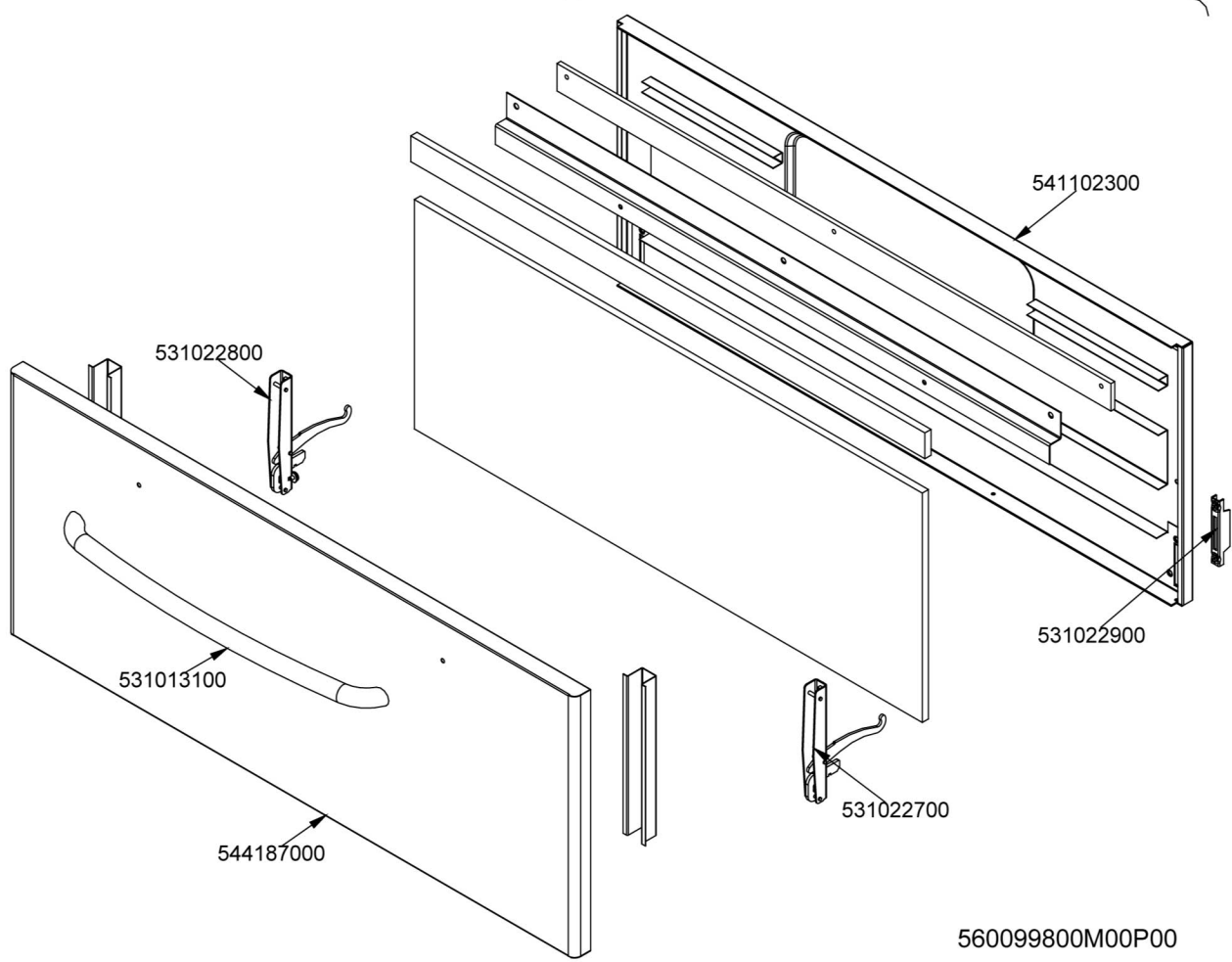


GN2/1

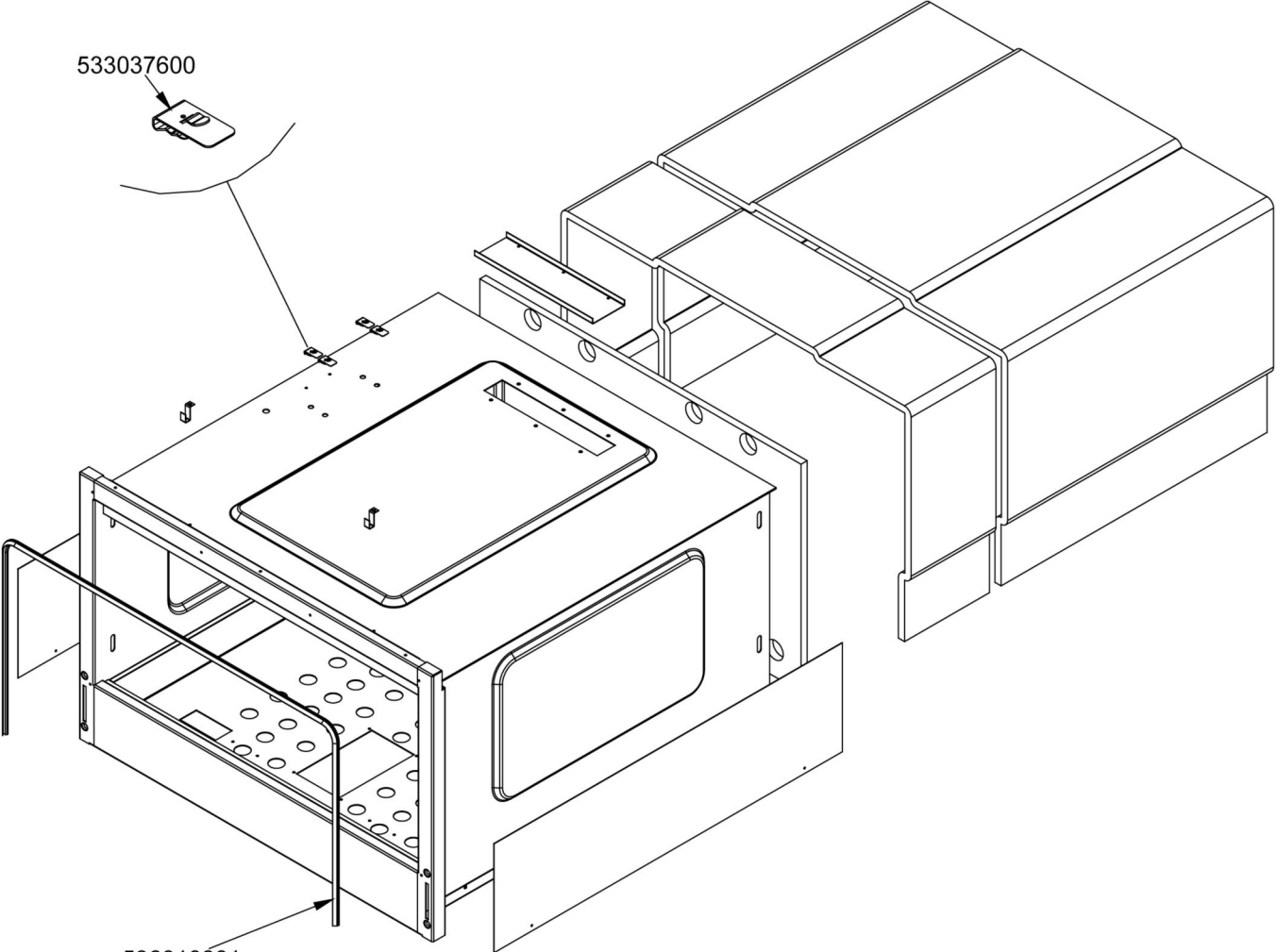


GN3/1



560099800M00P00

533037600



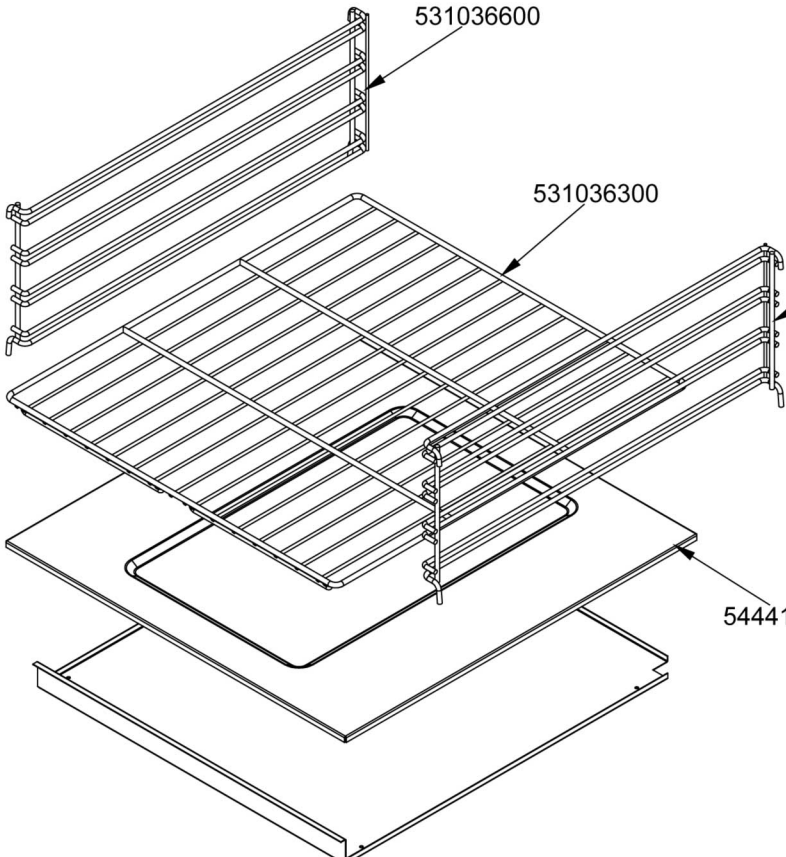
536010801

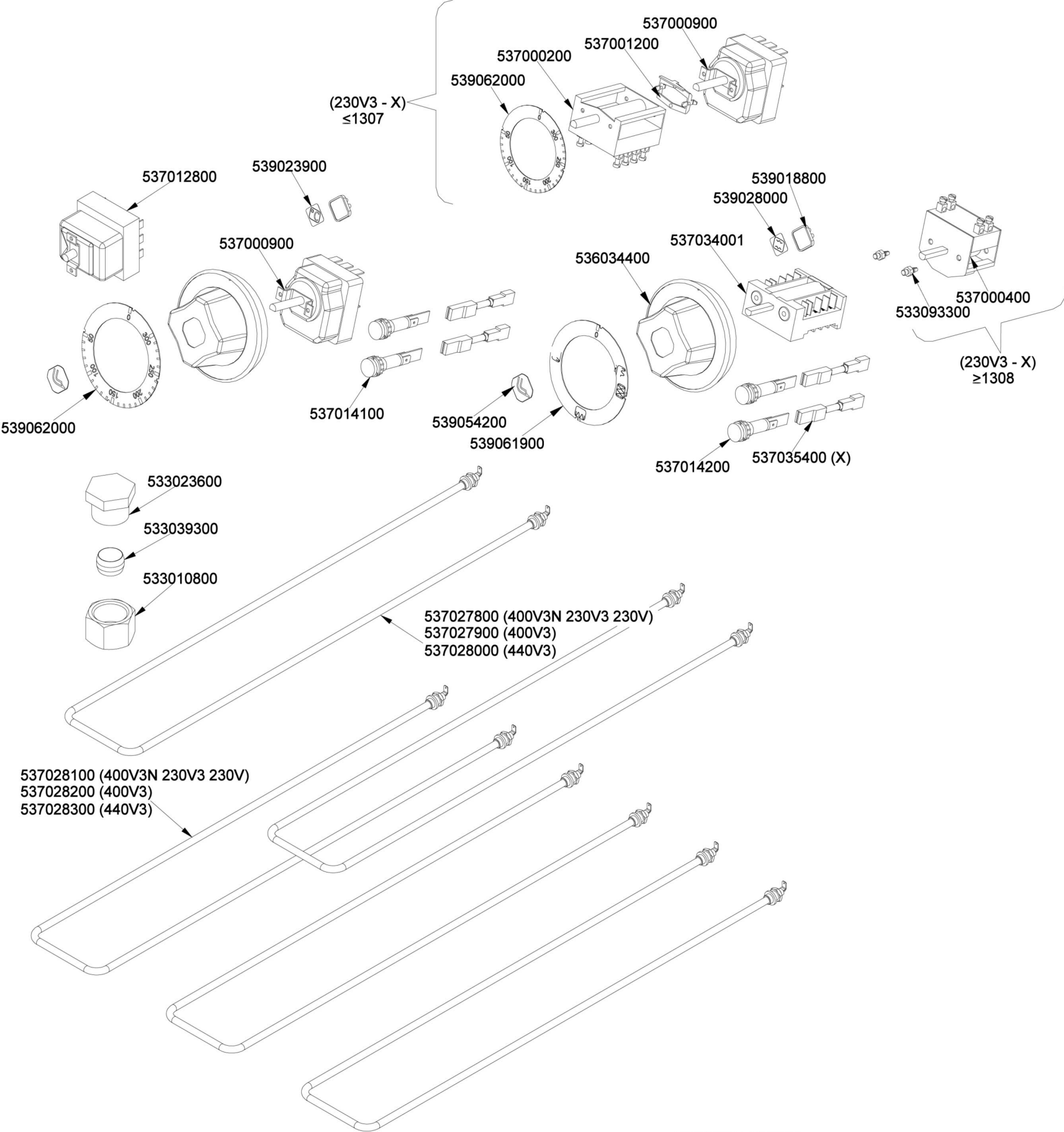
531036600

531036300

531036500

544410100





541157601 ≤ 1302
541157602 ≥ 1303

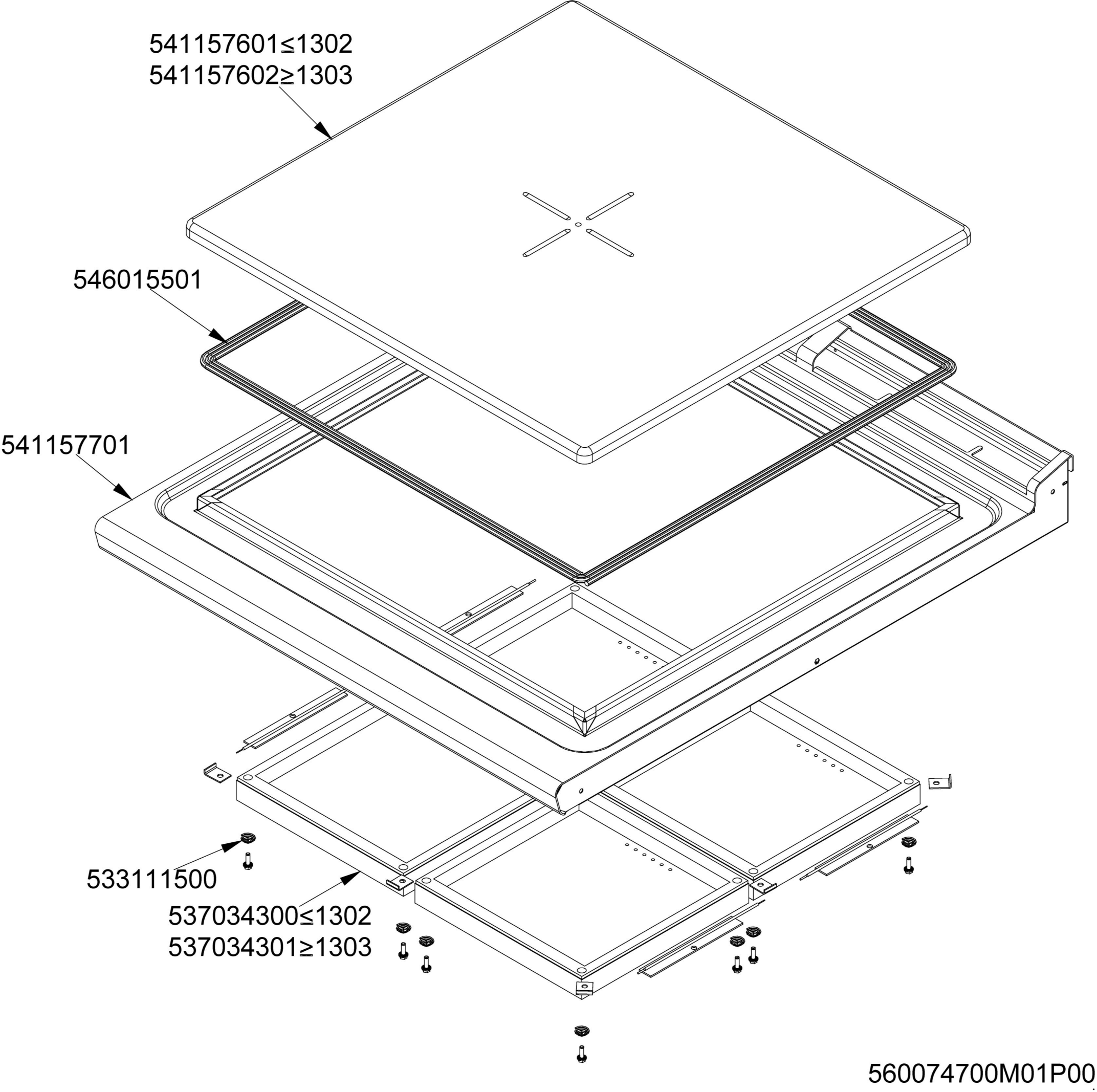
546015501

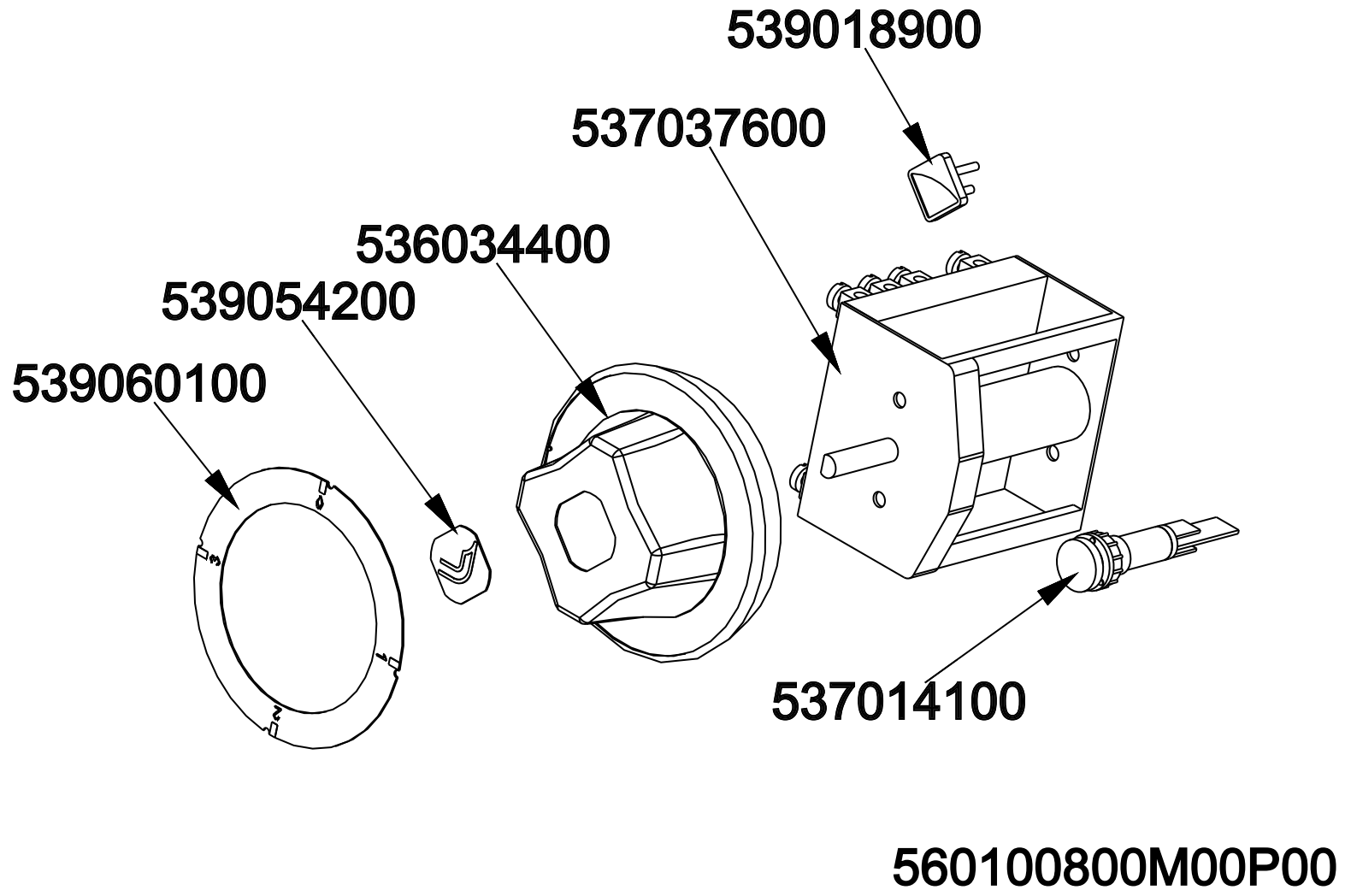
541157701

533111500

537034300 ≤ 1302
537034301 ≥ 1303

560074700M01P00





Page	Pos	Code	Description
001		532004100	FLUE GRID L=370 90LINE (RAF
001		537027400	TERMINAL BLOCK THREEPHASE 40A
001		537003800	TERMINAL BLOCK 3POLES 16A
001		537000900	THERMOSTAT 063-320°C THREEPHASE
001		541104501	CONTROL PANEL CF4-78E CFC4-78E C
001		544407200	RIGHT SIDE PANEL RANGE 70 LINE
001		544407100	RIGHT SIDE PANEL RANGE 90 LINE
001		536005200	INOX LEG 2" 120-180 M10
002		544187100	OVEN INNER DOOR GN 2/1 70/90LINE
002		531022800	LEFT OVEN DOOR HINGE S.70
002		531013100	OVEN DOOR HANDLE OF 70/90-LINE
002		544186900	OVEN DOOR GN 2/1 70/90LINES
002		531022700	RIGHT OVEN DOOR HINGE 70LINE
002		531022900	HINGE DOOR WHEEL HOLDER S.70
002		541102300	GAS OVEN INNER DOOR GN 3/1 S.70
002		544187000	OVEN DOOR GN 3/1 S.70
003		533037600	LOCK SPRING FOR BULB
003		536010801	OVEN GASKET GN 2/1 (1308
003		531036600	LHD RACK HOLDER FOR OVEN S.90
003		531036300	OVEN RACK GN 2/1 FOR 90 LINE
003		531036500	RHD RACK HOLDER FOR OVEN S.90
003		544410100	90 ELECTRICAL OVEN BOTTOM GN2/1
004		539023900	SIGN PLATE FOR OVEN TEMPERATURE
004		537012800	SAFETY THERMOSTAT 420°C THREEPHASE
004		537000900	THERMOSTAT 063-320°C THREEPHASE
004		537014100	WHITE WARNING LIGHT 250V
004		539054200	STAMP O20,5 CR."L" LOTUS R.
004		539061900	ADESIVE DISK FOR SWITCH OVEN S70
004		536034400	KNOB §77 4P. §06*4,6 C/M
004		537034001	COMMUTATOR 4 POS.3PHASE S.42 16A
004		539028000	SELECTOR SIGN PLATE FOR OVEN
004		539018800	BLANK INDEX FOR KNOB
004		537014200	GREEN WARNING LIGHT 250V
004		539062000	ADESIVE DISK THERMOSTAT OVEN S70
004		533023600	TAP PLUG §10 M16*1, 5CH19
004		533039300	BICONE §10
004		533010800	TUBE NUT D.10 M16*1,5
004		537027800	OVENUPPER HEATING EL. W800 V230 90L
004		537027900	OVENUPPER HEATING EL. W800 V400 90L
004		537028000	OVENUPPER HEATING EL. W800 V440 90L
004		537028100	OVEN LOWER HEATING EL.W700 V230 90L
004		537028200	HEATING ELEMENT 1700W 400V OVEN S70
004		537028300	OVEN LOWER HEATING EL.W1700 V230 90
005		541157601	UPPER PLATE TP-98E
005		541157602	PLATE S90 TP-98E
005		546015501	SQUARE PLAIT L.C.06X06 L7500
005		541157701	UPPER PLATE TP-98E
005		533111500	COIL SPRING INTØ7X18XØFILO1 H=10
005		537034300	HEATING EL. 250X250 3400W230V3
005		537034301	HEATING EL. 250X295 3400W 230V3
006		539018900	INDEX FOR KNOB W/RED SIGN

Page	Pos	Code	Description
006		537037600	COMMUTATOR 4 POS.3PHASE S.43 32A
006		536034400	KNOB §77 4P. §06*4,6 C/M
006		539054200	STAMP O20,5 CR."L" LOTUS R.
006		539060100	RED ADESIVE DISK FOR CPT-ET
006		537014100	WHITE WARNING LIGHT 250V