

# IS160 and IS220 SERVICE PARTS

This parts list contains the parts available for the IS160 and the IS220 ice and soda dispensers.

These two models share many components, but not all.

Check the model number, and refer to the correct column list.

Check very carefully that the correct part is ordered.

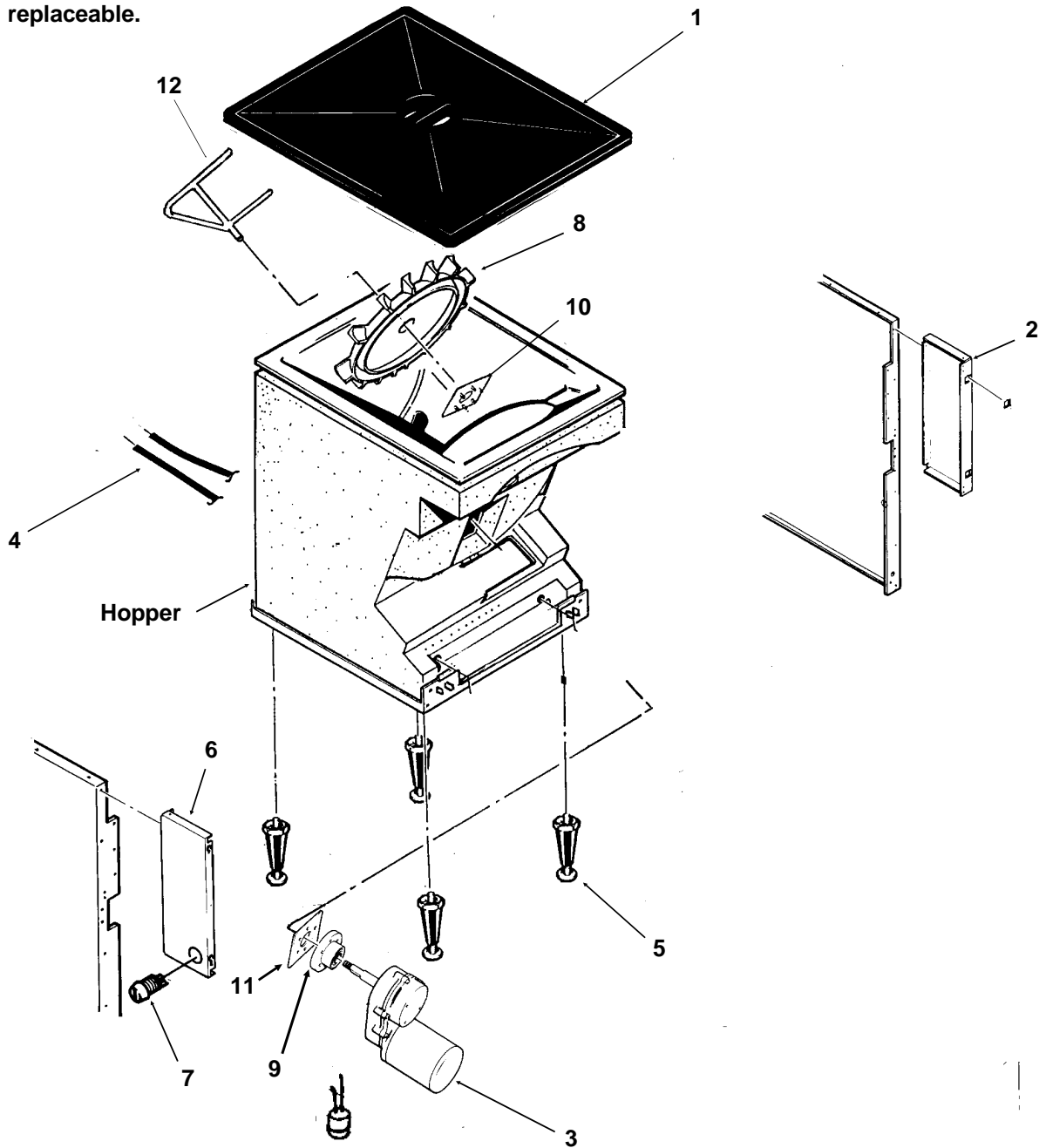
## TABLE OF CONTENTS

Cabinet	2
Cabinet	3
Cabinet Front	4
Cabinet Front	5
Control Box	6
Ice Door And Solenoid Assembly	7
Schematic Diagram	8
Component Layout Diagram	9

# IS160 and IS220 SERVICE PARTS

## Cabinet

Note: The hopper assembly  
and/or the cabinet are not  
replaceable.



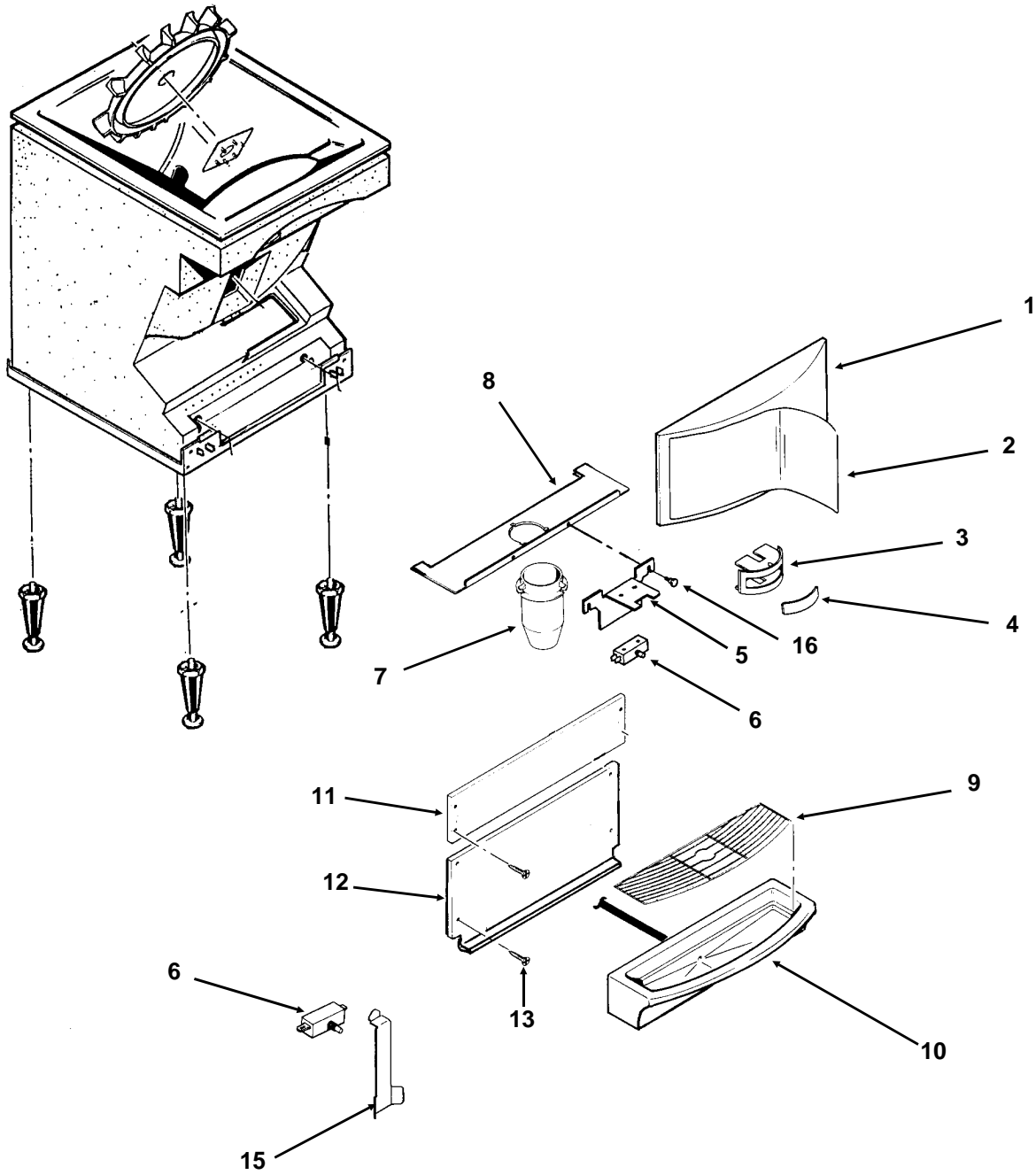
# IS160 and IS220 SERVICE PARTS

## Cabinet

<b>ITEM NUMBER</b>	<b>IS160 PART NUMBER</b>	<b>IS220 PART NUMBER</b>	<b>DESCRIPTION</b>
1	A36843-002	A36843-004	Black lid
2	A36844-003	A36844-003	Side panel extension, painted
	A35844-004	A36844-004	Side panel extension, stainless steel
3	12-2369-21	12-2369-21	Gearmotor Assembly
4	A36847-001	A36847-001	Drain hose
5	02-3124-02	02-3124-02	Leg each
6	A36844-001	A36844-001	Side panel extension, painted
	A36844-002	A36844-002	Side panel extension, stainless steel
7	12-2391-01	12-2391-01	Switch & Lock & Key
8	02-3040-01	02-3040-01	Rotor
9	A34760-001	A34760-001	Hub Assembly (includes bearing 02-3075-01 and seal 02-3065-01)
10	A38145-001	A38145-001	Mounting plate, hub
11	A34817-001	A34817-001	Gearmotor plate
12	A36846-001	A36846-002	Sweep Arm

# IS160 and IS220 SERVICE PARTS

## CABINET FRONT



# IS160 and IS220 SERVICE PARTS

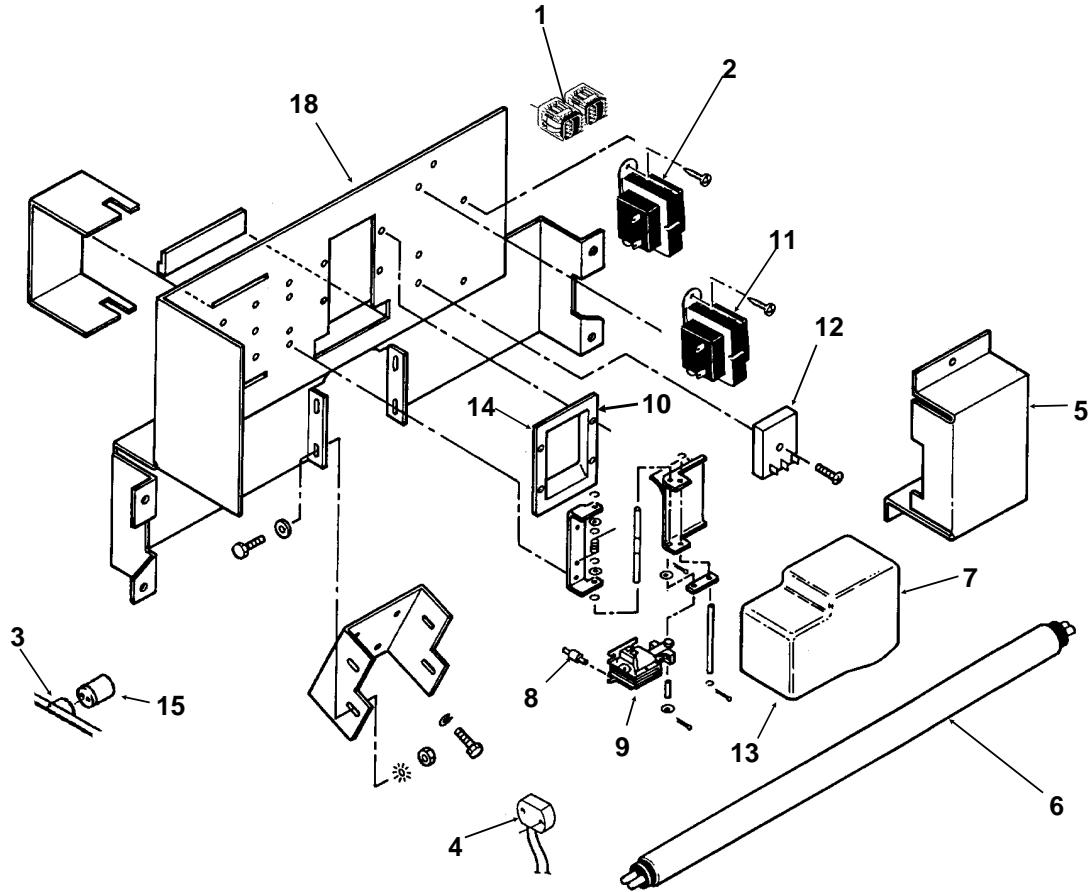
## CABINET FRONT

ITEM NUMBER	IS160 PART NUMBER	IS220 PART NUMBER	DESCRIPTION
1	A36848-004	A36848-008	Upper front frame, black, for lever
	A36848-002	A36848-006	Upper front frame, black, for pushbutton
	A36849-001	A36849-001	Screws for frame
2	15-0752-03	15-0754-05	Merch. Sign - IS
3	02-3071-01	02-3071-01	Bezel for Ice Switch Button
4	02-3072-01	02-3072-01	Button
	02-3096-02	02-3096-02	Return spring for push button
5	A36850-001	A36850-001	Switch bracket for push button models
6	12-1570-00	12-1570-00	Microswitch for push button models
	12-2731-01	12-2731-01	Microswitch for lever models
7	02-3068-01	02-3068-01	Ice Chute
8	A34797-001	A34798-001	Panel for ice chute
9	A36852-001	A36852-002	Grill/cup rest
10	02-4013-01	02-4014-01	Sink
11	A34794-005	A34794-009	Upper splash panel - lever model
	A34794-006	A34794-0010	Upper splash panel - pushbutton model
12	A36854-001	A36854-003	Splash panel
13	03-1419-22	03-1419-22	Screw
14	12-2372-01	12-2372-01	Boot for microswitch
15	A34806-001	A34806-001	Lever "Push for Ice" lever models only
16	03-0727-06	03-0727-06	Thumbscrew
Not Shown:			
17	A36886-001	A36886-002	Access cover for optional cuber adapter kits
18	02-2809-01	02-2809-01	Drain top for hopper drain inlet
19	02-2692-01	02-2692-01	Drain bottom
20	13-0617-11	13-0617-11	O-Ring



# IS160 and IS220 SERVICE PARTS

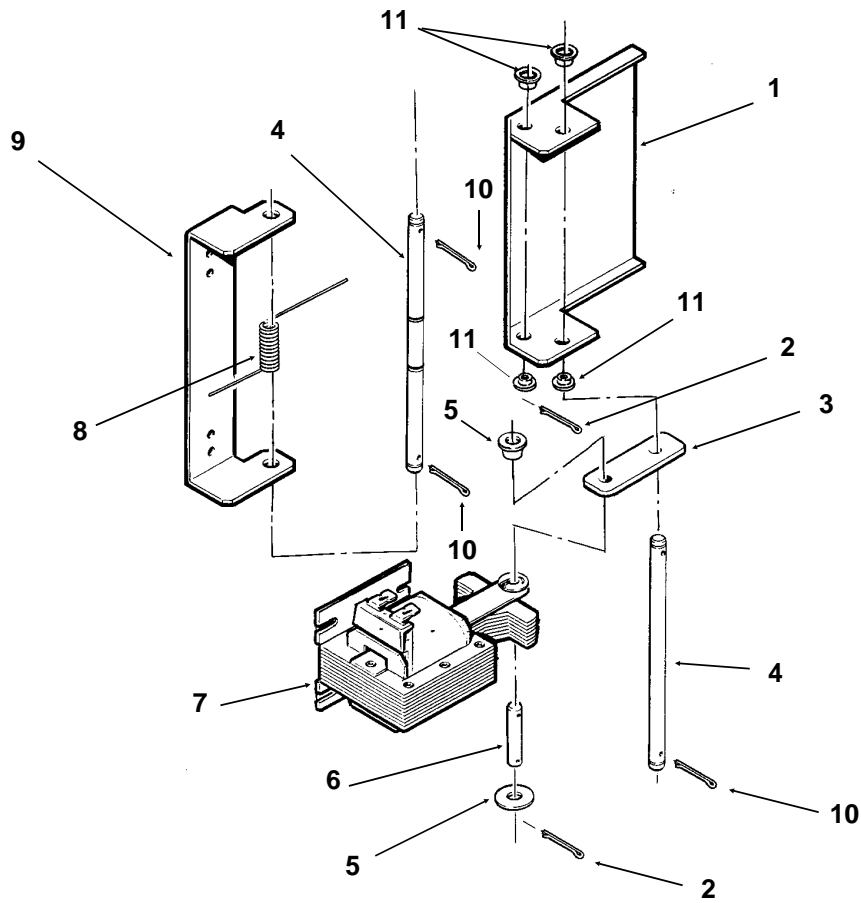
## CONTROL BOX



ITEM NUMBER	PART NUMBER	DESCRIPTION
1	12-2483-02	Relay
2	12-2390-01	Transformer
3	12-2395-01	Starter Socket
4	12-2385-01	Bulb Holder
5	A36853-001	Control Box Cover for IS160
	A36853-002	Control Box Cover for IS220
6	12-2377-01	IS160 Fluorescent Tube (15 watt -18")
	12-2377-02	IS220 Fluorescent Tube (16 watt - 26")
7	02-3067-01	Cover
8	13-0882-01	Rubber Mounts
9	A34920-001	Solenoid Cover (not shown)
10	13-0595-00	Door Gasket, 5.5"
11	12-2390-01	Transformer
12	12-2371-01	Recycling Timer
13	03-0727-06	Thumb Screw
14	02-3188-01	Spout Adaptor Assy. kit
15	12-2386-01	Starter
16	12-2484-01	Ballast
17	02-3786-01	Gearmotor bracket
18	A37756-001	Motor bracket

# IS160 and IS220 SERVICE PARTS

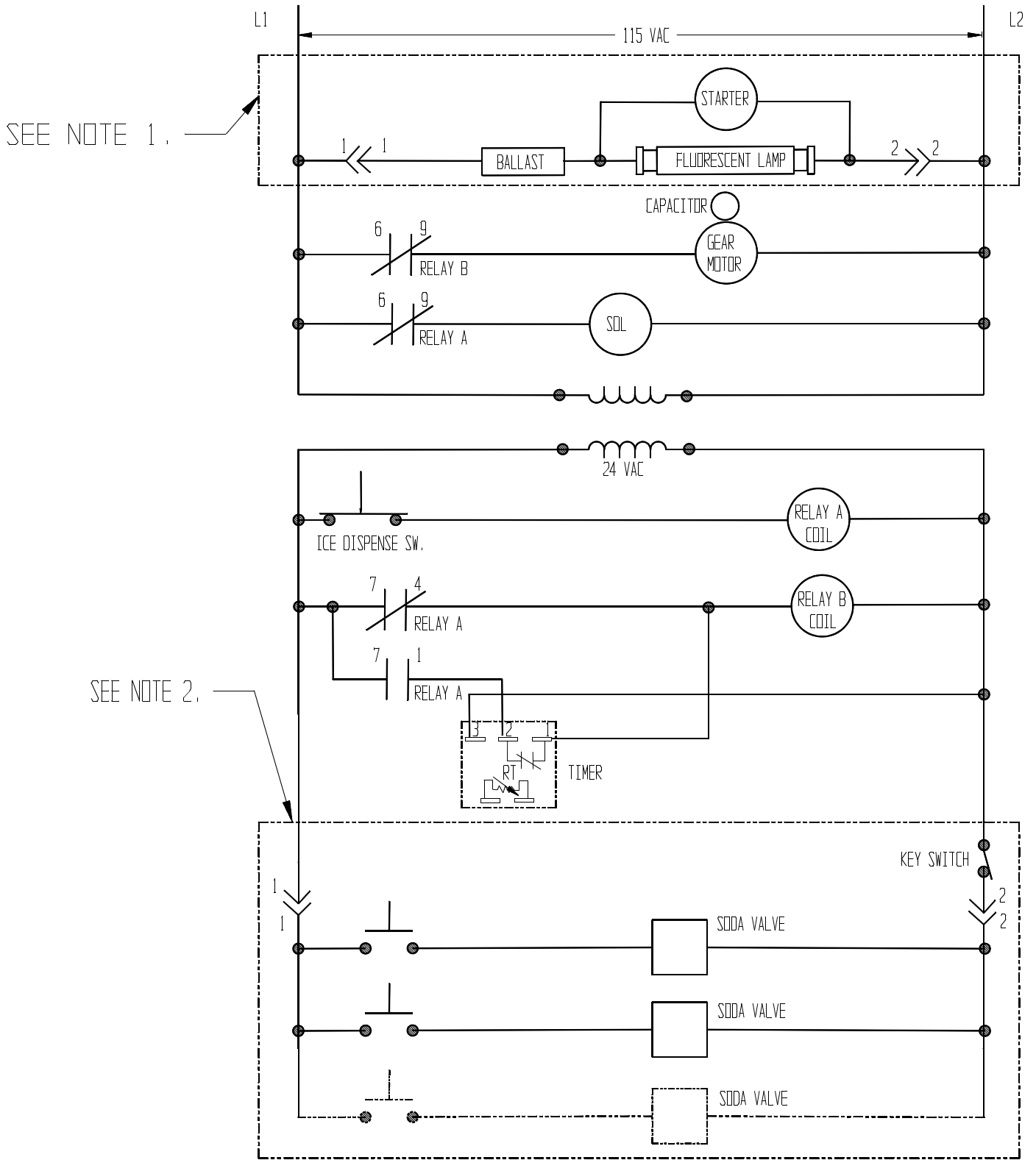
## Ice Door And Solenoid Assembly



ITEM NUMBER	PART NUMBER	DESCRIPTION
1	A34801-001	Ice Door
2	03-0396-01	Cotter Pin
3	02-3089-02	Solenoid Link
4	02-3088-01	Long axle
5	03-1407-02	Flat Washer
6	A32685-001	Axle, Linkage
7	12-2862-01	Solenoid
8	A32690-001	Door Spring
9	A34802-001	Door Hinge
10	03-0396-08	Cotter Pin
11	02-3187-01	Bushing

# IS160 and IS220 SERVICE PARTS

## Schematic Diagram



USE COPPER CONDUCTORS ONLY THIS UNIT MUST BE GROUNDED



# IS160 and IS220 SERVICE PARTS

## Component Layout Diagram

A34905-001

SEE NAMEPLATE FOR PROPER VOLTAGE REQUIREMENTS AND MAXIMUM FUSE SIZE.

