

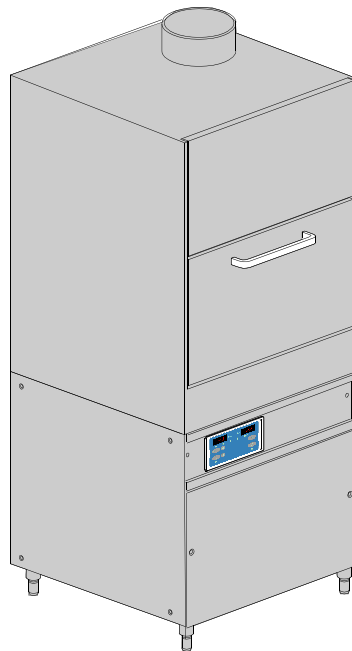
WAREWASHER

SIMPLE BODY VERSION
ELECTRONICAL SWITCHES
LOWER AND UPPER WASHING

TYPE: 18ER

Accessories
BOOSTER PUMP
DVGW
DETERGENT DISPENSER
DRAIN PUMP

Spare parts



Parti di ricambio Spare Parts Catalogues pièces

INFORMAZIONI GENERALI

Questo catalogo serve per richiedere con esattezza le parti di ricambio

Nelle ordinazioni indicare:

1) il numero dei codici dei particolari seguito dalla descrizione e la quantità desiderata;

2) Il codice alfa-numerico presente nella seconda colonna della tabella ;

I disegni delle parti di ricambio sono solo indicativi e non rappresentano il pezzo in oggetto.

I dati contenuti in questo catalogo sono indicativi e possono essere soggetti a modifiche senza impegno di preavviso.

ALLGEMEINE INFORMATIONEN

Dieser Ersatzteilkatalog dient zur genauen Angabe der Teile bei Ersatzteilbestellungen.

Bei Ersatzbestellung ist folgendes anzugeben:

1) Die Bestellnummer der Ersatzteile mit der entsprechenden Beschreibung genaue Menge;

2) Der alpha-numerischer Code auf der zweiten Reihe in dein Spalte;

Die Zeichnungen der Ersatzteile sind nur als Hinweise gedacht und stellen nicht das betroffene Teil dar.

Bei den im Katalog angeführten Daten handelt es sich um Anhaltsdaten, die jederzeit, ohne Vorankündigung, geändert werden können.

GENERAL INFORMATION

The present spare parts order exactly the right spare parts

When ordering specify:

1) the part's code number followed by its description and quantity needed;

2) The alpha-numeric code is in the second column in the chart;

Spare parts drawings are general and do not represent the part.

The contents of this catalogue are general and can undergo changes without prior notice.

INFORMACIONES GENERALES

El presente catálogo sirve para pedir con exactitud las partes de repuesto

En los pedidos se debe indicar:

1) el número de código de la parte y a continuación la descripción cantidad deseada;

2) El código alfanumerico presente en la signada columna de la tabla;

Los diseños de las partes de recambio son solo indicativos y no representan la pieza en cuestión.

Los datos contenidos en el presente catálogo son indicativos y pueden modificarse sin aviso previo.

INFORMATIONS GENERALES

Ce catalogue permet de commander correctement les pièces détachées

Les commandes doivent être passées en indiquant:

1) le numero de code des pièces dééectachées suivi de leur description quantité désirée;

2) le code alphanumérique dans la deuxième colonne du tableau;

Les plans des pièces détachées sont fournis seulement à titre indicatif et ne représentent pas la pièce concernée.

Les données de ce catalogue sont citées seulement à titre indicatif et peuvent être l'objet de modifications sans avis préalable.

ESEMPIO EXAMPLE EXEMPLE BEISPIEL

Rif.	Codici
MODULE:Particolari	
10505	540903
10510	540908
10515	15065/A
10520	540086
10525	540028



Note

Tutte le informazioni riportate si intendono aggiornate alla data di stampa. Il Produttore si riserva il diritto di apportare qualsiasi modifica richiesta dallo sviluppo evolutivo dei suddetti prodotti.

Per la sicurezza, la garanzia, l'affidabilità ed il valore della lavastoviglie usa solo ricambi originali. **Per alcuni codici, sono richieste quantità minime d'ordine.**



Attenzione

Questo libretto è parte integrante della lavastoviglie e, in caso di passaggio di proprietà, deve essere consegnato al nuovo acquirente.



Remarque

Toutes les informations contenues dans ce manuel s'entendent mises à jour à la date d'impression. En raison du développement constant de ses produits, usine se réserve le droit d'apporter à tout instant les modifications qu'elle jugera utiles.

Pour la sécurité, la garantie, la fiabilité et la valeur de votre lave-vaisselles n'utilisez que des pièces de rechange d'origine. **Pour quelque référence on demande un minimum de pièces par commande**



Attention

Ce manuel doit être considéré comme partie intégrante de la lave-vaisselles, en cas de transfert de propriété, doit toujours être remis au nouveau propriétaire.



Note

The information contained herein is valid at the time of going to print. The Company reserves the right to make any changes required by the future development of the above-mentioned products.

For your safety, as well as to preserve the warranty reliability and worth of your dishwashers, use original spare parts only. **For some codes a minimum quantity for order is required.**



Warning

This manual forms an integral part of the dishwashers and - if a transfer of title occurs - must always be handed over to the new owner.



Hinweis

Die Der Hersteller behält sich das Recht vor, jegliche, durch eine Weiterentwicklung der genannten Produkte bedingte Änderungen vornehmen zu können.

Verwenden Sie für Ihre Sicherheit, die Garantie, die Zuverlässigkeit und den Wert Ihrer machine originale Ersatzteile. **Für bestimmte Code nummer werden mindesten bestellungen verlangt.**



Achtung

Diese Betriebsanleitung ist Bestandteil des machine und muss bei seinem Weiterverkauf dem neuen Besitzer ausgehändigt werden.

1. Spare parts

General body parts.....	7
Lockup system	9
LP2E Control panel and switches.....	11
Electric control components.....	13
Solenoid valve group	15
Booster pump.....	17
DVGW	19
Rinse aid dispenser group.....	21
Boiler group	23
3 ways connection	25
Wash pump	27
Dosing detergent group.....	29
Dosing detergent group.....	31
Drain pump group.....	33
Pressure switch group with air trap ...	35
Turret group with rotating arms	37

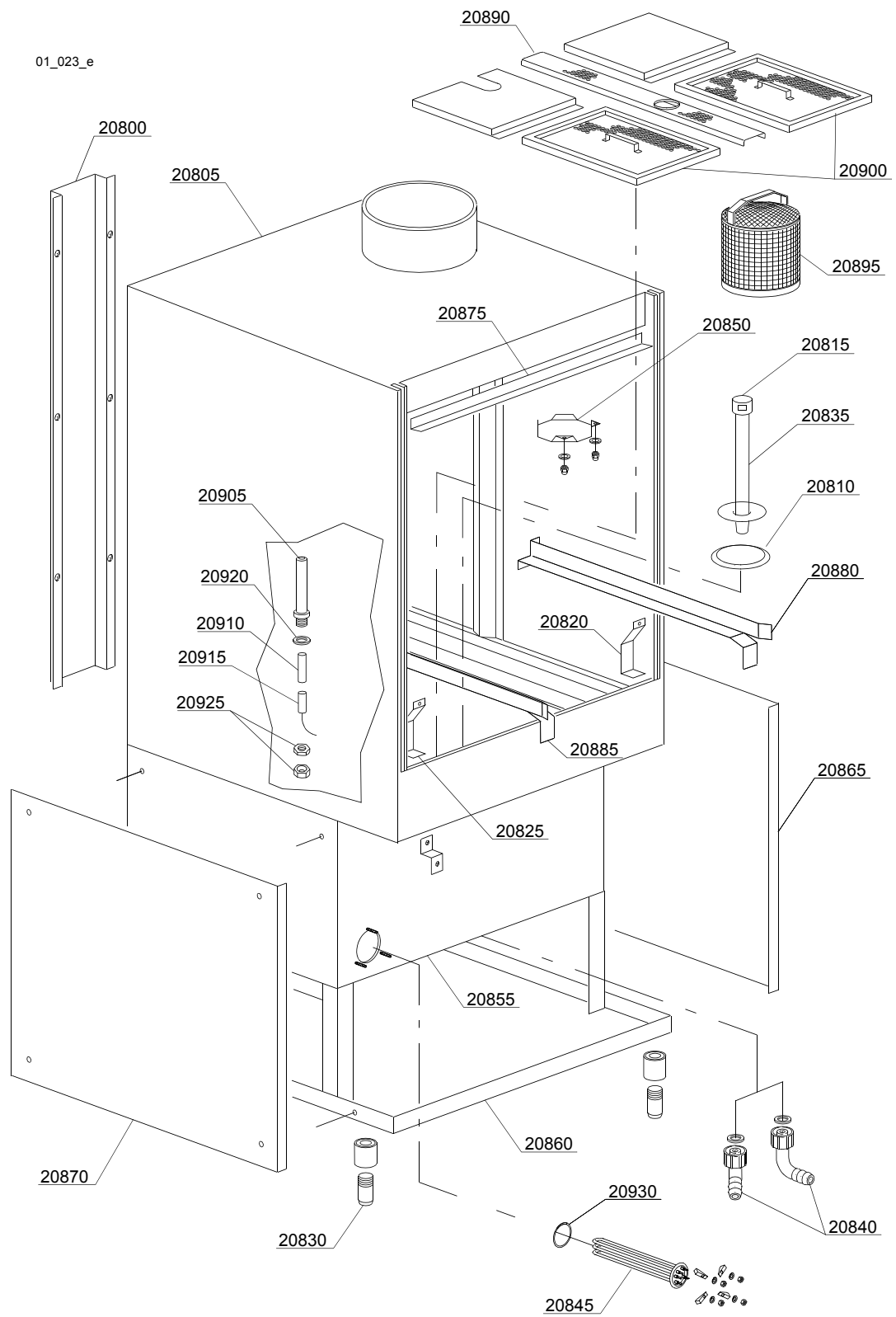
Turret group with rotating arms39

1.1 Voltage codes

Voltage code	Voltage
A	3/N/PE~400/230V 50Hz
B	~250V 16A 50Hz
C	3/N/PE~380/220V 50Hz
D	3/PE~200V 50-60Hz
F	2/PE 220-240V 50Hz
G	3/N/PE~415/240V 50Hz
H	3/PE~230V 50Hz
I	3/PE~220V 60Hz
J	3/PE~380 50Hz
K	3/PE~400V 50Hz
L	3/PE~415V 50Hz
M	3/PE~440V 60Hz
N	3/PE~460V 60Hz
O	3/PE~480V 60Hz
P	1/N/PE~220-240V 50Hz
R	2/PE~220-230V 60Hz
S	3/N/PE~400/230V 50Hz
T	3/PE~230V 60Hz

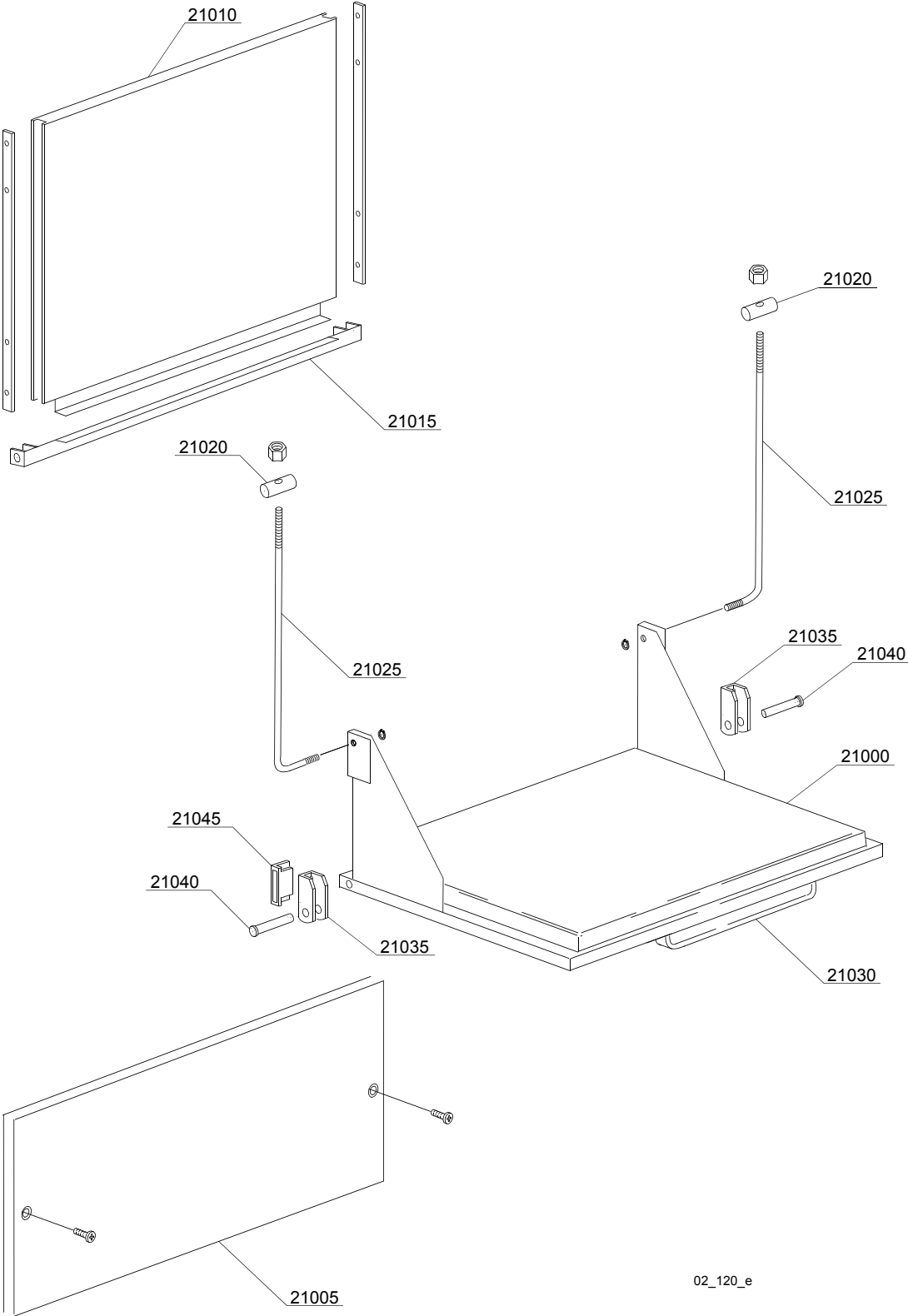
1.2 Product codes

Product code	Full name
Model codes	
e	ELECTRONICAL SWITCHES
mc	SIMPLE BODY VERSION
dc	DOUBLE BODY VERSION
Type codes	
18ER	18ER
Accessory codes	
pap	BOOSTER PUMP
dvgw	DVGW
dde	DETERGENT DISPENSER
ps	DRAIN PUMP



Spare parts

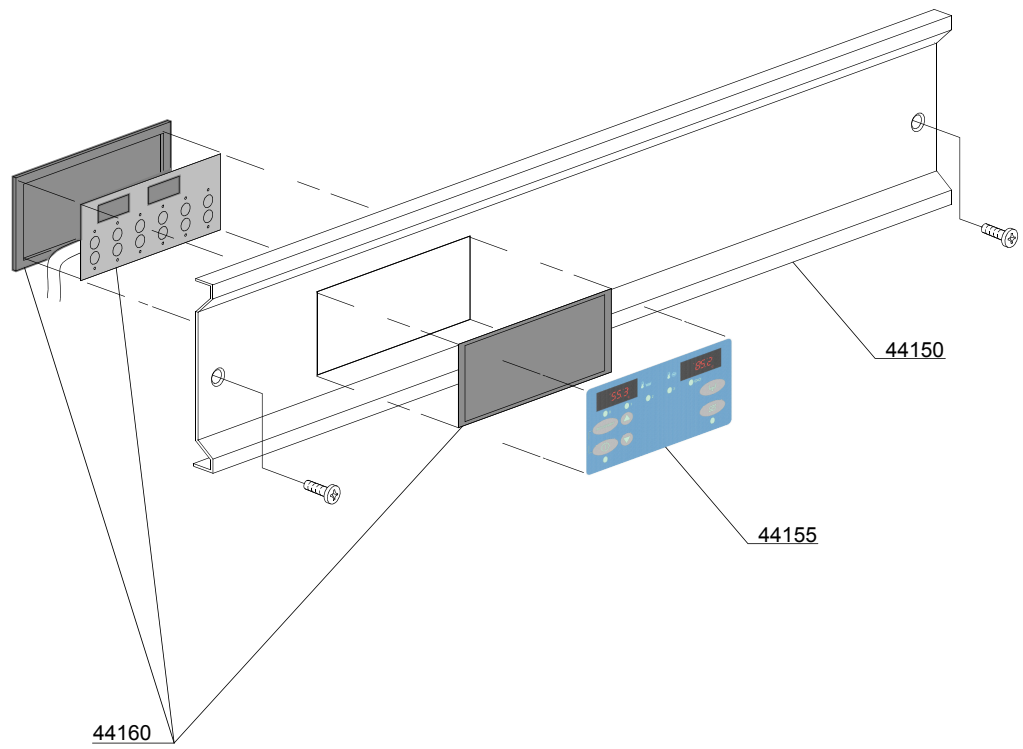
ID	P-code	Model	Type	Accessory	Voltage	Description
MODULE:General body parts						
20800	88907		18ER			Back panel
20805	80901		18ER			Complete structure
20810	11600002		18ER			Flange O-ring
20815	11600019		18ER			Terminal overflow pipe
20820	80936		18ER			Right splash guard
20825	80937		18ER			Left splash guard
20830	80116		18ER			"Foot 2"" M65 "
20835	80226		18ER			Overflow pipe
20840	15613		18ER			Elbow 1"
20845	30001010		18ER			Heating element 6 kW
20845	30001011		18ER			Heating element 9 kW
20845	30001011/C		18ER			9KW 254/440V heating element
20850	80931		18ER			Chimney splash guard
20855	80900		18ER			Tank
20860	80904		18ER			Frame base
20865	80907		18ER			Right side panel
20870	80908		18ER			Left side panel
20875	80935		18ER			Upper chimney
20880	80910		18ER			Right internal slide
20885	80911		18ER			Left internal slide
20890	80930		18ER			Sleeper holder-filter
20895	80720		18ER			Suction filter
20900	80721		18ER			Strainer plate
20905	88120		18ER			Sensor holder
20910	88120/A		18ER			Reed spacer
20915	2000309		18ER			Sensor
20920	10200171		18ER			Gasket 17x25x2
20925	22214		18ER			Nut



02_120_e

Spare parts

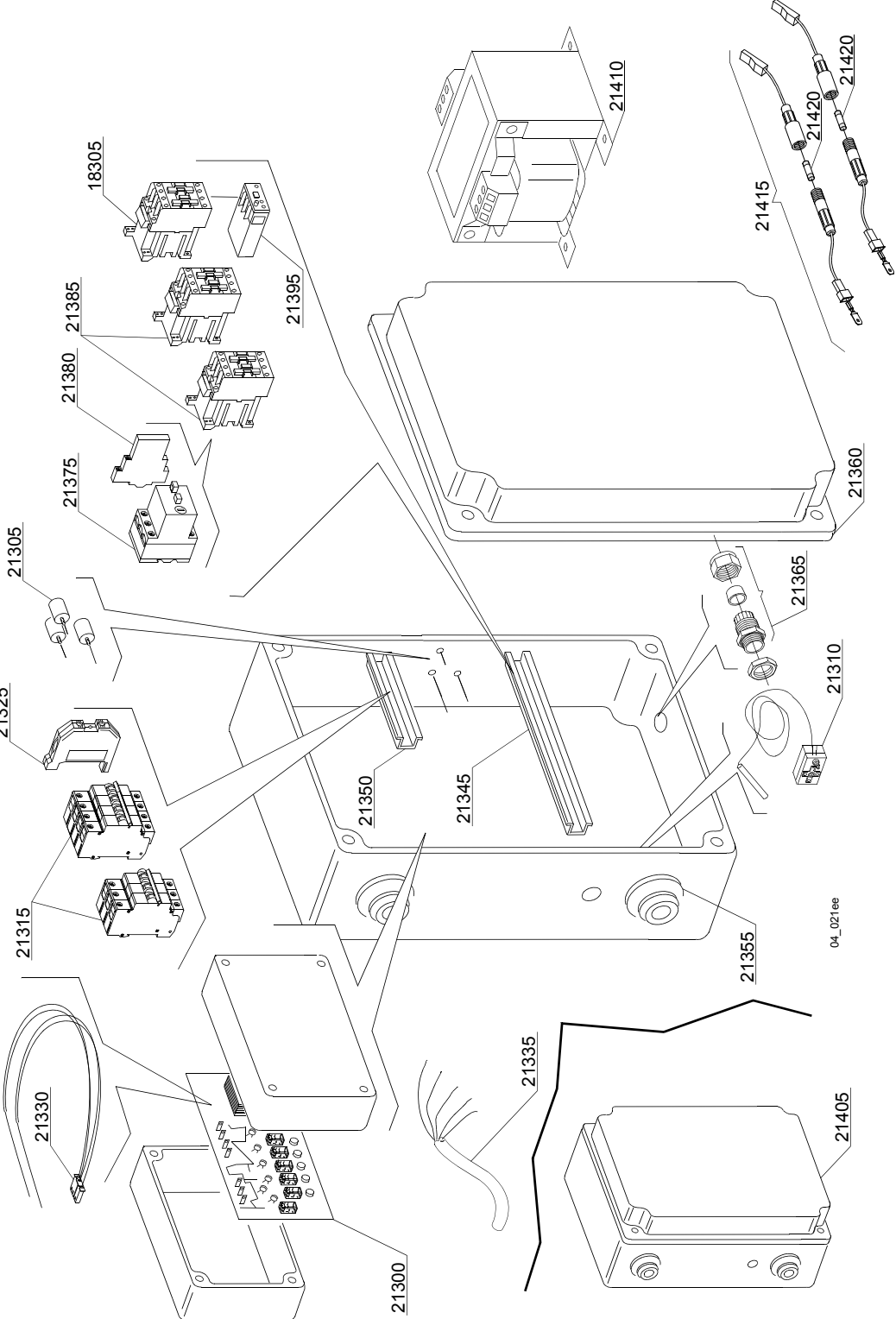
ID	P-code	Model	Type	Accessory	Voltage	Description
MODULE:Lockup system						
21000	80903		18ER			Lower door
21005	80906		18ER			Front panel
21010	80902		18ER			Upper door
21015	80938		18ER			Levers support
21020	22219		18ER			Pin
21025	22220		18ER			Door rod
21030	80750		18ER			Handle
21035	22206/B		18ER			Door hinge
21040	22220/A		18ER			Pin for door
21045	80232		18ER			Door magnet



03_049_e

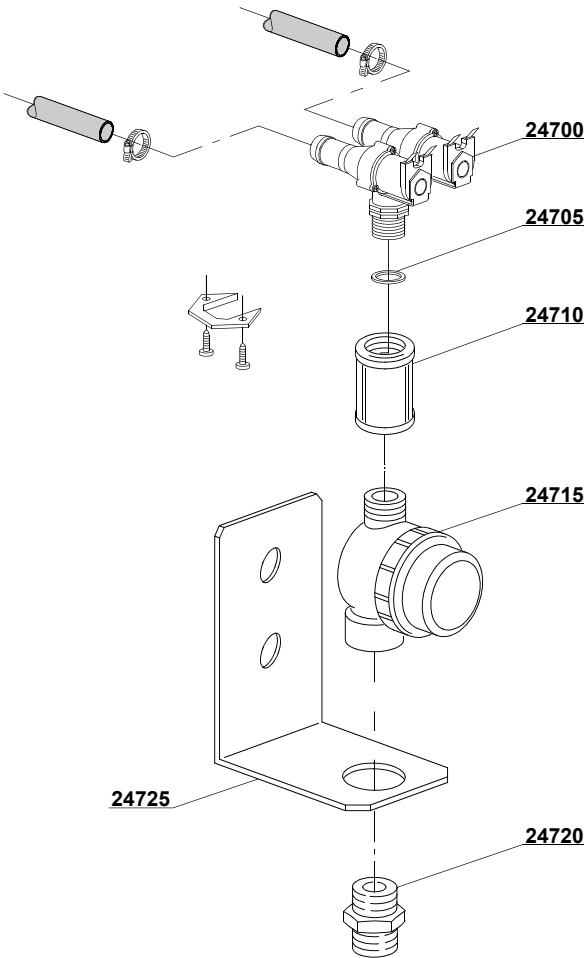
Spare parts

ID	P-code	Model	Type	Accessory	Voltage	Description
MODULE:LP2E Control panel and switches						
44150	80909		18ER			Stainless steel control panel
44155	50571		18ER	dp,ws		Silkscreen processed grill membrane push button-driven dp+ws
44155	50572		18ER			Silkscreen processed grill membrane push button-driven
44155	50575		18ER	dp,ws		Neutral Silkscreen processed grill membrane push button-driven dp+ws
44155	50576		18ER			Neutral Silkscreen processed grill membrane push button-driven
44155	50578		18ER	dp,ws		Silkscreen processed grill membrane push button-driven dp+ws
44155	50579		18ER			Silkscreen processed grill membrane push button-driven
44155	50577		18ER	dp,ws		Bobek Silkscreen processed grill membrane push button-driven dp+ws
44160	50570		18ER			Complete membrane push button-driver
44160	50570/A		18ER			LP Complete membrane push button-driver L=1500



Spare parts

ID	P-code	Model	Type	Accessory	Voltage	Description
MODULE:Electric control components						
21300	50569		18ER		A	Electroni card without chip
21305	15149		18ER			Filter F3
21305	15187		18ER			Low noise filter
21310	2000430		18ER			Thermostat
21315	2000409		18ER			Automatic fuse C40
21315	2000411		18ER			Automatic fuse C32
21325	10300401		18ER			Clamp
21330	50562		18ER			Sensor
21335	80200		18ER			Power supply cable 5x4x3400
21335	75359		18ER			4x6 flame-retardant cable
21345	80408		18ER			L=345mm slide
21350	80409		18ER			L=140mm slide
21355	80417		18ER			lead through rubber
21360	80407		18ER			Plastic box
21365	80414		18ER			Cable-press
21375	2000390		18ER			Motorprotector 1 - 1.6A
21380	3006080		18ER			Auxiliary contact LMS25
21385	10300050		18ER			Contactora 25A/12A 4NA 230V
21385	10300052		18ER			36A/20A contactora - 230V 50/60HZ
21385	10300054		18ER			Contactora 25A/16A 4NA 230V
21395	2907080		18ER			Relay 6-10A
21395	80150		18ER			9-15A temperature relay
21405	80101/A		18ER	e		Complete electric box for membrane push button-driver
21410	15384		18ER			500VA 0-230-400-415-440/230V transformer
21410	15381		18ER			160VA 0-230-400-415-440/230V transformer
21415	15147		18ER			5x20 fuse holder
21420	15161		18ER			5x20 1,6A fuse

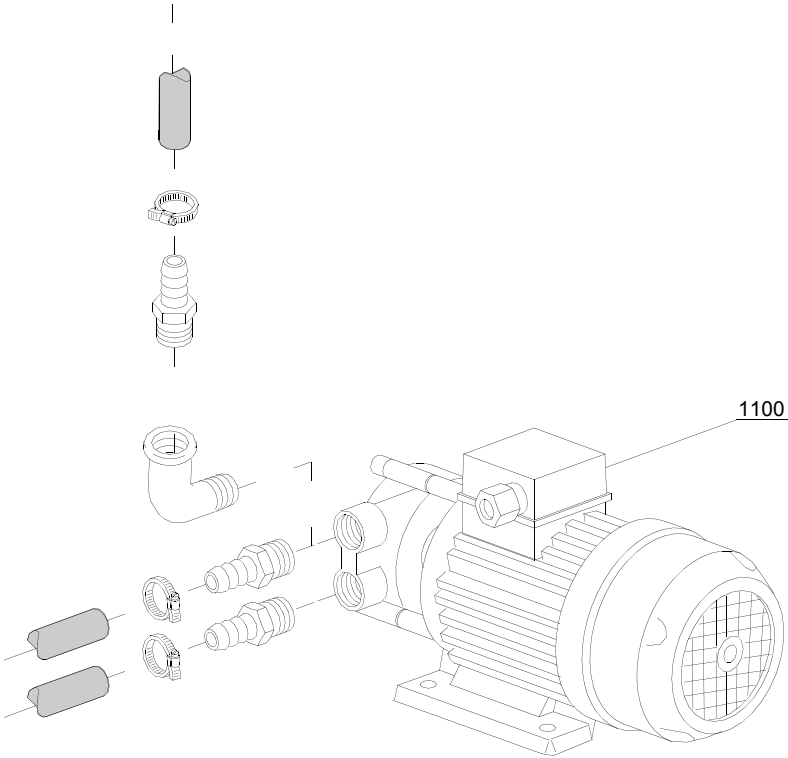


05_006_e

Spare parts

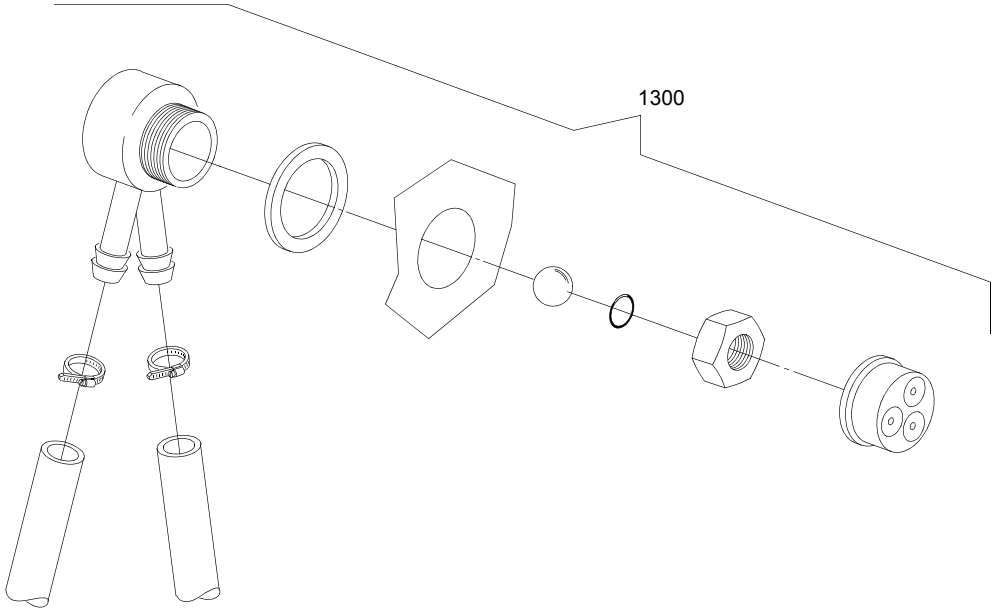
ID	P-code	Model	Type	Accessory	Voltage	Description
MODULE:Solenoid valve group						
24700	30001001		18ER			Solenoid valve
24705	N.C.		18ER			Pression reducing valve
24710	80275		18ER			Pipe coupling
24715	2000121		18ER			Filter
24720	12025		18ER			Coupling
24725	22236		18ER			Support

07_002_e



Spare parts

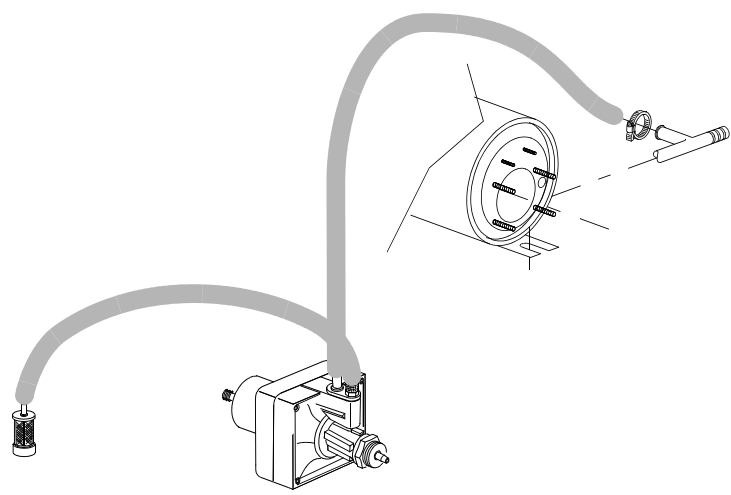
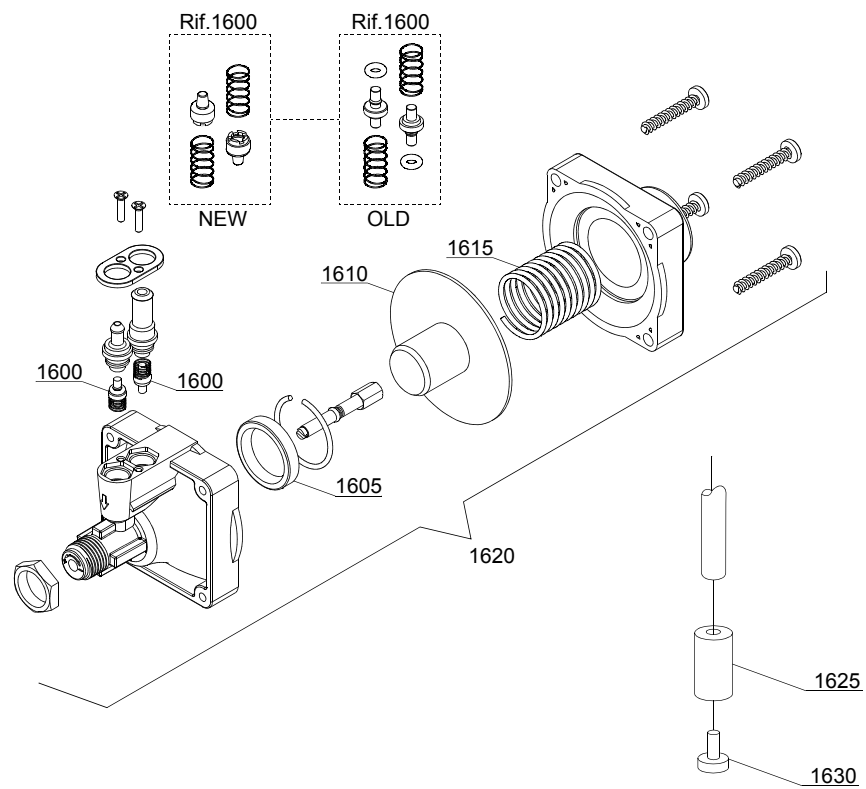
ID	P-code	Model	Type	Accessory	Voltage	Description
MODULE:Booster pump						
1100	15100		18ER	bp		Booster pump 230V
1100	15100/A		18ER	bp		Booster pump - 0,5HP 60Hz



08_005_e

Spare parts

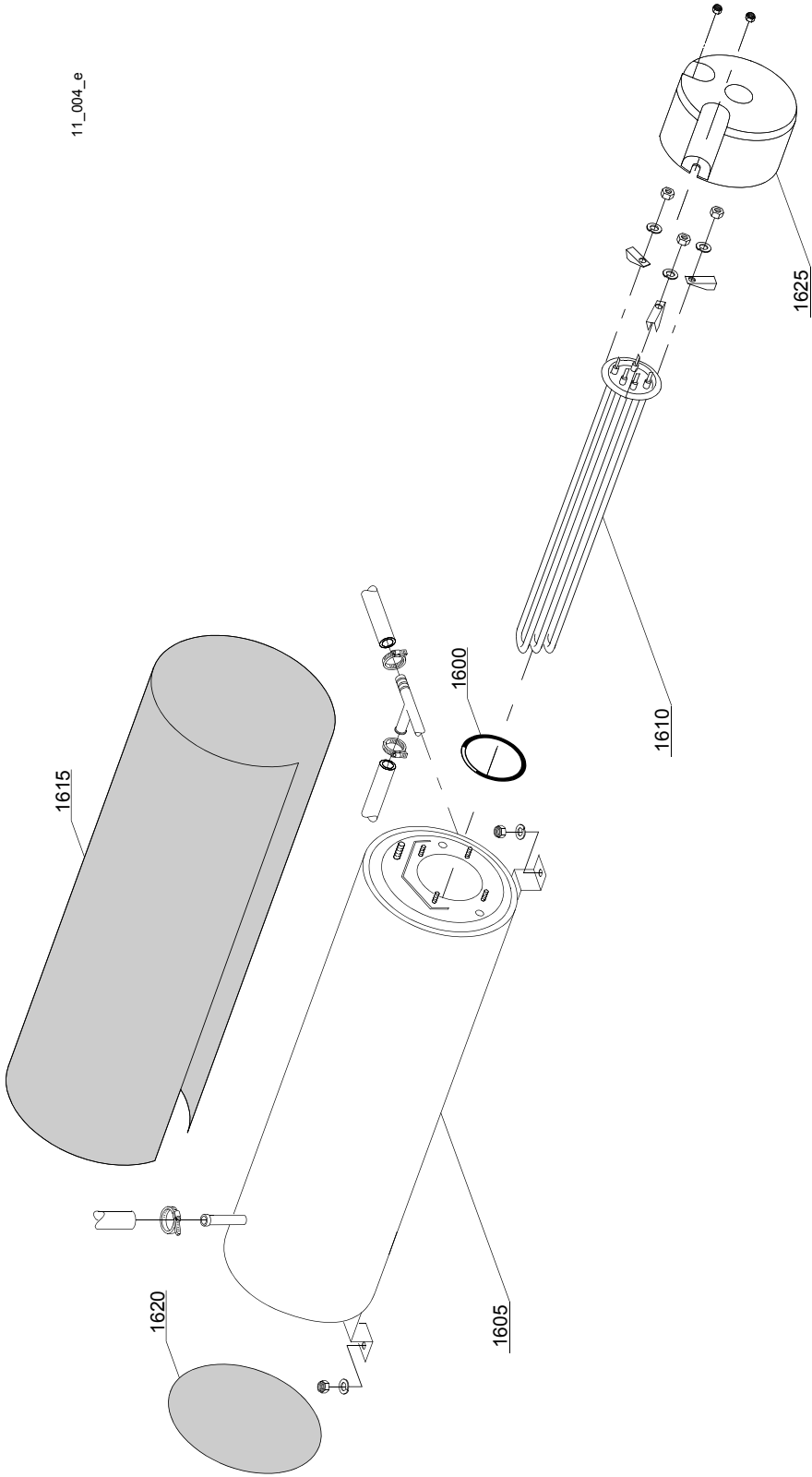
ID	P-code	Model	Type	Accessory	Voltage	Description
MODULE:DVGW						
1300	999900006		18ER	dvgw		DVGW assembly



10_003_e

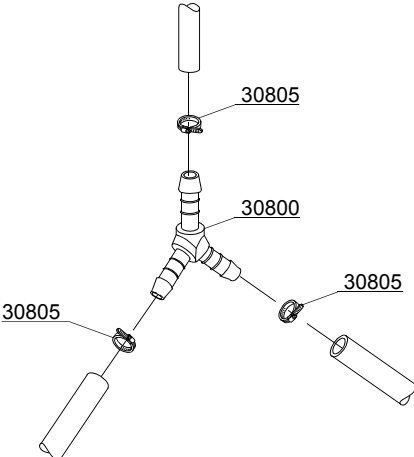
Spare parts

ID	P-code	Model	Type	Accessory	Voltage	Description
MODULE: Rinse aid dispenser group						
1600	10805		18ER			Tecnopro non return valve
1605	10806		18ER			Ø22 O-ring
1610	10807		18ER			Membrane
1615	10808		18ER			Spring
1620	10599999		18ER			Rinse aid pump
1625	12525		18ER			Counter-weight
1630	15058		18ER			Suction filter



Spare parts

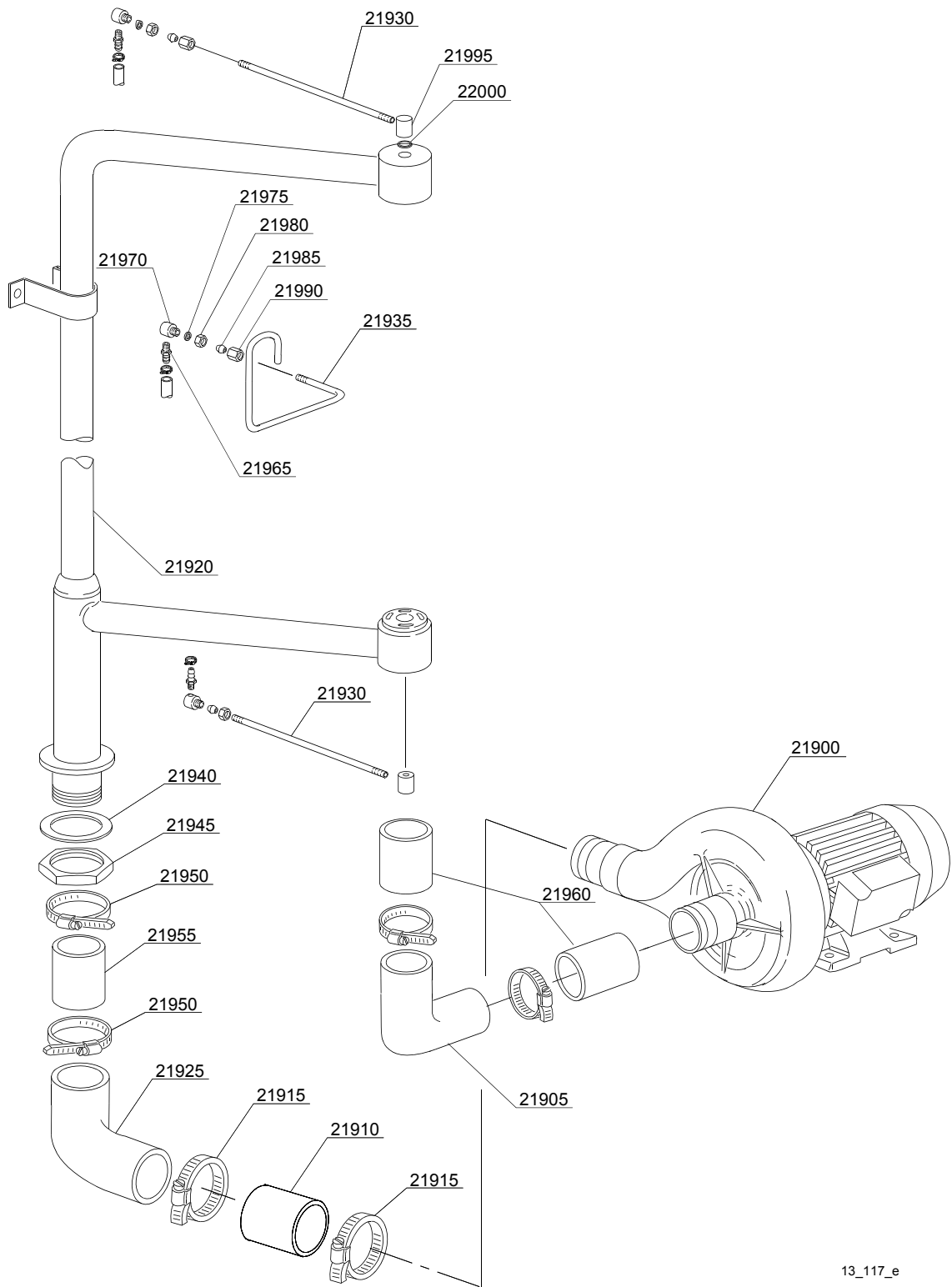
ID	P-code	Model	Type	Accessory	Voltage	Description
MODULE:Boiler group						
1600	13015		18ER			Gasket OR 6225
1605	80905		18ER			Boiler
1610	30001010		18ER			Heating element 6 kW
1610	30001011		18ER			Heating element 9 kW
1610	30001011/A		18ER			12/13,07KW 230/240V 3 heating element
1610	30001011/C		18ER			9KW 254/440V heating element
1615	30002030		18ER			Insulation boiler
1620	75205		18ER			Ø160 end piece
1625	75311		18ER			Casing



12_003ae

Spare parts

ID	P-code	Model	Type	Accessory	Voltage	Description
MODULE:3 ways connection						
30800	540091		18ER			Ø12 mm plastic 3 ways connection
30805	11807		18ER			Clamp 12-22

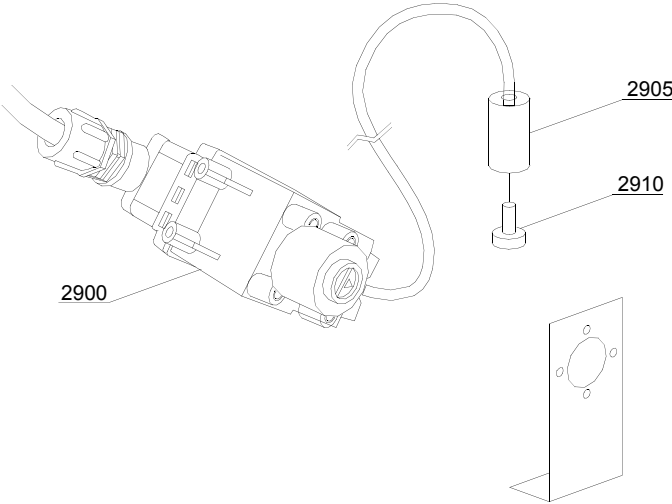
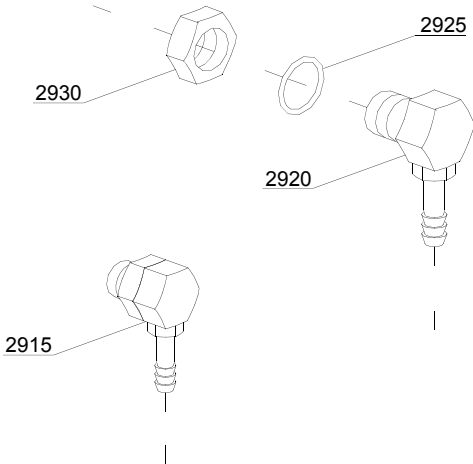


13_117_e

Spare parts

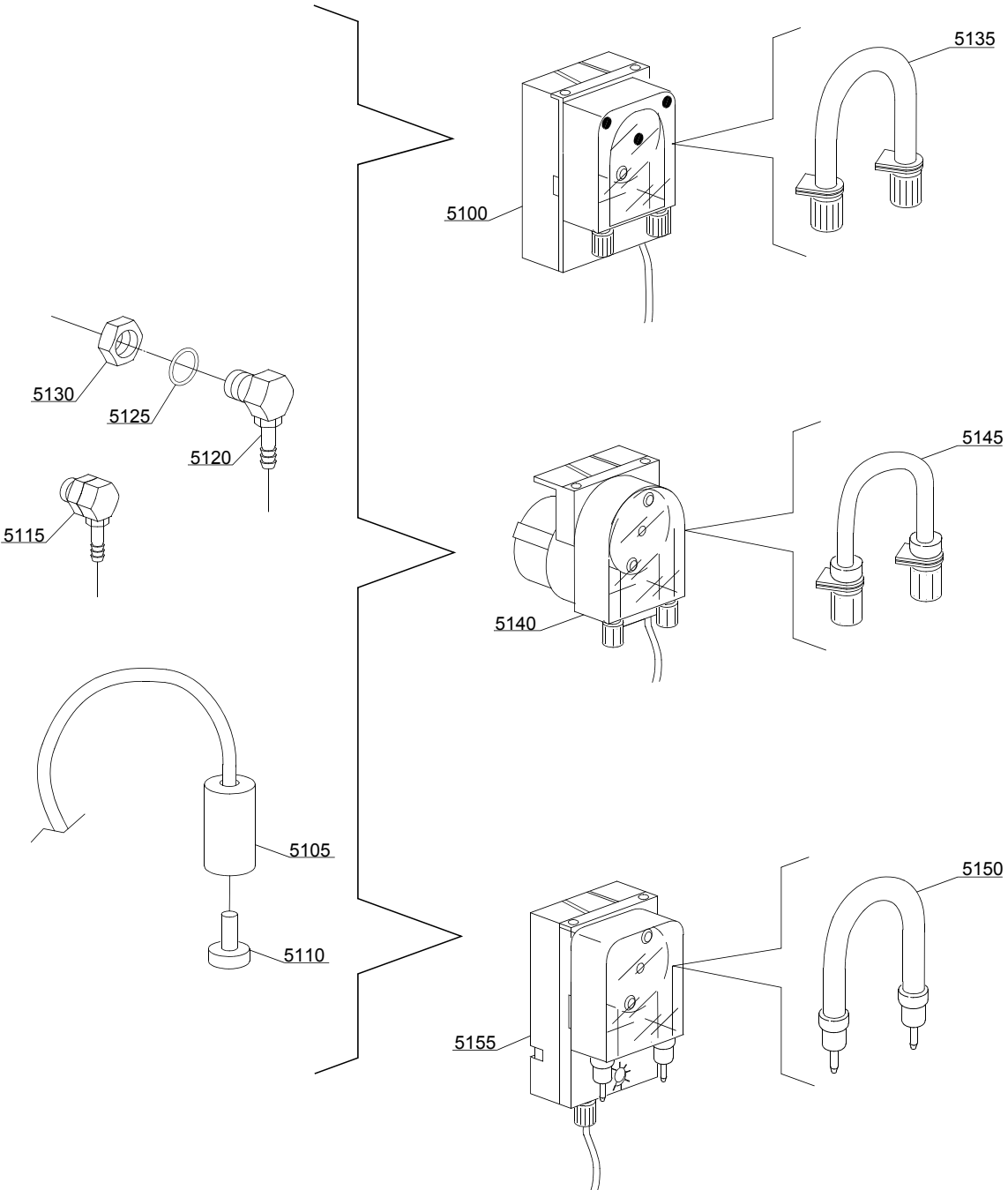
ID	P-code	Model	Type	Accessory	Voltage	Description
MODULE:Wash pump						
21900	80913		18ER			Pump
21900	80914		18ER			4Hp wash pump - 240/415V
21900	80916		18ER			4Hp wash pump - 60Hz
21905	80251		18ER			Suction elbow
21910	80501		18ER			Coupling pipe 94
21915	11837		18ER			Clamp 80-100
21920	80211		18ER			Wash ramp
21925	80252		18ER			Elbow
21930	80210		18ER			Rinse collector
21935	10200361		18ER			Filling pipe
21940	80208		18ER			95x75x3 O-ring
21945	80213/A		18ER			Ramp fixing nut
21950	2902491		18ER			Clamp 60-80
21955	80500		18ER			Coupling pipe 73
21960	80502		18ER			Coupling pipe 130
21965	12005		18ER			Rubber holder
21970	80231		18ER			Pipe fitting
21975	10200171		18ER			Gasket 17x25x2
21980	10200101		18ER			Nut
21985	10200182		18ER			Cone
21990	10600016		18ER			Nut
21995	10600202		18ER			Coupling
22000	13009		18ER			OR 2050 NBR O-ring

14_002_e



Spare parts

ID	P-code	Model	Type	Accessory	Voltage	Description
MODULE:Dosing detergent group						
2900	15108/L		18ER	dd		Lang detergent pump
2905	12525		18ER	dd		Counter-weight
2910	15058		18ER	dd		Suction filter
2915	15123		18ER	dd		Compleat plastic injector
2920	15148		18ER	dd		Steel injector
2925	15159		18ER	dd		OR O-ring
2930	10200205		18ER	dd		Nut m12x1

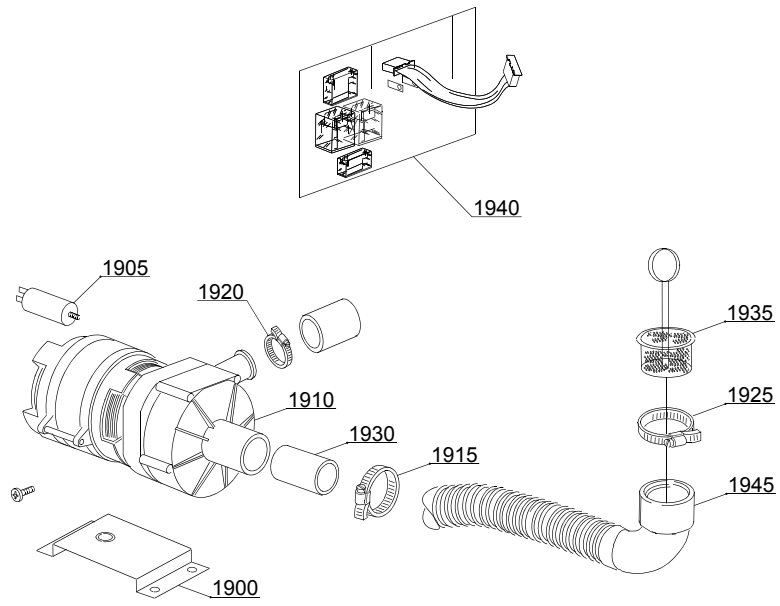


14_004_e

Spare parts

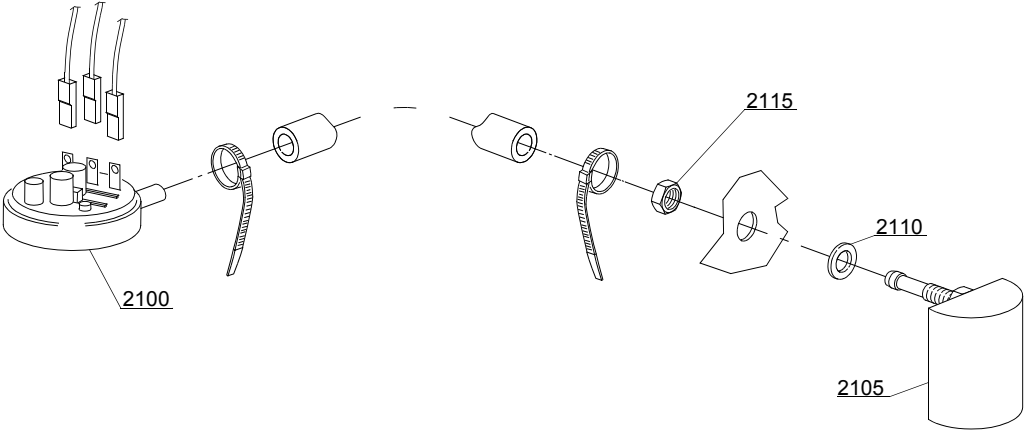
ID	P-code	Model	Type	Accessory	Voltage	Description
MODULE:Dosing detergent group						
5100	15985		18ER	sd,i,dd		Seko detergent pump
5105	12525		18ER	sd,i,dd		Counter-weight
5110	15058		18ER	sd,i,dd		Small filter
5115	15123		18ER	sd,i,dd		Compleat plastic injector
5120	15148		18ER	sd,i,dd		Steel injector
5125	15159		18ER	sd,i,dd		OR O-ring
5130	10200205		18ER	sd,i,dd		Nut m12x1
5135	15185		18ER	sd,i,dd		Ø 10 Seko thermoplastic pipe
5140	15985		18ER	sd,i,dd		Germac detergent pump
5145	15108/E		18ER	sd,i,dd		Ø 8Germac thermoplastic pipe
5150	15985/A		18ER	sd,i,dd		Ø 10 PLAS CONT thermoplastic pipe
5155	15985		18ER	sd,i,dd		PLAS CONT detergent pipe

15_003_e



Spare parts

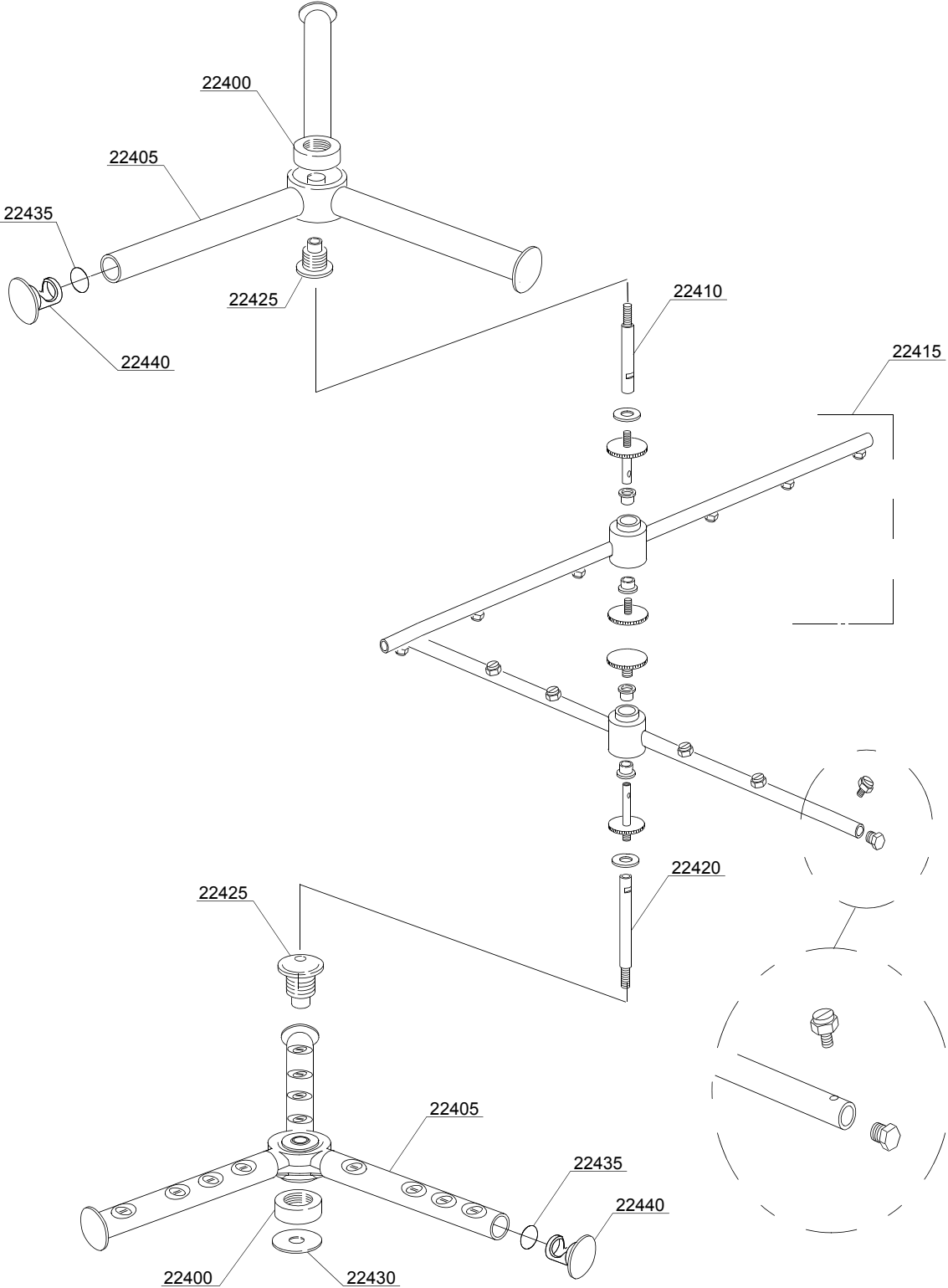
ID	P-code	Model	Type	Accessory	Voltage	Description
MODULE:Drain pump group						
1900	440122		18ER	dp		Pump support
1905	10702		18ER	dp		5 Uf Condenser
1910	10501/A		18ER	dp		190W 230V drain pump
1915	11806		18ER	dp		25/40 clamp
1920	11836		18ER	dp		20/32 clamp
1925	11809		18ER	dp		30/45 clamp
1930	18044		18ER	dp		Ø28 top wash pipe
1935	10200039		18ER	dp		Flow drain filter
1940	50567		18ER	dp		Relay card
1945	11600050		18ER	dp		Suction pipe



16_001_e

Spare parts

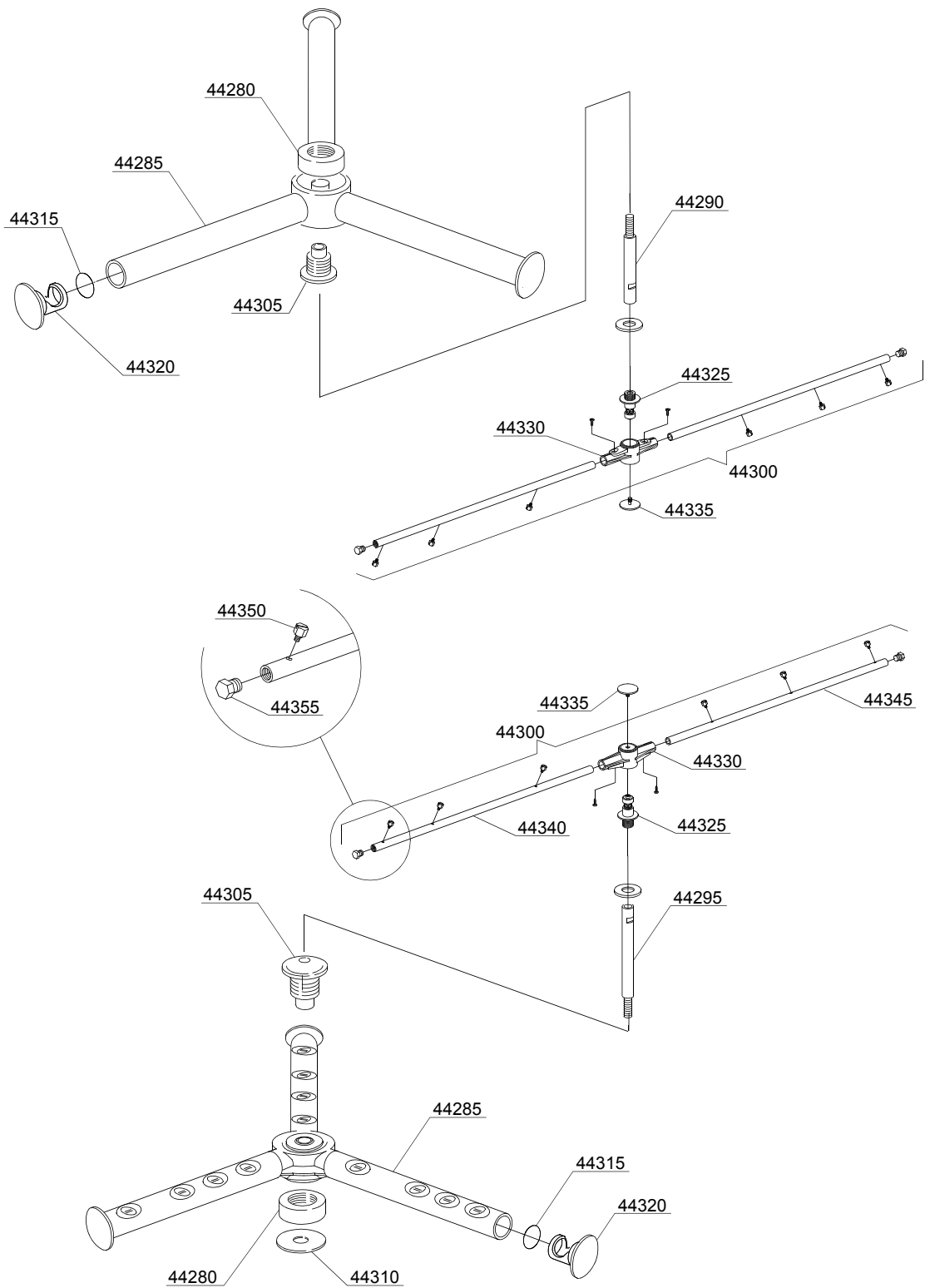
ID	P-code	Model	Type	Accessory	Voltage	Description
MODULE:Pressure switch group with air trap						
2100	80225		18ER			Pressure switch
2105	135911		18ER			Air trap
2110	13301		18ER			Gasket 14x8x1,5
2115	11702		18ER			Nut M8



17_115_e

Spare parts

ID	P-code	Model	Type	Accessory	Voltage	Description
MODULE:Turret group with rotating arms						
22400	80222		18ER			Nut for hub
22405	80218		18ER			Wash group
22410	80321		18ER			Top shaft
22415	90003		18ER			Rinse group
22420	80320		18ER			Lower shaft
22425	80221		18ER			Holder
22430	11600033		18ER			Flow reduction ring
22435	13023		18ER			O-ring
22440	3003029		18ER			Plug



17_130_e

Spare parts

ID	P-code	Model	Type	Accessory	Voltage	Description
MODULE:Turret group with rotating arms						
44280	80222		18ER			Nut for hub
44285	80218		18ER			Wash group
44290	80321		18ER			Top shaft
44295	80320		18ER			Lower shaft
44300	90003		18ER			Rinse group
44305	80221		18ER			Holder
44310	11600033		18ER			Flow reduction ring
44315	13023		18ER			OR O-ring 131 (4093) NBR
44320	3003029		18ER			Plug
44325	10651		18ER			Rinse axle
44330	10650		18ER			Rinse arm
44335	10652		18ER			Rinse arm screw
44340	10660		18ER			Left rinse arm - stainless steel nozzle
44345	10659		18ER			Right rinse arm - stainless steel nozzle
44350	560018		18ER			Stanless steel rinse nozle
44355	560017		18ER			Rinse arm plug