

Snackgeräte Heißluftofen

Artikel-Nr.
211043 (EKF464DUD/11020)

Explosionszeichnung / Ersatzteile

Bitte bei Ersatzteilbestellung immer Artikelnummer und Seriennummer mit angeben!

tipo documento:

ESPLOSO - EXPLODED VIEW - VUE ECLATEE - EXPLOSIONSPPLAN -
EXPLOSIONADO - VISTA EXPLODIDA

cod. identificazione

X:\Sgq\PRODOTTI\Fam.1 - FORNIFORNO
ELETTRICO\EKa\ESPLOSI - Forno Elettrico-40
60 90 - LEKa\Exploded view EKf464-411DUD
rev.0

titolo documento/identificazione:

EKF 464 - 411 D UD

data

26/02/14

revisione:

Prima emissione - Rev. 0

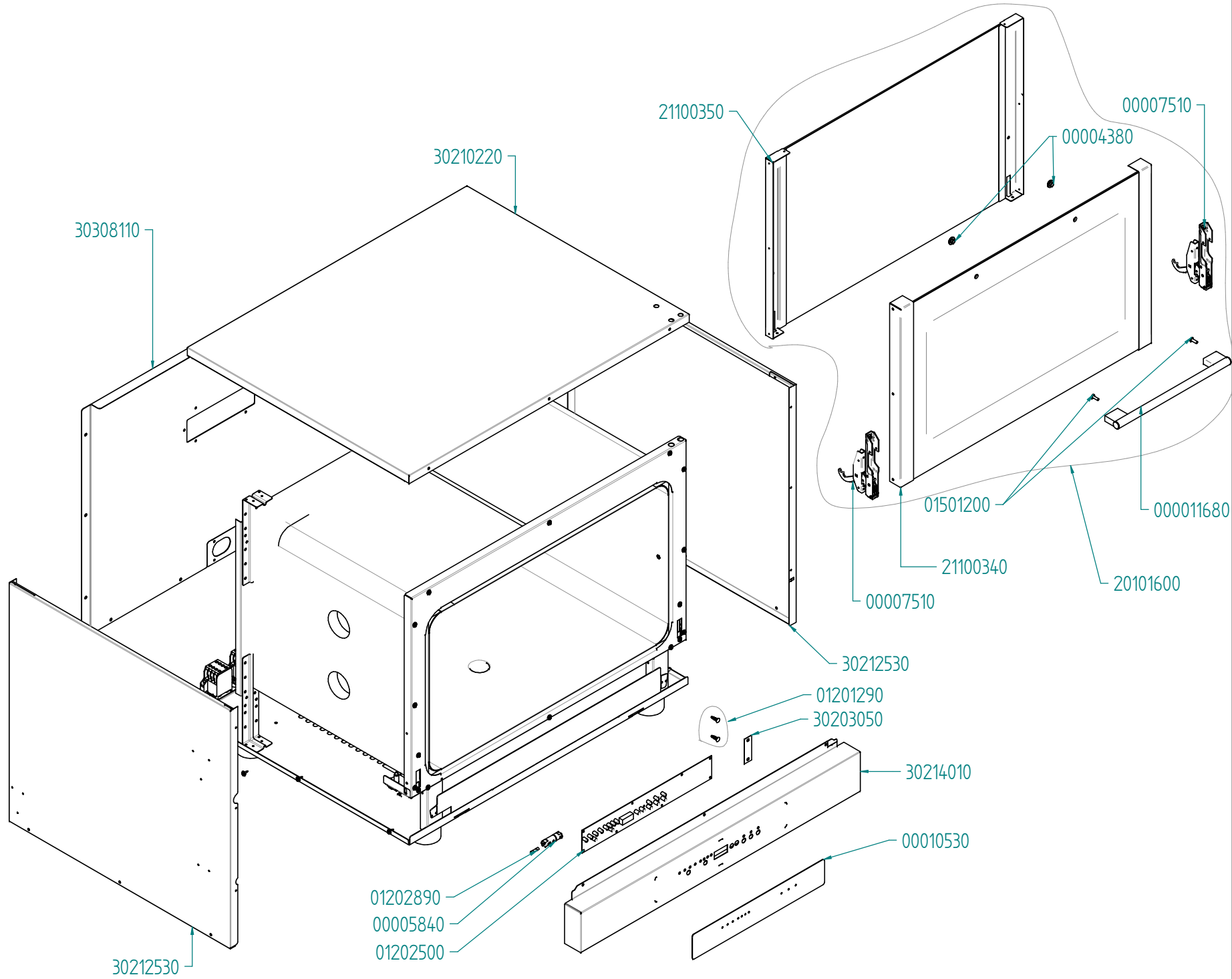
pag.

1/2

Preparazione: M.F. (DB)

Verifica: S.A. (DB3)

Approvazione: M.G. (RUT)



tipo documento:

ESPLOSO - EXPLODED VIEW - VUE ECLATEE - EXPLOSIONSPPLAN -
EXPLOSIONADO - VISTA EXPLODIDA

titolo documento/identificazione:

EKF 464 - 411 D UD

revisione:

Prima emissione - Rev. 0

Preparazione: M.F. (DB)

Verifica: S.A. (DB3)

Approvazione: M.G. (RUT)

cod. identificazione

X:\Sgn\PRODOTTI\Fam.1 - FORNIFORNO
ELETTRICO LEK\ESPLOSI - Forno Elettrico 40
60 90 - LEK\Exploded view EKF464-411DUD

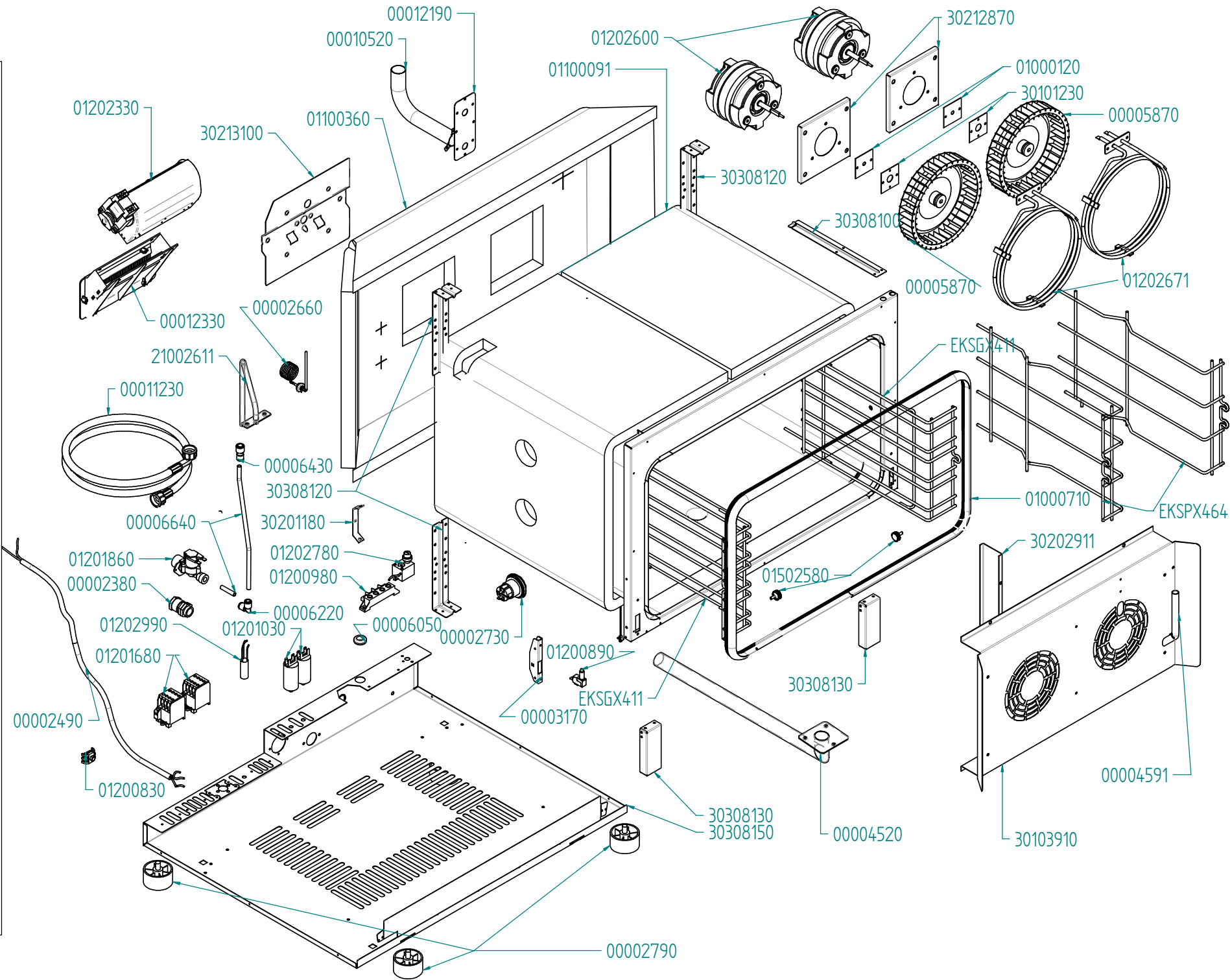
rev.0

data

26/02/14

pag.

2/2



Spare part list

Article : EKF464DUD COMBI OVEN, 4 TRAYS 60X40, DIGITAL CONTROL, DIRECT STEAM,
6,4kW

Tecnoeka srl reserves the right to change prices for commercial needs without notice

Code	Previous code	Description	UM	Used quantity
00013310		LAMP HOLDER COMPLETE WITH ALOGEN LAMP 6.3MM FEMALE FASTON AND FASTON COVER	NR	1,00
01000780		DOOR GASKET FOR 4T OVENS	NR	1,00
01000800	09989718000	EMBEDDED DOOR GASKET FOR EKF 41 1-464	NR	1,00
01200890	09950437000	MICROSWITCH RPL	NR	1,00
01201030	09951017000	CONDENSER 6,3µF	NR	2,00
01201680	.	TELECONTACTOR 20A 230V-50//60Hz	NR	2,00
01201860	11951377000	ELECTROVALVE FOR KF 630, KF 10 01G, KF 912, KF 965 E KF 981	NR	1,00
01202500	11951777000	ELECTRONIC CARD FOR DIGITAL OVENS WITH PREDISPOSITION TO CORE PROBE	NR	1,00
01202600		BIDIRECTIONAL MOTOR SINGLE PHASE 230V 50HZ 2 POLES P=120W	NR	2,00
01202671		CIRCULAR HEATING 230V 3000W	NR	2,00
20101600		COMPLETE GLASS DOOR - INSPECTIONABLE	NR	1,00
21002611		WELDING SET OUTSET PIPE + PLATE	NR	1,00