



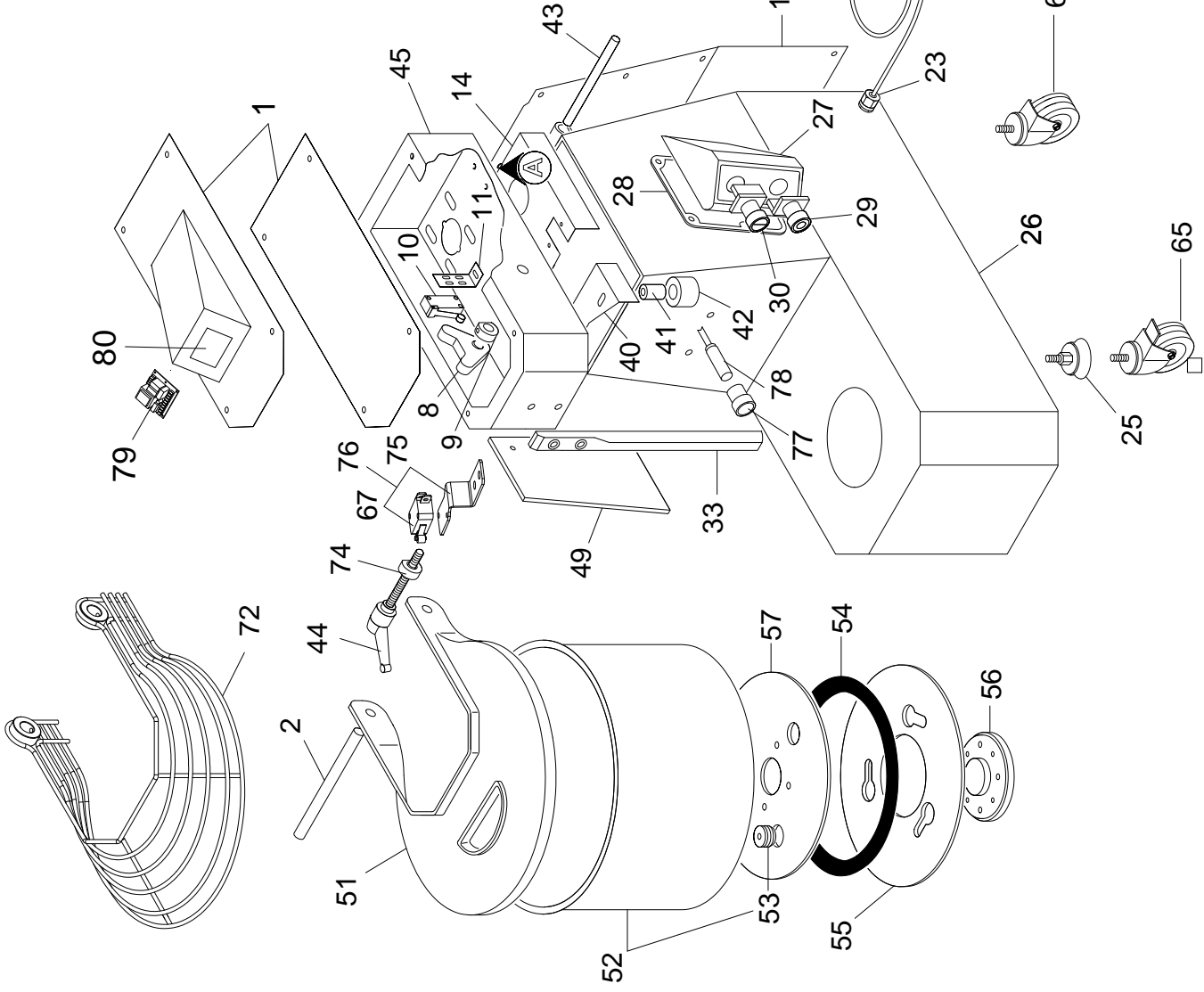
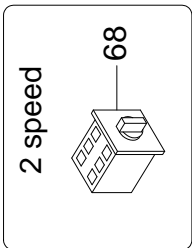
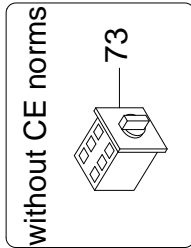
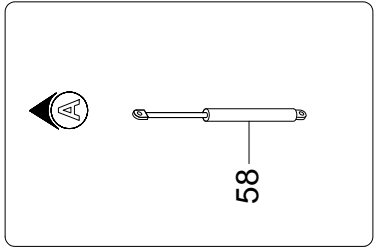
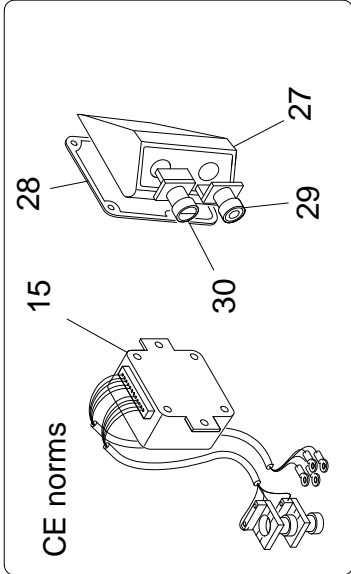
**Pizzeria
Teigkneiter**

Artikel-Nr.

512017 (25/FN), 512014 (38/FN),
512021 (25/CN), 512022 (38/CN)

Explosionszeichnung / Ersatzteile

Bitte bei Ersatzteilbestellung immer Seriennummer mit angeben!



IM25-38FN-CNS

Pos. Ref.	Codice Code		Caratteristiche Features		Descrizione Description
1	SL3334		(25FN-CNS)	Coperchio	Cover
1	SL0062		(38FN-CNS)	Coperchio	Cover
1	SL4144		Timer digitale (25FN-CNS)	Coperchio	Cover
1	SL4145		Timer digitale (38FN-CNS)	Coperchio	Cover
2	SL0076			Perno	Pivot
3	SL3365	●	1/2"x5/16" (25FN-CNS)	Catena	Chain
3	SL3438	●	1/2"x5/16" (38FN-CNS)	Catena	Chain
3	SL2684		01/04/07 f.p.(*) (38FN-CNS)	Catena	Chain
4	SL3264			Distanziale	Spacer
5	SL0118		6205 2RS	Cuscinetto	Bearing
6	SL0241		6005 2RS	Cuscinetto	Bearing
7	SL3261			Supporto	Support
8	SL0035			Battuta	Stop
9	SL0036			Camma	Cam
10	SL0885	●	CE norms	Microinterruttore	Microswitch
10	SL2701		without CE norms	Microinterruttore	Microswitch
11	SL0397			Staffa	Stirrup
12	SL0084		1/2"x5/16" Z=29	Pignone	Pinion
13	SL0086		UCF205	Supporto	Support
14	SL3335		(25FN-CNS)	Coperchio	Cover
14	SL3441		(38FN-CNS)	Coperchio	Cover
14	SL2606		01/04/07 f.p.(*) (38FN-CNS)	Coperchio	Cover
15	SA1210	●	400V/3Ph/50Hz	Impianto elettrico	Electric installation
15	SA1220	●	230V/1Ph/50Hz	Impianto elettrico	Electric installation
15	SL0988	●	400V/3Ph/50Hz timer digitale (25-38)	Impianto elettrico	Electric installation
15	SL0987	●	230V/1Ph/50Hz timer digitale (25-38)	Impianto elettrico	Electric installation
16	SL3367		(25FN-CNS)	Coperchio	Cover
16	SL2849		(38FN-CNS)	Coperchio	Cover
17	SL3265		1/2"x5/16" Z=15	Pignone	Pinion
18	SL1056		6x6x25	Linguetta	Key
19	SL3410		8x7x40	Linguetta	Key
20	SA1024			Albero	Shaft
20	SA1025		01/04/07 f.p.(*) (38FN-CNS)	Albero	Shaft
21	SL3338			Riduttore	Gear box
22	SL3311		400V/3Ph/50Hz	Motore	Motor
22	SL3214		230V/1Ph/50Hz	Motore	Motor
22	SL3315		400V/3Ph/50Hz (2 speed)	Motore	Motor
23	SL1668		PG11	Pressacavo	Cable clamp
24	SL1841		3Ph+Gnd	Cavo elettrico	Electric cable
24	SL1671		1Ph+N+Gnd	Cavo elettrico	Electric cable
25	SL3361	●		Piedino	Foot
26	SL3332		(25FN-CNS)	Base	Base
26	SL3437		(38FN-CNS)	Base	Base
26	SL3359		01/04/07 f.p.(*) (38FN-CNS)	Base	Base
27	SL0937			Scatola	Box
28	SL0396			Guarnizione	Gasket
29	SL0807	●	Stop	Pulsante	Push button
30	SL1049	●	Start	Pulsante	Push button
31	SL0100		3/8"x7/32" Z=85	Corona	Crown
32	SL3366	●	3/8"x7/32"	Catena	Chain
32	SL2686	●	01/04/07 f.p.(*) (38FN-CNS)	Catena	Chain
33	SL3371			Asta	Rod
34	SL0072			Albero	Shaft
35	SL0073		6004 ZZ	Cuscinetto	Bearing
36	SL0074			Supporto	Support
37	SL0103		3204	Cuscinetto	Bearing
38	SL0075		ø20	Seeger	Seeger
39	SA1030		Assembly	Spirale	Spiral
40	SL2604		(25FN-CNS)	Staffa	Stirrup
40	SL2605		(38FN-CNS)	Staffa	Stirrup
41	SL1090			Distanziale	Spacer
42	SL2655	●		Ruota	Wheel
43	SL2625			Perno	Pivot
44	SL2630	●		Leva	Lever
45	SL3333		(25FN-CNS)	Testata	Head
45	SL3435		(38FN-CNS)	Testata	Head
45	SL2577		01/04/07 f.p.(*) (38FN-CNS)	Testata	Head
46	SA1031		Assembly	Supporto	Support
47	SL1616		Ø25	Seeger	Seeger
48	SL3408		8x7x18	Linguetta	Key
49	SL4112		(25FN-CNS)	Protezione	Protection
49	SL2677		01/10/12 f.p.(*) (25FN-CNS)	Protezione	Protection
49	SL4113		(38FN-CNS)	Protezione	Protection
49	SL2678		01/10/12 f.p.(*) (38FN-CNS)	Protezione	Protection
50	SL2627			Supporto	Support
51	SA1006		Plastic (25FN-CNS)	Coperchio	Cover

51	SA1007		Plastic (38FN-CNS)	Coperchio	Cover
52	SA1170		(25CNS) Assembly	Pentola	Pan
52	SL0067		(25FN)	Pentola	Pan
52	SA1180		(38CNS) Assembly	Pentola	Pan
52	SL0068		(38FN)	Pentola	Pan
53	SL2623		(25-38CNS)	Perno	Pivot
54	SL1034		(25CNS)	Guarnizione	Gasket
54	SL1334		(38CNS)	Guarnizione	Gasket
55	SL2637		(25CNS)	Flangia	Flange
55	SL2634		(38CNS)	Flangia	Flange
56	SL2621		(25-38CNS)	Flangia	Flange
56	SL2867		(25-38FN)	Flangia	Flange
57	SL2636		(25-38CNS)	Flangia	Flange
58	SL2668			Molla	Spring
59	SA1047		Assembly	Supporto	Support
60	SL3206			Giunto	Joint
61	SL3204			Albero	Shaft
62	SL1632		1/2"x5/16"	Giunto	Joint
63	SL1629		3/8"x7/32"	Giunto	Joint
64	SL3482		ø95 M10x30	Ruota fissa	Fixed wheel
65	SL3483		ø95 M10x30	Ruota girevole	Revolving wheel
66	SA1800		Assembly	Supporto	Support
67	SL0885	●	CE norms IN 07/12	Microinterruttore	Microswitch
67	SL1401		CE norms 07/12 f.p.(*)	Microinterruttore	Microswitch
68	SL2743		2 speed (CE norms)	Commutatore di velocità	Speed changeover switch
68	SL3760		2 speed (without CE norms)	Commutatore di velocità	Speed changeover switch
69	SL3266			Albero	Shaft
70	SL0069	●		Spirale	Spiral
71	SL3404		400V/3Ph/50Hz	Motoriduttore	Geared motor
71	SL3405		230V/1Ph/50Hz	Motoriduttore	Geared motor
71	SL3406		400V/3Ph/50Hz (2 speed)	Motoriduttore	Geared motor
72	SL3419		Stainless steel (25FN-CNS)	Coperchio	Cover
72	SL3420		Stainless steel (38FN-CNS)	Coperchio	Cover
73	SL0054	●		Interruttore	Switch
74	SL4090			Camma	Cam
75	SL4089			Staffa	Stirrup
76	SA1140	●	Assembly	Microinterruttore	Microswitch
77	SL4119		(25CNS)	Protezione	Protection
77	SL4120		(38CNS)	Protezione	Protection
78	SL4103	●	(25-38CNS) Pentola	Sonda	Probe
79	SL4116		Timer digitale	Scheda elettronica	Electronic card
80	SL4125		Timer digitale	Etichetta	Label

(*): fuori produzione / out of production

● : ricambio consigliato / spare part suggested