



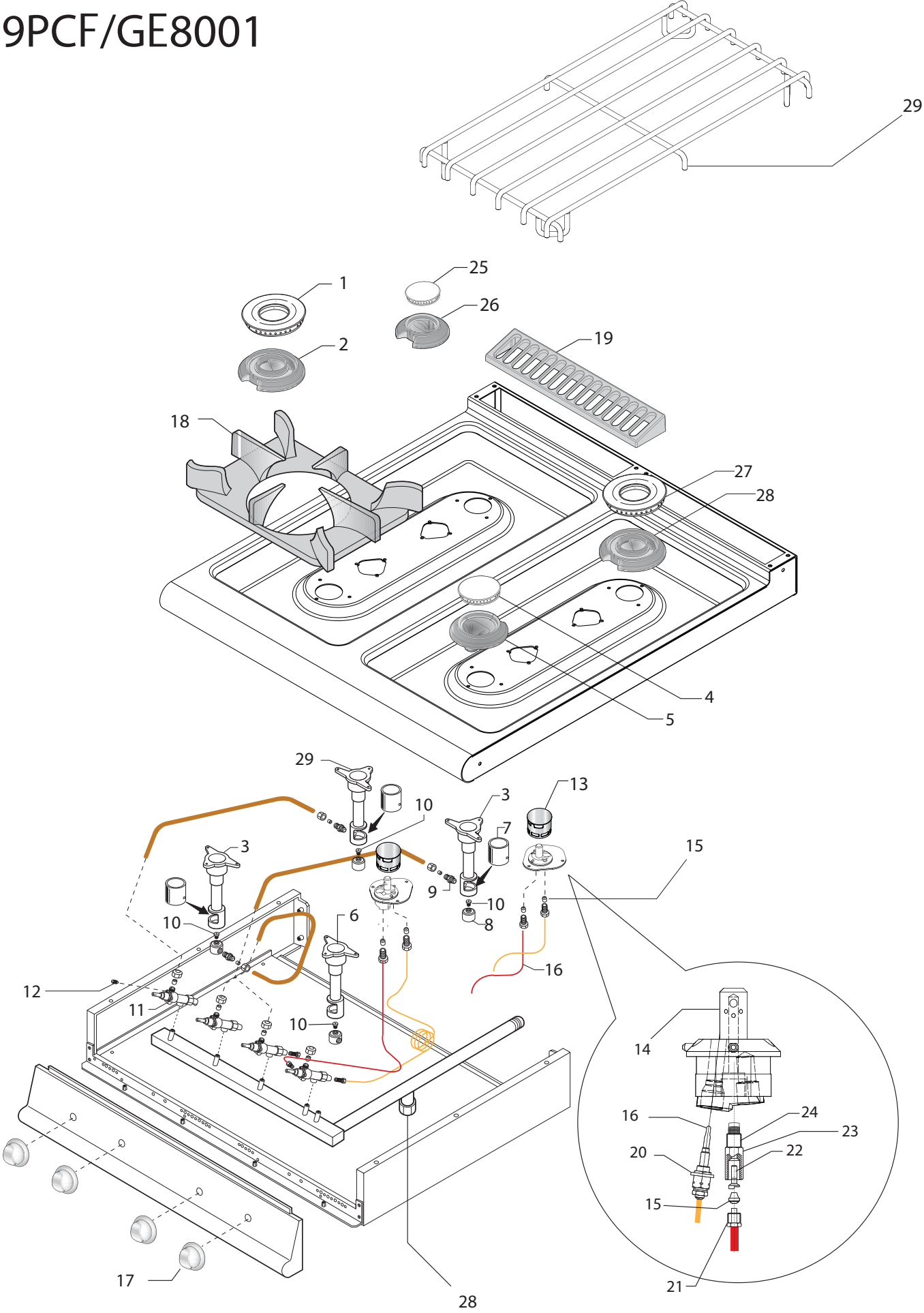
Thermische Geräte Serie 900 Gas-Herd

Artikel-Nr. 141005 (N9PCF/GE8001)

Explosionszeichnung / Ersatzteile

Bitte bei Ersatzteilbestellung immer Artikelnummer und Seriennummer mit angeben!

N9PCF/GE8001



Series 900
Gas range N9PCF/GE8001

Table_B

POS.	CODE	PIECES	DESCRIPTION	DATA	C
1	BN822410091	2	LARGE BURNER HEAD 7kW		
1	BN822410640	2	LARGE BURNER HEAD 10kW		
2	BN822410670	2	LARGE VENTURI DUCT		
3	BN822410032	2	LARGE BURNER BODY		
4	BN822410071	1	SMALL BURNER HEAD		
5	BN822410650	1	SMALL BURNER BODY		
6	BN822410012	1	SMALL VENTURI DUCT		
7	BN822120020	4	VENTURI AREATOR		
8	BN822160022	4	NOZZLE HOLDER		
9	BN822160031	4	NIPPLE FOR NUZZLE HOLDER		
10	TABLE_B	4	NOZZLE \varnothing 0,90		
11	CR0580450	4	GAL TAP PEL 21S		C
12	TABLE_B	4	MINIMUM ADJUSTING SCREW 0,55 (21 S)		
13	BN826350260	4	EXTENTION FOR PILOT		C
14	BN822160580	4	PILOT		C
15	BN6A016900	4	PILOT NOZZLE N 27		
16	MA1916000	4	QUICK THERMOCOUPLE M9X1 L=850		C
17	CR0932250	4	COCK KNOB (PEL 21S)		C
18	BN822410690	4	BURNER GRID 900		
19	CR0901240	2	EXHAUST GRID		
20	MA1891700	4	THERMOCOUPLE NIPPLE		C
21	BN6A017000	4	BICONE FITTING		
22	TABLE_B	4	PILOT NOZZLE METHANE		C
23	BN6A013104	4	PRIMARY AIR REGULATOR		
24	BN822160590	4	NOZZLE SEAT		
25	BN822410081	1	MEDIUM BURNER HEAD		
26	BN822410660	1	MEDIUM BURNER BODY		
27	BN822410022	1	MEDIUM VENTURI		
28	CR0585540	1	GAS VALVE PLUG		
29	BN826330180	2	DOUBLE BURNER HEAD GRID		

C >>> Recommended exchange

Series 900

Cucine a gas

Table_B

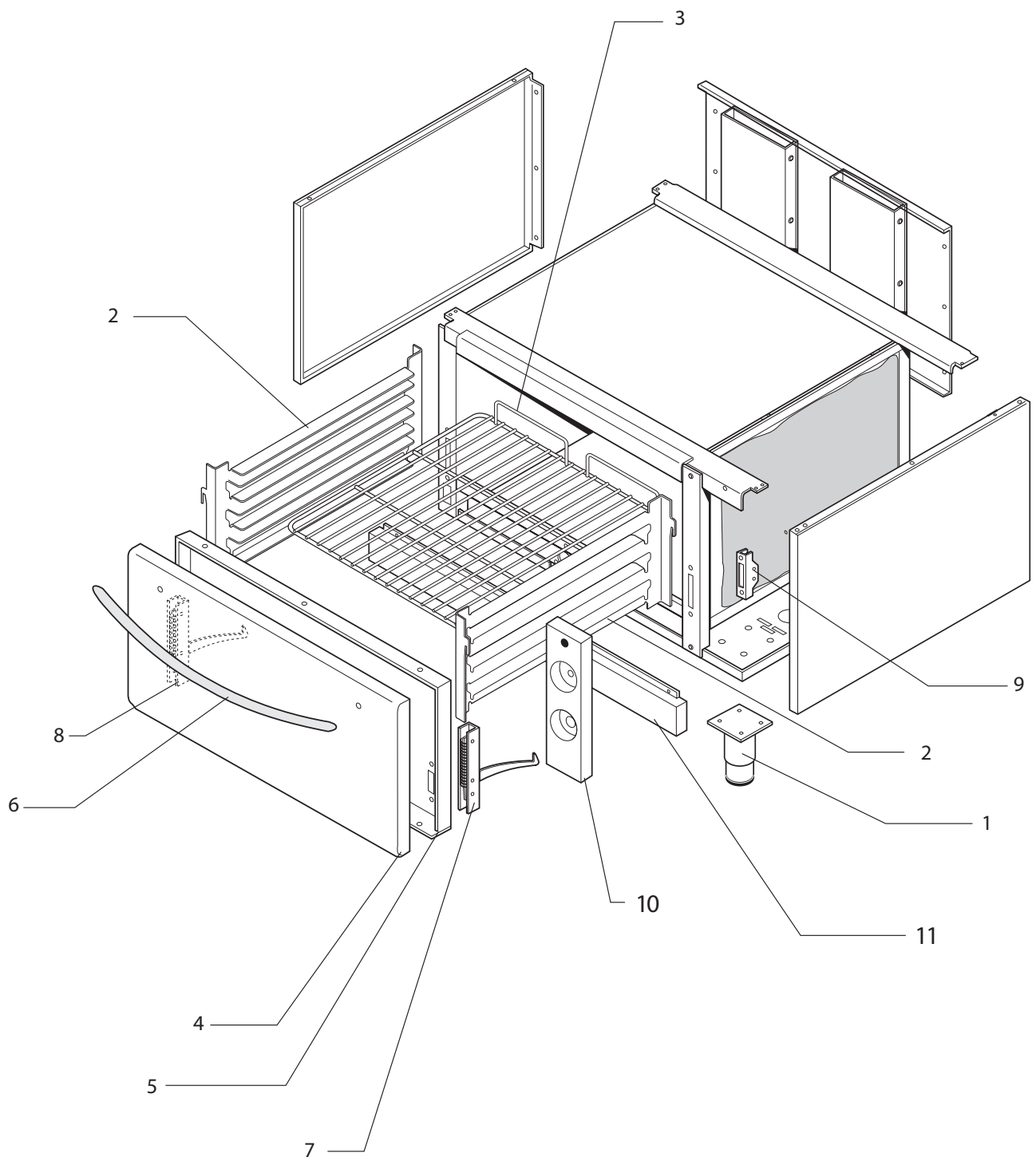
POS.	POT	COD.	QUANT	DIAM.	GAS
10	3,5 Kw	BN41822140620	1	ø 90	○
10	3,5 Kw	BN822140270	1	ø 80	●
10	3,5 Kw	BN822140170	1	ø 135	◻
10	3,5 Kw	BN822140170	1	ø 140	▲
10	3,5 Kw	BN41822140420	1	ø 150	▼
10	5,7 Kw	BN822140160	1	ø 120	○
10	5,7 Kw	BN822140630	1	ø 100	●
10	5,7 Kw	BN822140640	1	ø 175	◻
10	5,7 Kw	BN822140650	1	ø 185	■
10	5,7 Kw	BN822140580	1	ø 195	▼
10	7 Kw	BN822140030	2	ø 130	○
10	7 Kw	BN822140280	2	ø 115	●
10	7 Kw	BN822140580	2	ø 195	■
10	7 Kw	BN822140290	2	ø 205	▲
10	7 Kw	BN822140600	2	ø 215	▼
12	3,5 Kw	BN6A023722	1	ø 45 21S	●
12	3,5 Kw	MA1033720000	1	ø 55 21S	○
12	3,5 Kw	BN822450240	1	ø 80 21S	◻
12	3,5 Kw	MA1889000	1	ø 85 21S	▲
12	5,7 Kw	BN822450230	1	ø 75 21S	○
12	5,7 Kw	BN6A023723	1	ø 65 21S	●
12	5,7 Kw	BN6A023724	1	ø 115 21S	■
12	5,7 Kw	BN822450280	1	ø 120 21S	▲
12	7 Kw	BN6A023723	2	ø 65 21S	●
12	7 Kw	BN822450240	2	ø 80 21S	○
12	7 Kw	BN822450280	2	ø 120 21S	■
12	7 Kw	MA1889200	2	ø 130 21S	▲ ■
12	7 Kw	BN822450300	2	ø 135 21S	▼
22		BN6A013240	4	G27,2	◻ ▲ ▼ + ■
22		BN6A013230	4	G16,2	◻ ● ○

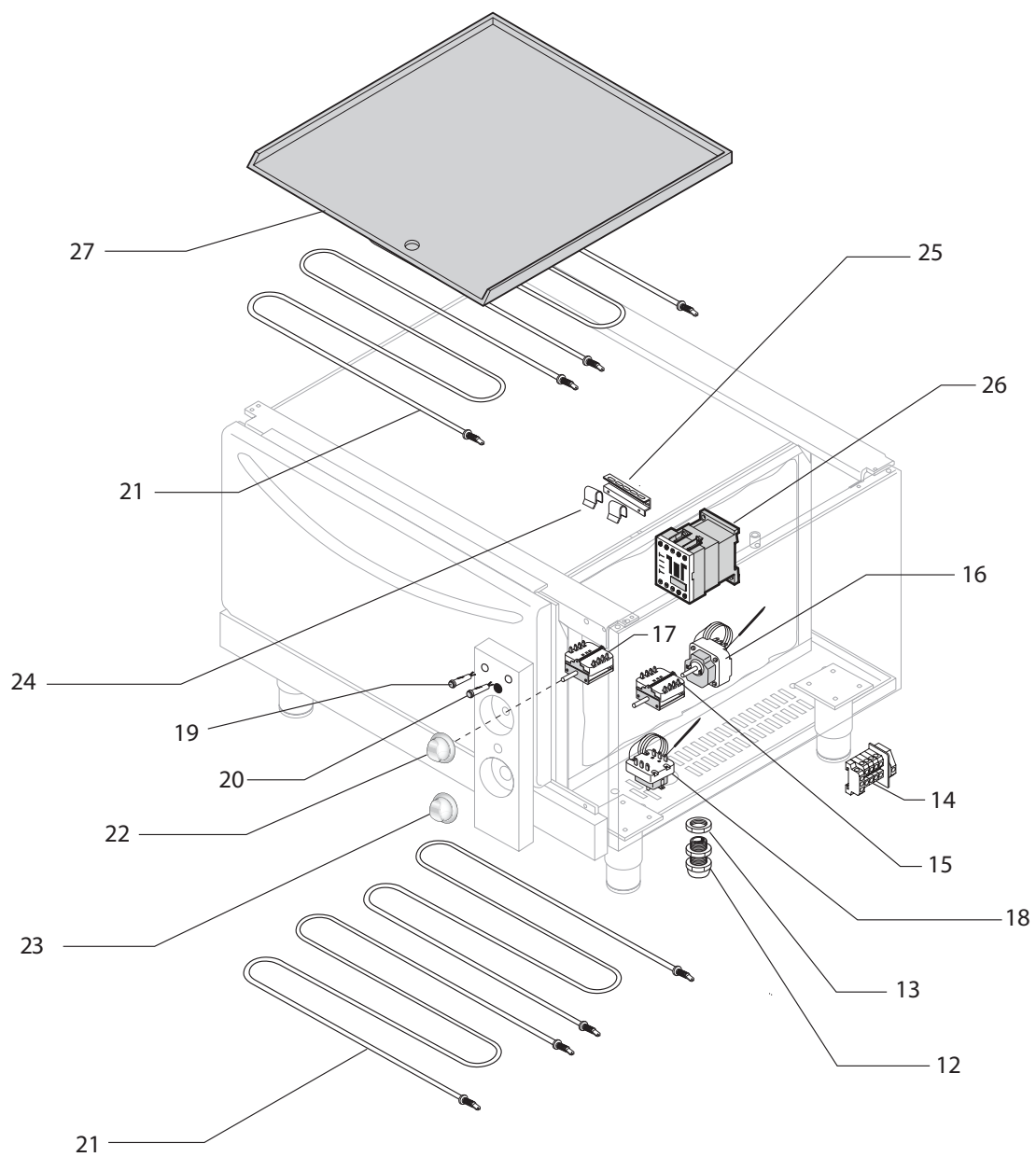
10	10 Kw	BN41822140420	2	ø 150	◻
10	10 Kw	BN822140190	2	ø 155	○
10	10 Kw	BN41822140180	2	ø 140	●
10	10 Kw	BN822140230	2	ø 235	◻
10	10 Kw	BN822140100	2	ø 245	▲
10	10 Kw	BN822140660	2	ø 260	▼
12	10 Kw	BN822450240	2	ø 80 21S	●
12	10 Kw	BN822450260	2	ø 90 21S	○
12	10 Kw	MA1889000	2	ø 85 21S	■
12	10 Kw	BN41822450360	2	ø 145 21S	◻
12	10 Kw	BN822450710	2	ø 180 21S	▼
12	10 Kw	BN822450700	2	ø 150 21S	▲
12	10 Kw		2	ø 135 21S	+

ID GAS | ● G30/50 ■ G30÷31/37 ○ G30/28÷37

◻ G20/20 ▲ G25/25 ▼ G25/20 ■ G25.1/25 + G20/25

G110 8mbar G120 8mbar





Series 900

Electric Oven

Table_A

POS.	CODE	PIECES	DESCRIPTION	DATA	C
1	MA6086113	4	FOOT ASSEMBLY		
2	BN821200100	2	GRID SUPPORT		
3	MA2306800	1	GRID		
4	BN821390011	1	OVEN DOOR		
5	BN821510011	1	LATER SPACE		
6	BN86430030	1	OVENS' HANDLE		
7	DN6A035910	1	R.H. OVEN HINGE		
8	BN6A035920	1	L.H. OVEN HINGE		
9	MA1304500	2	ROLL HOLDER FOR HINGE		
10	BN2547720	1	VERTICAL PANEL		
11	BN821740030	1	LOW PANEL		
12	BN6A025550	1	CABLE RETAINER		
13	MA1037114500	1	LOCK NUT		
14	BN6A035030	1	CABURTO THERMINAL BOARD		
15	BN6A046001	1	SWITCH		C
16	BN826630123	1	THREEFASE THORMOSTATE		C
17	MA1309000	1	EGO SWITCH		C
18	BN826630130	1	SAFETY THERMOSTATE		C
19	CR0903610	1	GREEN SIGNAL LAMP 230V		C
20	CR0587500	1	ORANGE SIGNAL LAMP 230V		C
21	BN826620041	4	OVEN HEATING ELEMENT		C
22	CR0902800	1	THORMOSTATE REGULATOR FOR KNOB		C
23	CR0902810	1	ENERGY REGULATOR FOR KNOB		C
24	BN821550010	2	CLIP FIXING BULB		
25	BN2541120	1	BULB PROTECTION		
26	BN6A047031	1	MICROSWITCH 20A		C
27	BN822420010	1	OVEN BOTTOM		

C >>> Recommended exchange