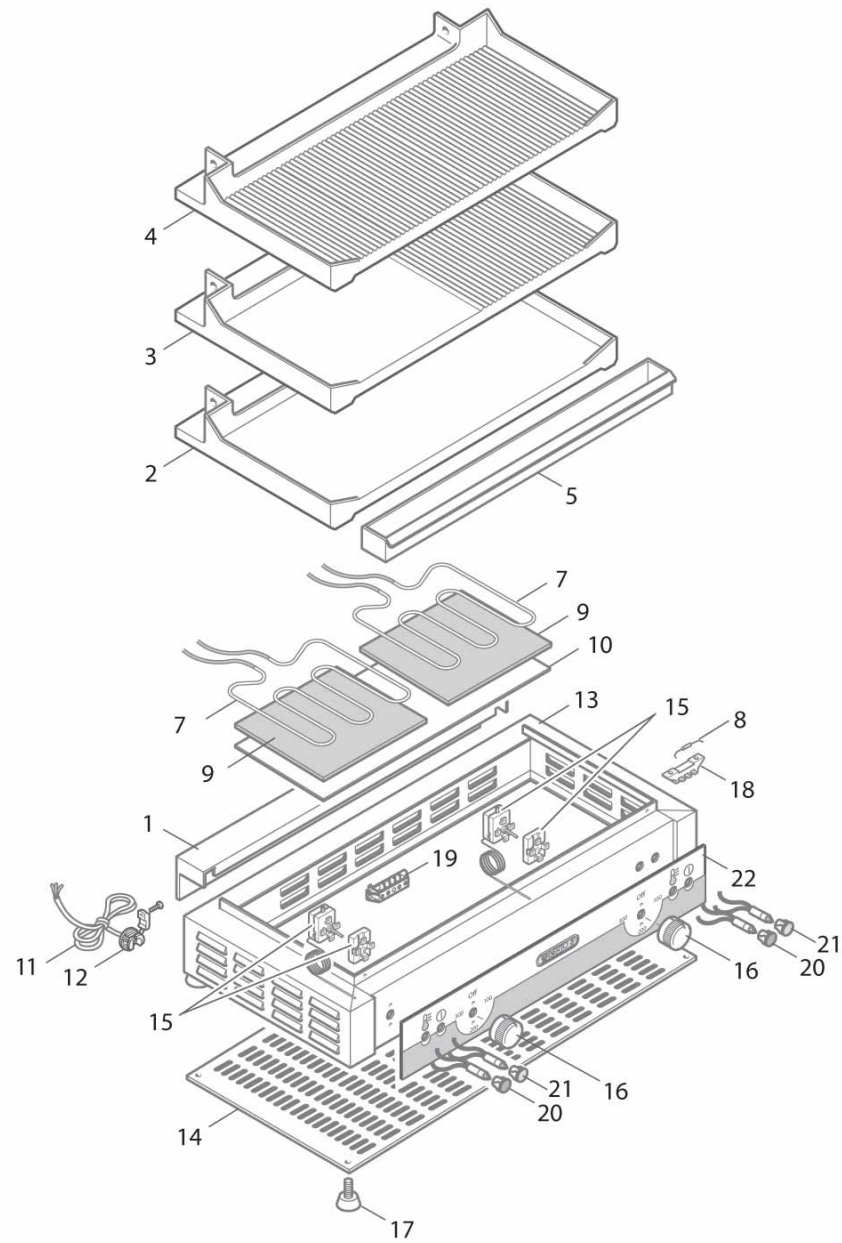




# PDT/R





PDT/R

Pos. Item	Codice Code	Descrizione	Item Description	Designation articles	Artikelbeschreibung	Decripción artículos	N° pezzi - No. pieces					
											PDT/R	
1	30791300	Carter pdt/lđ	Casing pdt/lđ	Ca. pdt/lđ	Ge. pdt/lđ	Ca. pdt/lđ						1
2	30842300	Fusione inferiore pdl/lđ	Lower smooth cast iron plate	Plaque inf. en fonte lisse	Glattes unteres gussstÜck	Placa inf. lisa en hierro fundido						-
3	30842100	Fusione inferiore pdm/lđ	Lower mixed cast iron plate	Plaque inf. en fonte mixte	Gemi. unteres gussstÜck	Placa inf. mixta en hi. fundido						-
4	30841800	Fusione inferiore pdr/lđ	Lower ribbed cast iron plate	Plaque inf. en fonte rainurÉE	Geriefetes unteres gussstÜck	Placa inf. est. en hierro fundido						1
5	30791900	Ass.cassetto racco. pd	Drip tray pd	Bac recueille-sauces pd	Sammeltrageplatte pd	Caşşecaldafangdehatoşpd						1
6	30193400	Tu. vetrotex d.5 l.250 mm	Glass tube	Tube verre	Isolierend kleines rohr fuer	Tubo vidrio						4
7	30023500	Res.inf.comp.1000w-230v ps/p	Resistance 1000w-230v ps/p	Resistance 1000w-230v ps/p	Un. heizkoerper 1000 w 230v	Resistencia 1000w-230v ps/p						2
8	30978100	Termofusibile 152°C - 15a	Thermofuse 152°C - 15a	Thermofusible 152°C - 15a	Thermoschmelzdraht 152°C - 15a	Termofusibile 152°C - 15a						2
9	30921800	Qua. isomart ps/pd-pm/vtr 210x170x4	Isomart panel 210x170x4	Tableau isomart 210x170x4	Isoli. trenner 210x170x4	Panel isomart 210x170x4						2
10	30868600	Lastra protez. ferro grande	Large protective sheet	Plaque de protection grande	Grosse schutzplatte	Placa de proteccion grande						1
11	30192400	Cavo 3x1.5 ps/pm	Power su. cable 3 x 1,5mm	Cable d'alim. 3 x 1,5mm	Versorg. 3 x 1,5mm	Cable de alime. 3x1,5 mm.						1
12	30186500	Passacavo (6k 100 bs)	Cable guide	Passe-cÅble	KabelfÜhrung	Aislador pasapanel 6k 100 bs						1
13	30863700	Ass.involucro base pd/lđ-vtr-st-sx	Base enc. pd/lđ-vtr-st-sx	Couv. base pd/lđ-vtr-st-sx	HÜlle basis pd/lđ-vtr-st-sx	Env. base pd/lđ-vtr-st-sx						1
14	30837500	Fondo per pd/lđ-st-sx-vtr	Bo. pd/lđ-st-sx-vtr	Fond pd/lđ-st-sx-vtr	Bodenplđ/lđ-st-sx-vtr	Fondopđ/lđ-st-sx-vtr	fondo pd/lđ-st-sx-vtr					1
15	30064600	Termostato 270°C. + commutatore	270°C thermostat + cycle selector	Ther. 270°C + commutateur de cycle	Ther. 270°C + umschalter zyklus	Termostato 270°C + conmutador						2
16	35877200	Man. rossa p. 6x4.6 a o° ral3000	Red knob p. 6x4.6 a o° ral3000	Ma. rouge p. 6x4.6 a o° ral3000	Drehknopf p. 6x4.6 a o° ral3000	Mando rojo p. 6x4.6 a o° ral3000						2
16	35876200	Manopola rossa p. 6x4.6 a o°	Red knob 6x4.6 o° c	Manette rouge 6x4.6 o° c	Drehknopf 6x4.6 o° c	Mando rojo 6x4.6 o° c						2
17	30684100	Piedi. d.30xm8condado basso h.6mm	Foot h.6mm	Pied h.6mm	Fuss h.6mm	Pata h.6mm						4
18	30184800	Morsettiera laterale fv 77/3	Lateral terminal board fv 77/3	Bornier latÉral fv 77/3	Sei. klemmenleiste fv 77/3	Bornera lateral fv 77/3						2
19	30183800	Morsettiera a 3 poli fv 110 b	Terminal board 3 poles	Bornier 3 poles	Klemmenleiste	Bornera 3 polos						1
20	30168500	Spia arancio 230v d.10mmt150Ø	Orange lamp 230v	Temoin lumineux orange 230v	Orange kontrollampe 230v	Piloto naranja 230v						2
21	30168800	Spia verde 230v d.10mmt150Ø	Green lamp 230v	Temoin lumineux vert 230v	Grüne kontrollampe 230v	Piloto verde 230v						2
22	30899900	Pan. piastra doppia bertos	Berto's adhesive panel	Panneau adhÉsif bertos	Haftendes paneel bertos	Panel adhesivo bertos						1