

0041209
0041208
0304470
0304472

0080150
0020300

0304454

0206720(Jumbo 35)
0206730(Jumbo 42)

0305505

0305000

0305015

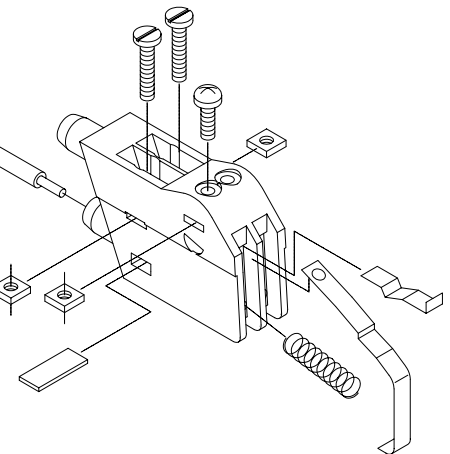
0330025


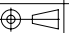
0304400
0330020(L)

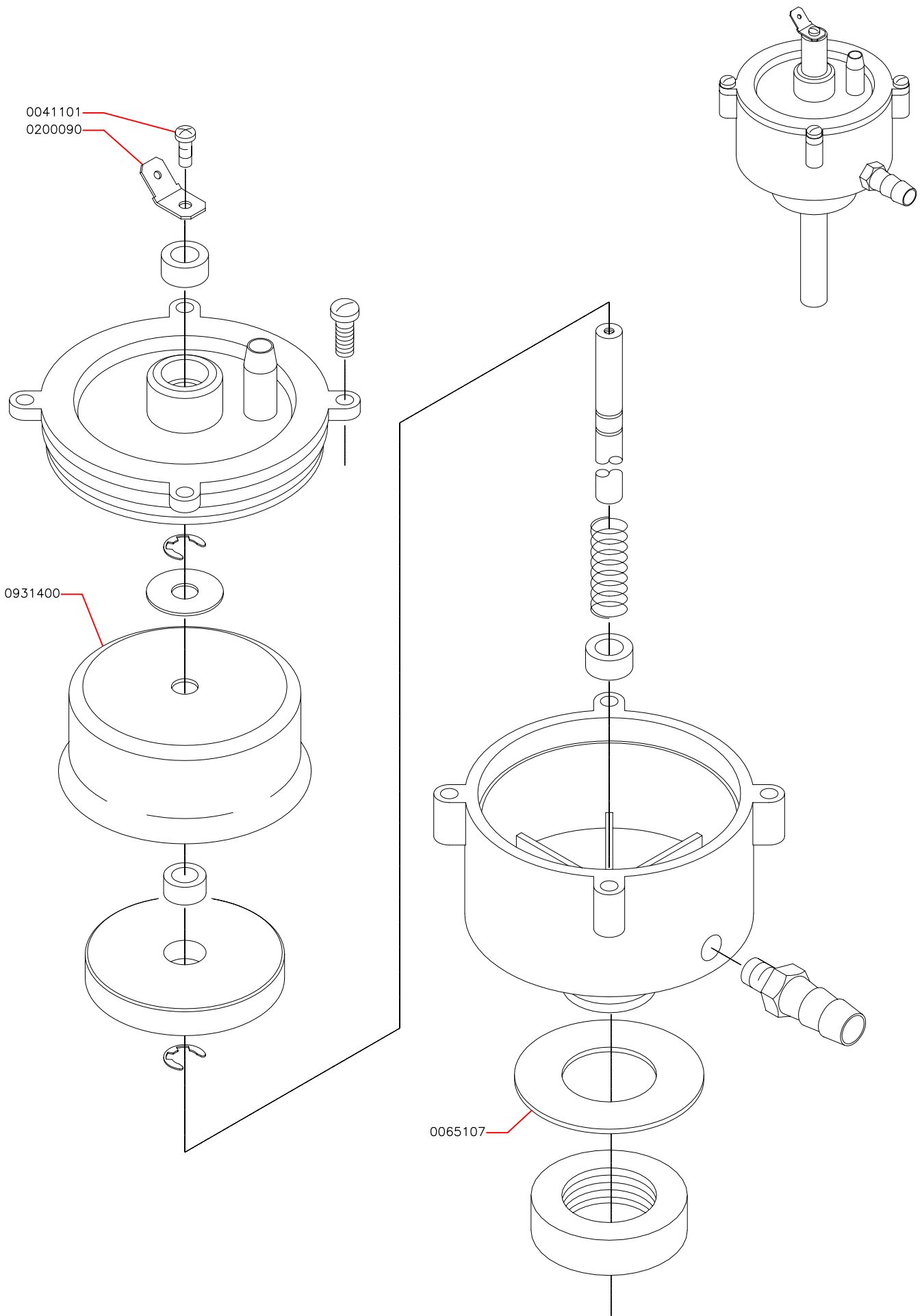
0330020(R)


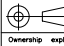
0381010(Jumbo 35)
0381015(Jumbo 42)

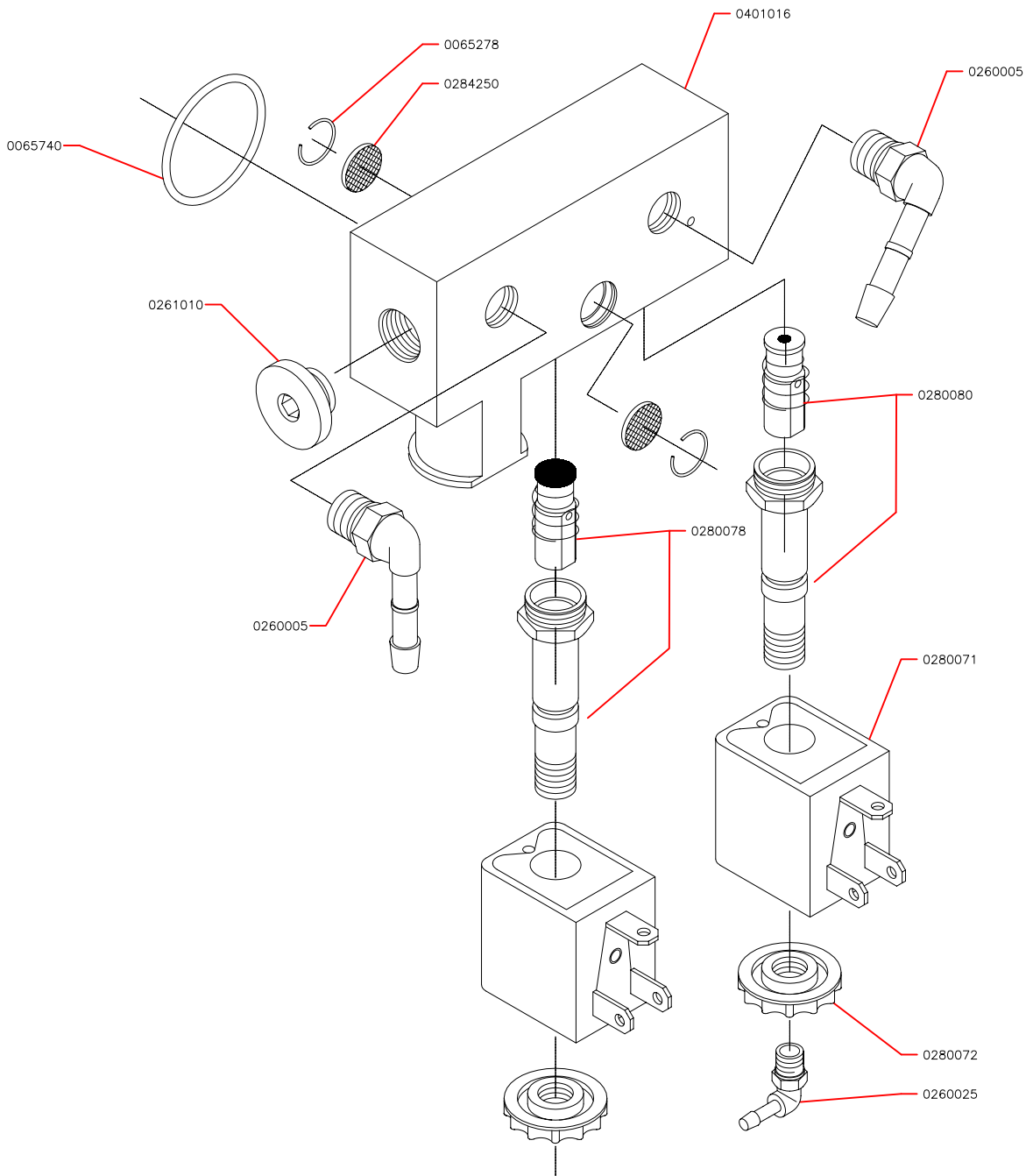
0041510

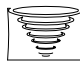


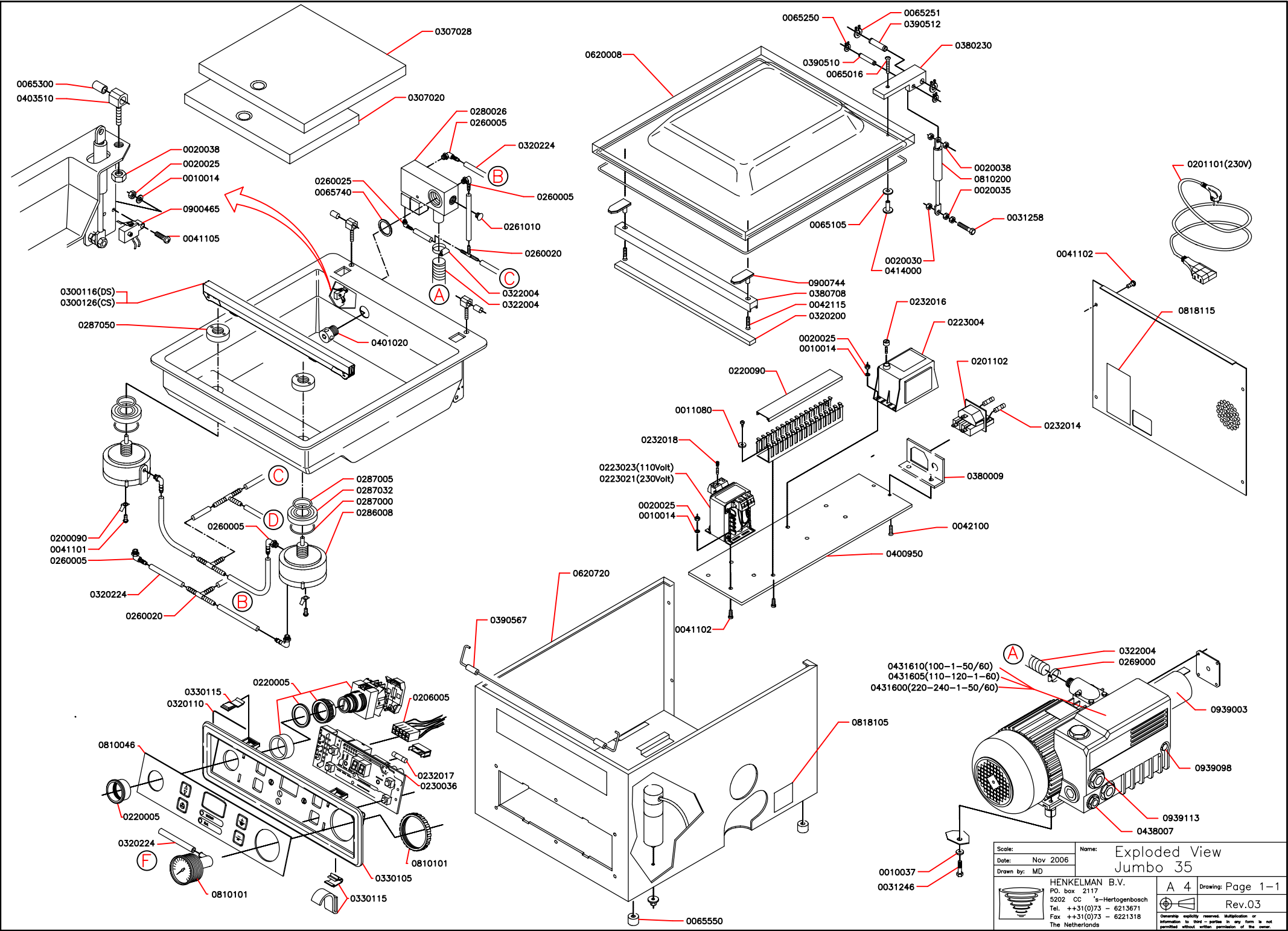
Scale:	Name: Exploded View	
Date: Dec 2004	Seal bar Jumbo 35 & 42	
Drawn by: MD		
	HENKELMAN B.V.	
	P.O. box 2117	
	5202 CC s-Hertogenbosch	
	Tel. ++31(0)73 - 6213671	
Fax ++31(0)73 - 6221318		
The Netherlands		
		A 4 Drawing: Page 1-1
		REV. 01
<small>Ownership explicitly reserved. Multiplication or information to third parties in any form is not permitted without written permission of the owner.</small>		



Scale:	Name:	Exploded View	
Date: April 2004	Seal cilinder Jumbo		
Drawn by: MD			
	HENKELMAN B.V.		A 4
	PO. box 2117 5202 CC 's-Hertogenbosch Tel. ++31(0)73 - 6213671 Fax ++31(0)73 - 6221318 The Netherlands		Drawing: Page 1-1 
<small>Ownership explicitly reserved. Multiplication or information to third parties in any form is not permitted without written permission of the owner.</small>			



Scale:	Name:	Exploded View	
Date: Dec 2004	Valve Unit Jumbo 35/42		
Drawn by: MD			
 HENKELMAN B.V. P.O. box 2117 5202 CC 's-Hertogenbosch Tel. ++31(0)73 - 6213671 Fax ++31(0)73 - 6221318 The Netherlands	A 4	Drawing: Page 1-1	
	Rev.01		
	<small>Ownership: explicitly reserved. Multiplication or information to third parties in any form is not permitted without written permission of the owner.</small>		



Scale:	Name:	Exploded View	
Date:	Nov 2006	Jumbo 35	
Drawn by:	MD		
HENKELMAN B.V.		A 4 Drawing: Page 1-1	
PO. box 2117		Rev.03	
5202 CC 's-Hertogenbosch			
Tel. ++31(0)73 - 6213671			
Fax. ++31(0)73 - 6221318			
The Netherlands			

Overname mogelijk na schriftelijke toestemming van de afnemer. Reproductie of verspreiding van deze tekening is strafbaar.