

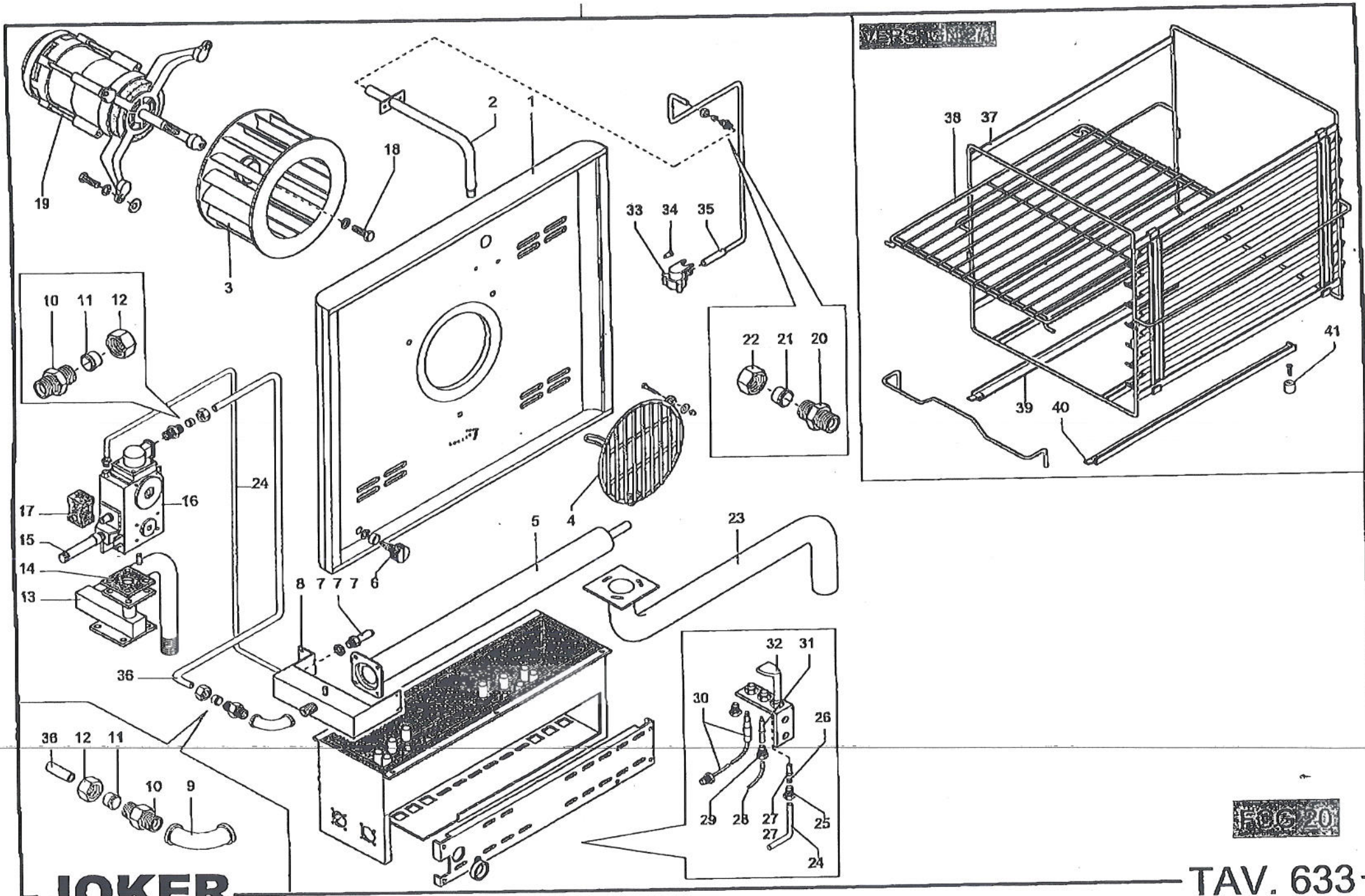
**JOKER**

FCG 20

TAV. 632

FCG 20

AV.632		STRUTTURA	STRUCTURE	STRUCTURE	STRUKTUR
	Codice	Denominazione	Denomination	Denomination	Beschreibung
1	RTFOC00739	Cerniera infer.DX P.F.	Charnière inférieur droite porte du four	Inge pin infer.right	Türangel untenrechts
1	RTFOC00738	Cerniera Infer.SX P.F.	Charnière inférieur gauche porte du four	Inge pin infer.left	Türangel untenlinks
2	GAFOC00226	Porta forno SX	Porte du four gauche	Oven door left	Ofentür links
2	GAFOC00227	Porta forno DX	Porte du four droite	Oven door right	Ofentür rechts
3	MPGOM03P00	Guarnizione vetro	Garniture verre	Gasket glass	Glasdichtung
4	RTFOC00960	Maniglia	Poignée	Handle	Handgriff
5	RTFOC00401	Basella maniglia	Epaisseur poignée	Handle	Handgriff
6	RTFOC0033B	Anello esterno maniglia	Anneau ext. poignée porte du four	Outward ring oven door handle	Ring aussen Handgriff
7	RTFOC00337	Anello interno basella	Anneau interieur epaisseur	Inner ring	Innenring
8	RTFOC00471	Vetro camera	Verre chauffe	Glass chamber	Glas Kammer
9	GAFOC00226	C/Porta forno SX	C/Porte du four gauche	C/Oven door left	C/Ofentür links
9	GAFOC00229	C/Porta forno DX	C/Porte du four droite	C/Oven door right	C/Ofentür rechts
10	RTFOC00722	Guarnizione porta	Garniture porte	Gasket door	Türdichtung
11	GRFOC00273	Gruppo porta forno DX	Groupe porte du four droite	Unit Oven door right	Gruppe Ofentür rechts
11	GRFOC00215	Gruppo porta forno SX	Groupe porte du four gauche	Unit Oven door left	Gruppe Ofentür links
12	GAFOC00224	Cassetto SX	Bassin gauche	Tray left	Schublade links
12	GAFOC00253	Cassetto DX	Bassin droite	Tray right	Schublade rechts
13	GAFOC00258	Cruscotto	Panneau de contrôle	Dash board	Fuss
14	RTFOC00566	Piedino	Pied	Foot	Fuss
15	PAFOC00284	Fianco DX-SX	Côté droite-gauche	Sidepanel right-left	Seitenteil rechts-linkes
16	GAFOC00119	Convogliatore di calore	Convoyer chaleur	Heat conveyor	Wärmelörderer
17	RTFOC00254	Ventilatore calore	Ventilateur chaleur	Heattan	Wärmeventilator
18	PAFOC00283	Posteriore	Arrière	Posterfour	hinten
19	GAFOC00140	Coperchio est.	Couvercle ext.	Cover ext.	Abdeckung
20	RTFOC00324	Camino sup.	Cheminée supérieure	Superior chimney	Oberschornstein
21	PAFOC00640	Pannello esterno	Panneau extérieur	External panel	Aussere lefel
22	AFC0000820	Camino anivento	Cheminée anivent	Chimney	Kamin Windschutz
23	GAFOC00254	Cerniera super.SX	Charnière supérieure gauche	Inge pin super.left	Türangel oben links
23	GAFOC00255	Cerniera super.DX	Charnière supérieure droite	Inge pin super.right	Türangel oben rechts
24	RTFOC00329	Asta trasvers.	Barre transversal	Rod transverso.	Slab
25	RTFOC00328	Asta anteriore	Barre antérieur	Rod antérieur	Slab vorne
26	RTFOC00392	Manopola	Poignée	Handle	Drehgriff
27	RTFOC00009	Gancio	Crochet	Hook	Haken
28	RTFOC00005	Zoccolo esterno	Godet extérieur	Outward base	Socket aussen
29	GAFOC00051	Serratura P.F.	Senure porte du four	Lock	Schloss
30	RTFOC00057	Zoccolo centr.	Godet central	Central base	Socket zentr.
31	RTFOC00382	Cornice P/Lampada	Cadre du portelampe	Moulding P/Lamp	Umrahmung P/Lampe
32	RTFOC00202	Guarnizione P/Lampada	Garniture du portelampe	Gasket P/Lamp	Dichtung P/Lampo
33	RTFOC00201	Vetro P/Lampada	Verre du portelamps	Glass P/Lamp	Glas P/Lampe
34	RTFOC00036	Portelampada	Portelampo	Lampholder	Lampenfassung
35	RTFOC00037	Lampada	Lampe	Lamp	Lampe
36	GAFOC00027	Cupriforo camera forno	Couvre trou chambre de combustion	Plug chamber Oven	Lochabdeckungsstropfen Kammer Heid
37	RTFOC00035	Micra porta forno	Micro-interrupteur porte du four	Micro Oven door	Mikro Ofentür



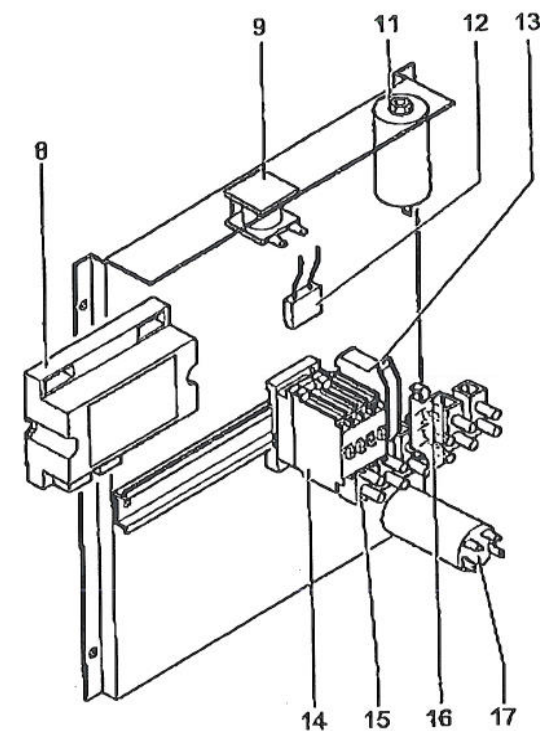
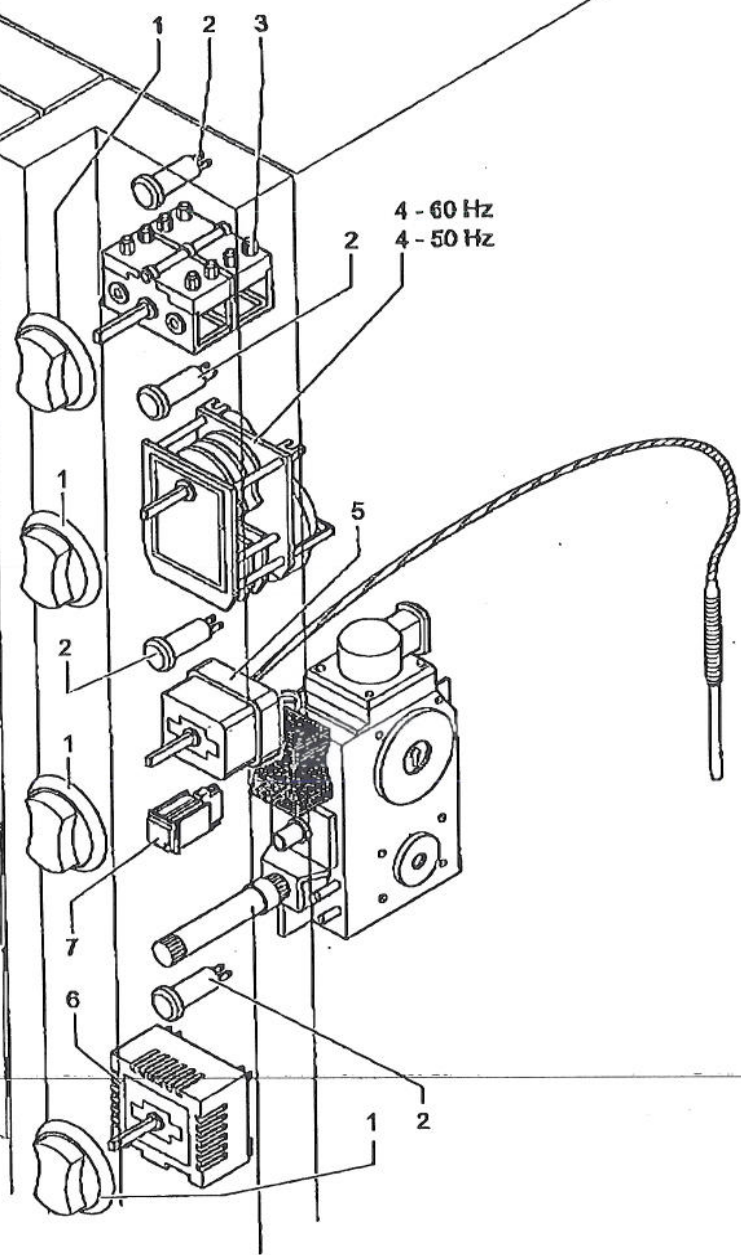
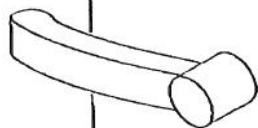
**JOKER**

**TAV. 633**

TAV.693		RISCALDAMENTO E VENTILAZIONE	CHAUFFER ET VENTILATION	HEATING AND VENTILATION	HEIZEND UND BELUFTUNG
	Codice	Denominazione	Denomination	Denomination	Beschreibung
1	PAFOC00342	Convogliatore aria	Convoyeur air	Air conveyor	Luftf6rderer
2	RTFOC00695	Umidificatore	Humidificateur	Humidifier	Beleuchter
3	RTFOC00314	Girante	Mobile	Impeller	Lautrad
4	RTFOC00323	Griglia protez. ventofa	Grille de protection	Grill impeller protection	SchutzgitterSchornstein
5	RTFOC00332	Brucciato camera	Brûleur chambre de combustion	Burner chamber	Brenner Kammer
6	RTFOC00334	Allacco rapido	Attaque rapide	Connection	Schnellanschluss
7	RTCP800062	Iniel.G.20 20mbar 325K	InjecteurG.20 20mbar 325K	InjectorG.20 20mbar 325K	EinspritzerG.20 20mbar 325K
8	RTBF800333	Iniel.GPL 29-37mbar 200L	InjecteurGPL 29-37mbar 200L	InjectorGPL 29-37mbar 200L	EinspritzerGPL 29-37mbar 200L
8	RTFOC00388	Iniel.GPL 50mbar 165+300W	InjecteurGPL 50mbar 165+300W	InjectorGPL 50mbar 165+300W	EinspritzerGPL 50mbar 165+300W
8	RTFOC00326	Supporto Iniel.	Support Injecteur	Support Injector	Halteung Einspritzer
9	RTCP900034	Gomito	Raccord	Fitting	Knetstück
10	RTCP900087	Nipples M 1/2"	Nipples M 1/2"	Nipples M 1/2"	Nippel M 1/2"
11	RTCP900088	Bicono D.14	Bicône D.14	Double cone D.14	Doppelkonus D.14
12	RTCP900089	Calotta D.14	Ecrou D.14	Nut D.14	Mutter D.14
13	RTFOC00603	Rampa	Rampe	Ramp	Rampe
14	RTFOC00100	Guarnizione rampa	Garniture rampe	Gasket Ramp	Dichtung Rampe
15	RTFOC00391	Prolunga valv.	Rallonge valvo	Valve extension	Vorf6ngerung Ventil
16	RTFOC00095	Valvola gas	Valve gas	Valve gas	Ventil gas
17	RTFOC00168	Magnete	Magneto	Magnet	Magnet
18	RIFOC00118	Vite fissaggio girante	Vis de fixation Mobile	Fixingscrew Impeller	Befestigungsschraube Lautrad
19	RTFOC00697	Motore	Moteur	Motor	Motor
20	RTFOC00557	Iniel. umidificatore	Injecteur humidificateur	Injector Humidifier	Einspritzer Beleuchter
21	RTCU900016	Bicono D.6	Bicône D.6	Double cone D.6	Doppelkonus D.6
22	RTFOC00020	Calotta	Ecrou	Nut	Mutter
23	RTFOC00622	Rampa scarico condensa	Rampe de déchargement condense	Ramp condense	Rampe Dunstabzug
24	RTFOC00350	Tubo bruc. Pilota	Tube veilleuse brûleur	Burner pilot pipe	Rohr Pilotbrenner
25	RTCU800182	Calotta D.6	Ecrou D.6	Nut D.6	Mutter D.6
26	RTCU800183	Bicono D.6	Bicône D.6	Double cone D.6	Doppelkonus D.6
27	RTCP800041	Iniettore pilota D. 0,19 G.P.L.	Injecteur veilleuse D. 0,19 G.P.L.	Pilot Injector D. 0,19 G.P.L.	Pilot einspritzer D. 0,19 G.P.L.
28	RTCP800040	Iniettore pilota D. 0,36 G.20	Injecteur veilleuse D. 0,36 G.20	Pilot Injector D. 0,36 G.20	Pilot einspritzer D. 0,36 G.20
28	RTCU700005	Cavo accens.	Cable d'allumage	Cable	Kabel
29	RTCU900215	Raccordo candela acc.	Raccord bougie d'allumage	Union spark plug	Anschluss Zündkerze
30	RTFOC00241	Termocoppia in/bil	Thermocouple in/bil	Thermoelement in/bil	Thermoelement
31	RTCP800093	Candela acc.	Electrode	Spark plug	Zündkerze
32	RTCP800034	Pilota	Veilleuse	Pilot	Pilotbrenner
33	RTFOC00022	Elettrovalvola	Soupepe	Electric Valve	Elektroventil
34	RTFOC00120	Regolatore di portata	Regulateur de portée	Flowregulator	Durchstr6mungsregler
35	RTFOC00310	Tubo umidific.	Tubo humidificateur	Pipe humidifier	Rohr Befeuchter
36	RTFOC00331	Tubo all. bruc. Camera	Tuyau d'alimentation du brûleur	Burner chamber pipe	Rohr Kammer
37	RTFOC00318	Gabbia GN 2/1	Cage GN 2/1	Cage GN 2/1	K6llg GN 2/1
38	RTFOC00266	Griglia forno GN 2/1	Grille du four GN 2/1	Grill Oven GN 2/1	Grill Herd GN 2/1
39	GAFOC00133	Guida gabbia SX	Guide gauche	Left guide	F6hrung links
40	GAFOC00131	Guida gabbia DX	Guide droite	Right guide	F6hrung rechts
41	RTFOC00316	Distanziante guida	Enlotoise	Spacer	Distanzstück



10



**JOKER**

TAV. 634



AV.634		IMPIANTO ELETTRICO	EQUIPMENTS ÉLECTRIQUE	ELECTRIC SYSTEM	ELEKTRISCHE ANLAGE
	Codice	Denominazione	Dénomination	Denomination	Beschreibung
1	RTFOC00361	Manopola	Poignée	Handle	Drehgriff
2	RTCU900072	Lampada spia gialla	Lampe témoin jaune	Lamp Light yellow	Lampe Anzeige gelb
3	RTFOC00694	Commutatore	Commutateur	Commutator	Kommutatorgriff
4	RTFOC00699	Timer 50HZ	Timer 50HZ	Timer 50HZ	Timer 50HZ
4	RTFOC00704	Timer 60HZ	Timer 60HZ	Timer 60HZ	Timer 60HZ
5	RTFOC00698	Termostato elettr.	Thermostat électrique	Thermostat elect.	Thermostat elekt.
6	RTCU800066	Regolatore d'energia	Régulateur d'énergie	Powerregulator	Stromregler
7	RTFOC00387	Pulsante luce forno	Bouton lumière du four	Pushbutton light Oven	Schalter Licht Ofen
8	RTBF800129	Acc. Elettronica	Allumage électronique	Electronic lighting	Elektronischer Anz. ünder
9	RTFOC00048	Ronzatore	Sonnette	Alarm	Summer
10	RTFOC00463	Termostato limit.	Thermostat limitateur.	Thermostat limit.	Termostat
11	RTFOC00700	Condensatore mot.	Condensateur moteur	Condensator	Kondensator mot.
12	RTFOC00023	Filtro antidisturbo	Anti-perturbation	Anti-jamming filter	Filter A/Störung
13	RTFOC00048	P/Fusibile	Porte-fusibles	Fuse holder	Sicherungshalter
14	RTFOC00465	Relais	Relais	Relay	Relais
15	RTBF900045	Morselliera	Connection des cables	Clamp	Klemmen
16	RTFOC00284	Fusibile 6,3 A	Fusible 6,3 A	Fusible 6,3 A	Sicherung 6,3 A
17	RTFOC00309	Filtro antidisturbo	Anti-perturbation	Anti-jamming filter	Filter A/Störung