



IF 75

LIST OF THE EXPLODED VIEWS



SHELL ASSY

COOLING SYSTEM

HYDRAULIC CIRCUIT

EVAPORATOR SUPPORT

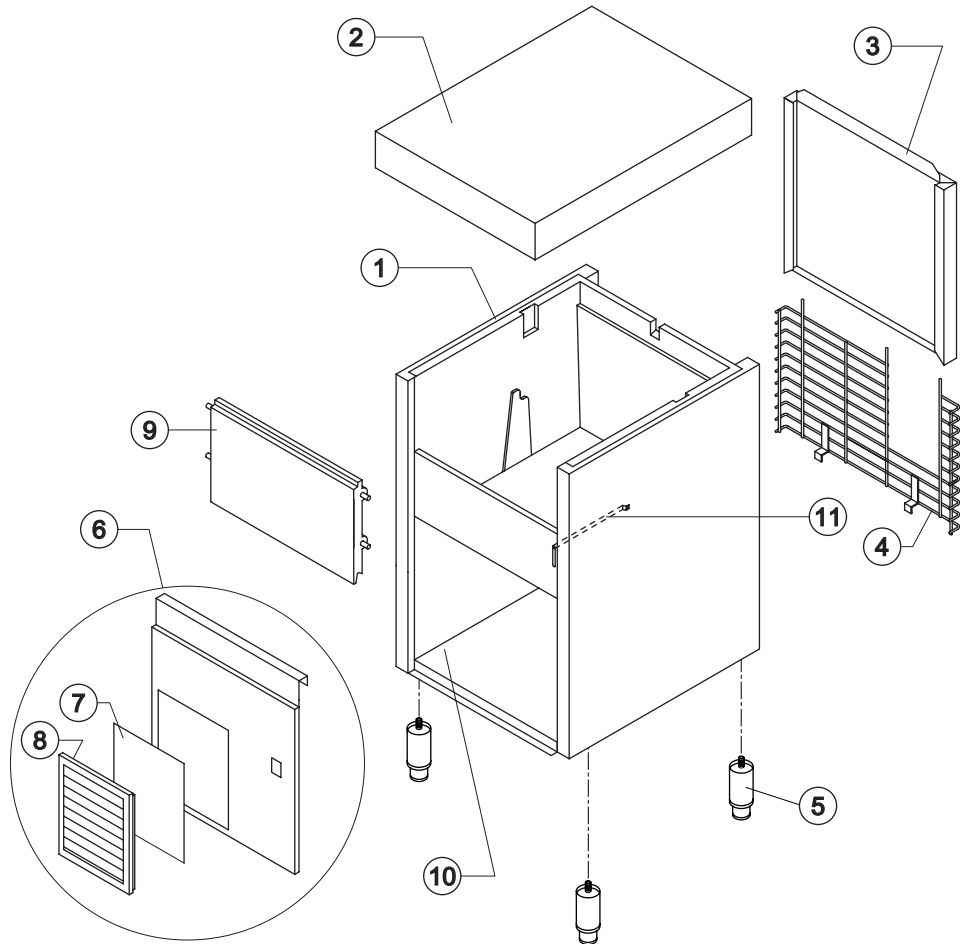
ELECTRIC PARTS

Rev. 6 - 01/08/2005



IF 75

SHELL ASSY



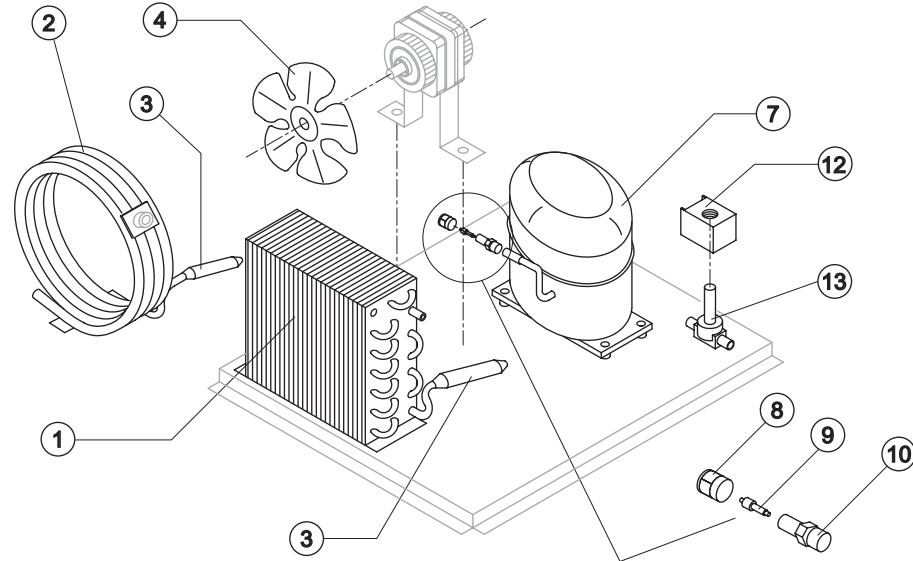
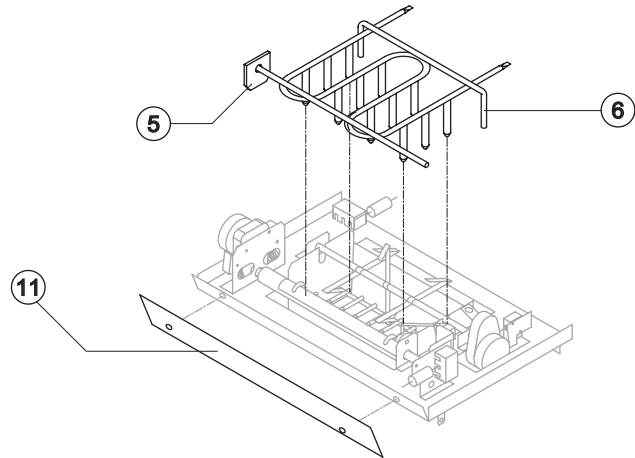
Ref.	Spare Description	Code
1	Foamed Cabinet Assy	C11062/E
2	Top Assembly	C22331
3	Rear Panel Assembly	C26578
4	Rear Grid	D12015
5	Adjustable Stainless Steel Foot	Current Version 20613
5	ABS Foot	Till s/n. 142209 10040
6	Front Grid Panel	Current Version C22509
6	Front Panel	Till s/n. 31252 22049
7	Filtering Panel	18106
8	Frame + Grid & Filter	C10205
9	Door Assy	C10275
10	Base Plate	Current Version 21280
10	Base Plate	Till s/n. 142209 C21036
11	Bulbe-holder Pipe	20522

Rev. 6 - 01/08/2005



IF 75

COOLING SYSTEM



Common Parts

Ref.	Spare Description		Code
3	Solid Core Drier	Current Version	14089
3	Solid Core Drier	Till s/n. 107025	14009
5	Upright		22253
6	Evaporator		D14258
7	Compressor	See Table	-
8	Vacuum-Charge Valve Plug		14006
9	Vacuum-Charge Valve Device		14005
10	Vacuum-Charge Valve Body		14007
11	Protection Plate		10434
12	Hot Gas Valve Coil		23091
13	Hot Gas Valve Body		20410

Parts for Air-Cooled Version Only

Ref.	Spare Description		Code
1	Air Condenser		20175
4	Sucking Fan	See Table	-

Parts for Water-Cooled Version Only

Ref.	Spare Description		Code
2	Water Condenser		14014
4	Sucking Fan	Till s/n. 232332	10213

Ref. 4 Sucking Fan

Tension	Code
T11	20031
T12	20096

Ref. 7 - Compressor

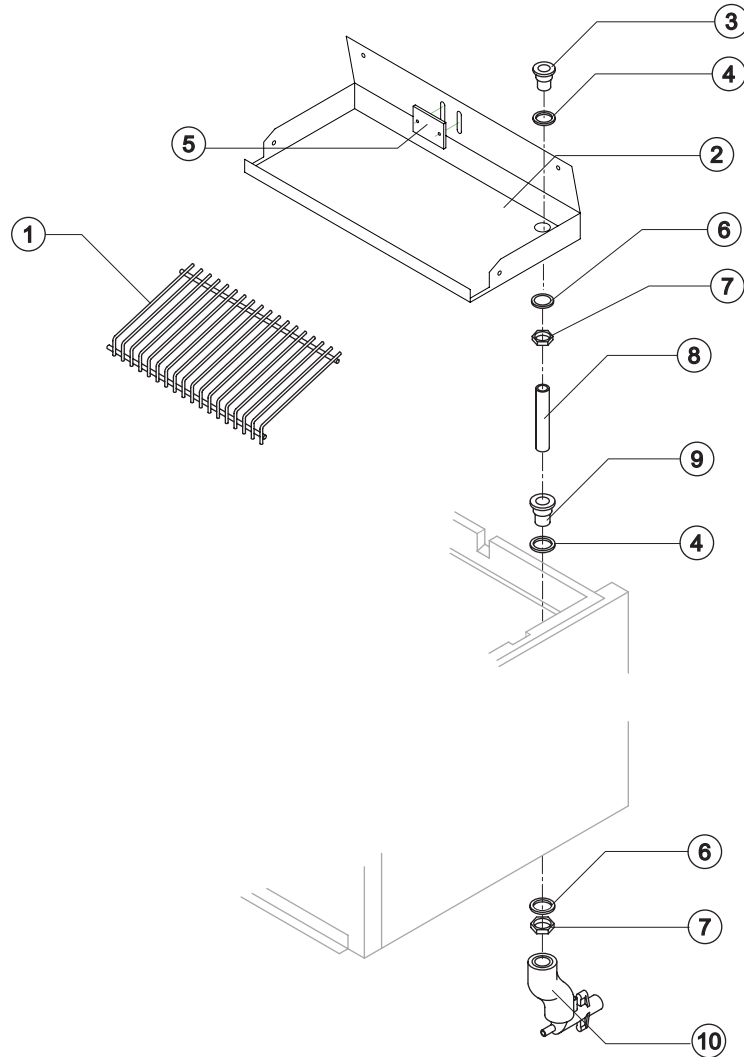
Tension	Code
T11	23437
T12	23495

Rev. 6 - 01/08/2005



IF 75

HYDRAULIC CIRCUIT



Common Parts

Ref.	Spare Description	Code
1	Ice Cubes Slide	D12017
2	Water Basin	22465
3	Overflow Pipe Nipple	10241
4	Silicone Gasket	13006
5	Slide Keep Plate	10009
6	Semirigid Polyethylene Gasket	13007
7	Bin Discharge Nut	10096
8	Overflow Pipe	Current version 13108
8	Overflow Pipe	Till s/n. 63341 13057
9	Water Outlet Nipple	10472

Parts for Air-Cooled Version Only

Ref.	Spare Description	Code
10	Discharges Manifold	C10006

Parts for Water-Cooled Version Only

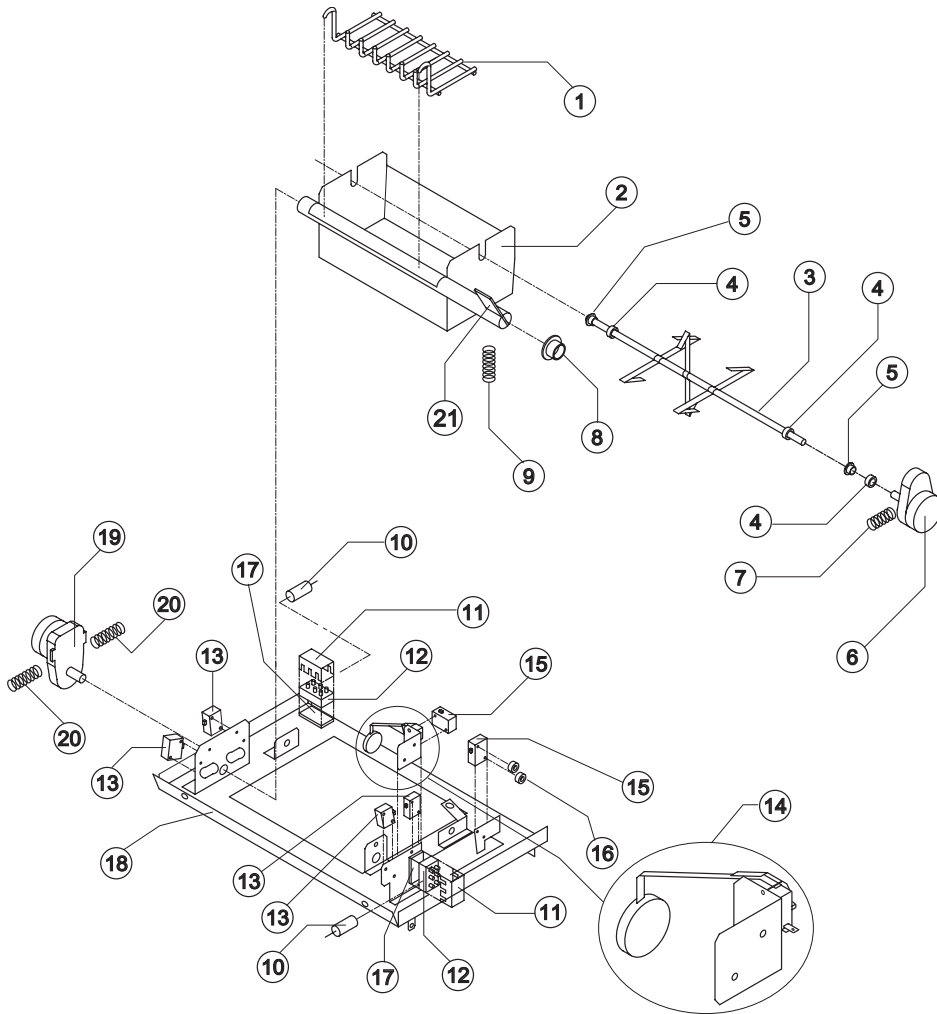
Ref.	Spare Description	Code
10	Discharges Manifold	C26452



IF 75

EVAPORATOR SUPPORT

Rev. 6 - 01/08/2005



Ref.	Spare Description	Code	
1	Internal Basin Slide	D12058	
2	Water Basin with Pin	C22462	
3	Shaft with Paddles	20389	
4	Shaft Stop Ring	20227	
5	Self-Lubricating Bush 06/06	20230	
6	Gearmotor (Paddles)	See Table	
7	Spring (Support Gearmotor)	20228	
8	Self-Lubricating Bush 12/07	20231	
9	Spring (Basin Lightening)	20282	
10	Capacitor 0,12 μ F - 1000 V	T11	23318
10	Capacitor 0,15 μ F - 1000 V	T12	23329
11	Terminal Block Cover	23250	
12	Terminal Block	23249	
13	Microswitch (usually closed)	23196	
14	Working Kit for the Floating Micro	C26562	
15	Microswitch (usually open)	23372	
16	Switch Shimming Ring	10250	
17	Terminal Block Spacer	10143	
18	Evaporator Support Plate	22463	
19	Gearmotor (Turnover Basin)	See Table	
20	Spring (Support Gearmotor)	20232	
21	Micro-Finger Connecting Link	22359	

! The Complete Evaporator Support Plate has to be requested, making reference to the Table.

Ref. 6 - Gearmotor (Paddles)

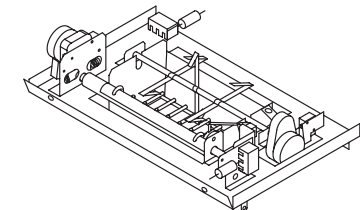
Tension	Code
T11	23341
T12	23582

Ref. 19 - Gearmotor (Turnover Basin)

Tension	Code
T11	23195
T12	23581

Evaporator Support Plate

Tension	Code
T11	C22463
T12	C22695





IF 75

ELECTRIC PARTS

Common Parts

Ref.	Spare Description	Code
3	Anti Radio Interference Filter T11	C23458
5	Condenser Pressure Switch	23175
6	Bin Thermostat	R23005
8	Relay	23190
9	Green Light Switch (On-Off)	23327

Parts for Air-Cooled Version Only

Ref.	Spare Description	Code
1	Fan Motor	23067
7	Anti Radio Interference Filter T11	C23459
12	1 Way- Water Inlet Valve	23220

Parts for Water-Cooled Version Only

Ref.	Spare Description	Code
1	Fan Motor	Till s/n. 232332 23029
7	Anti Radio Interference Filter T11	Current Version C23457
7	Anti Radio Interference Filter T11	Till s/n. 232332 C23459
10	Safety Thermostat	C23114
11	2 Ways- Water Inlet Valve	23501

Rev. 6 - 01/08/2005

