

CARAT CAPSULE MINI 2 Group

SPARE PARTS MANUAL



SPM_EN

Part No.: I764270_01

EXOBAR®

CONTENT3

EXPLODED VIEW.....4

Bodywork 4

Hydraulic system..... 6

Rotary pump 8

Adjustable coffee outlet..... 10

Group chassis..... 11

Caffitaly capsule group body 13

Lavazza capsule group body..... 15

Water distributor..... 17

Steam tap 18

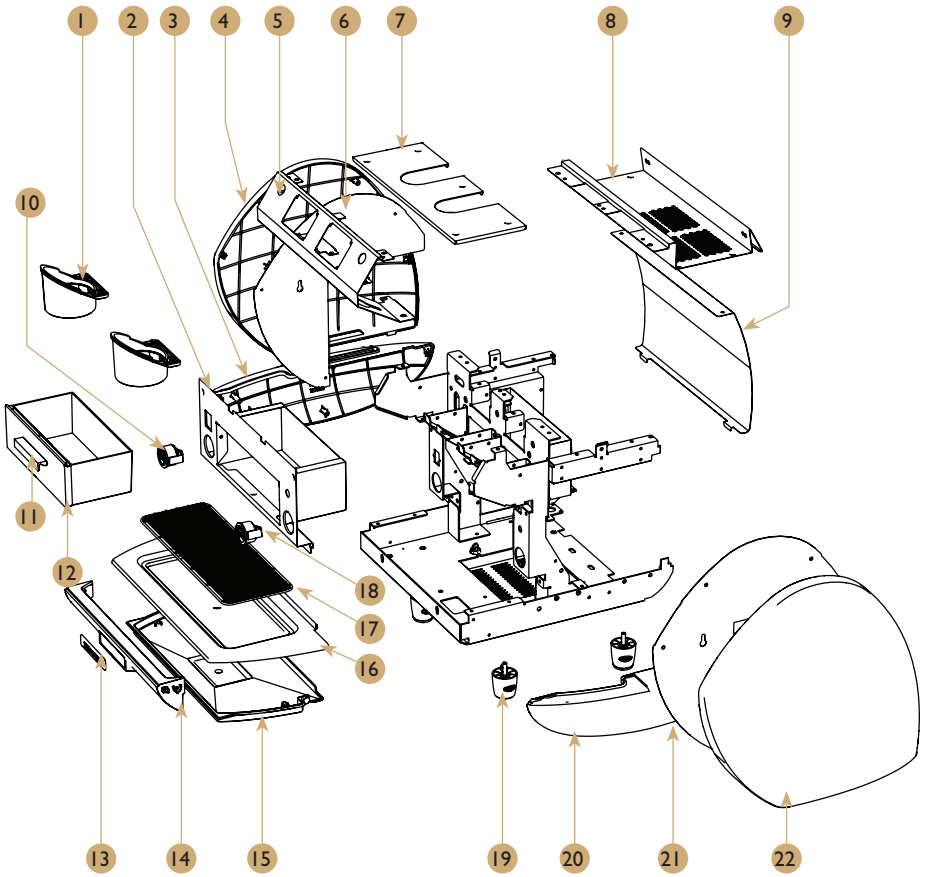
Hot water tap 20

Boiler assembly..... 22

ELECTRICAL HARDWARE.....24

Common spare parts 24

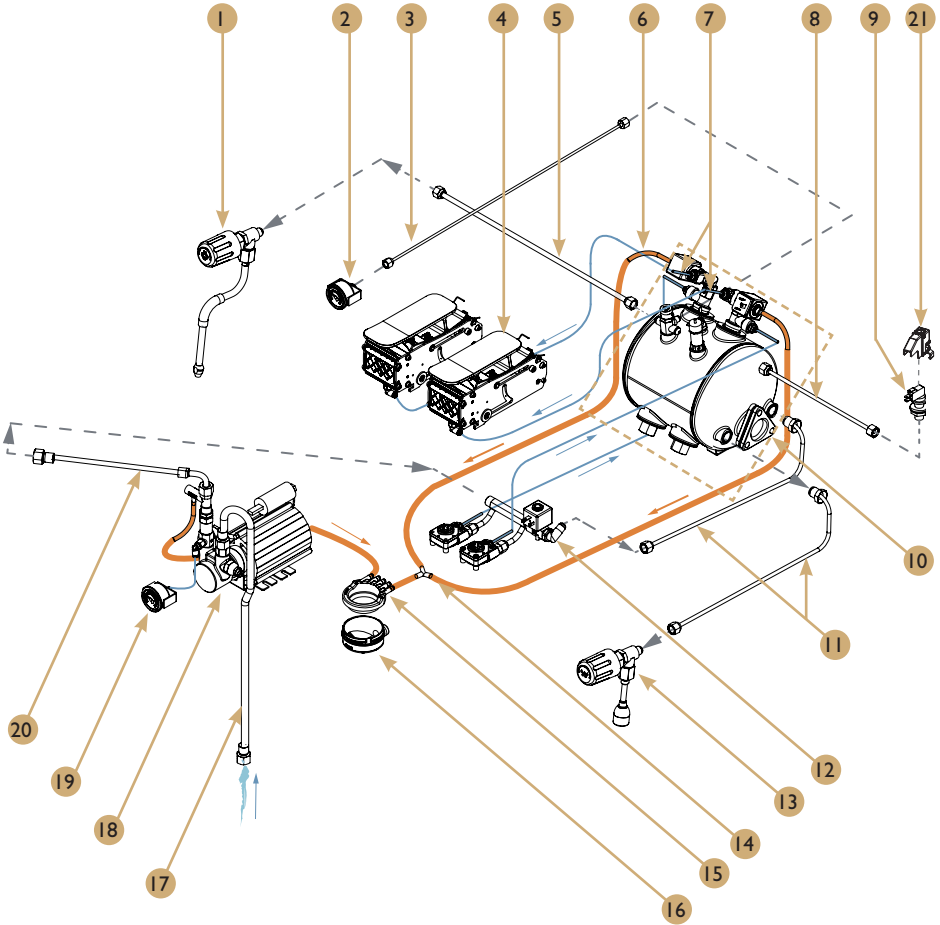
Bodywork



Spare parts list

POS.	PCS	Part No.	Description
1	2	1264537	Top frame adjustable outlet std
2	1	262058	Frontal Panel
3	1	1264090	Left Panel Lower
4	1	1264089	Left Panel Upper
5	1	262061	Top Front
6	1	262054	Left Cover
7	1	262056	Top Cover Capsule Group
8	1	262057	Cup Tray
9	1	262052	Back Panel
10	1	C60000062	D-40 One Reading Manometer Orman
11	1	70000026	Capsule Box Handle
12	1	1264536	Capsule Box
13	1	C70300093	Branding Sticker
14	1	1264104	Front Brand Panel 1Gr
15	1	1264241	Water Proof Pan 1Gr
16	1	260716	Drip Tray 1Gr
17	1	1364111	Grill
18	1	C60000072	D-40 Manometer 0-16 Bar
19	4	C70000045	Adjustable Foot
20	1	1264092	Right Panel Lower
21	1	262053	Right Cover
22	1	1264091	Right Panel Upper

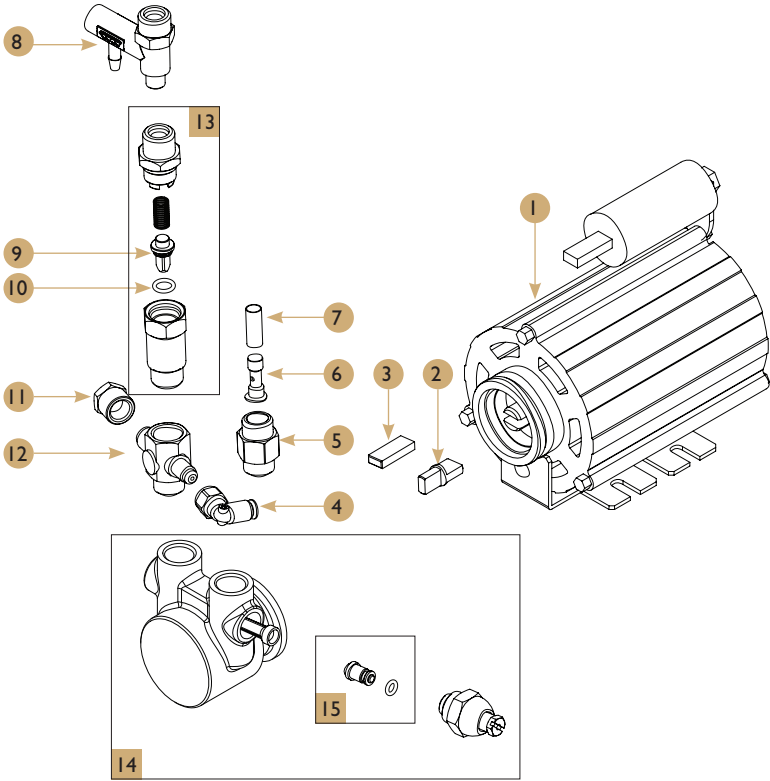
Hydraulic system



Spare parts list

POS.	PCS	Part No.	Description
1	1	-----	Steam Tap
2	1	C60000062	D-40 One Reading Manometer Orman
3	1	C35110530	Pipe Manometer
4	2	-----	Capsule Group (see exploded view for parts)
5	1	C35040117	4Ltrs Grinder's Steam Pipe
6	-	C35021000	Silicon Hose Dia4*7Mm
7	-	C35021016	Mts. Teflon Tube 2*4
8	1	C35040106	Pipe Pressure Sensor Mini
9	1	C60000008	Pressostat Piris Ce
10	1	-----	Boiler Assembly Mini (see exploded view for parts)
11	2	C35040118	Pipe Water Filling Mini
12	1	CESC00086	Distributor Mini 2Gr Capsule (see exploded view for parts)
13	1	-----	Water Tap (see exploded view for parts)
14	1	C60100058	Conector "Y" Manguera (6Mm X 6Mm X 6Mm)
15	1	C70001005	Drain Cup Cover
16	1	C70001001	Drain Cup With Thread
17	1	C35900180	180Cm Hose
18	1	-----	Rotary Pump (see exploded view for parts)
19	1	C60000070	D-40 Manometer 0-16 Bar
20	1	C35900045	Flexible Hose 55Cm Bend
21	1	1264357	Cap for Pressure Switch

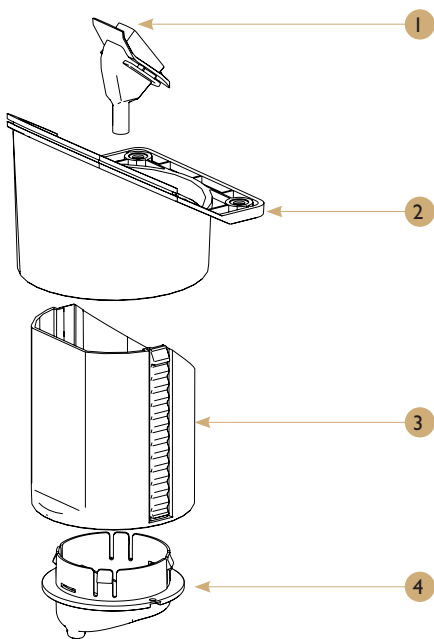
Rotary pump



Spare parts list

POS.	PCS	Part No.	Description
1	1	C60000025	Compact Engine Motor 230V 50/60Hz
2	1	C30000019	Cardan Joint Pump
3	1	C30000022	Cardan Joint Pump Flat
4	1	C30600009	Automatic Elbow Racor GI/8F-Tube 4
5	1	C30000240	Pump Adaptor 3/8 X 3/8
6	1	C30100100	Inlet Water Filter Holder
7	1	C70000009	Tubular Group Filter
8	1	C30400055	Pump Bypass Condor
9	1	C30369110	Restrictor Pin
10	1	C50000130	O-Ring 8 X 1.9
11	1	C30000310	Blind Plug 1/4 Female
12	1	C30000100	2 Tracks Adaptor- 1/4 X 1/8
13	1	C65000010	Retention Valve
14	1	C60000030	Pump Head
15	1	C60000031	Piston Bypass Pump (Tec)

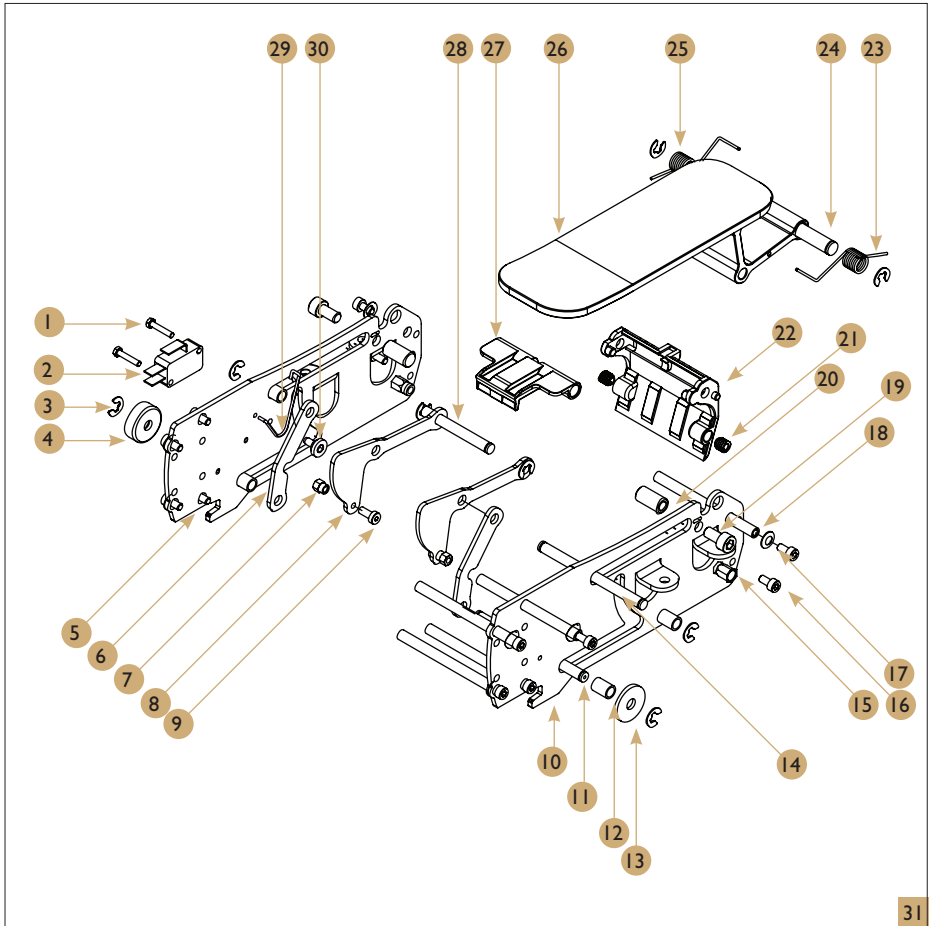
Adjustable coffee outlet



Spare parts list

POS.	PCS	Part No.	Description
1	1	30210160	Group Outlet Spout
2	1	1264537	Adjustable Outlet Top Frame
3	1	30210190B	Adjustable Outlet Body Black
4	1	30210211	Coffee Outlet

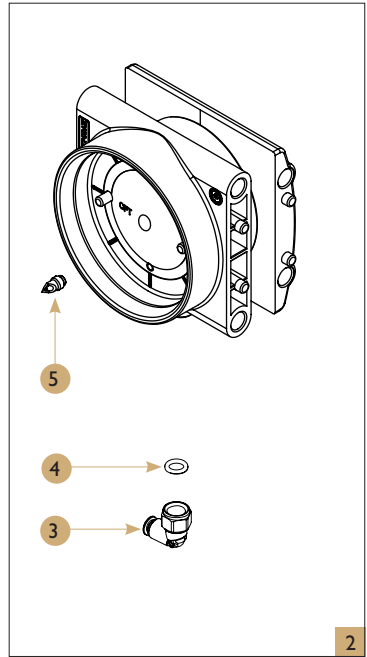
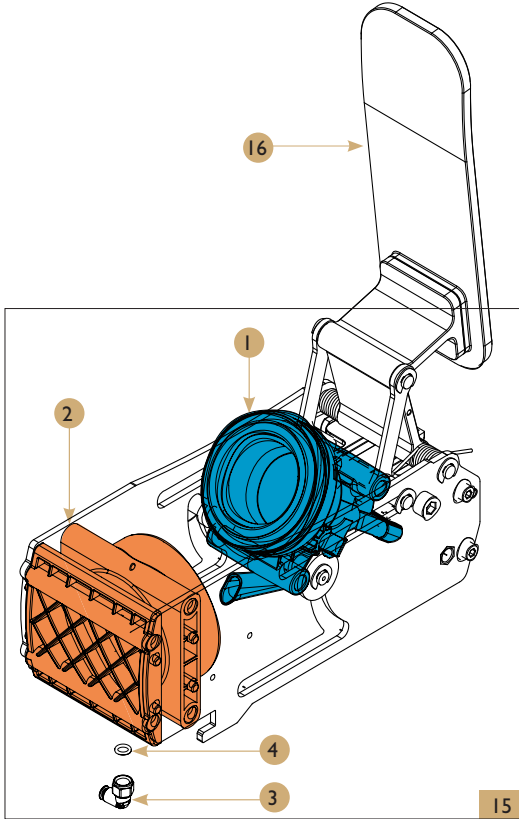
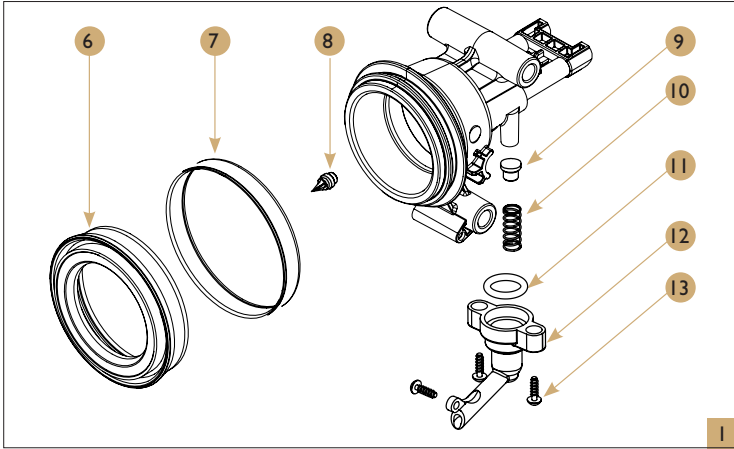
Group chassis



Spare parts list

POS.	PCS	Part No.	Description
1	2	C25093331	Hexagon Head Screws M3*16
2	1	C60900031	Autoexp. Miniswitch 83160 G.
3	8	C25679906	RETAINNG WASHERS FOR SHAFTS
4	1	C30210136	Stop Bushing D22x7
5	1	C30210090	Ss Left Panel Capsule Group
6	2	C30210100	Ss Guide Arm
7	2	C30210230	Tuerca Tope M4 Leva Gr
8	2	C30210101	Articulated Arm Of Autoeject G10
9	2	C25798440	Hex Socket Head Cap Screws Din
10	1	C30210091	Ss Right Panel Capsule Group
11	1	C30210121	Slide Axis D6x84
12	4	C30210135	Guide Cap D 8X11 Auto-Eject
13	1	C25012521	Stainless Steel Knob Washer
14	2	C30210120	Axis D 6*80 Auto-Eject Group
15	2	C25000060	Hexagonal Rivet M5 S/A
16	12	C25091200	Allen Screw 4X8 Din-912
17	10	C25209952	Disc Springs 5.2*10*0.4 Din2093
18	5	C30210110	Group Pin M4x77
19	2	C25091250	Allen Screw 6*10 Din-912 Group
20	2	C30210130	Level Auto Exp.Group Limit
21	2	C30210150	Insert Screw M4x8
22	1	C30210060	Group Rear Panel
23	1	C55020000	Torsion Spring Right G10
24	1	C30210124	Axis D 8*80 Auto-Eject Group
25	1	C55020001	Torsion Spring Left G10
26	1	C30210080	Capsule Group Lever
27	1	C30210070	Group Rear Cam
28	1	C30210122	Axis D6x54 Group Hinge
29	1	1364078	Spring Lock Left Capsule Group
30	1	1461044	Step Screw M4, Sus430
31	-	C15000065	Autoexp. Capsule Group-Cft,W/O Leve

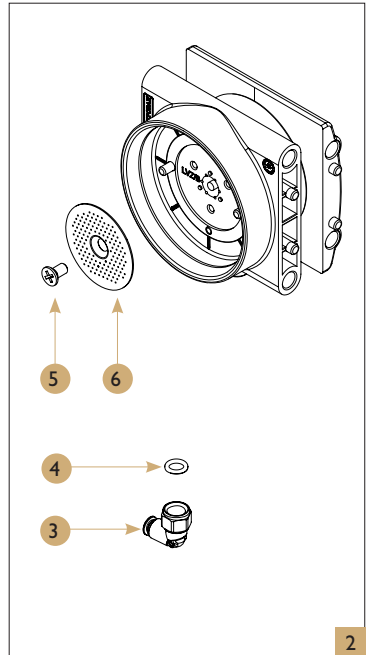
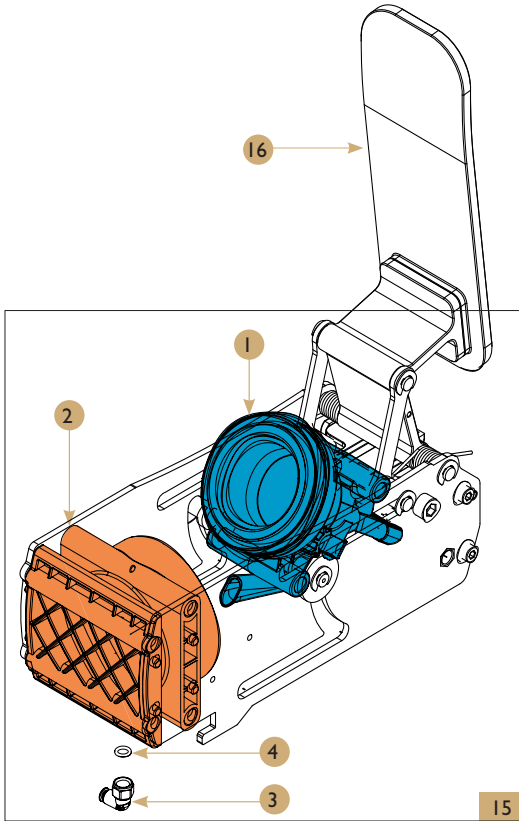
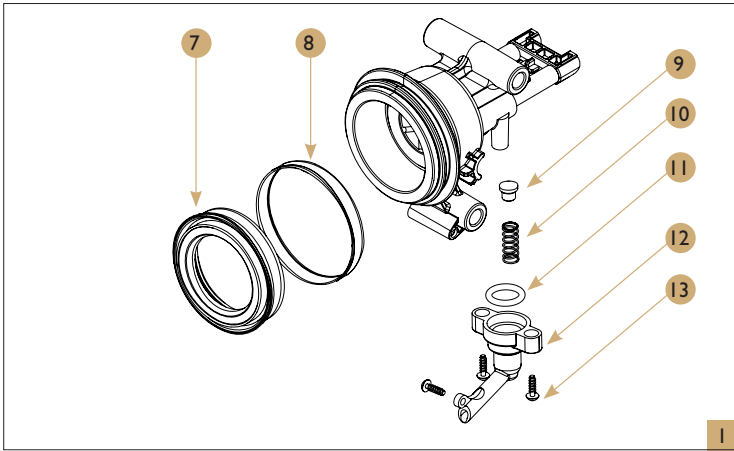
Caffitaly capsule group body



Spare parts list

POS.	PCS	Part No.	Description
1	1	ESC81000	Capsule Holder Kit Caffitaly
2	1	ESC82000	Capsule Pinch Chamber Caffitaly
3	1	30600009	Automatic Elbow Racor G1/8F-Tube 4
4	1	50000112	Gasket D7x2Vmq-70 (Red)
5	1	75200059	Water Injector Nozzle
6	1	50000060	Main Capsule Group Gasket
7	1	30210134	Retention Ring Auto-Eject
8	1	75200057	Needle Support Auto-eject Capsule CFT
9	1	65000301	Seta Valve PTFE Emulsifying
10	1	55000050	Spring Gasket Mushroom Type
11	1	30370075	O-Ring 12.1X2.7mm
12	1	30210170	Capsule Group Outlet
13	3	25200003	Screw For Plastic 3 X 8
14	1	C30210081	Group Lever
15	1	ESC80000	Kit Group Auto-eject Capsule CFT (complete, without lever)
16	1	C30210080	CAPSULE GROUP LEVER

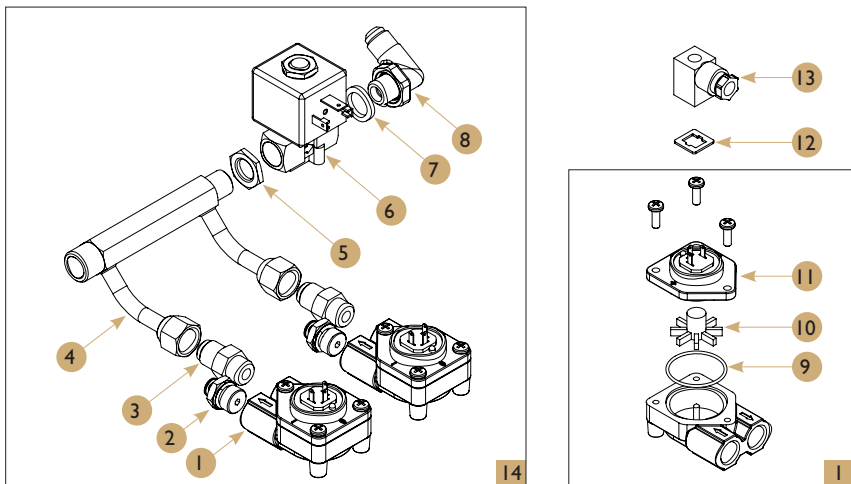
Lavazza capsule group body



Spare parts list

POS.	PCS	Part No.	Description
1	1	ESC81005	Capsule Holder Kit Lavazza
1	1	ESC81010	Capsule Holder Kit Lavazza B
2	1	ESC82005	Capsule Pinch Chamber Lavazza
3	1	30600009	Automatic Elbow Racor G1/8F-Tube 4
4	1	50000112	Gasket D7x2 Vmq-70 (Red)
5	1	25096510	Screw Phillips 4*8 (DIN 965)
6	1	75000015	Shower OD D-34P
7	1	50000063	Retention Gasket Auto-eject Capsule LVZ
8	1	30210134	Retention Ring Auto-Eject
9	1	65000301	Seta Valve PTFE Emulsifying
10	1	55000050	Spring Gasket Mushroom Type
11	1	30370075	O-Ring 12.1X2.7mm
12	1	30210170	Capsule Group Outlet
13	3	25200003	Screw For Plastic 3 X 8
14	1	C30210081	Group Lever
15	1	ESC80005	Kit Group Auto-eject Capsule LVZ (complete, without lever)
16	1	C30210080	Capsule group lever

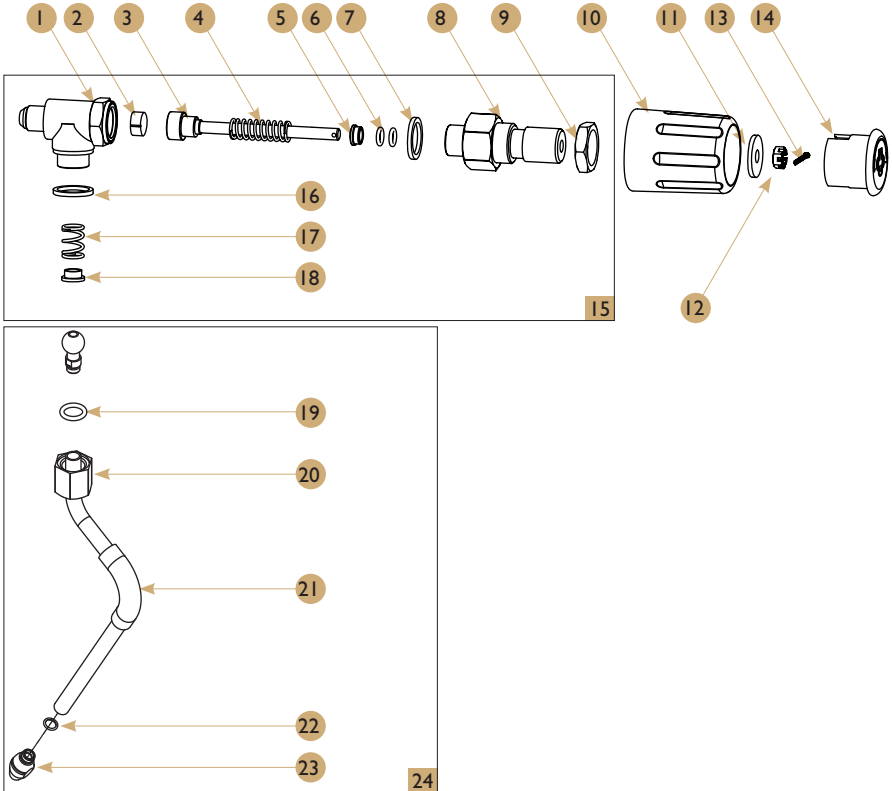
Water distributor



Spare parts list

POS.	PCS	Part No.	Description
1	2	C60100045	Flowmeter UI/Netw. Brass Tef+Led
2	2	C30600012	Automatic Straight Racorg1/4M-Tube4
3	2	C30000510	Conical Adaptor 1/4*1/4 Electron
4	1	C35040101	Mini Brass Tube For Battery
5	1	C30100010	Hexagonal Nut 1/4 Pressostat
6	1	C60000100	1/4 X 1/4 Electrovalve Parker 220V
7	1	C50010020	13.2*18.2*2.5 1/4 Teflon Gasket
8	1	C30000215	Conical Bend Adaptor 1/4 X 1/4
9	2	C60102020	O-Ring Flowmeter
10	2	C60102010	Frontal Botonera Elen
11	2	C60102040	Flow Meter Lid
12	2	C*45000001	Flow Meter Joint
13	2	C60100055	Flow Meter Connector
14	-	CESC00086	Piping Mini 2Gr Capsule

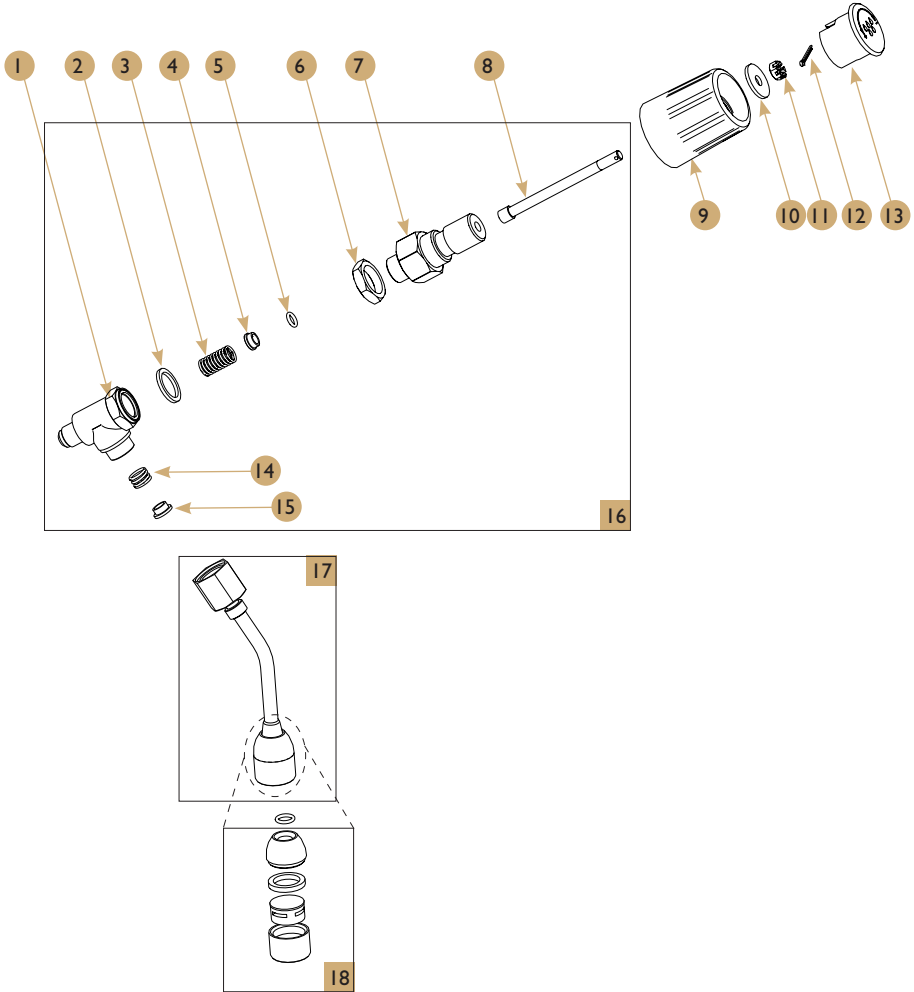
Steam tap



Spare parts list

POS.	PCS	Part No.	Description
1	1	C30370070	Tap Body
2	1	C30370060	Close Nut
3	1	C30370050	Closing Shaft M-6
4	1	C30370040	Shaft Spring
5	1	C30370065	Push Cap
6	2	C30370020	Shaft Ring
7	1	C30370030	Gasket
8	1	C30370010	Tap Fitting
9	1	C30370140	Tap Fixing Nut
10	1	C40000015	High Group Tap Knob
11	1	C25012521	Stainless Steel Knob Washer
12	1	C25097960	Steam/Water Tap Nut M6-Din 979
13	1	C30370110	Water/Steam Knob Pin
14	1	C30370130	Steam Tap Knob Anagram
15	1	C15000325	Tap Steam Body Complete
16	1	C50010080	Gasket Tap Steam/Water Teflon
17	1	C30370076	Spring Steam/Water Tap
18	1	C30370077	Gasket Tap Steam/Water Brass
19	1	C30370075	O-Ring 12.1X2.7mm
20	1	C70000010	Nut 3/8 For Steamer
21	1	C70000035	Protection Rubber Handle
22	1	C50010090	O-Ring 6 ^ø 1
23	1	C30370195	Nozzle Steam Tap 3H M8.5 With Gaske
24	1	C35010052	Pipe Steam Eleg./Mega Ta Wo Nozzle

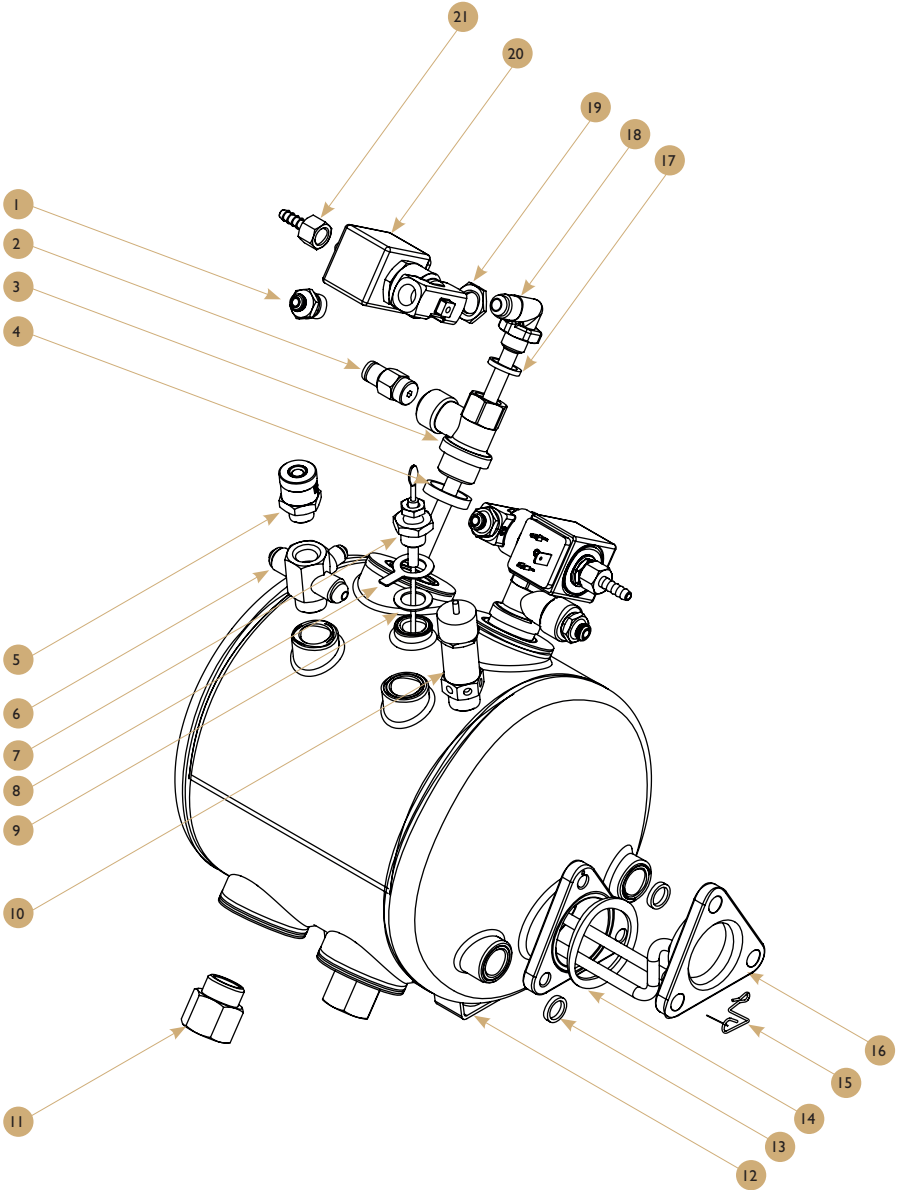
Hot water tap



Spare parts list

POS.	PCS	Part No.	Description
1	1	C30370070	Tap Body
2	1	C30370030	Gasket
3	1	C30370040	Shaft Spring
4	1	C30370065	Push Cap
5	2	C30370020	Shaft Ring
6	1	C30370140	Tap Fixing Nut
7	1	C30370010	Tap Fitting
8	1	C30370050	Closing Shaft M-6
9	1	C40000015	High Group Tap Knob
10	1	C25012521	Stainless Steel Knob Washer
11	1	C25097960	Steam/Water Tap Nut M6-Din 979
12	1	C30370110	Water/Steam Knob Pin
13	1	C30370120	Water Tap Knob Anagram
14	1	C30370076	Water Tap Body Complete
15	1	C30370077	Gasket Tap Steam/Water Brass
16	1	C15000325	Tap Steam/Water Body
17	1	C35010056	Angled Water Tap Outlet Complete
18	1	C30000050	Nozzle Water Tap Complete

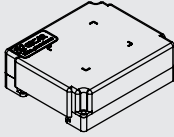
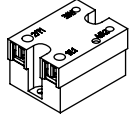
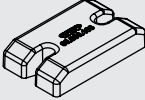
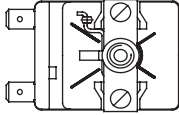
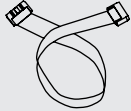
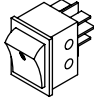
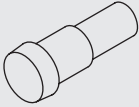
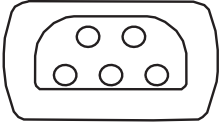
Boiler assembly



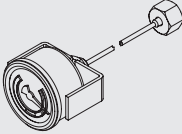
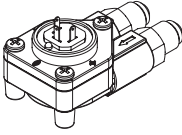

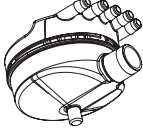


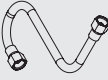
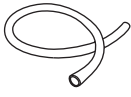
Spare parts list

POS.	PCS	Part No.	Description
01	2	C30600012	Automatic Straight Racorg1/4M-Tube4
02	2	C30600020	Connector Straight G1/4M Tube 4
03	2	C30000210	Thermics Inf.Adaptor 1/2X1/4X1/4
04	2	C50010010	21.1*25.7* 1/2 Teflon Gasket
05	1	C65000200	Non Suction Valve
06	1	C30000110	3 Tracks Adaptor 1/4 * 1/4 * 1/8
07	1	C60100040	Water Level Probe 1/4
08	1	C25000003	Inox Ground Washer
09	1	C25679812	M12 Washer Form A
10	1	C65000110	Cn10 Ptfе Ce Safety Valve
11	2	C30200035	Long Plug 1/2 Group
12	1	C15100016	Copper Boiler 2Gr 6Lt
13	2	C50010050	3/8 Boiler's Connector Teflon Gaske
14	1	C50010030	40*52*2 Element Teflon Gasket
15	1	1364062	EGO Clip
16	1	C38025001	2500W-230V- 6LTRS.COPPER ELEMENT
17	2	C50010020	13.2*18.2*2.5 1/4 Teflon Gasket
18	2	C30000220	Cone Injector 1/4
19	2	C30100010	Hexagonal Nut 1/4 Pressostat
20	2	C60000122	EV 1/4 DIA1,5 220V Capsule
21	2	C30700000	Barb Connector-1/8

Common spare parts

View	Part No.	Description
	C60100410 C60100054	Control Board 3D5 XLC with Box Bipolar Jumper (activates capsule software)
	C60800100	Static Relay
	C60800103	Solid State Relay Cover
	CI0200141	Thermal Cut-out 1 Pole with bulb
	60100039	L.800mm TOUCH PAD CABLE
	C60900043	Switch Black
	C60901001	Pilot Light 60 Cm
	2760333	Keyboard Assembly

Common spare parts

View	Part No.	Description
	<p>C6000072 C35110530</p>	<p>Manometer D40 0_16 BAR Pipe Manometer</p>
	<p>C60100045</p>	<p>Flowmeter UL Red TEF Led</p>
	<p>C60102020</p>	<p>O-ring flowmeter</p>
	<p>C70001005 C70001001</p>	<p>Drain cup cover Drain cup with threads</p>
	<p>45100027F</p>	<p>Wiring Harness Fused MINI 2GR Capsule</p>
	<p>C35900180</p>	<p>180Cm Hose</p>
	<p>C35900045</p>	<p>55Cm Hose</p>
	<p>C35900010</p>	<p>150Cm Drain tube</p>

For the warranty to be valid the conditions for maintenance must have been followed according to our instructions, proper precaution has been made and warranty claim been issued without delay.

The affected equipment may not be used during awaiting service if there is any risk that the damage or defect would worsen.

The warranty will not cover consumption supplies such as glassware, normal maintenance such as cleaning of filters, contaminations in water, lime, incorrect voltages, pressure or adjustment of water amounts.

The warranty will not cover damages of defects caused by incorrect handling and operation of the appliance.

Made in Spain

FOR SERVICE

Please contact your dealer

Your Dealer



www.creminternational.com

Models covered by this manual:

(pending)