

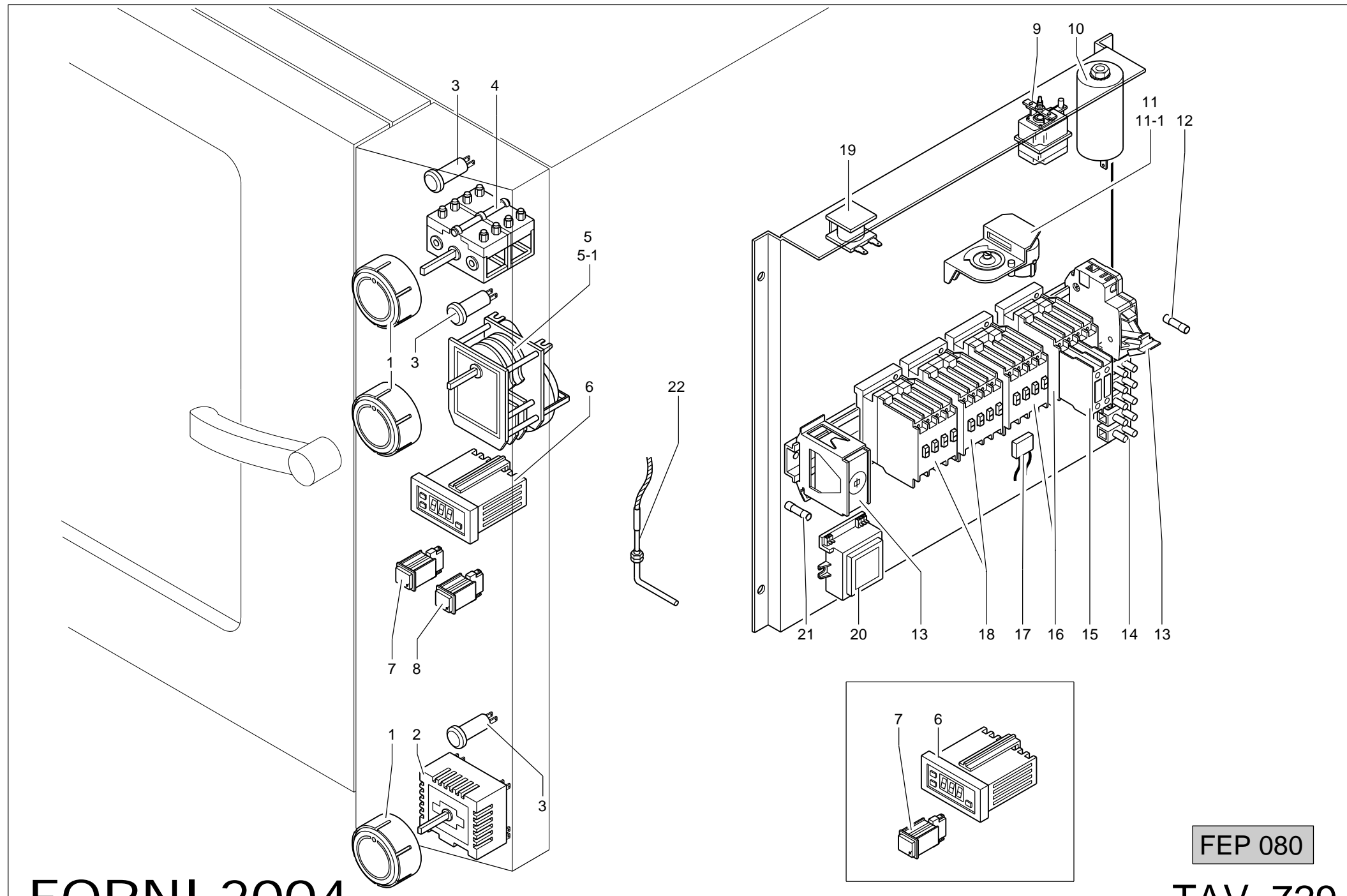
FEP 080

FORNI 2004

TAV. 727

| TAVOLA | POS. | CODICE | ITALIANO | FRANCESE | INGLESE | TEDESCO |
|----------------|------|------------|-------------------------------|--|-------------------------------|--------------------------------|
| FORNI TAV. 727 | 1 | GAFOC00030 | AS.CERN.SUP.SX P.F. | CHARNIÈRE SUPÉRIEURE GAUCHE | INGE PIN SUPER.LEFT | TÜRANGEL OBEN LINKS |
| FORNI TAV. 727 | 1-1 | GAFOC00213 | AS.CERN.SUP.DX P.F. | CHARNIÈRE SUPÉRIEURE DROITE | INGE PIN SUP. RIGHT | TÜRANGEL RECHTS |
| FORNI TAV. 727 | 2 | 161169 | GR. VETRO INT. SX/DX | C/PORTE DU FOUR GAUCHE | C/OVEN DOOR LEFT | C/OFENTÜR LINKS |
| FORNI TAV. 727 | 3 | 161161 | AS.PORTA F.SX | PORTE DU FOUR GAUCHE | OVEN DOOR LEFT | OFENTÜR LINKS |
| FORNI TAV. 727 | 3-1 | 161570 | AS.PORTA F.DX | PORTE DU FOUR DROITE | OVEN DOOR RIGHT | OFENTÜR RECHTS |
| FORNI TAV. 727 | 4 | 161172 | VETRO ESTERNO SX/DX | VERRE EXTER GAUCHE/DROITE | EXTERNAL GASKET LEFT/RIGHT | EXTERNER GLAS RECHTS/LINKE |
| FORNI TAV. 727 | 5 | 161477 | GOMMINO PORTA FORNO | BOUCHON DE LA PORTE | DOOR RUBBER CAP | TÜRGUMMI |
| FORNI TAV. 727 | 6 | 161387 | CERN.INF.P.F.SX | CHARNIÈRE INFÉRIEUR GAUCHE PORTE DU FOUR | INGE PIN INFER.LEFT | TÜRANGEL UNTENLINKS |
| FORNI TAV. 727 | 6-1 | PAFOC00583 | CERN.INF.P.F.DX | CHARNIÈRE INFÉRIEUR DROITE PORTE DU FOUR | INGE PIN INF. RIGHT | TÜRANGEL INF. RECHTS |
| FORNI TAV. 727 | (7) | 160912 | MANIGLIA | POIGNÉE | HANDLE | HANDGRIFF |
| FORNI TAV. 727 | (8) | RTFOC00338 | ANELLO EST.MAN.P.F. | ANNEAU EXT. POIGNÉE PORTE DU FOUR | OUTWARD RING OVEN DOOR HANDLE | HANDGRIFF |
| FORNI TAV. 727 | (9) | 160911 | BASETTA MANIGLIA | EPAISSEUR POIGNÉE | HANDLE | HANDGRIFF |
| FORNI TAV. 727 | (10) | RTFOC00337 | ANELLO INT.GRADINO MAN.P.F. | ANNEAU INTERIEUR EPAISSEUR | INNER RING | INNENRING |
| FORNI TAV. 727 | 11 | 161176 | AS. CASSETTO SX INT. P.F. | GROUPE BASSIN GAUCHE | UNIT DRAWER LEFT | GRUPPE SCHUBLADE LINKE |
| FORNI TAV. 727 | 11-1 | 161566 | AS. CASSETTO DX INT. P.F. | GROUPE BASSIN DROITE | UNIT DRAWER RIGHT | GRUPPE SCHUBLADE RECHTS |
| FORNI TAV. 727 | 12 | 161135 | CASSETTO SX | BASSIN GAUCHE | TRAY LEFT | SCHUBLADE LINKS |
| FORNI TAV. 727 | 12-1 | 161574 | CASSETTO DX | BASSIN DROITE | TRAY RIGHT | SCHUBLADE RECHTS |
| FORNI TAV. 727 | 13 | RTFOC00413 | PIEDINO+T.OTTAG. | PIED | FOOT | FUSS |
| FORNI TAV. 727 | (14) | RTFOC00711 | MICROINT. | MICRO-INTERRUPTEUR PORTE DU FOUR | MICRO OVEN DOOR | MIKRO OFENTÜR |
| FORNI TAV. 727 | 15 | 164775 | AS.CRUSCOTTO | PANNEAU DE CONTRÔLE | CONTROL PANEL | STIRNBRETT |
| FORNI TAV. 727 | 16 | PAFOC00542 | FIANCO DX | CÔTÉ DROITE | RIGHT SIDE | RECHTE SEITE |
| FORNI TAV. 727 | 17 | PAFOC00545 | POSTERIORE INOX | PANNEAU POSTERIEUR | BACK PANEL | HINTEN |
| FORNI TAV. 727 | 18 | GAFOC00196 | AS.COPERCHIO | COUVERCLE EXT. | COVER EXT. | ABDECKUNG |
| FORNI TAV. 727 | 19 | PAFOC00543 | FIANCO SX | CÔTÉ GAUCHE | LEFT SIDE | LINKE SEITE |
| FORNI TAV. 727 | 20 | 161152 | AS. GHIERA BLOCCO VETRO | GROUPE BAGUE BLOCAGE VERRE | UNIT LUCKING GLASS NUT | GRUPPE GEFESTIGUNGSMUTTER GLAS |
| FORNI TAV. 727 | 21 | GAFOC00027 | AS.C/FORO CASS. | COUVRE TROU | PLUG | LOCHABDECKUNGSPFROPFEN |
| FORNI TAV. 727 | 22 | RTFOC00555 | AT.GRIGLIA LAT.F. | ATTAQUE GRILLE LATÉRALE | GRILL CONNECTION SIDE | GRILLAUFBLAGE SEITE |
| FORNI TAV. 727 | 23 | RTFOC00476 | ASTA TRAS.SCA.COND. | BARRE TRANSVERSAL | ROD TRANSVERS. | STAB |
| FORNI TAV. 727 | 24 | RTFOC00507 | ASTA ANT.SCA.COND. | BARRE ANTÉRIEUR | ROD ANTERIOUR | STAB VORNE |
| FORNI TAV. 727 | 25 | 161660 | MANOP.COND.FCV. | BOUTON | KNOB | DREHGRIFF |
| FORNI TAV. 727 | 26 | RTFOC00382 | *CORNICE FIS.VETRO P/LAMP. | CADRE DU PORTELAMPE | MOULDING P/LAMP | UMRAHMUNG P/LAMPE |
| FORNI TAV. 727 | 27 | 161283 | GUARNIZIONE P/LAMPADA | GARNITURE DU PORTELAMPE | GASKET P/LAMP | DICHTUNG P/LAMPE |
| FORNI TAV. 727 | 28 | RTFOC00201 | *VETRO P/LAMPADA | VERRE DU PORTELAMPE | GLASS P/LAMP | GLAS P/LAMPE |
| FORNI TAV. 727 | 29 | RTFOC00036 | PORTA LAMPADA | PORTELAMPE | DOOR LAMP | PORTA LAMPE |
| FORNI TAV. 727 | (30) | RTFOC00037 | LAMPADA | LAMPE | LAMP | LAMPE |
| FORNI TAV. 727 | 31 | RTFOC00009 | GANCIO | CROCHET | HOOK | HAKEN |
| FORNI TAV. 727 | 32 | RTFOC00005 | ZOCCOLO ESTERNO | GODET EXTÉRIEUR | OUTWARD BASE | SOCKEL AUSSEN |
| FORNI TAV. 727 | (33) | GAFOC00051 | SERRATURA | SERRURE | LOCK | SCHLOSS |
| FORNI TAV. 727 | 34 | RTFOC00057 | ZOCCOLO CENTRALE | GODET CENTRAL | CENTRAL BASE | SOCKEL ZENTRAL |
| FORNI TAV. 727 | 35 | 161513 | MOLLA FERMO GHIERA | RESSORT DE LA SERRURE DU VIROLE | FERRULE LOCK SPRING | FEDER DES MUTTER-SCHLOSSES |
| FORNI TAV. 727 | 36 | RTMIN00114 | DADO CECO | ECROU | NUT | MUTTER |
| FORNI TAV. 727 | 37 | 161166 | AS. PROTEZIONE SERRATURA SX | GROUPE PROTECTION SERRURE GAUCHE | UNIT LEFT LOCK PROTECTION | GRUPPE SHUTZSCHLOSS LINKE |
| FORNI TAV. 727 | 37-1 | 161581 | AS. PROTEZIONE SERRATURA DX | GROUPE PROTECTION SERRURE DROITE | UNIT RIGHT LOCK PROTECTION | GRUPPE SHUTZSCHLOSS RECHTZ |
| FORNI TAV. 727 | 38 | 161411 | GUARNIZIONE CRUSCOTTO | GARNITURE PANNEAU DE CONTRÔLE | CONTROL PANEL GASKET | DICHUNGSTIRNBRETT |
| FORNI TAV. 727 | (39) | RTFOC00722 | GUARNIZIONE FACCIATA | GARNITURE DEVANTURE | GASKET FACE | DICHTUNG OFENVORDERWAND |
| FORNI TAV. 727 | 40 | RTFOC00514 | DISTANZ.INF/SUP SERR.FGC060/1 | ENTRTOISE | SPACER | DISTANZSTÜCK |
| FORNI TAV. 727 | 41 | RTFOC00515 | DISTANZ.CENT.SERR.FGC060/1 | ENTRTOISE | SPACER | DISTANZSTÜCK |

○ = RICAMBI CONSIGLIATI - RECOMMENDED SPARE PARTS



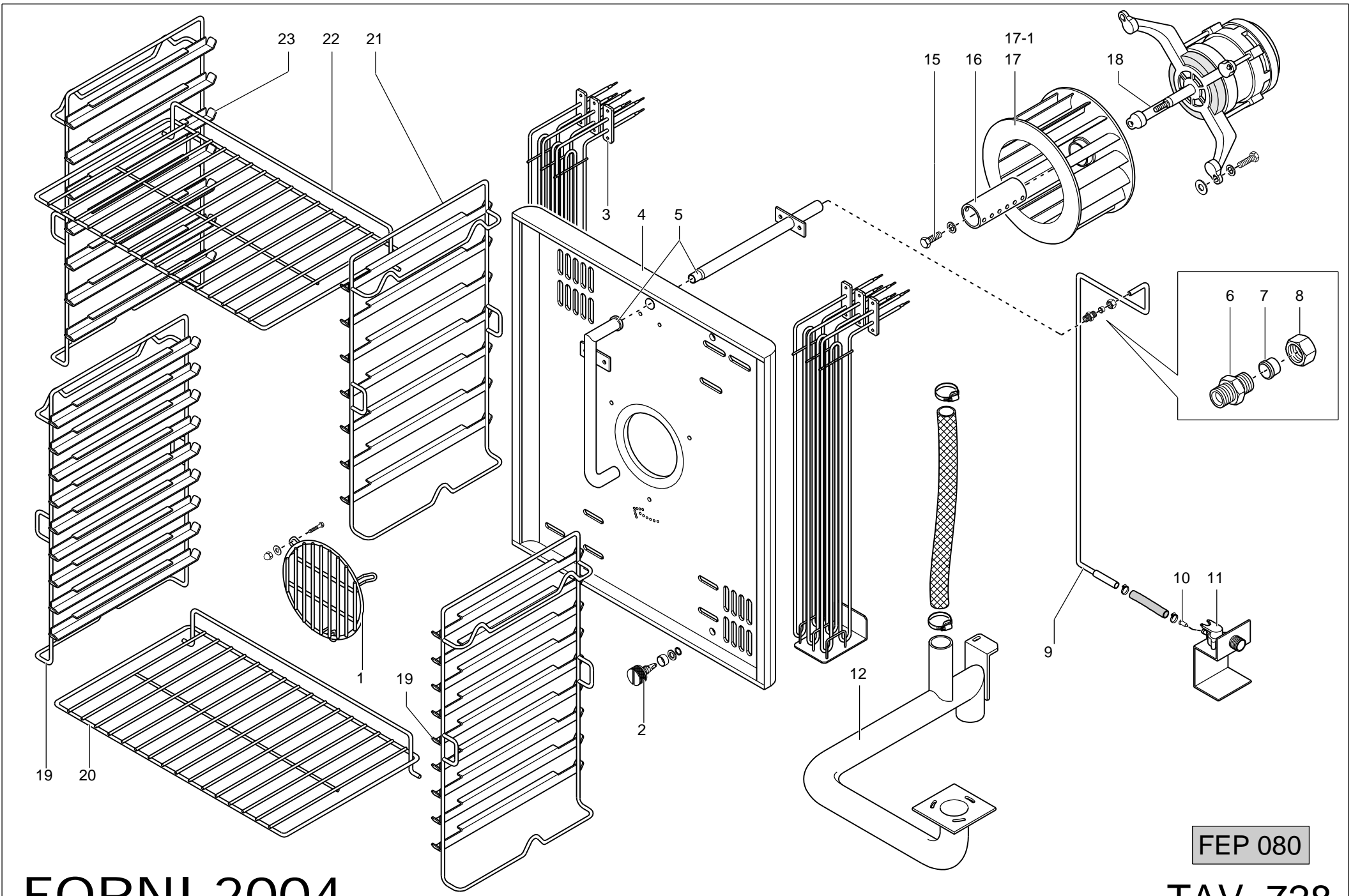
FORNI 2004

FEP 080

TAV. 729

| TAVOLA | POS. | CODICE | ITALIANO | FRANCESE | INGLESE | TEDESCO |
|----------------|------|------------|------------------------|------------------------------|--------------------------|----------------------------------|
| FORNI TAV. 729 | 1 | 164761 | MANOPOLA | BOUTON | KNOB | DREHGRIF |
| FORNI TAV. 729 | 2 | RTCU800066 | REGOLATORE DI ENERGIA | REGOLATEUR DE ENERGIE | POWER REGULATOR | REGLE ENERGIE |
| FORNI TAV. 729 | 3 | RTCU900072 | LAMP.SP.GIALLA | LAMPE TÉMOIN JAUNE | YELLOW WARNING LAMP | GELBE KONTROLLEUCHTE |
| FORNI TAV. 729 | (4) | RTFOC00694 | COMM. | COMMUTATEUR | COMMUTATOR | KOMMUTATORGRIF |
| FORNI TAV. 729 | (5) | RTFOC00030 | TIMER 50HZ | TIMER 50HZ | TIMER 50HZ | TIMER 50HZ |
| FORNI TAV. 729 | 5-1 | RTFOC00185 | TIMER 60HZ | TIMER 60HZ | TIMER 60HZ | TIMER 60HZ |
| FORNI TAV. 729 | (6) | RTFOC00029 | TERMOSTATO ELETTRONICO | THERMOSTAT ELECTRONIQUE | THERMOSTAT ELETTRONICO | ELEKTRONIKTERMOSTAT |
| FORNI TAV. 729 | 7 | RTFOC00362 | PULSANTE 2VELOC. BIP. | BOUTON DOUBLE VITESSE | PUSHBUTTON DOPPIA VELOC. | SCHALTER DOPELTE GESCHWINDIGKEIT |
| FORNI TAV. 729 | 8 | RTFOC00387 | PULSANTE LUCE | BOUTON LUMIÈRE DU FOUR | PUSHBUTTON LIGHT OVEN | SCHALTER LICHT HERD |
| FORNI TAV. 729 | (9) | RTFOC00483 | T.L. T350 | THERMOSTAT LIMITEUR | THERMOSTAT LIMIT. OVEN | LIMIT THERMOSTAT |
| FORNI TAV. 729 | 10 | RTFOC00053 | CONDENSATORE MF450 | CONDENSATEUR | CONDENS. MOTOR | CONDENS. MOTOR |
| FORNI TAV. 729 | 11 | RTFOC00042 | CICLATORE 50HZ | IMPULSION DONNEURS 50 HZ | IMPULSE GIVER 50 HZ | IMPULSGEBER 50 HZ |
| FORNI TAV. 729 | 11-1 | RTFOC00184 | CICLATORE 60HZ | IMPULSION DONNEURS 60 HZ | IMPULSE GIVER 60 HZ | IMPULSGEBER 60 HZ |
| FORNI TAV. 729 | 12 | RTFOC00284 | FUSIBILE 6,3 A | FUSIBLE 6,3 A | FUSIBLE 6,3 A | SICHERUNG 6,3 A |
| FORNI TAV. 729 | 13 | RTFOC00048 | P/FUSIBILE+PIAS. | PORTE-FUSIBLES | FUSE HOLDER | SICHERUNGSHALTER |
| FORNI TAV. 729 | 14 | RTBF900045 | MORSETTIERA | GROUPE DE CONNECTION 6 POLES | TERMINAL BLOCK 6 POLES | KLEMMBRETT 6 POLIG |
| FORNI TAV. 729 | 15 | RTFOC00469 | CONTATTI A. | AUXILIAIRE CONTACT | AUXILIARY CONTACT | HILFSANSCHLÜSSE |
| FORNI TAV. 729 | 16 | RTFOC00466 | RELAIS | RELAIS | RELAY | RELAIS |
| FORNI TAV. 729 | 17 | RTFOC00023 | A/DISTURBO | ANTI-PERTURBATION | ANTIJAMMING FILTER | FILTER A/STÖRUNG |
| FORNI TAV. 729 | 18 | 164608 | RELAIS | RELAIS | RELAY | RELAIS |
| FORNI TAV. 729 | (19) | RTFOC00046 | RONZATORE | SONNETTE | ALLARM | SUMMER |
| FORNI TAV. 729 | 20 | RTFOC00039 | TRASF. | TRANSFORMATEUR | TRASFORMATORE | TRASFORMATORE |
| FORNI TAV. 729 | 21 | RTFOC00047 | FUSIBILE DA 100 MA. | FUSIBLE DA 100 MA. | FUSIBLE DA 100 MA. | SICHERUNG 100 MA. |
| FORNI TAV. 729 | 22 | RTFOC00321 | T/COPPIA 52 | THERMOCOUPLE | THERMOELEMENT | THERMOELEMENT |

○ = RICAMBI CONSIGLIATI - RECOMMENDED SPARE PARTS



FORNI 2004

FEP 080

TAV. 728

| TAVOLA | POS. | CODICE | ITALIANO | FRANCESE | INGLESE | TEDESCO |
|----------------|------|------------|-----------------------------------|-----------------------------------|---------------------------|-------------------------------|
| FORNI TAV. 728 | 1 | RTFOC00174 | GRIGLIA PROT.VENT. | GRILLE DE PROTECTION | GRILL IMPELLER PROTECTION | SCHUTZGITTER SCHORNSTEIN |
| FORNI TAV. 728 | 2 | RTFOC00334 | AT.RAPIDO | ATTAQUE RAPIDE | CONNECTION | SCHNELLANSCHLUSS |
| FORNI TAV. 728 | (3) | RTFOC00068 | RESISTENZA ELET. 2,5KW | RESISTANCE ELET. 2,5KW | RESISTANCE ELET. 2,5KW | WIEDERSTAND ELET. 2,5KW |
| FORNI TAV. 728 | 4 | PAFOC00533 | CONV.ARIA | CONVOYEUR DE L'AIR | CHIMNEY | SCHORNSTEIN |
| FORNI TAV. 728 | 5 | RTFOC00492 | TU.UMIDIFICATORE | HUMIDIFICATEUR | HUMIDIFIER | BEFEUCHTER |
| FORNI TAV. 728 | 6 | RTFOC00557 | INIET.UMIDIF.FCV D.1.5 | INJECTEUR HUMIDIFICATEUR | INJECTOR HUMIDIFIER | EINSPRITZER BEFEUCHTER |
| FORNI TAV. 728 | 7 | RTCU900018 | BICONO D.6 | BICONE POUR TUBE Ø 6 | BICONE FOR PIPE Ø 6 | ZWEIKEGEL Ø 6 |
| FORNI TAV. 728 | 8 | RTFOC00020 | CALOTTA UMIDIF. | ECROU | NUT | MUTTER |
| FORNI TAV. 728 | 9 | RTFOC00750 | TU.AL.ACQ.UMIDIF. | TUBE HUMIDIFICATEUR | PIPE HUMIDIFIER | ROHR BEFEUCHTER |
| FORNI TAV. 728 | 10 | RTFOC00120 | REGOLAT.E/VALV.FCV.ROSSO/0,25 | REGULATEUR DE PORTÉE | FLOWREGULATOR | DURCHSTRÖMUNGSREGLER |
| FORNI TAV. 728 | (1) | RTFOC00022 | ELETTRIVALVOLA | SOUPAPE | ELECTRIC VALVE | ELEKTROVENTIL |
| FORNI TAV. 728 | 12 | RTFOC00475 | RAMPA SC.COND. | RAMPE DE DÉCHARGEMENT CONDENSE | RAMP CONDENSE | RAMPE DUNSTABZUG |
| FORNI TAV. 728 | 15 | RTFOC00118 | V.FIS.GIRANTE FCV.M8X31,5/SX | VITE FISSAGGIO GIRANTE | FIXINGSCREW IMPELLER | BEFESATIGUNGSSCHRAUBE LAUFRAD |
| FORNI TAV. 728 | 16 | RTFOC00437 | NEBULIZZATORE FGC065 | NÉBULISATEUR | DISTRIBUTOR | ZERSTÄUBER |
| FORNI TAV. 728 | 17 | RTFOC00517 | GIRANTE VENT.10G D.270 P.R. 50 HZ | MOBILE 50HZ | IMPELLER 50HZ | LAUFRAD 50HZ |
| FORNI TAV. 728 | 17-1 | RTFOC00530 | GIRANTE VENT.10G D270 P.R.60HZ | MOBILE 60HZ | IMPELLER 60HZ | LAUFRAD 60HZ |
| FORNI TAV. 728 | 18 | RTFOC00066 | MOTORE VENT.FEC100 | MOTEUR | MOTOR | MOTOR |
| FORNI TAV. 728 | 19 | RTFOC00527 | GRIGLIA LAT.FCVM/10G INOX | GRILLE LATÉRALE DROITE -GAUCHE | GRILL SIDERIGHT -LEFT | GRILL SEITERECHTS -LINKS |
| FORNI TAV. 728 | 20 | RTFOC00175 | GRIGLIA FORNO GN 1/1 | GRILLE DU FOUR GN 1/1 | GRILL OVEN GN 1/1 | GRILL HERD GN 1/1 |
| FORNI TAV. 728 | 21 | RTFOC00590 | GRIGLIA LAT.DX F. P/8G | GRILLE LATÉRALE DROITE PÂTISSERIE | GRILL SIDERIGHT PASTRY | GRILL SEITE RECHTS KUNSTSTOFF |
| FORNI TAV. 728 | 22 | RTFOC00083 | GRIGLIA PASTIC. | GRILLE PÂTISSERIE | GRILL PASTRY | GRILL GEBÄCK |
| FORNI TAV. 728 | 23 | RTFOC00591 | GRIGLIA LAT.SX F. P/8G | GRILLE LATÉRALE GAUCHE PÂTISSERIE | GRILL SIDELEFT PASTRY | GRILL SEITE LINKS KUNSTSTOFF. |

○ = RICAMBI CONSIGLIATI - RECOMMENDED SPARE PARTS